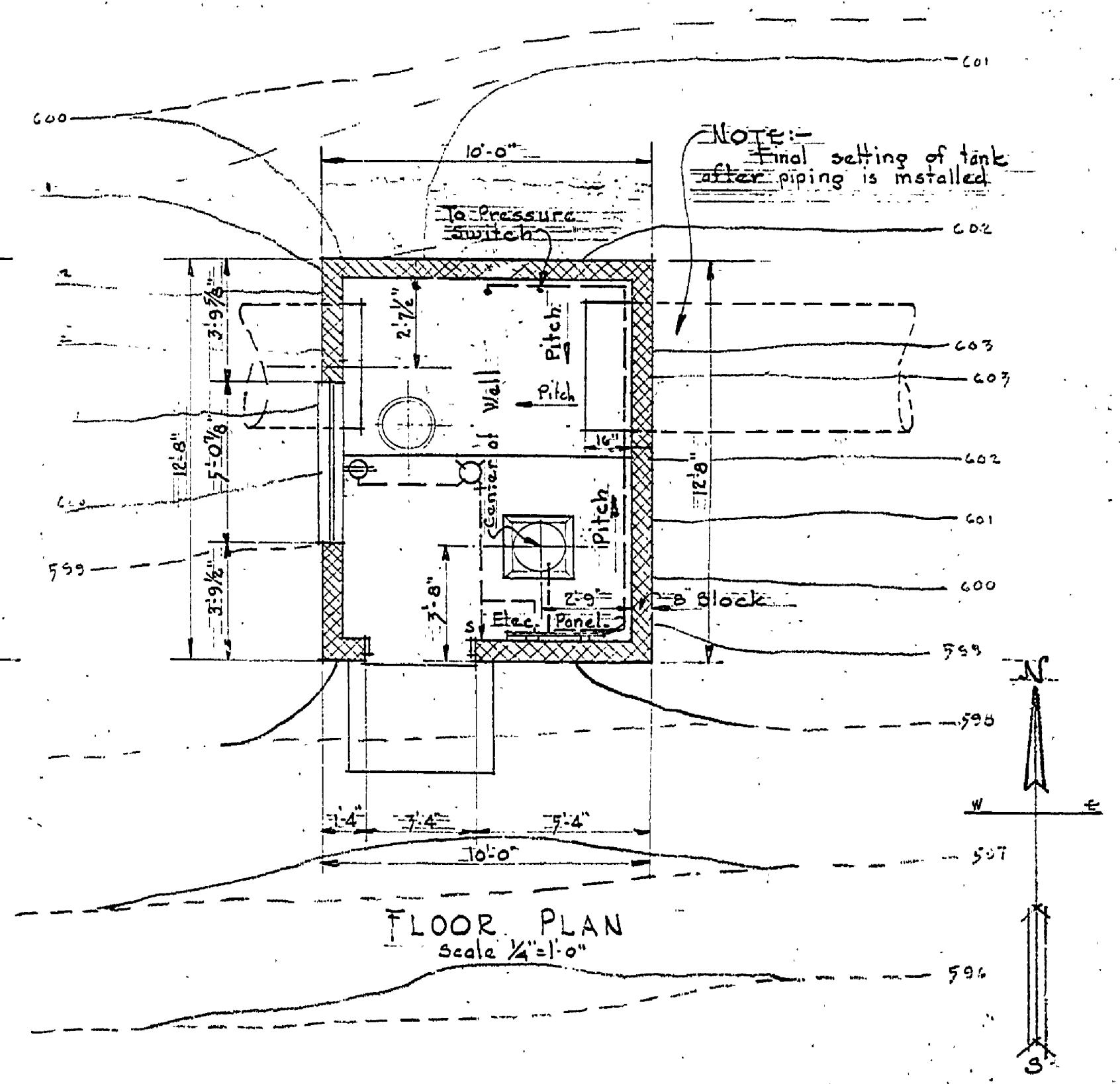
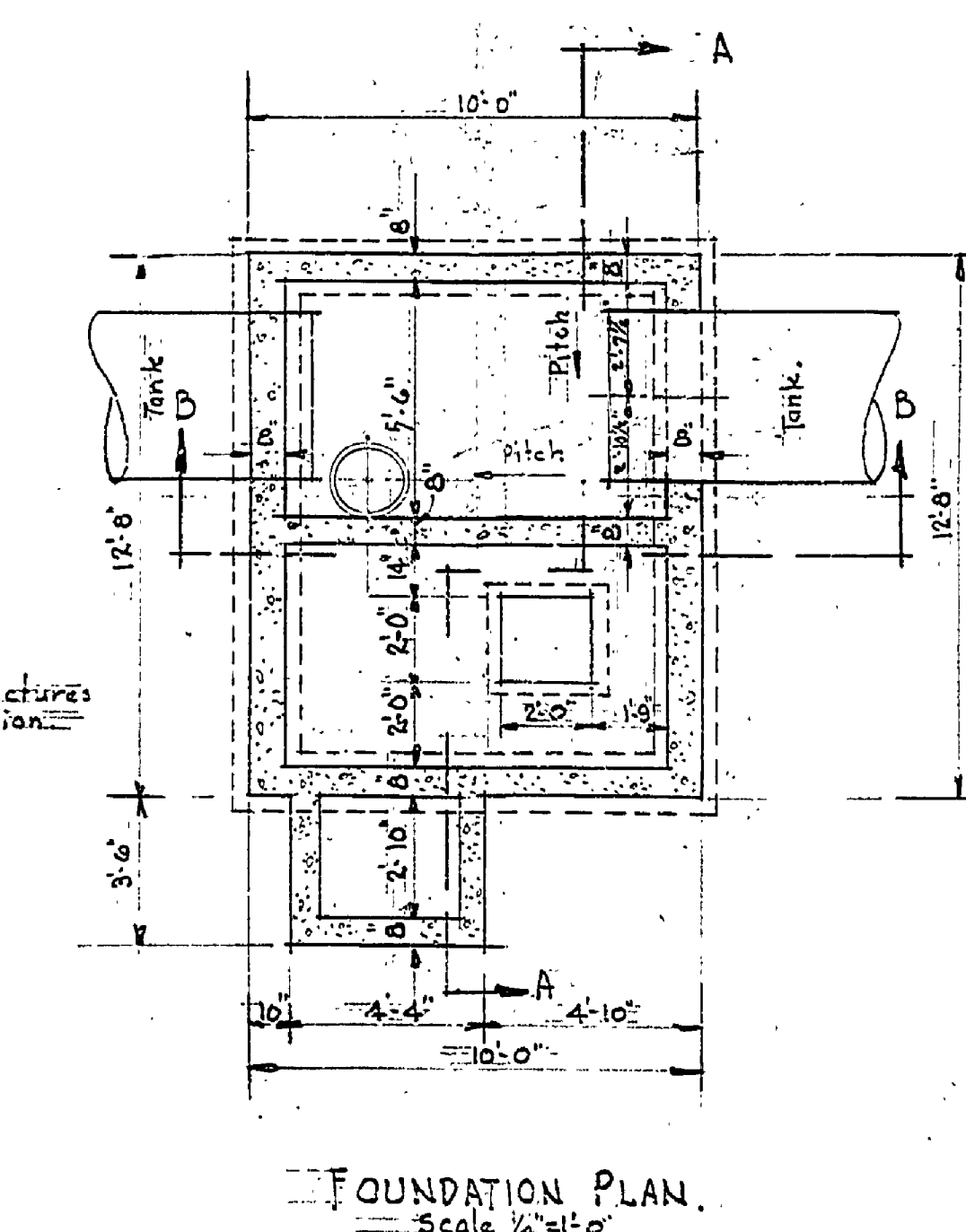
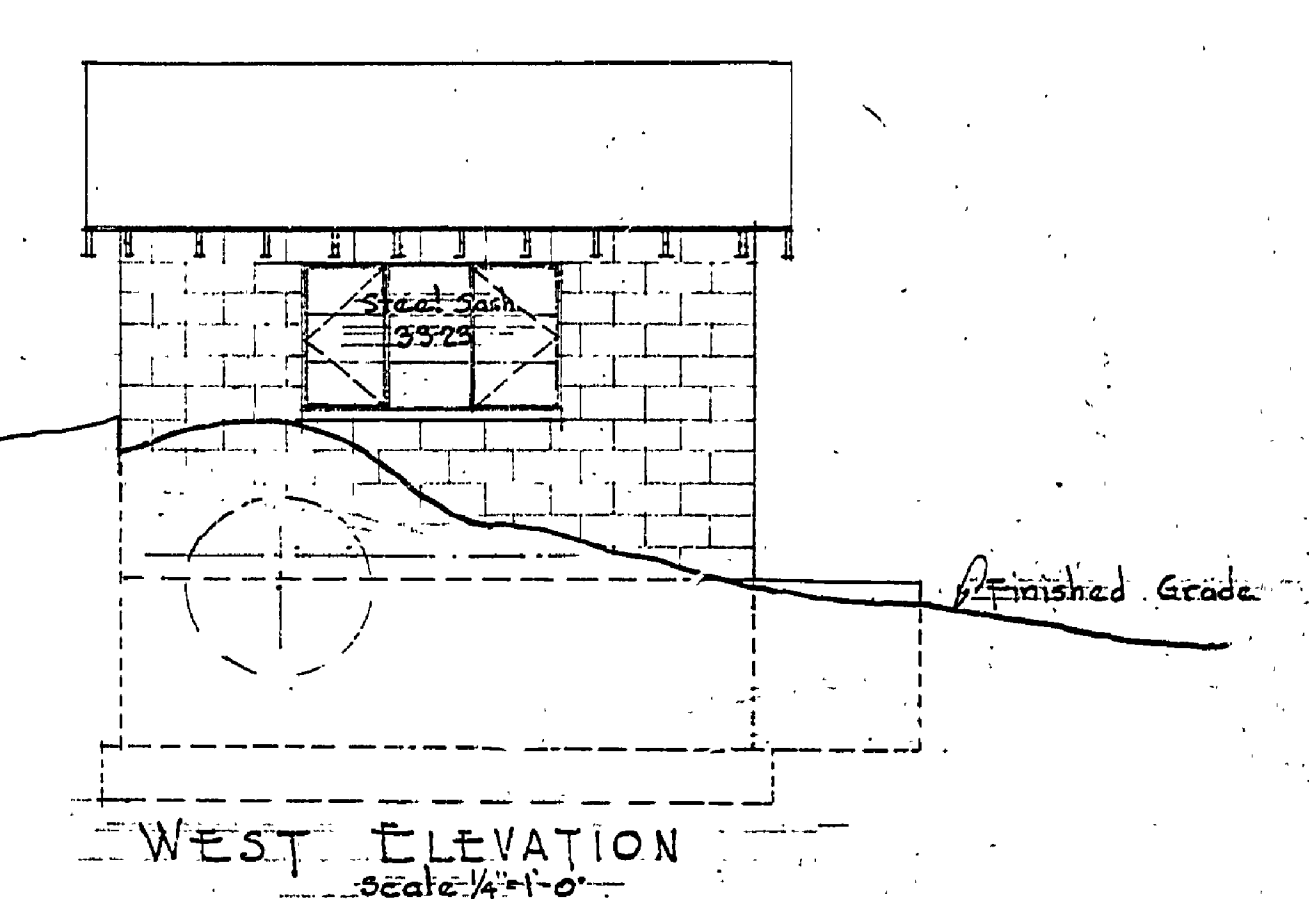
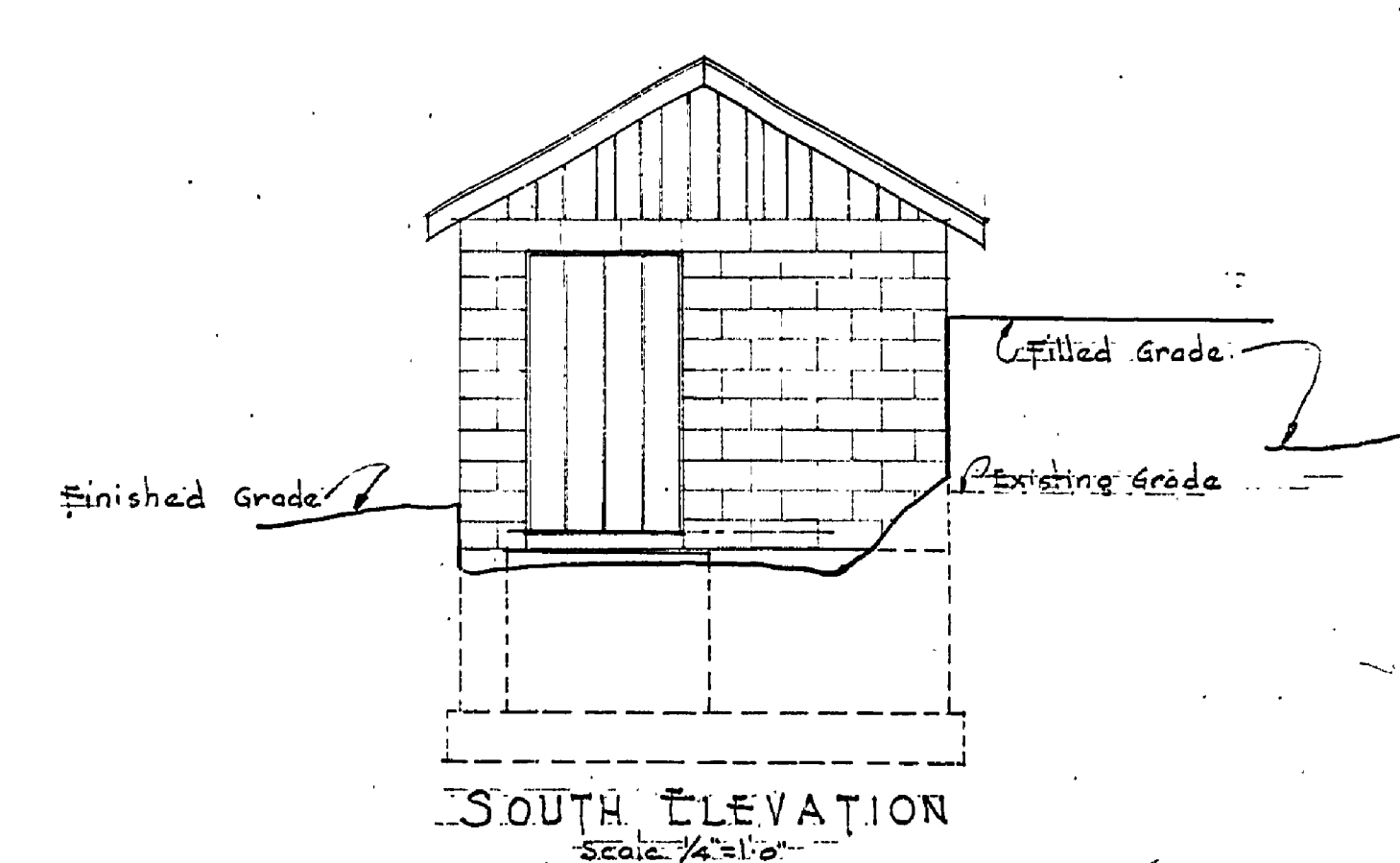
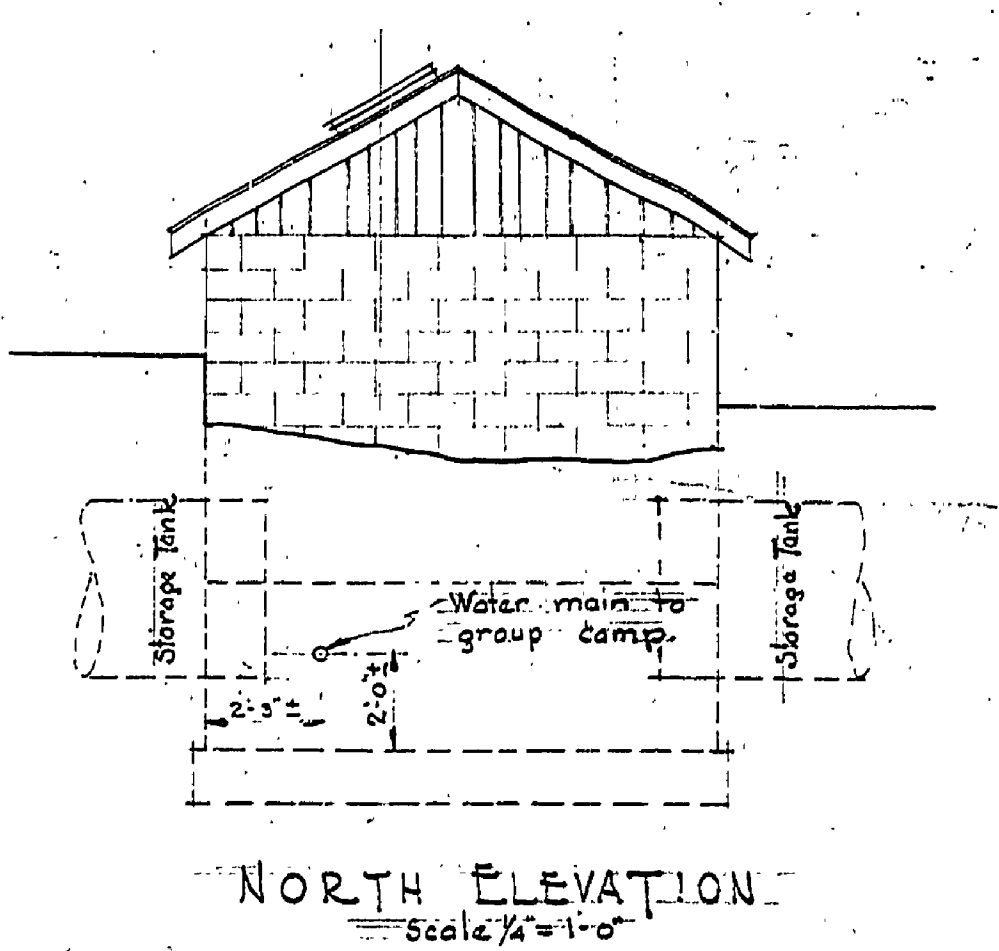
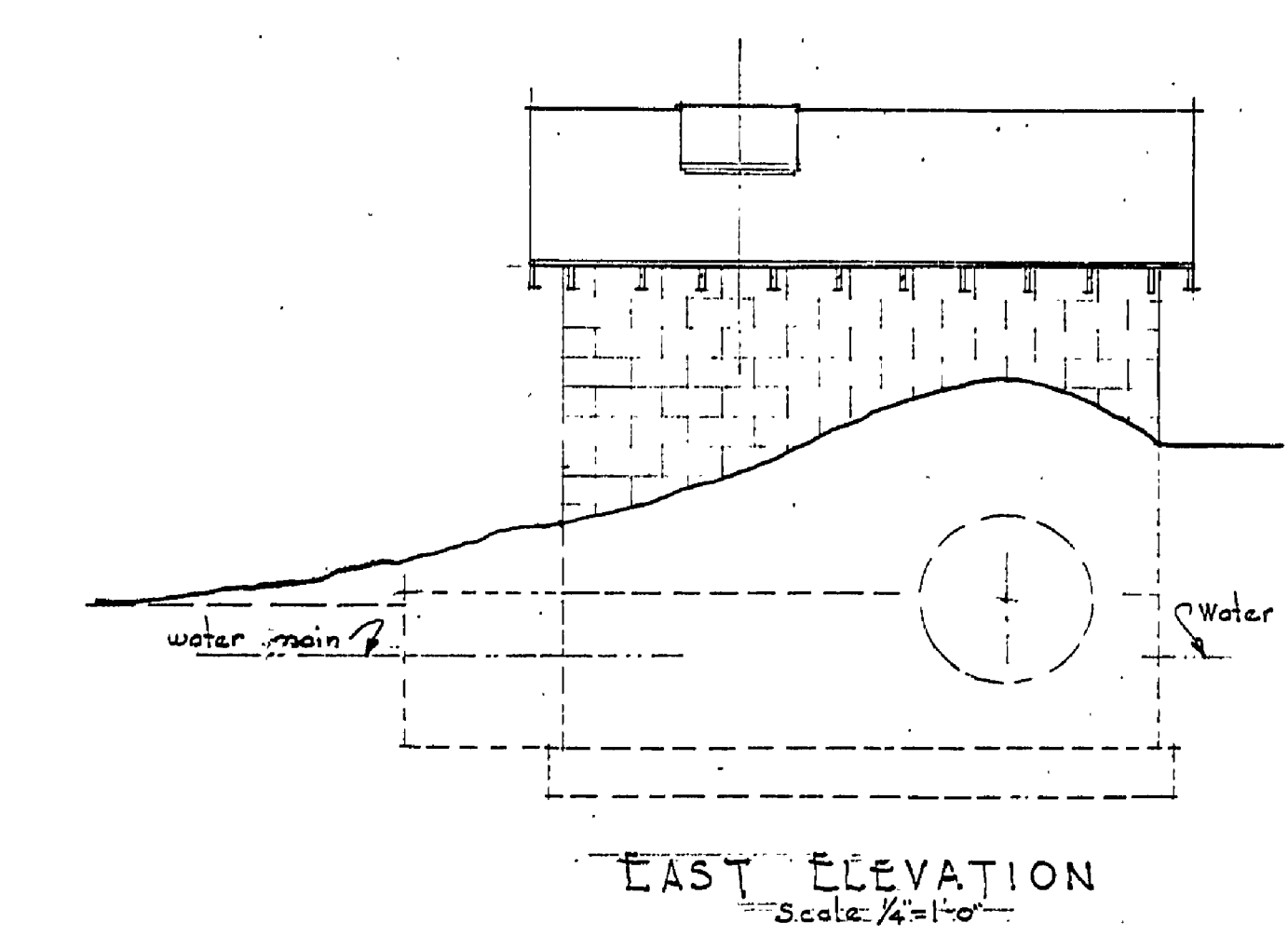
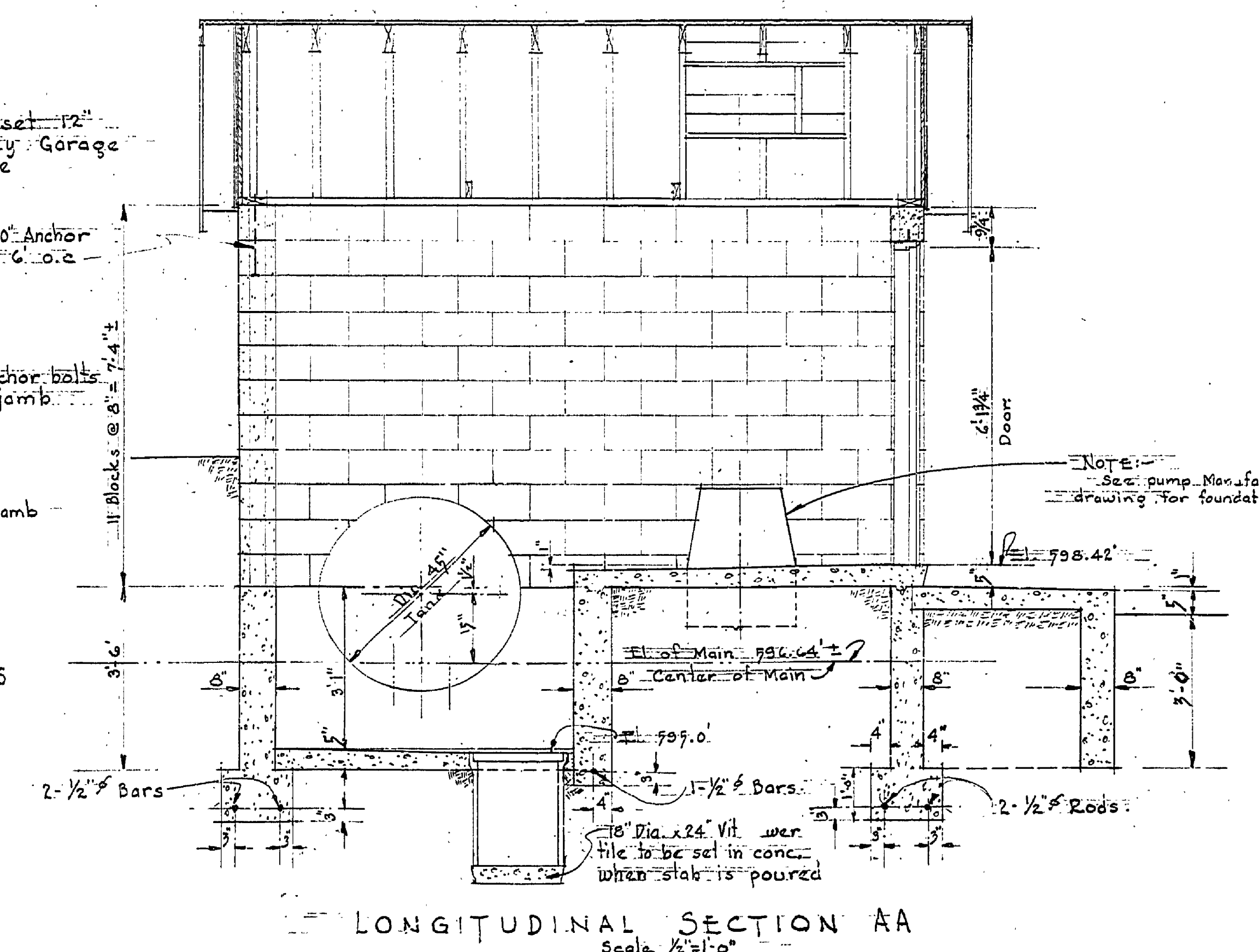
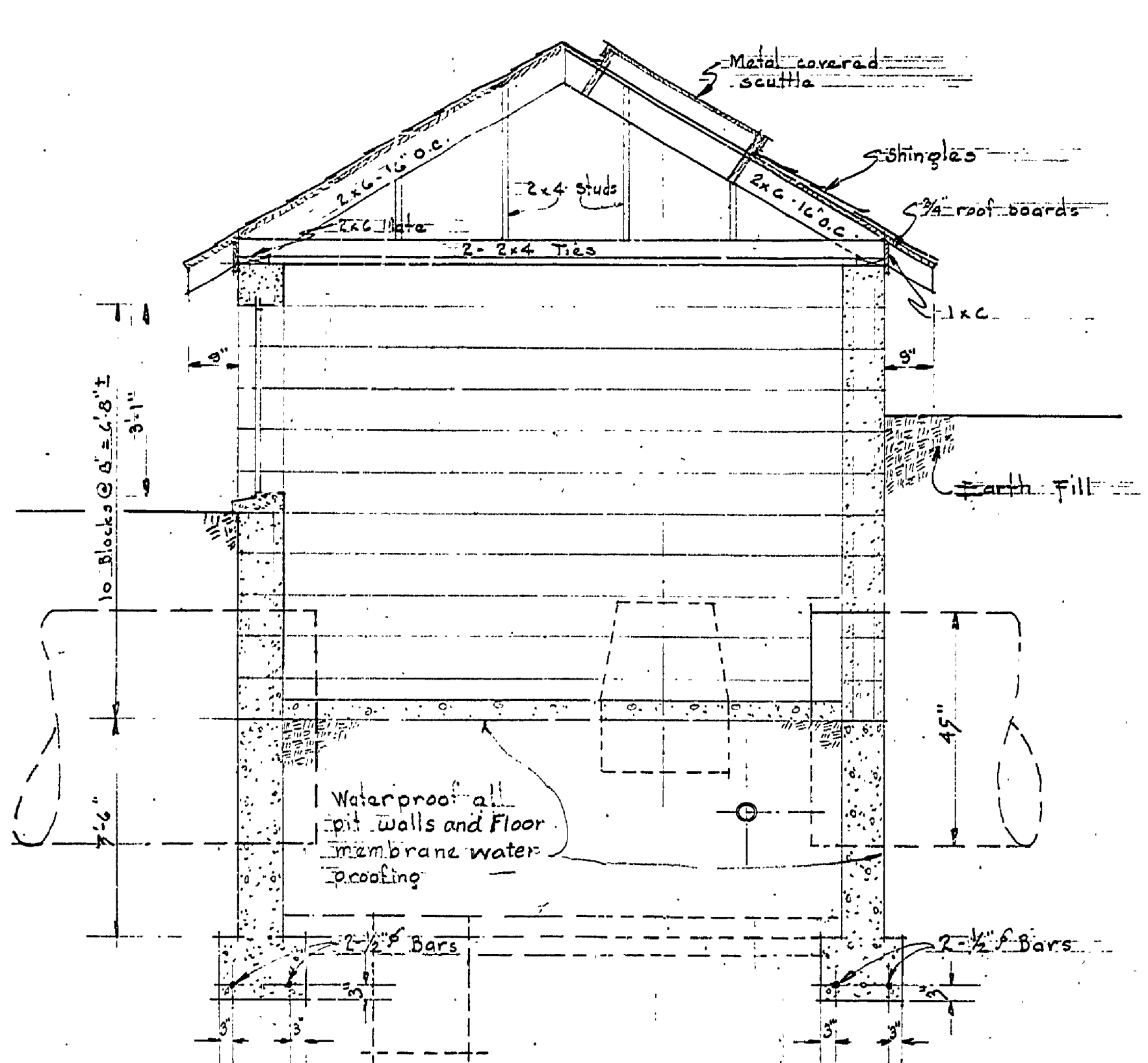
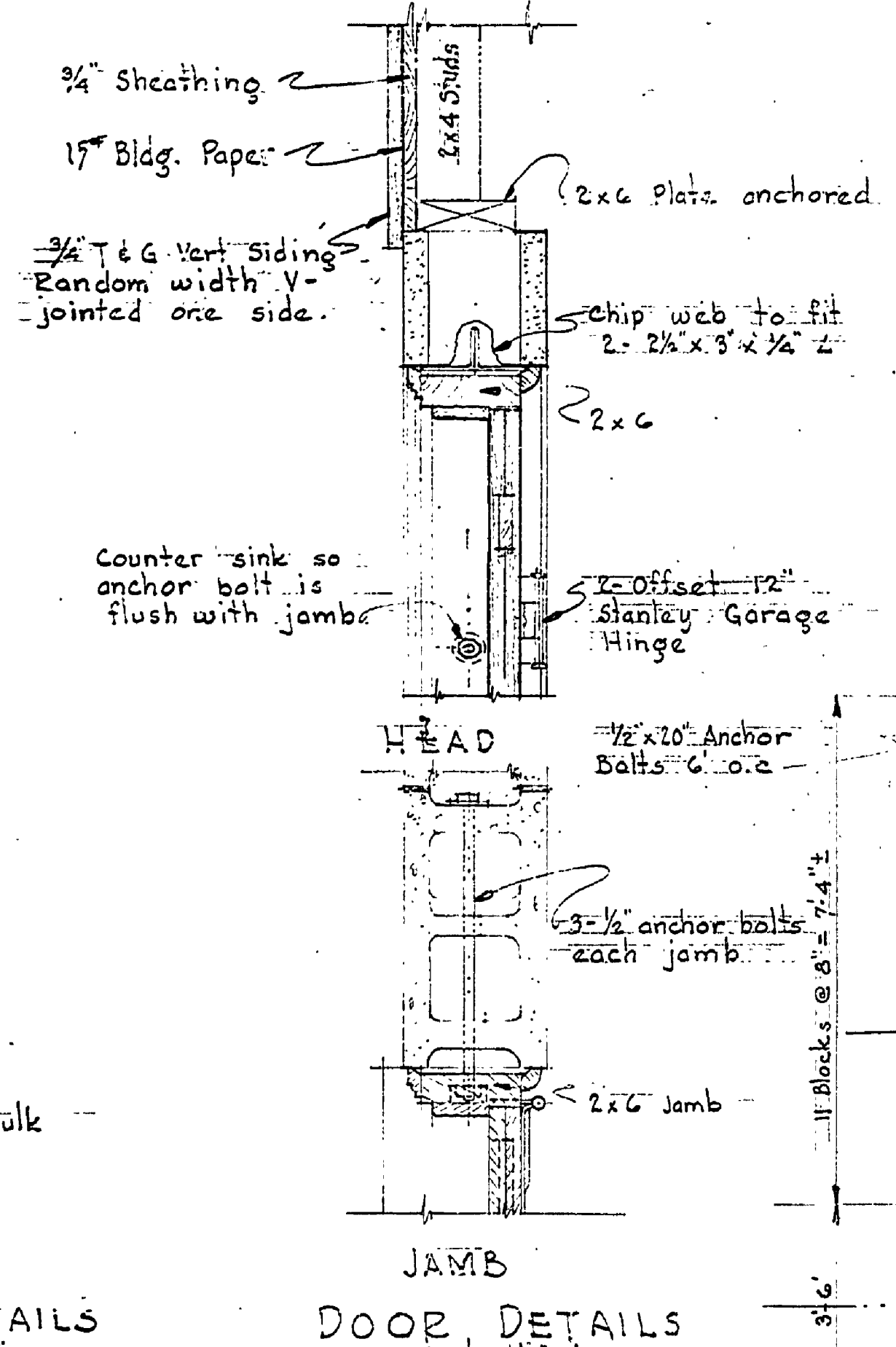
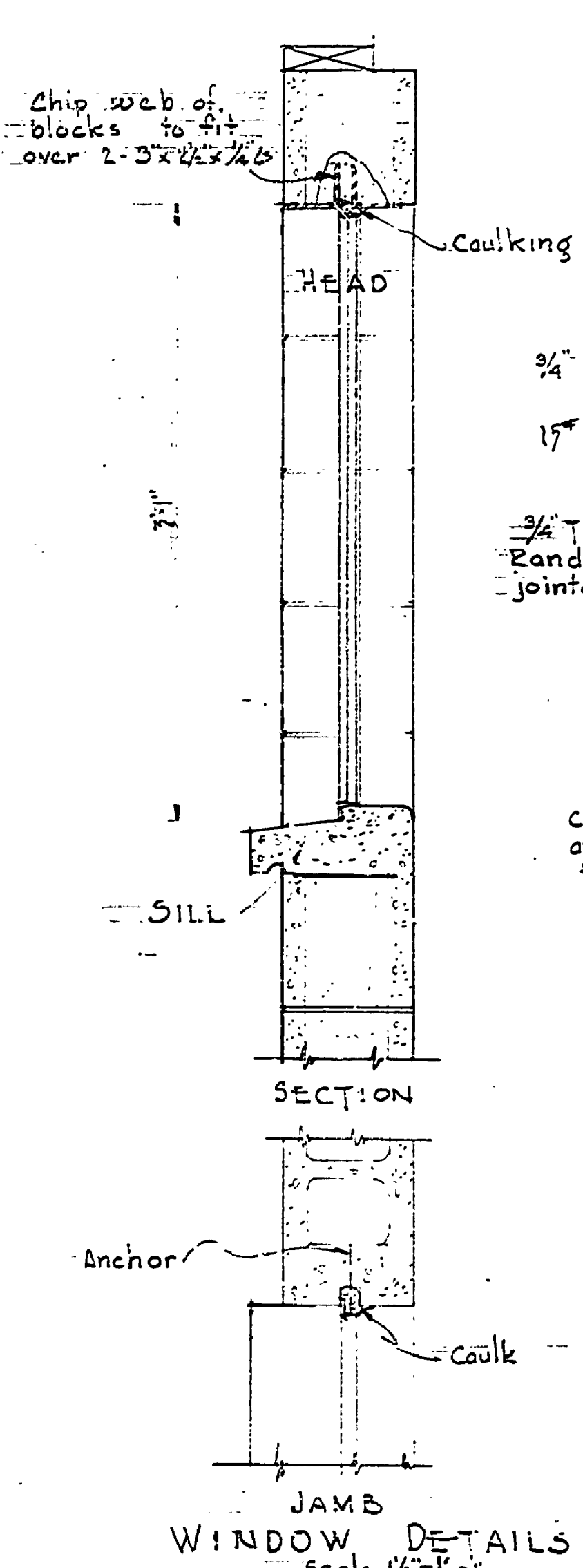
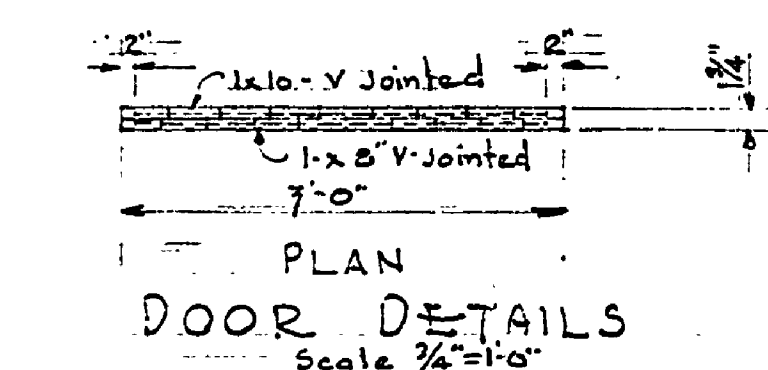
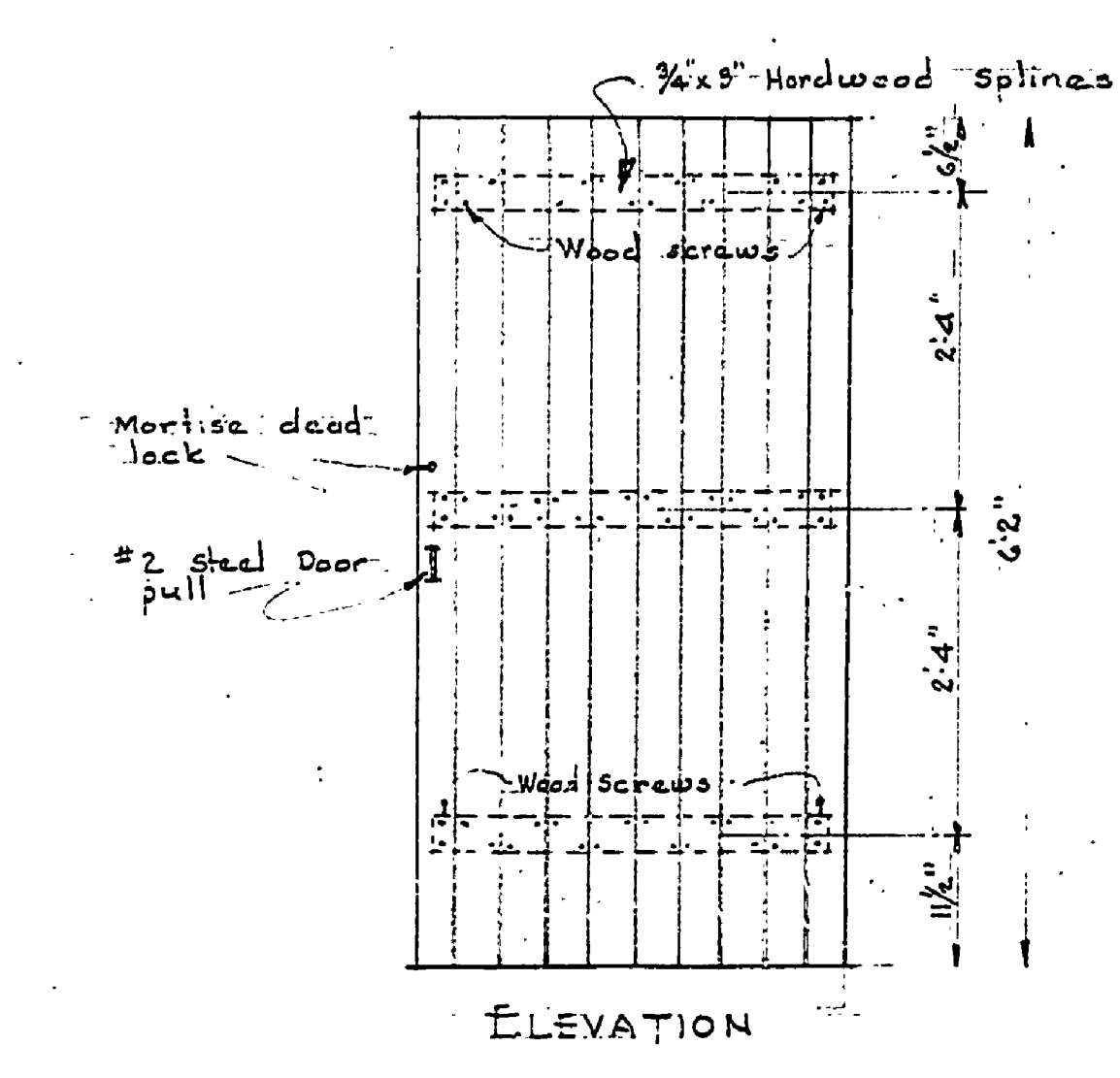


REVISIONS	DATE	BY
4		
5		
6		

NO.	DATE	BY
1		
2		
3		

REVIEWED BY SECTIONS	DATE	APPROVED BY	ASSISTANT CHIEF IN CHARGE	DATE OF DESIGN
ARCHITECTURAL	11-13-42	<i>J. W. F.</i>	<i>J. W. F.</i>	11-13-42
ENGINEERING	11-13-42			
LANDSCAPE	11-13-42			

DRAWN BY	CHECKED BY	DATE
J. W. F.	J. W. F.	11-13-42



MICHIGAN DEPARTMENT OF CONSERVATION STATE PARKS DIVISION

SLEEPER STATE PARK PUMP HOUSE GROUP CAMP

SHEET NO. 1 OF 1 PLAN NO. A-101