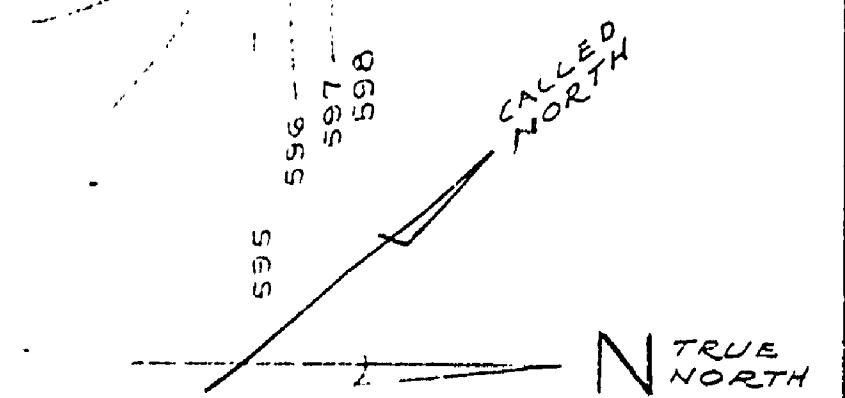
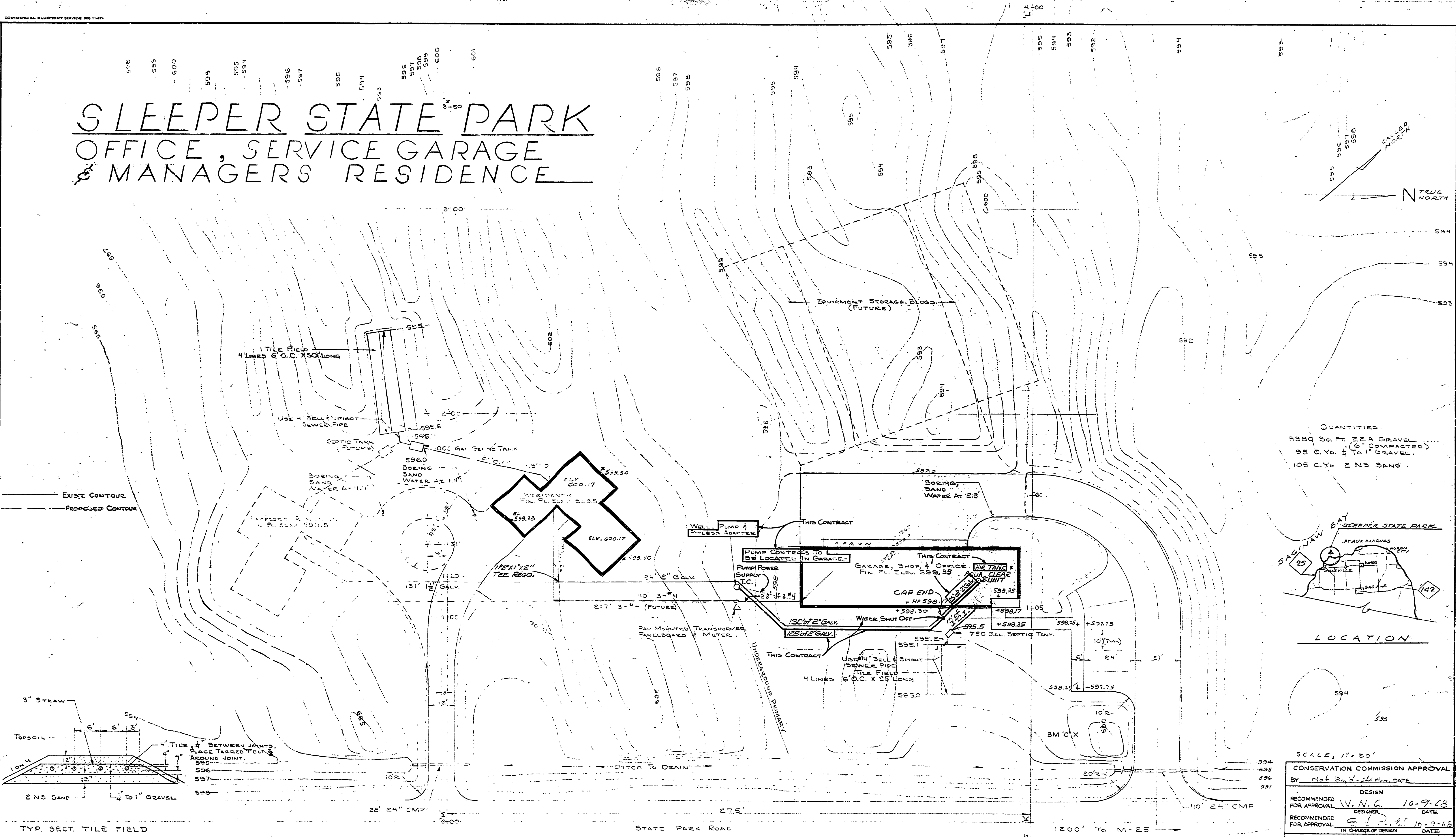
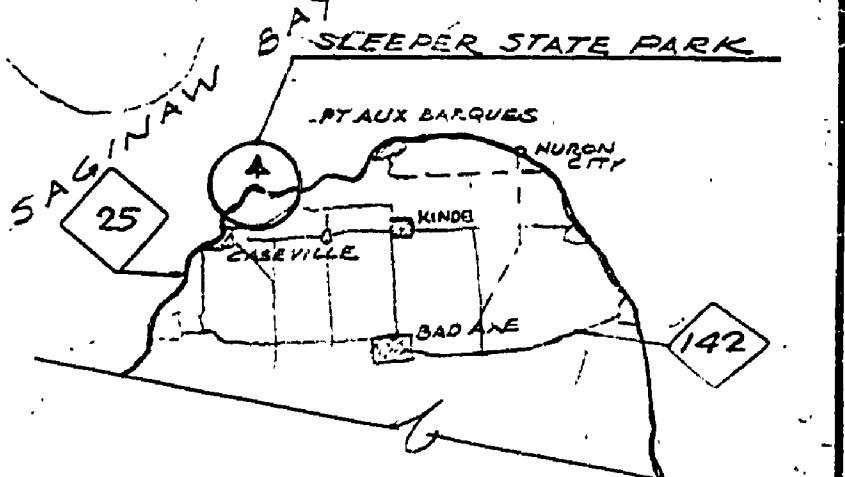


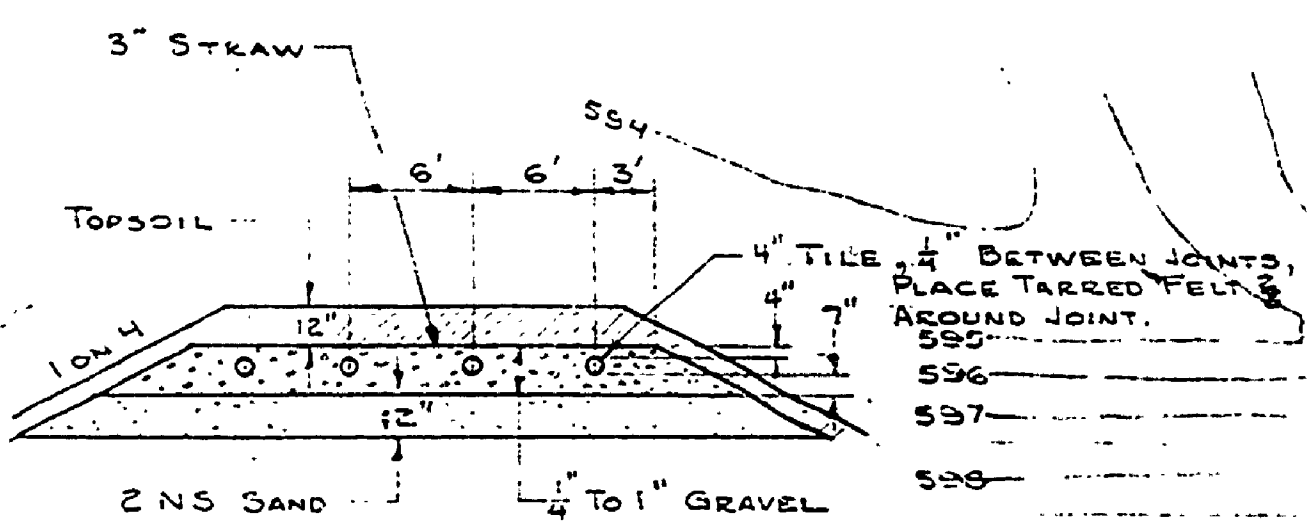
SLEEPER STATE PARK OFFICE, SERVICE GARAGE & MANAGERS RESIDENCE



QUANTITIES.
5380 SQ. FT. 22A GRAVEL
95 C.Y. 4" TO 1" GRAVEL
105 C.Y. 2 NS SAND



LOCATION



TYP. SECT. TILE FIELD

SCALE, 1" = 20'

CONSERVATION COMMISSION APPROVAL	
BY	DATE
DESIGN	
RECOMMENDED FOR APPROVAL	DATE
DESIGNER	DATE
RECOMMENDED FOR APPROVAL	DATE
IN CHARGE OF DESIGN	DATE
DIVISION APPROVAL	
BY	DATE
DIVISION	DATE

MICHIGAN DEPARTMENT OF CONSERVATION
APPROVED: *[Signature]* CHIEF ENGINEER
DATE: 10-15-68

SURVEYED BY	DRAWN BY J.Y. & R.R.	NO.	DATE	BY	REVISIONS	NO.	DATE	BY	REVISIONS
DESIGNED BY	CHECKED BY	1.	8-4-69	JHM	Water Service	3.			
DATE	DATE	2.				4.			