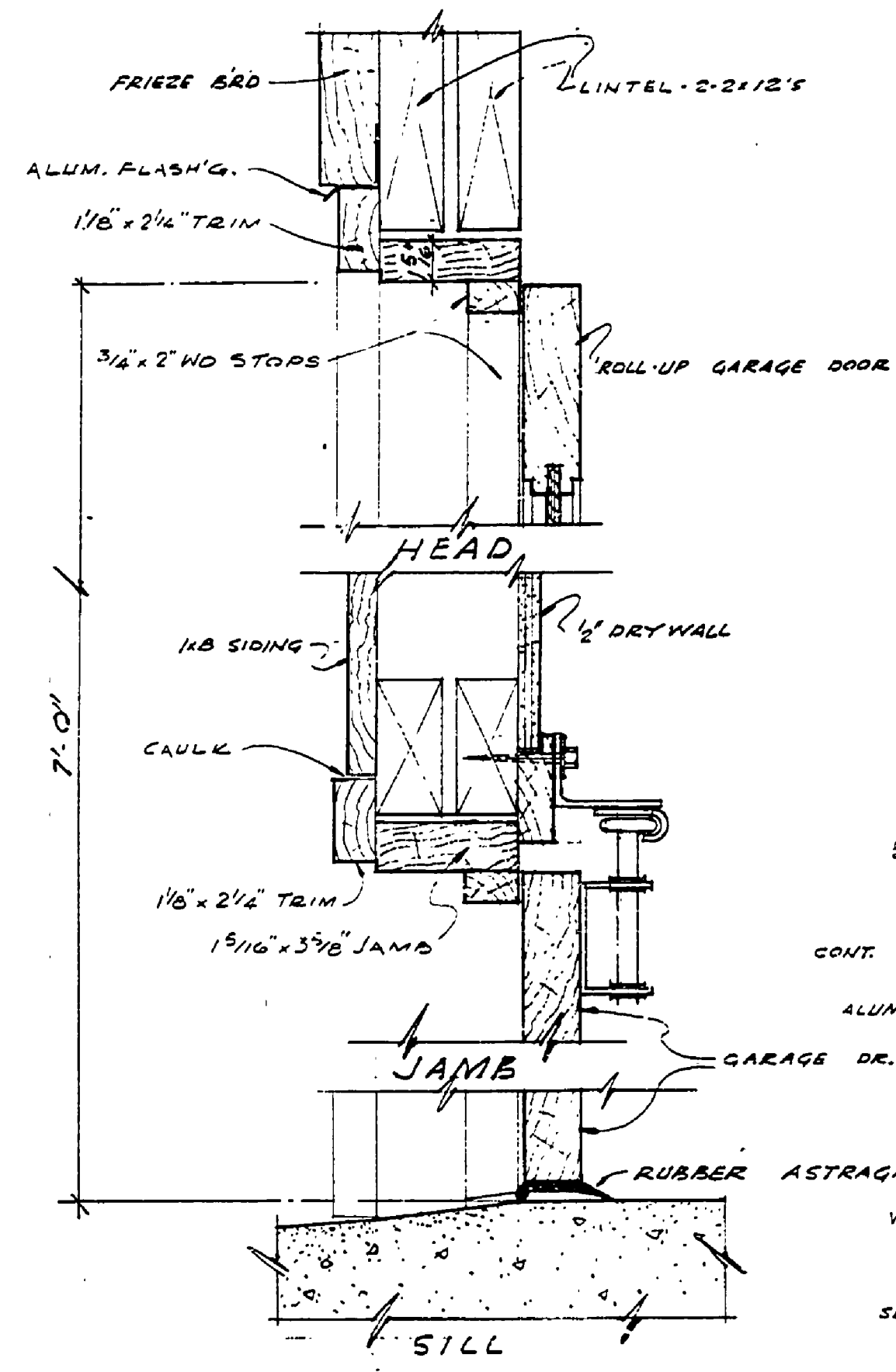
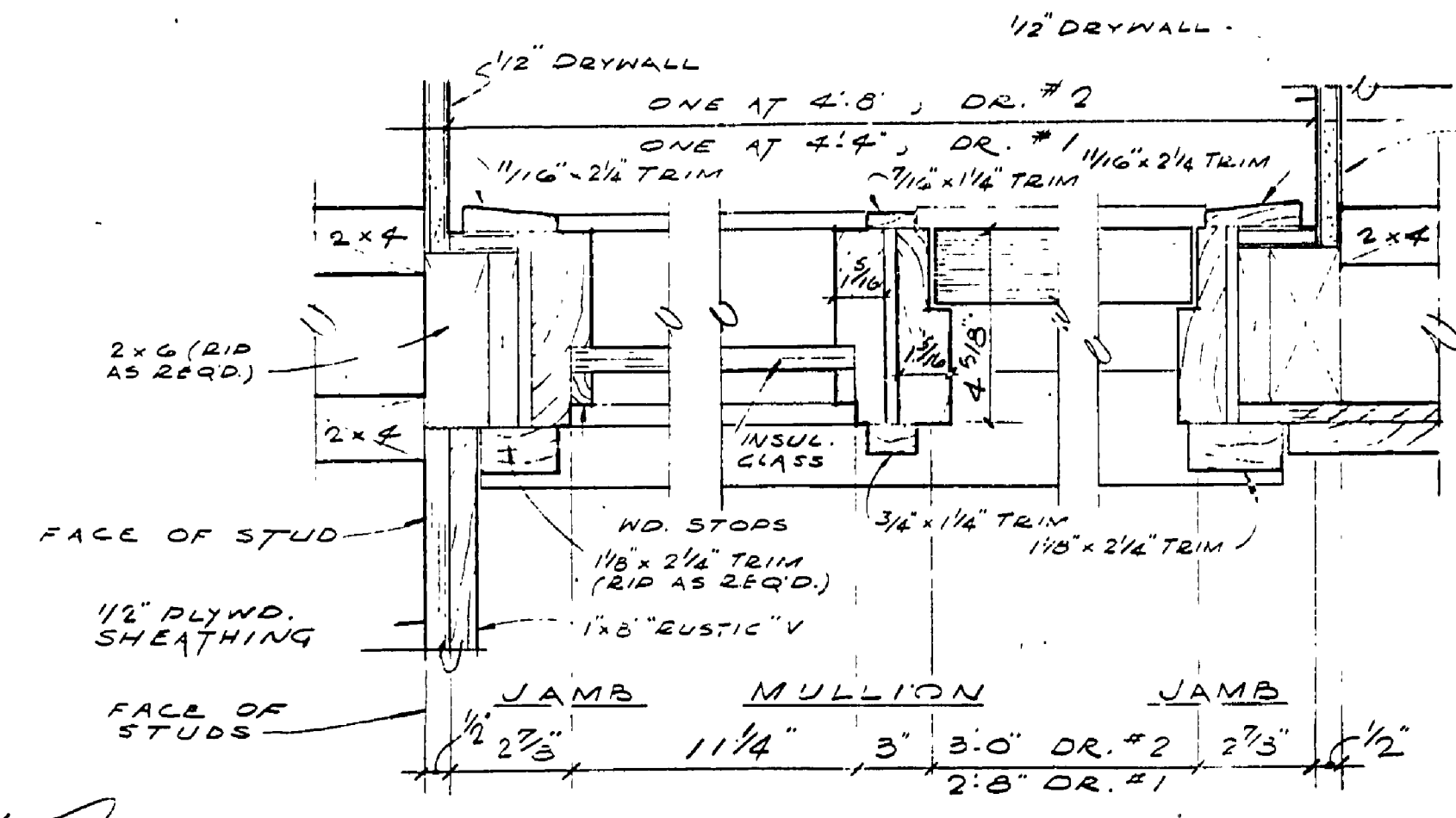


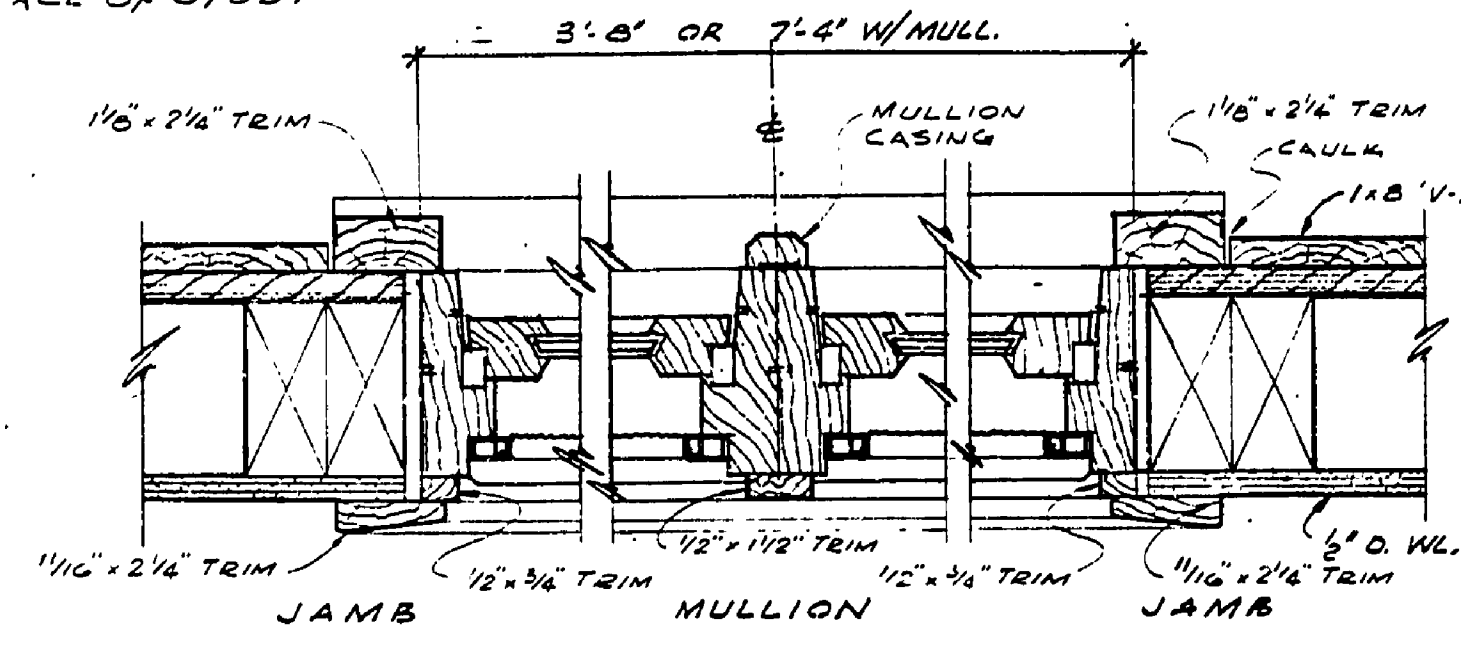
DATE	REVIEWED	DATE	APPROVED	DATE	NO.	DATE	BY	REVISIONS	DATE	BY
DESIGNED BY	ARCHITECTURAL				1			4		
DRAWN BY	ENGINEERING				2			5		
CHECKED BY	LANDSCAPE				3			6		



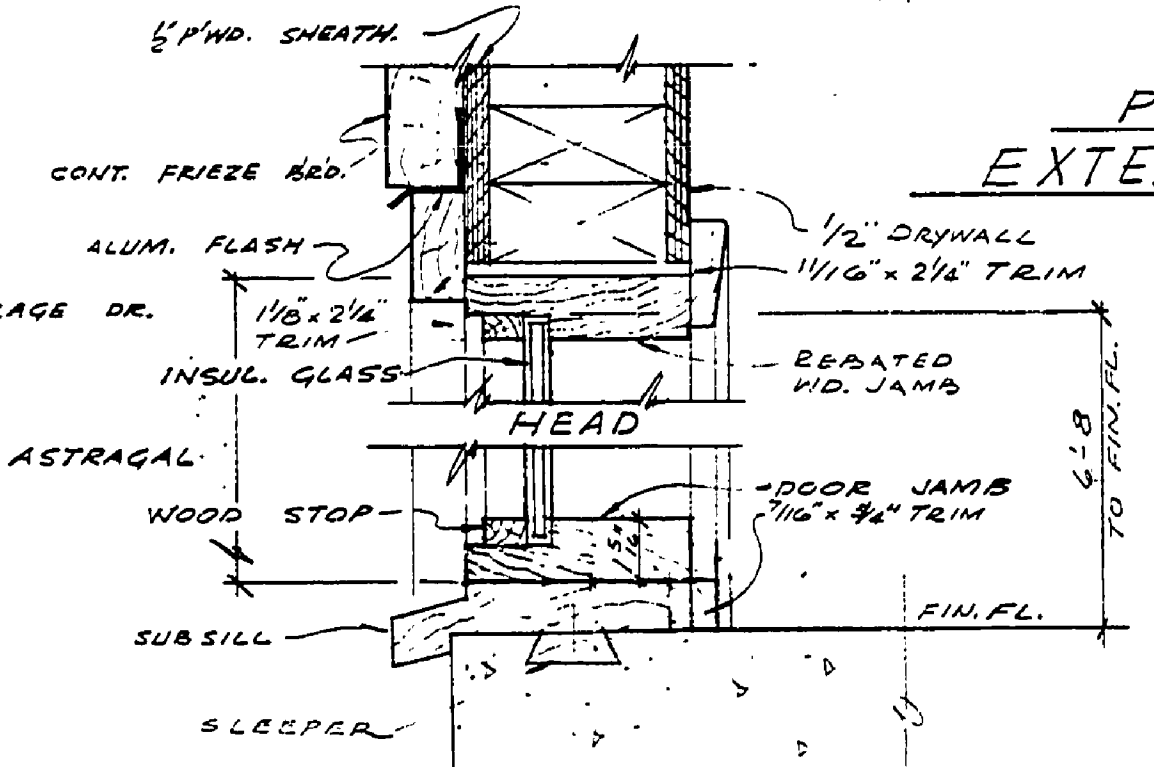
DETAIL GARAGE DOOR



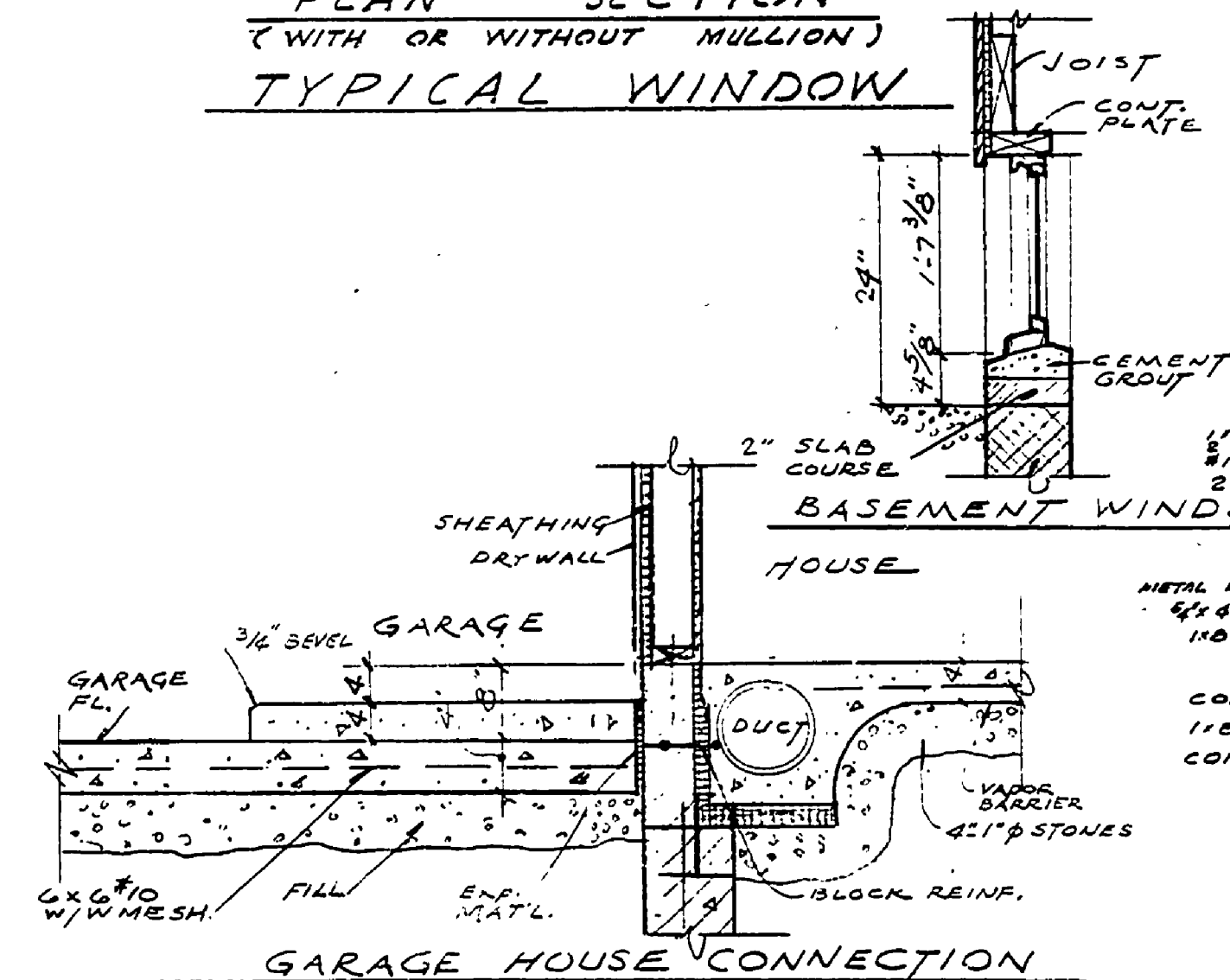
PLAN SECTION EXTERIOR DOOR & SIDELIGHT



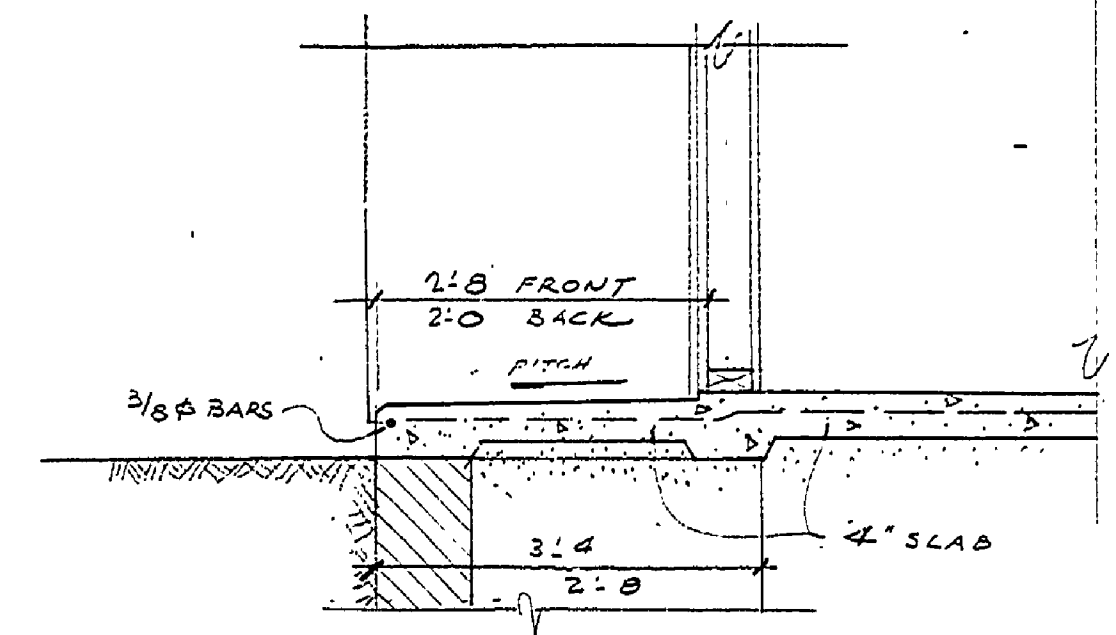
PLAN SECTION TYPICAL WINDOW



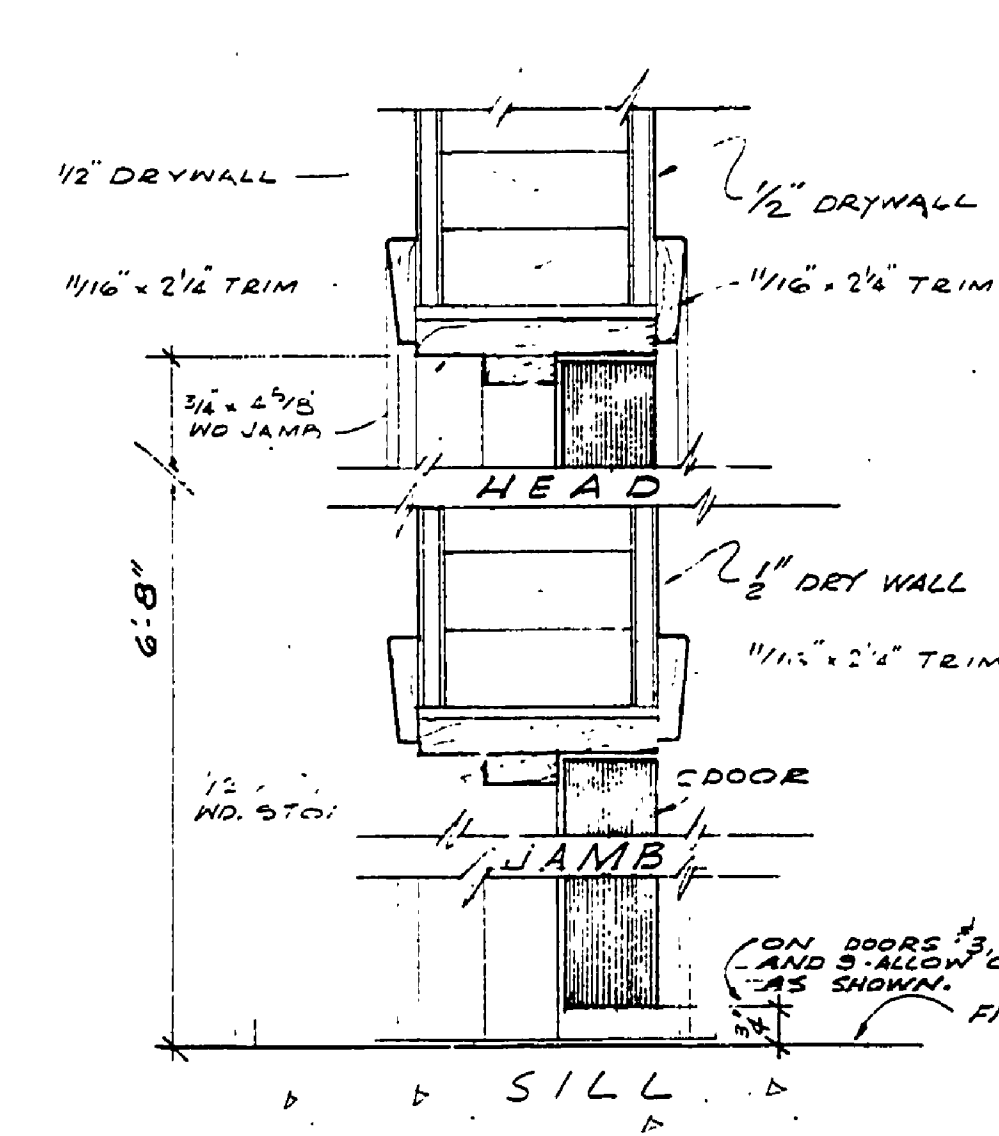
VERTICAL SECTION ENTRANCE SIDELIGHT



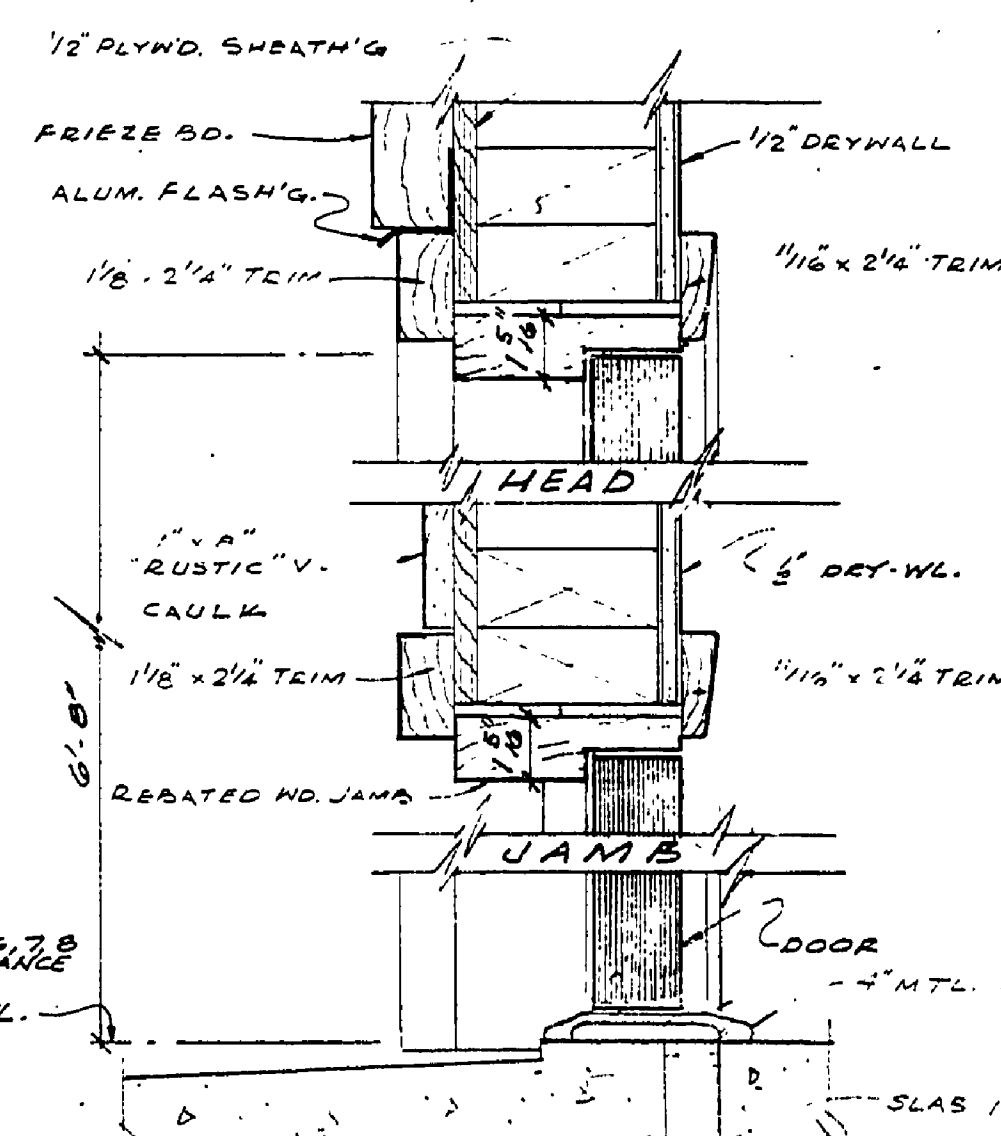
GARAGE HOUSE CONNECTION



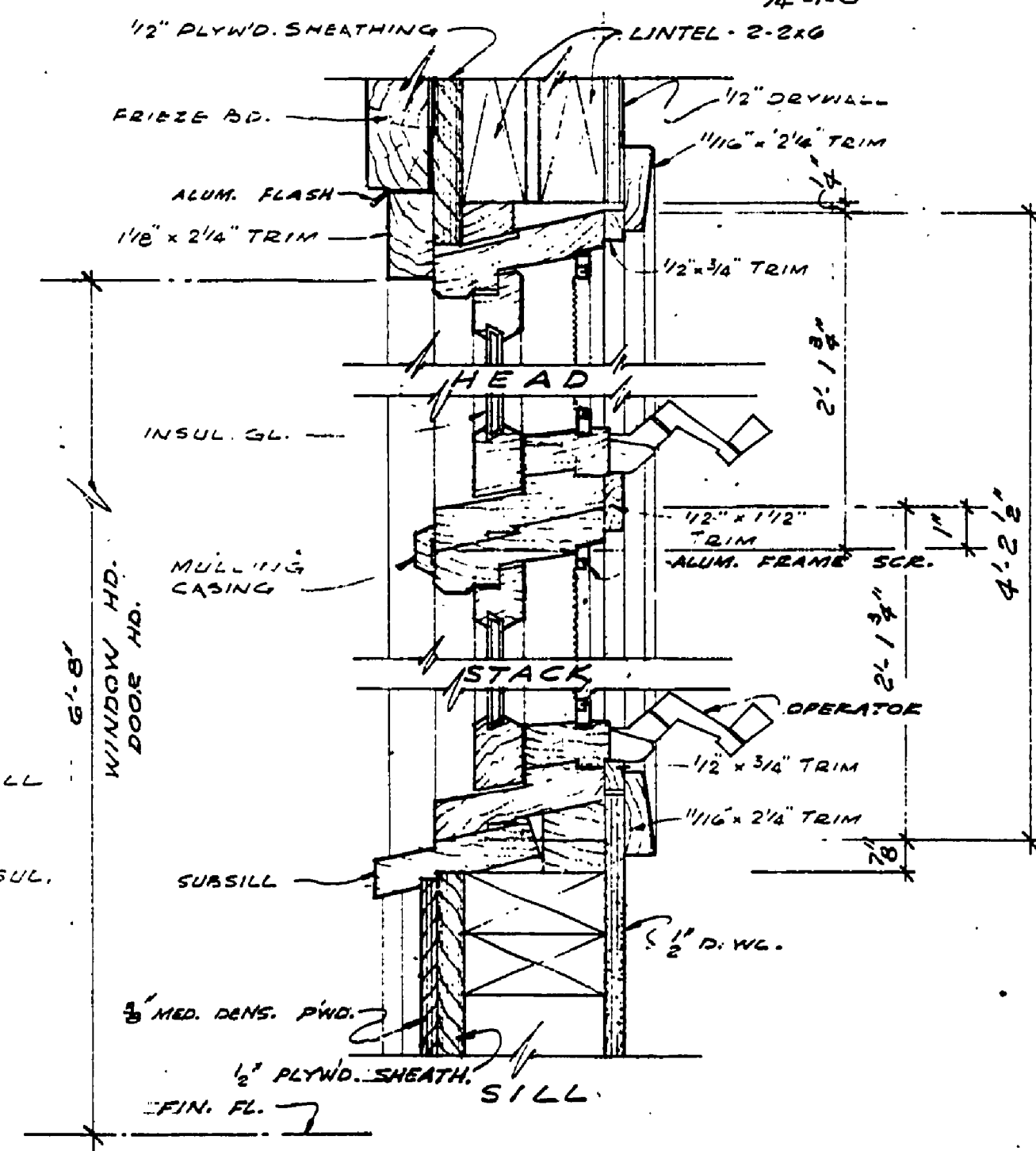
PORCH FRONT & BACK 3/4\"/>



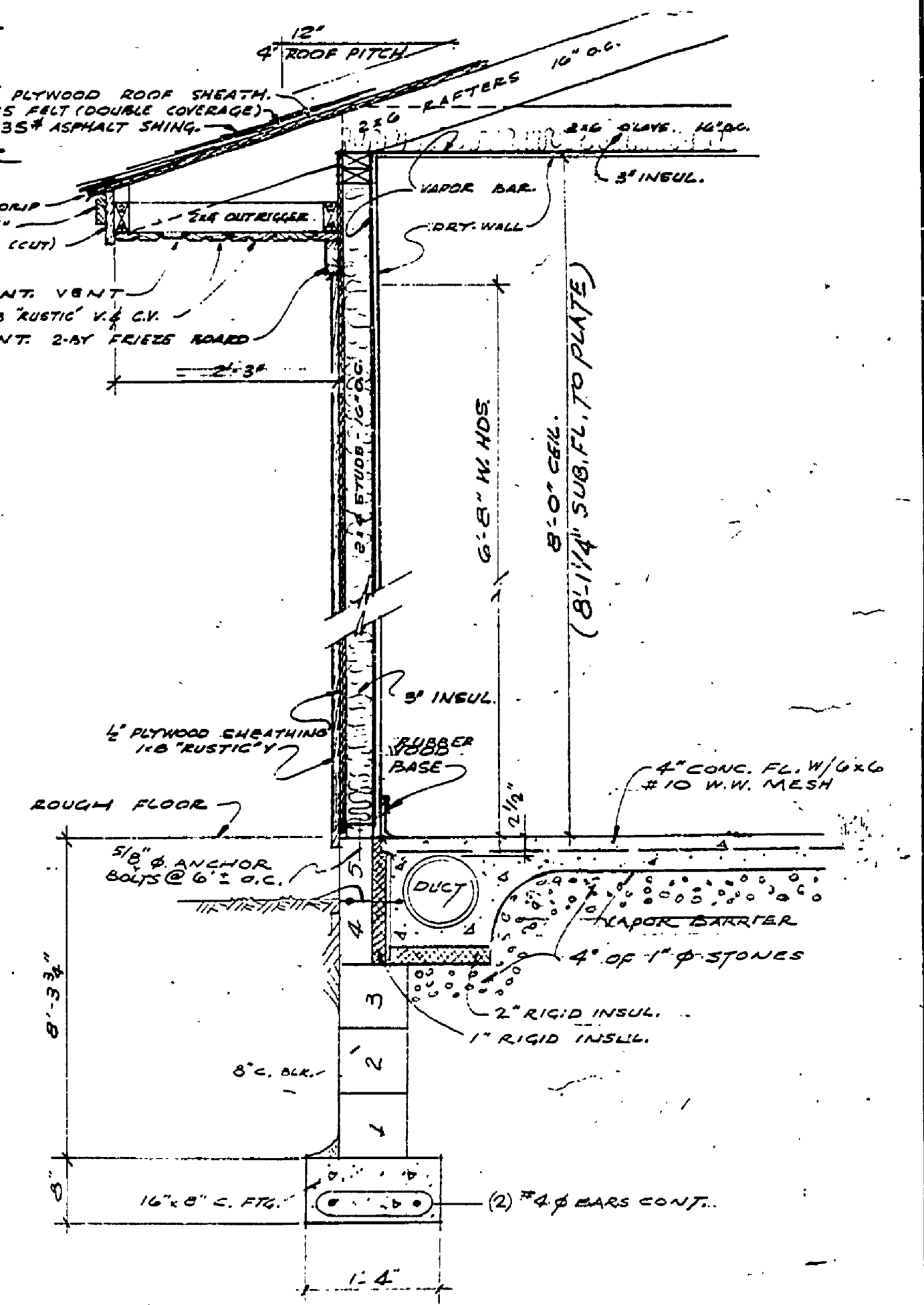
DETAIL TYPICAL INT. DOOR



DETAIL TYPICAL EXT. DOOR



DETAIL TYPICAL WINDOW (ELEVATION SECT.)



TYPICAL WALL SECTION SCALE: 3/4\"/>