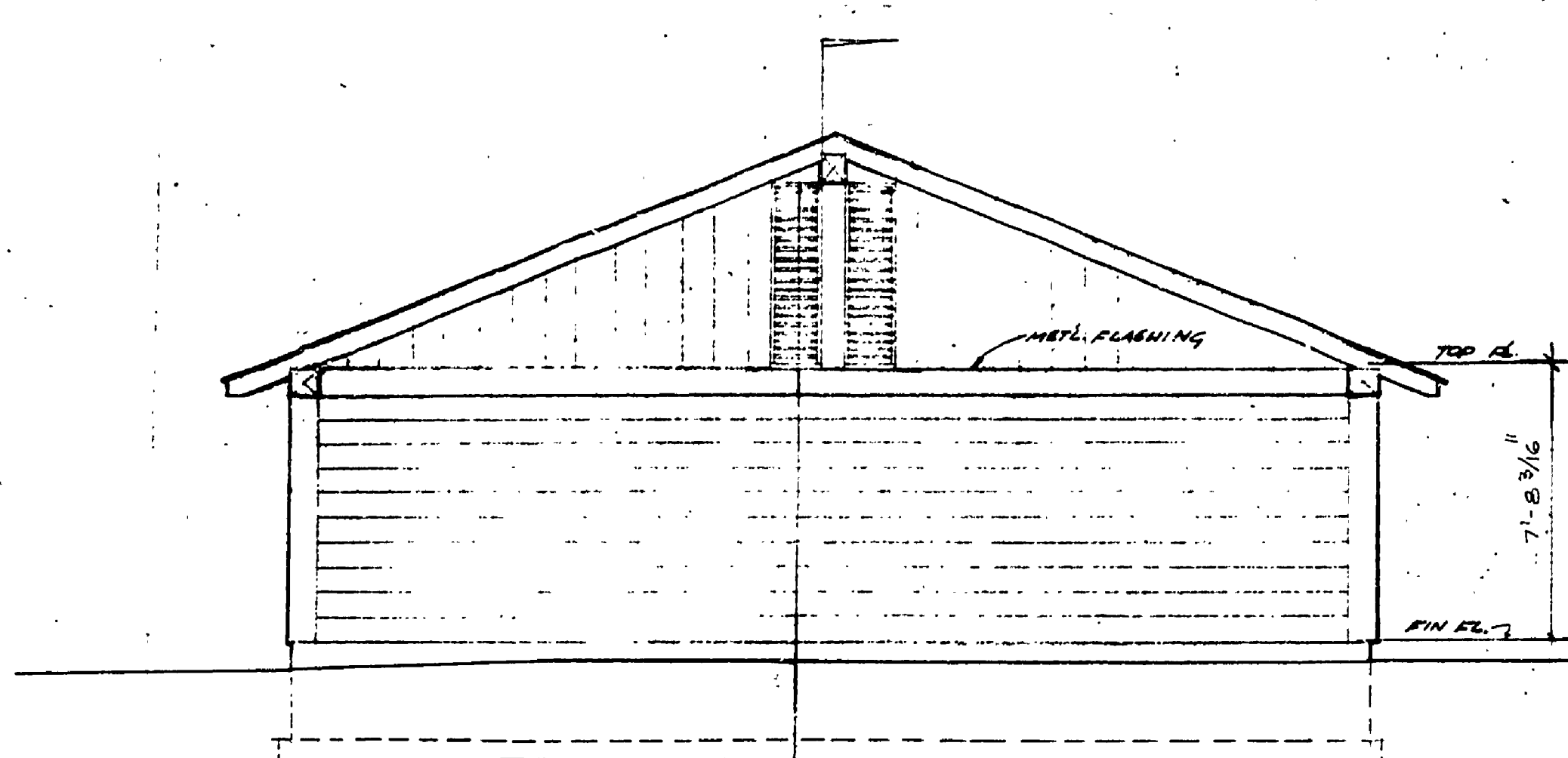
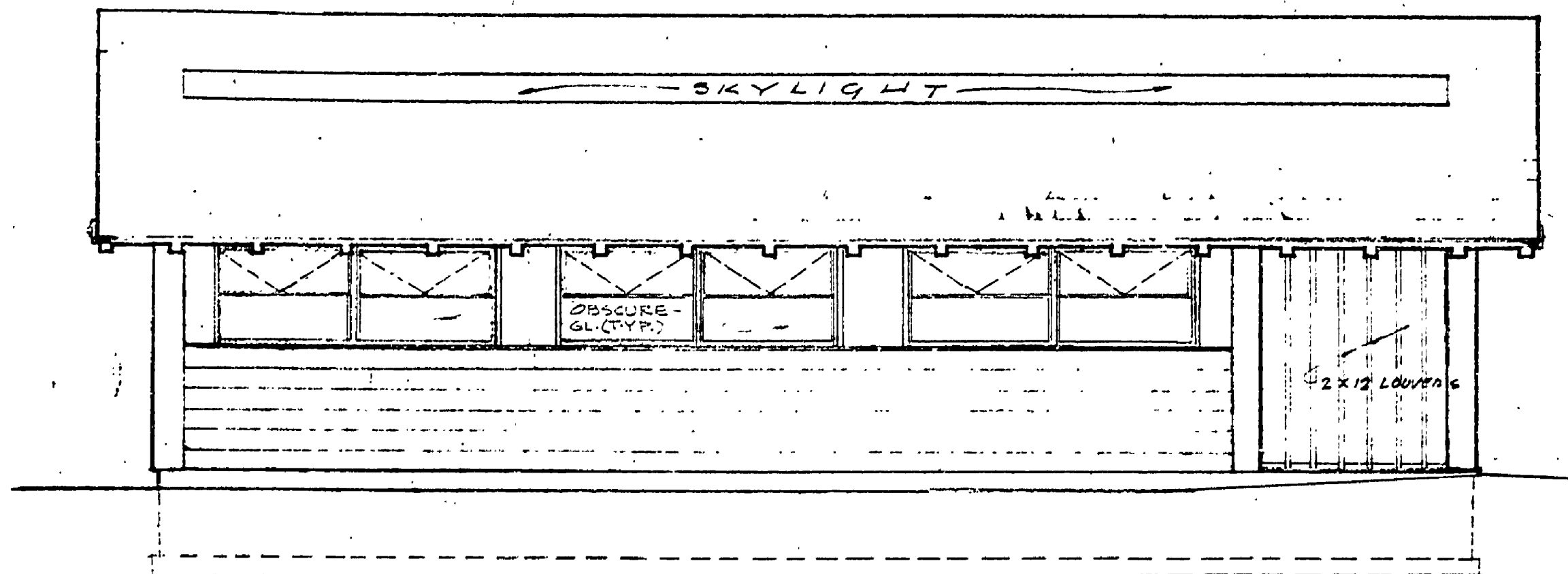


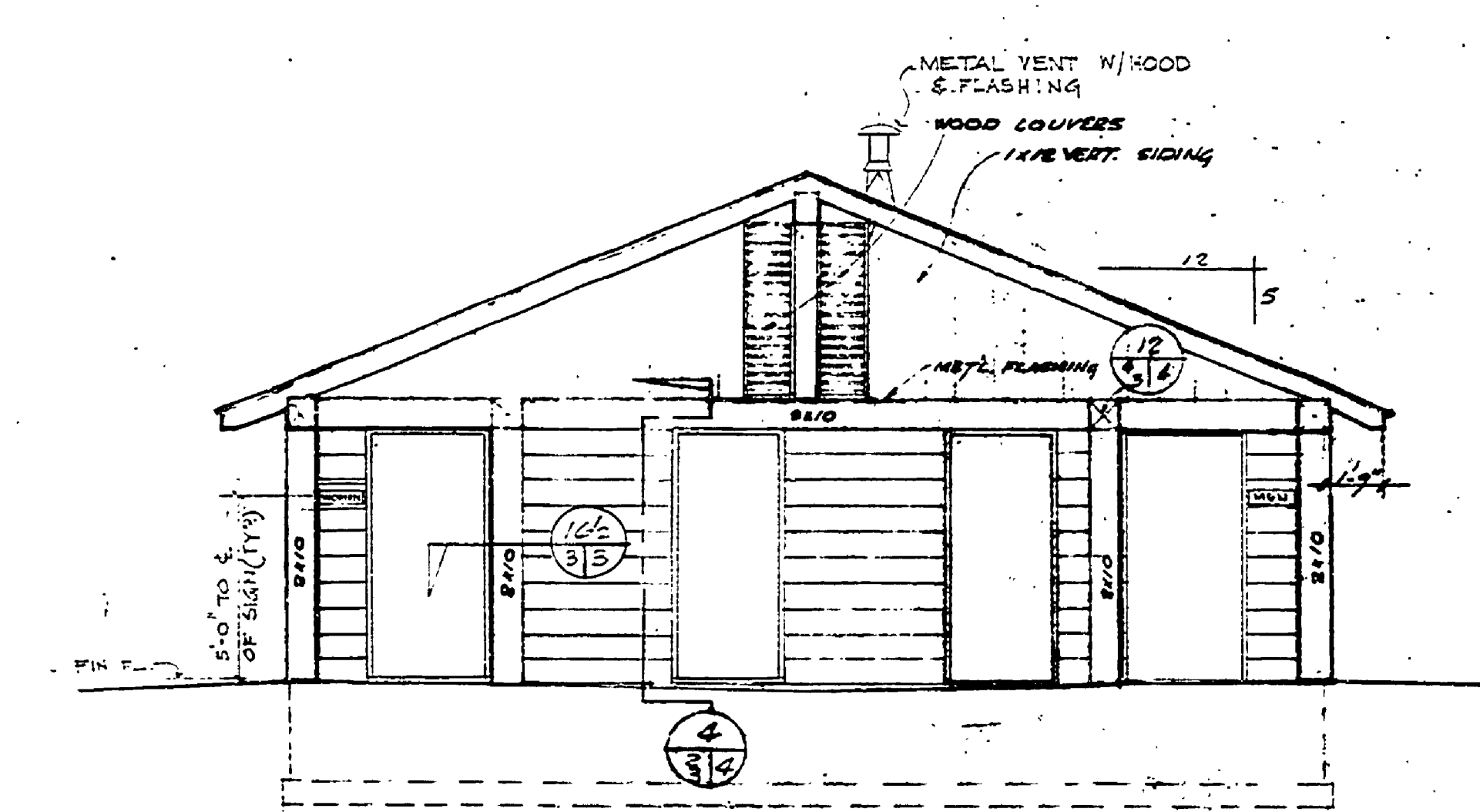
DATE: NO. 1
 APPROVED BY: [Signature]
 ENGINEERING ARCHITECTURAL W/ARCH. LANDSCAPE
 CHECKED BY: M.G.
 MICHIGAN DEPARTMENT OF CONSERVATION PARKS AND RECREATION DIVISION



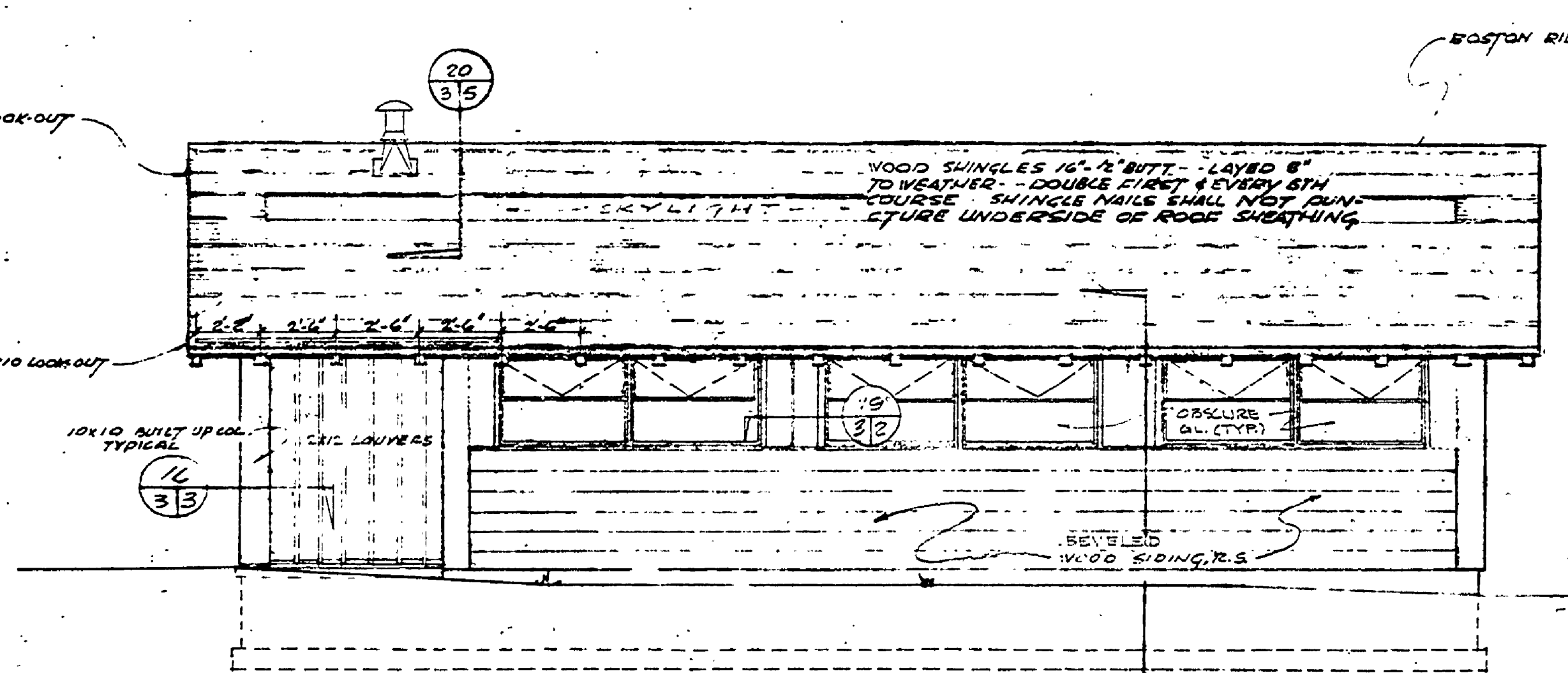
NORTHWEST ELEVATION
 1/4" = 1'-0"



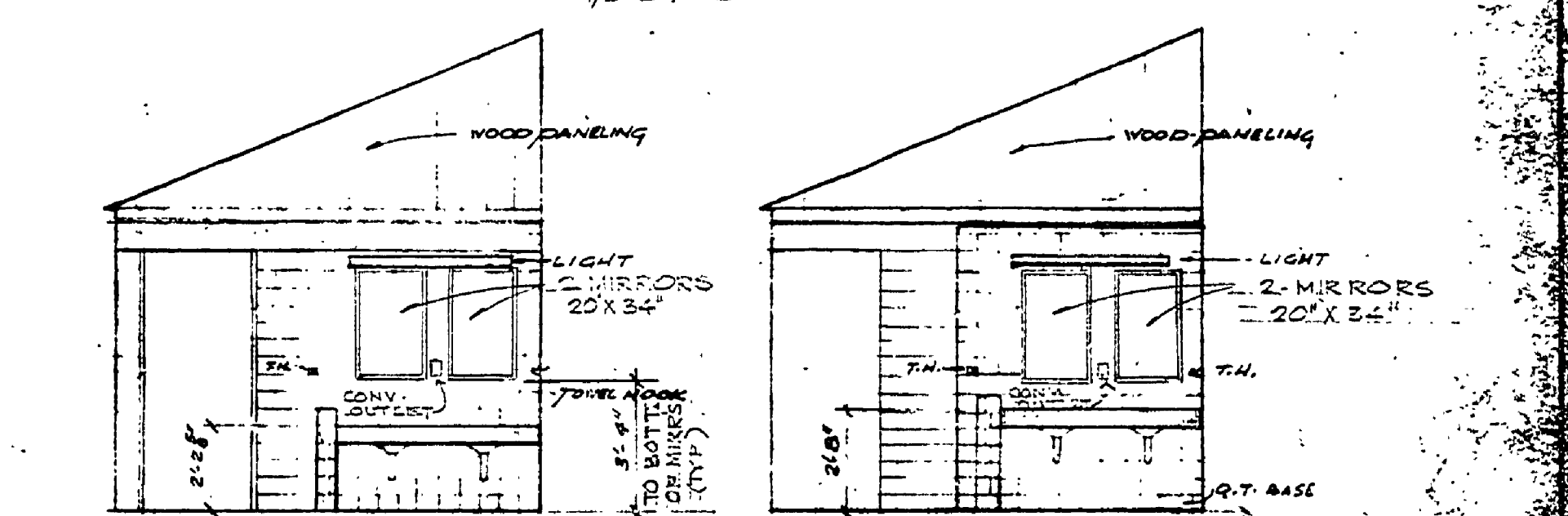
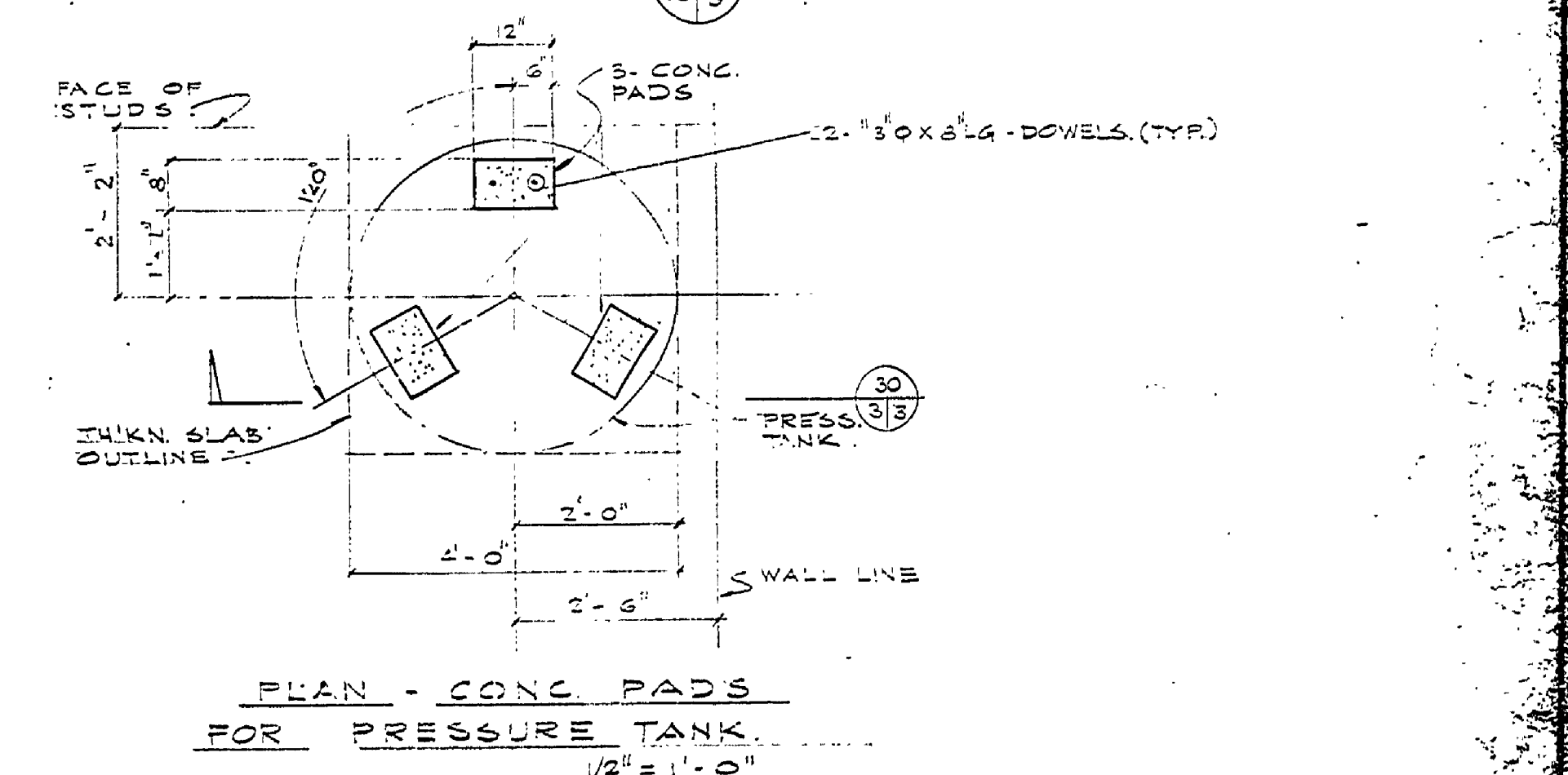
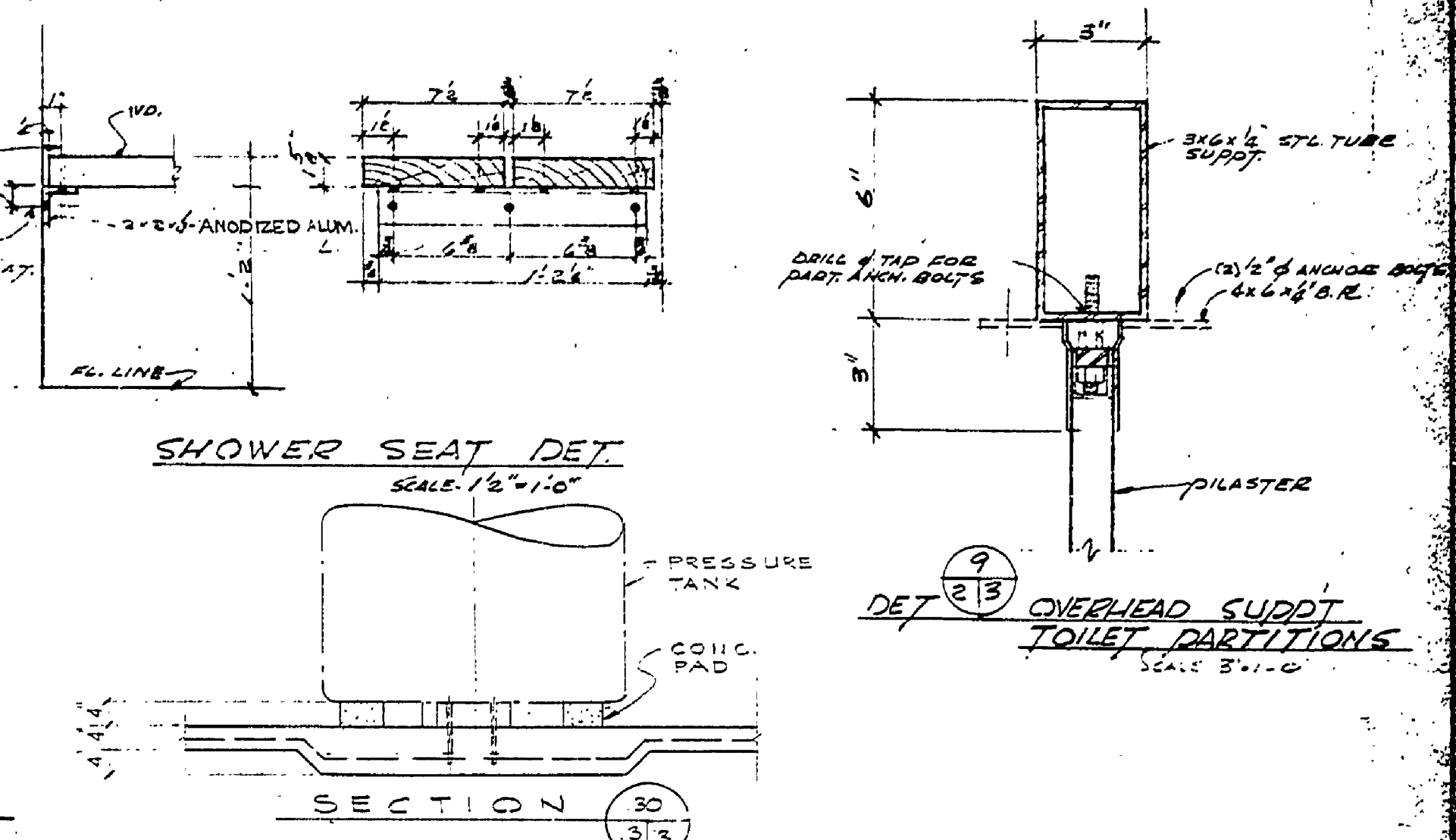
SOUTHWEST ELEVATION
 1/4" = 1'-0"



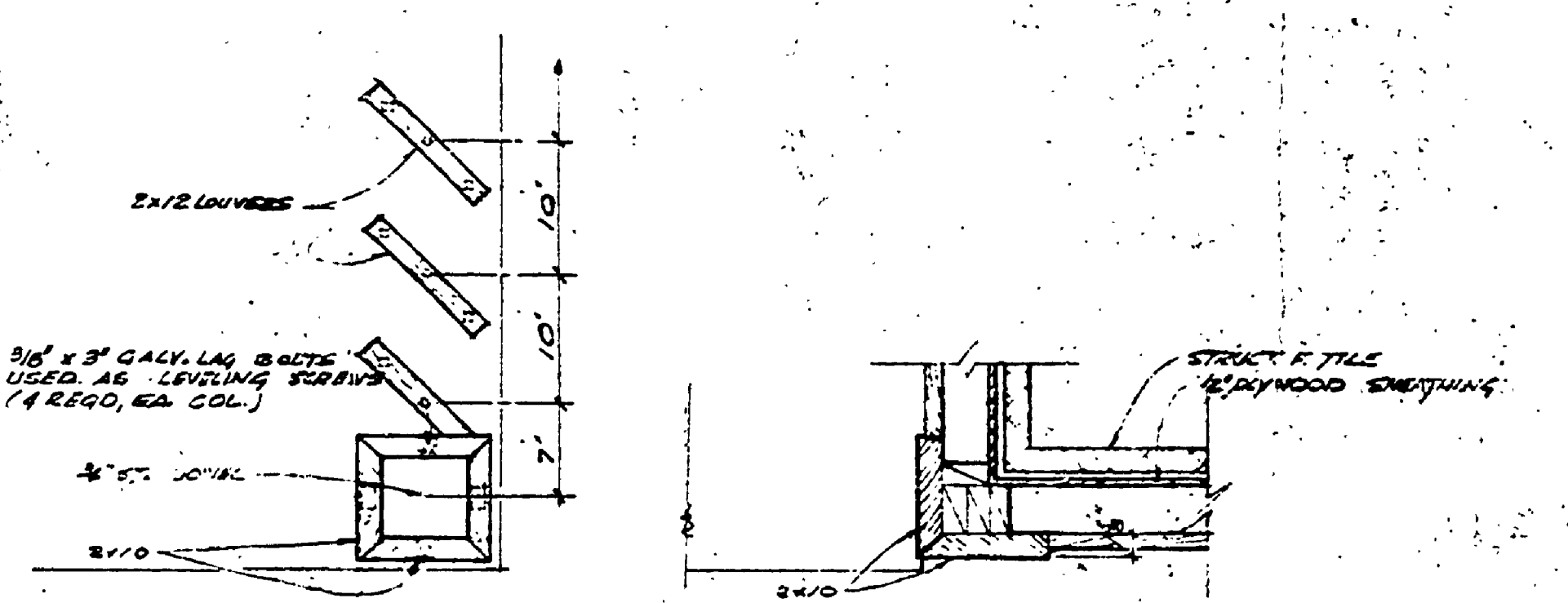
SOUTHWEST ELEVATION
 1/4" = 1'-0"



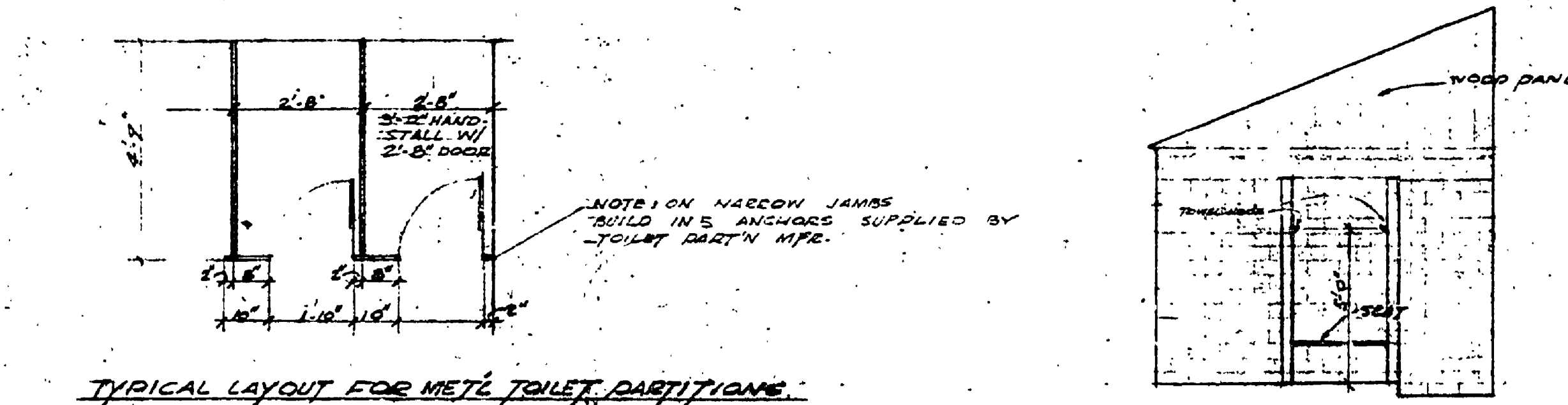
NORTHEAST ELEVATION
 1/4" = 1'-0"



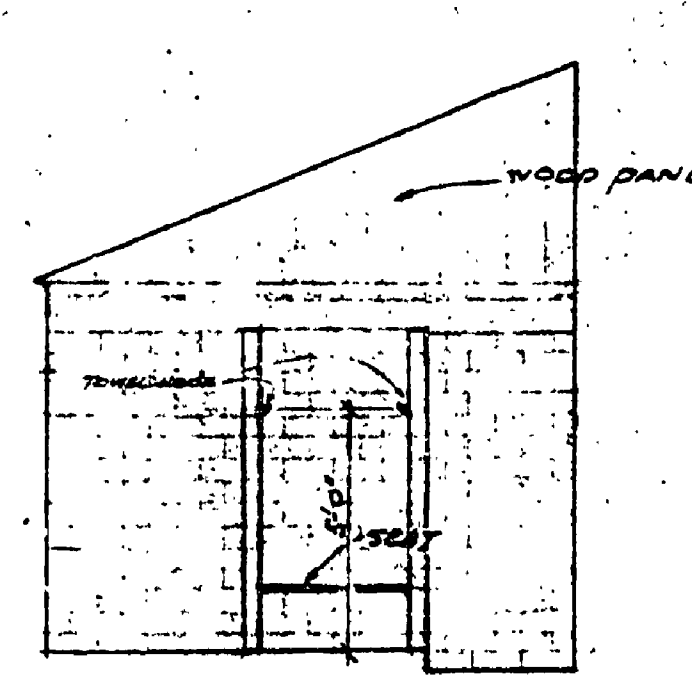
ELEV. W. WALL MEN'S TOILET
 (WOMEN'S SIMILAR) SCALE 1/2" = 1'-0"
ELEV. E. WALL WOMEN'S TOILET
 (MEN'S SIMILAR) SCALE 1/2" = 1'-0"



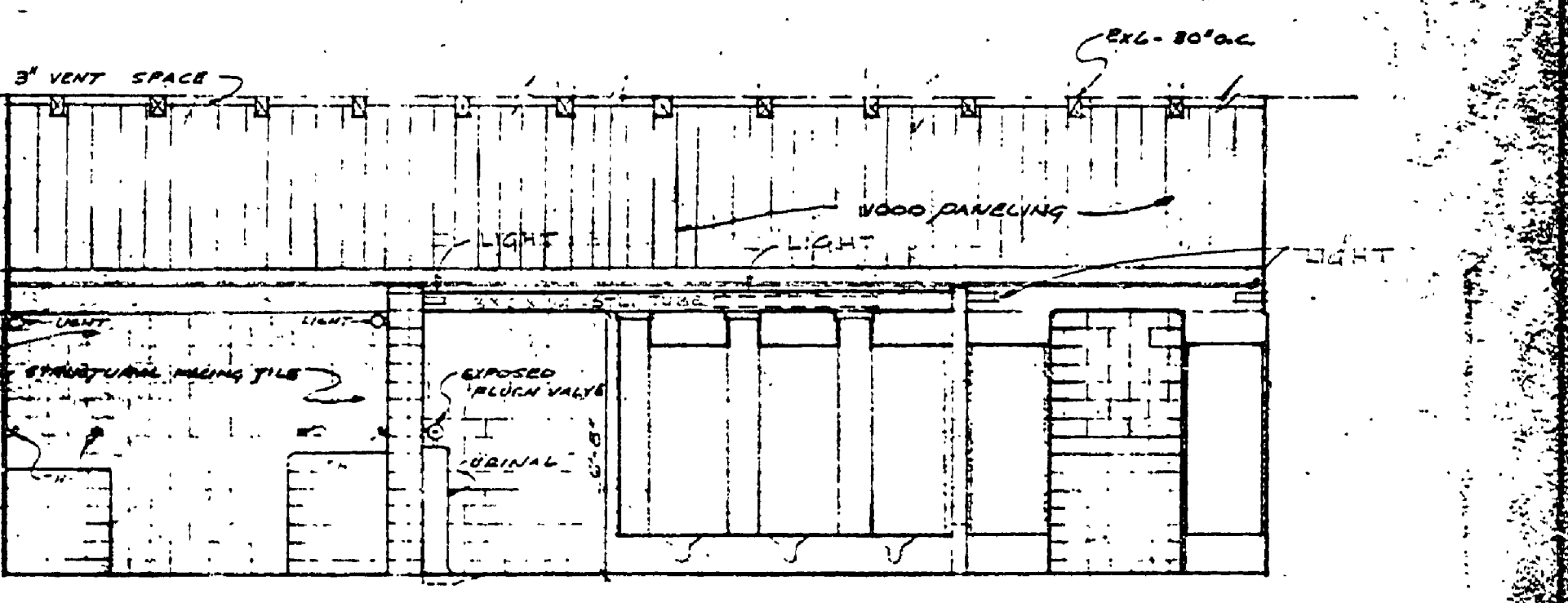
SECT. DET. 16/33
 1" = 1'-0"



TYPICAL LAYOUT FOR METAL TOILET PARTITIONS
 SCALE 1/2" = 1'-0"



ELEV. TYP. SHOWER
 SCALE 1/2" = 1'-0"



ELEVATION - W. WALL MEN'S TOILET - (WOMEN'S SIDE SIMILAR)
 SCALE 1/2" = 1'-0"