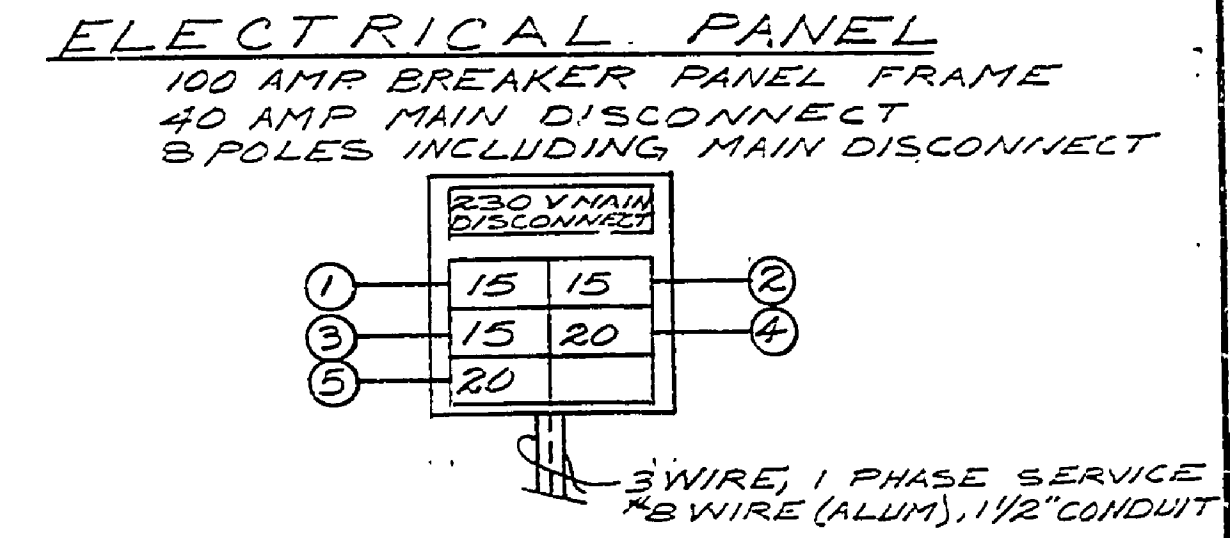
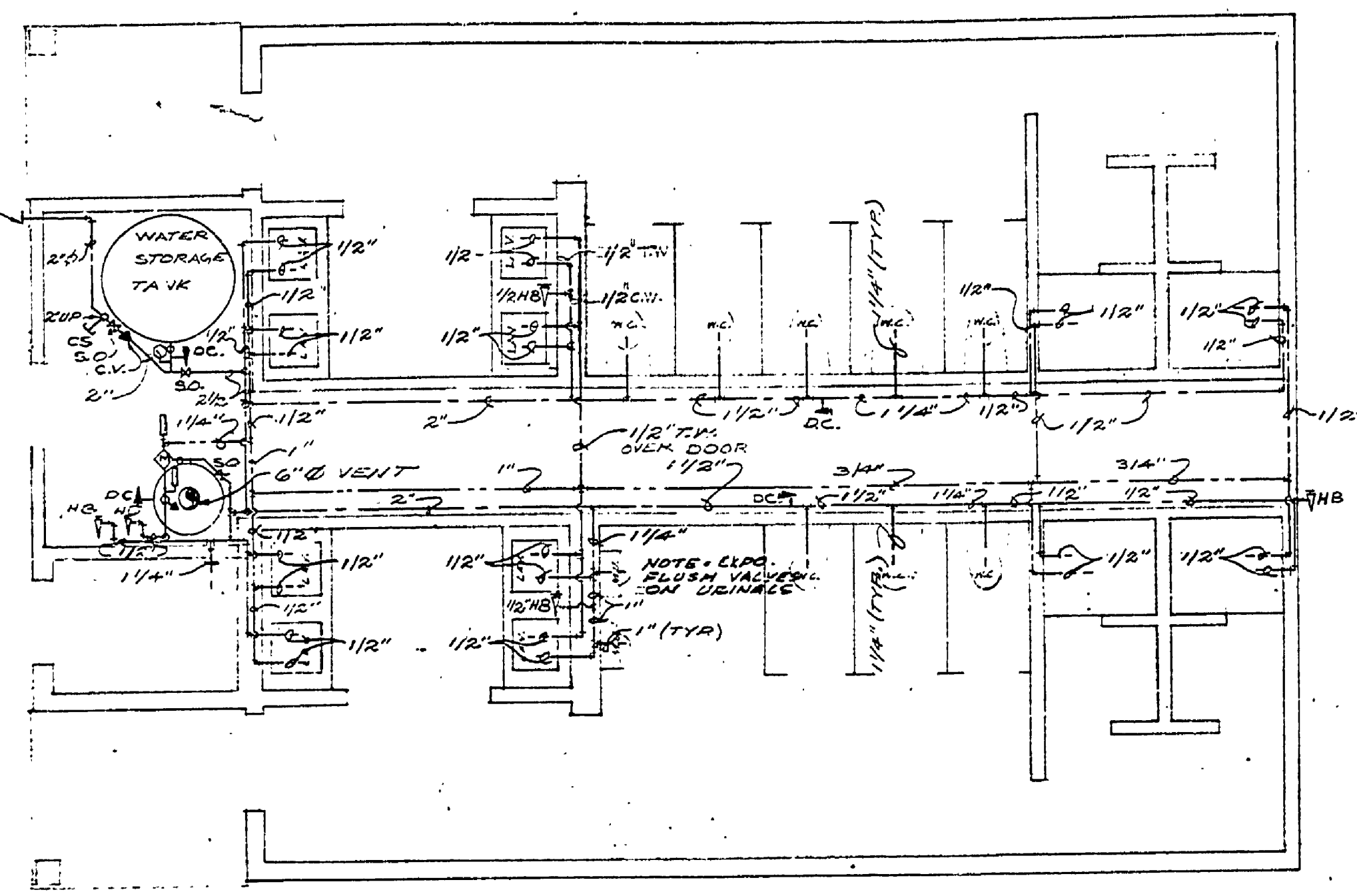


DATE	BY	REVISIONS
		4
		5
		6
DATE	BY	NO.
		1
		2
		3
APPROVED	DATE	REVIEWED
		ARCHITECTURAL
		ENGINEERING
		LANDSCAPE
DESIGNED BY	DATE	CHECKED BY

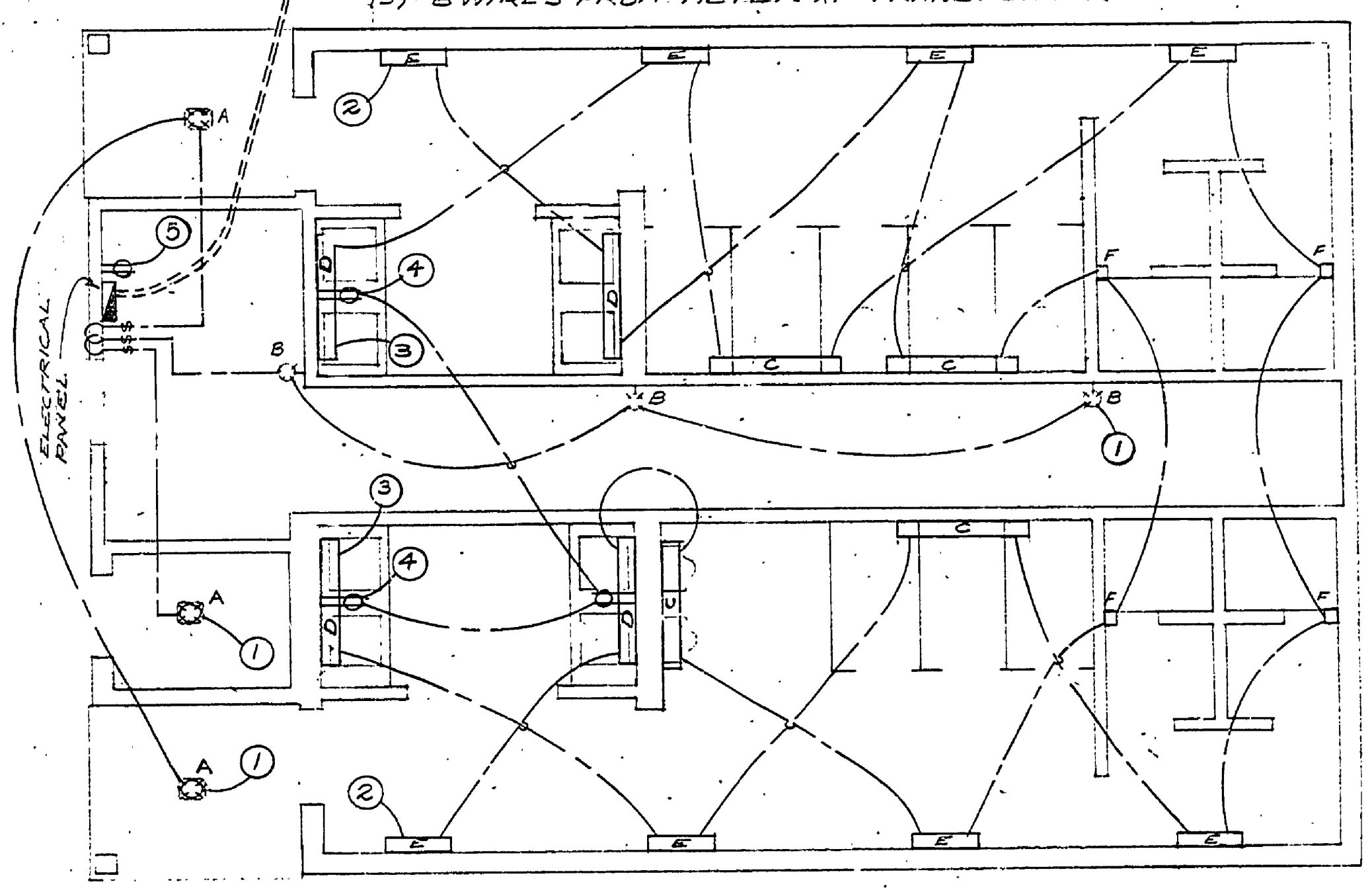
MARK	AM'T.	MANUF. & NUMBER	TYPE	WATT.	REMARKS
A	3	KENALL # 3808	INCAND.	2(100)	FLUSH MT. (JUNCTION BOX REC'D IN CLG.)
B	3	STD. PORCELAIN FIXTURE	INCAND.	1(100)	MOUNT 7'-6" FROM FIN. FL.
C	4	SOLUX # F61R-121	FLUOR.	1(40)	MOUNT PER SKETCH SHT # 3
D	4	SOLUX # F61R-121	FLUOR.	1(40)	MOUNT HORIZ. ABOVE MIRROR
E	8	SOLUX # F101A-121 (ASYMMETRIC)	FLUOR.	1(20)	MOUNT PER SKETCH SHT # 2
F	4	KENALL # 4004	INCAND.	2(100)	MOUNT PER SKETCH SHT # 3



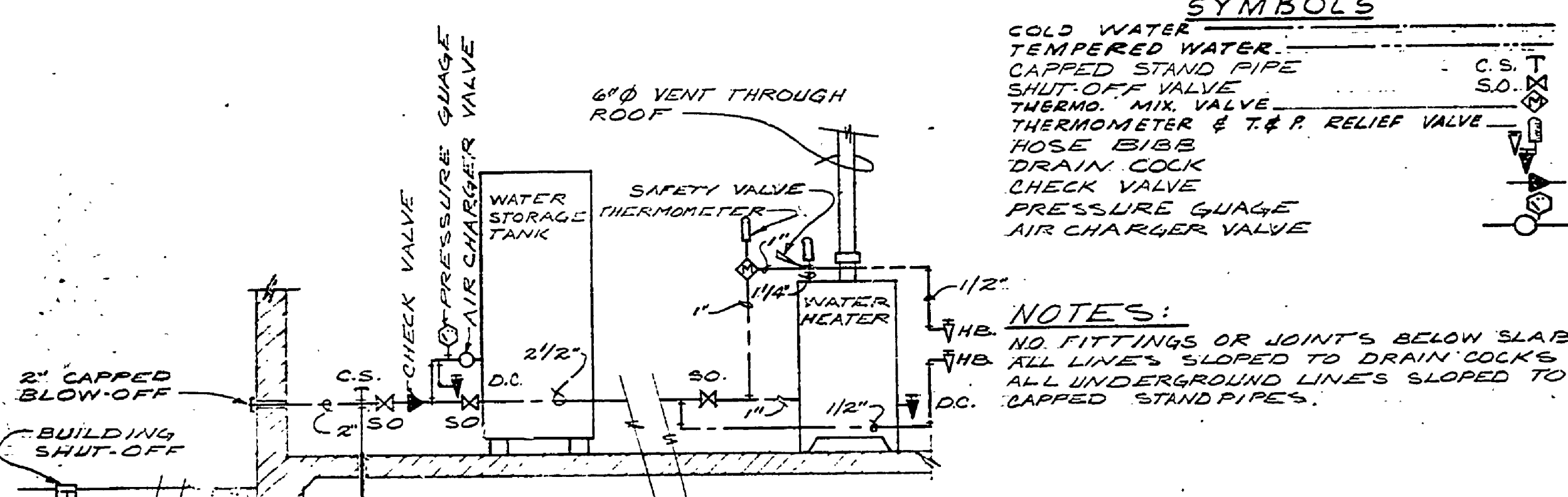
- CIRCUIT DATA**
- C-1 LIGHTING, PIPE ALLEY & NIGHT LIGHT'S
 - C-2 PARTIAL LIGHTING, TOILETS
 - C-3 PARTIAL LIGHTING, TOILETS
 - C-4 CONV. OUTLETS, TOILETS
 - C-5 CONV. OUTLET, PIPE ALLEY



PLUMBING FL. PLAN
(WATER)

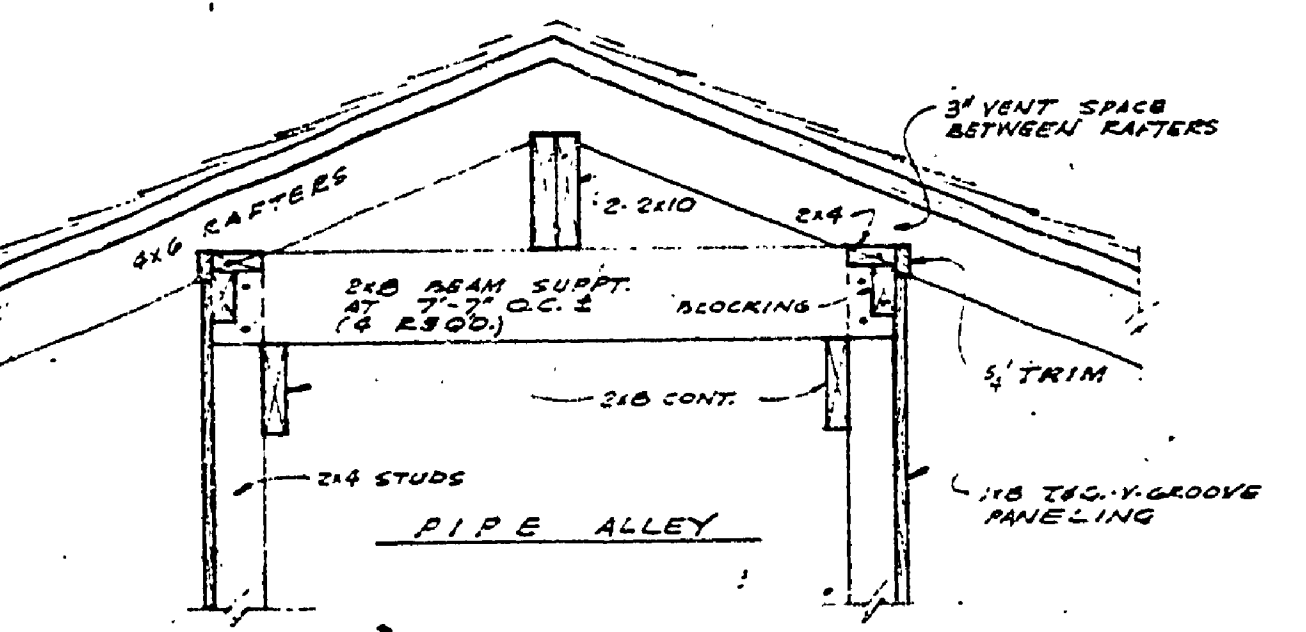


ELECTRICAL PLAN

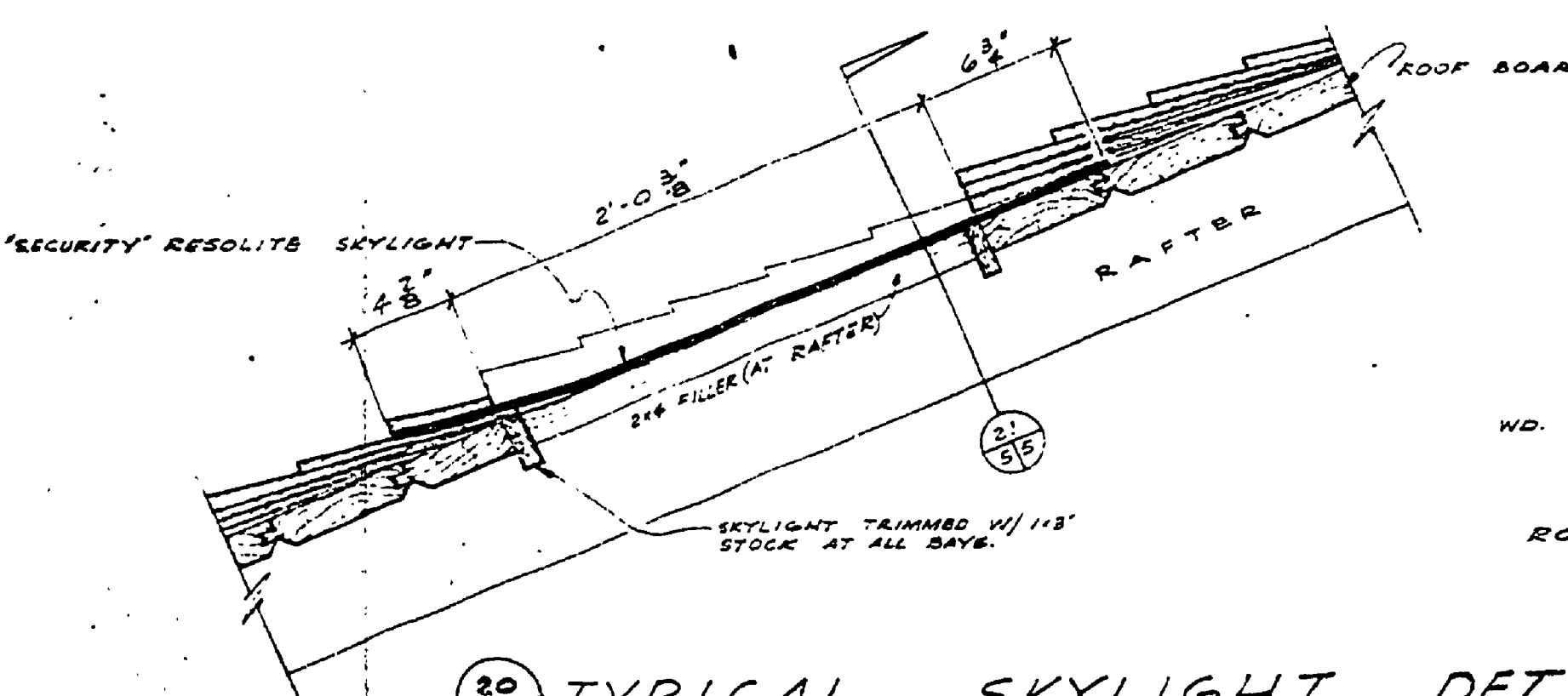


- SYMBOLS**
- COLD WATER
 - TEMPERED WATER
 - CAPPED STAND PIPE
 - SHUT-OFF VALVE
 - THERMO. MIX. VALVE
 - THERMOMETER & T.P. RELIEF VALVE
 - HOSE BIBBS
 - DRAIN COCK
 - CHECK VALVE
 - PRESSURE GAUGE
 - AIR CHARGER VALVE

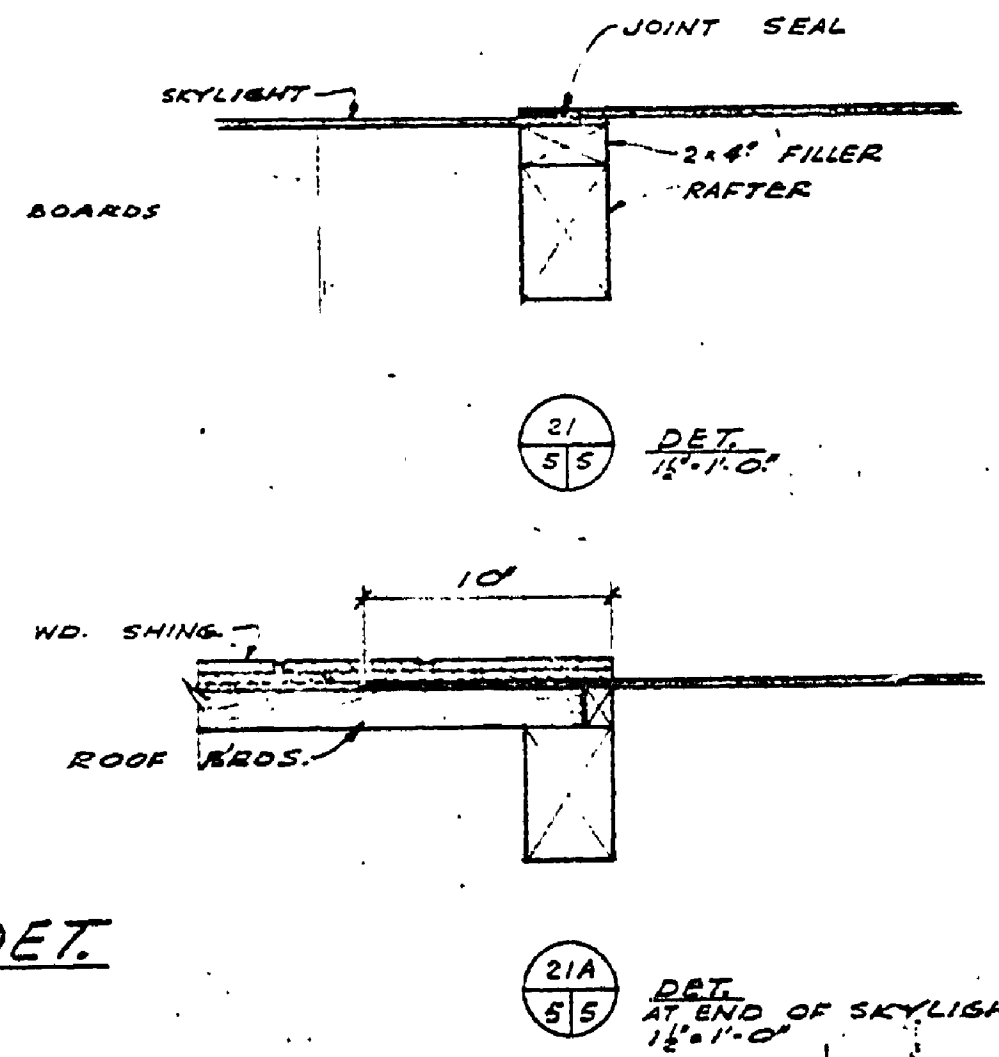
NOTES:
 NO FITTINGS OR JOINTS BELOW SLAB
 ALL LINES SLOPED TO DRAIN COCKS
 ALL UNDERGROUND LINES SLOPED TO
 CAPPED STANDPIPES.



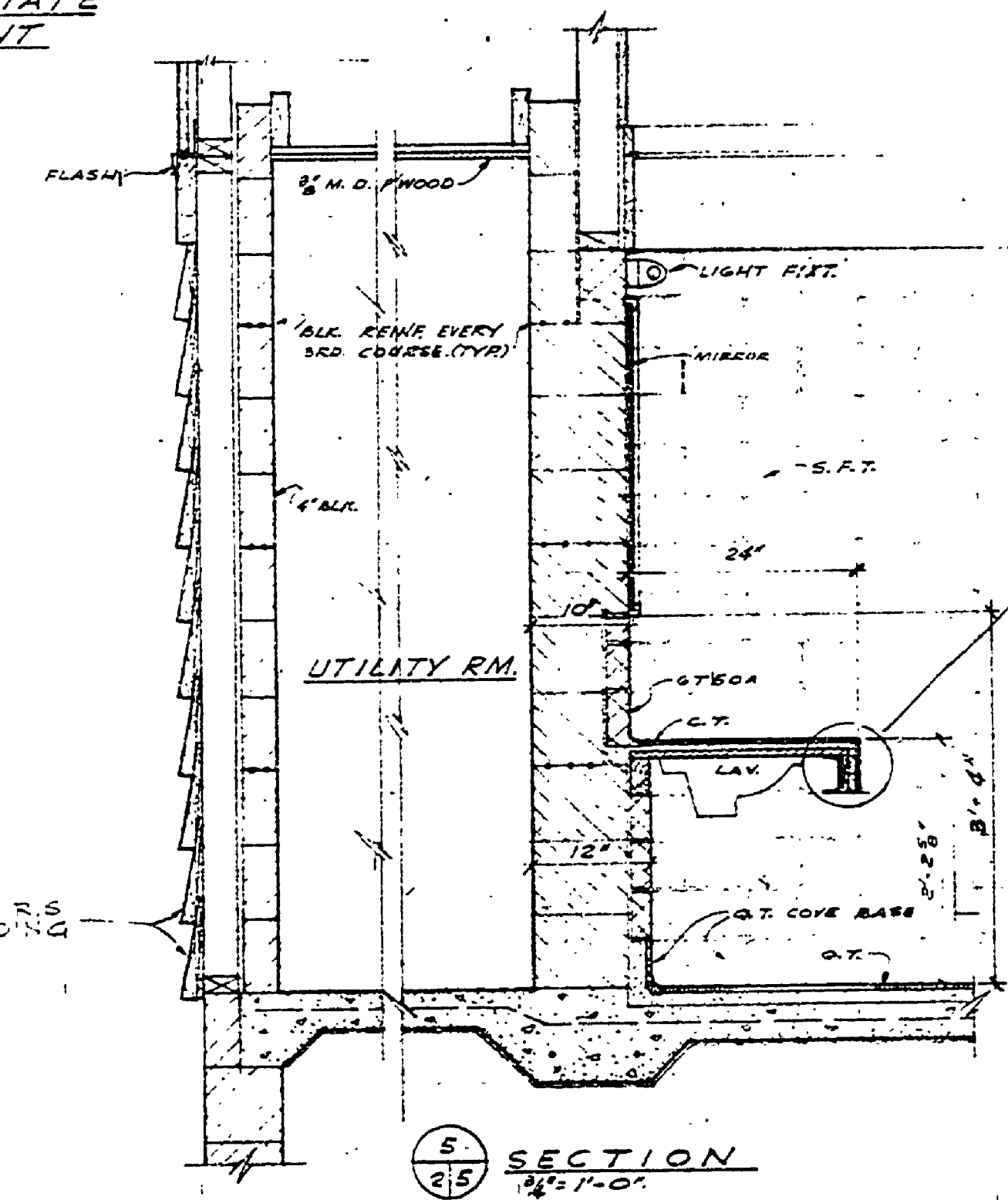
SECTION - TYPICAL INTERMEDIATE RIDGE BEAM SUPPORT & VENT INTO PIPE ALLEY
8'-3 1/2" O.C.



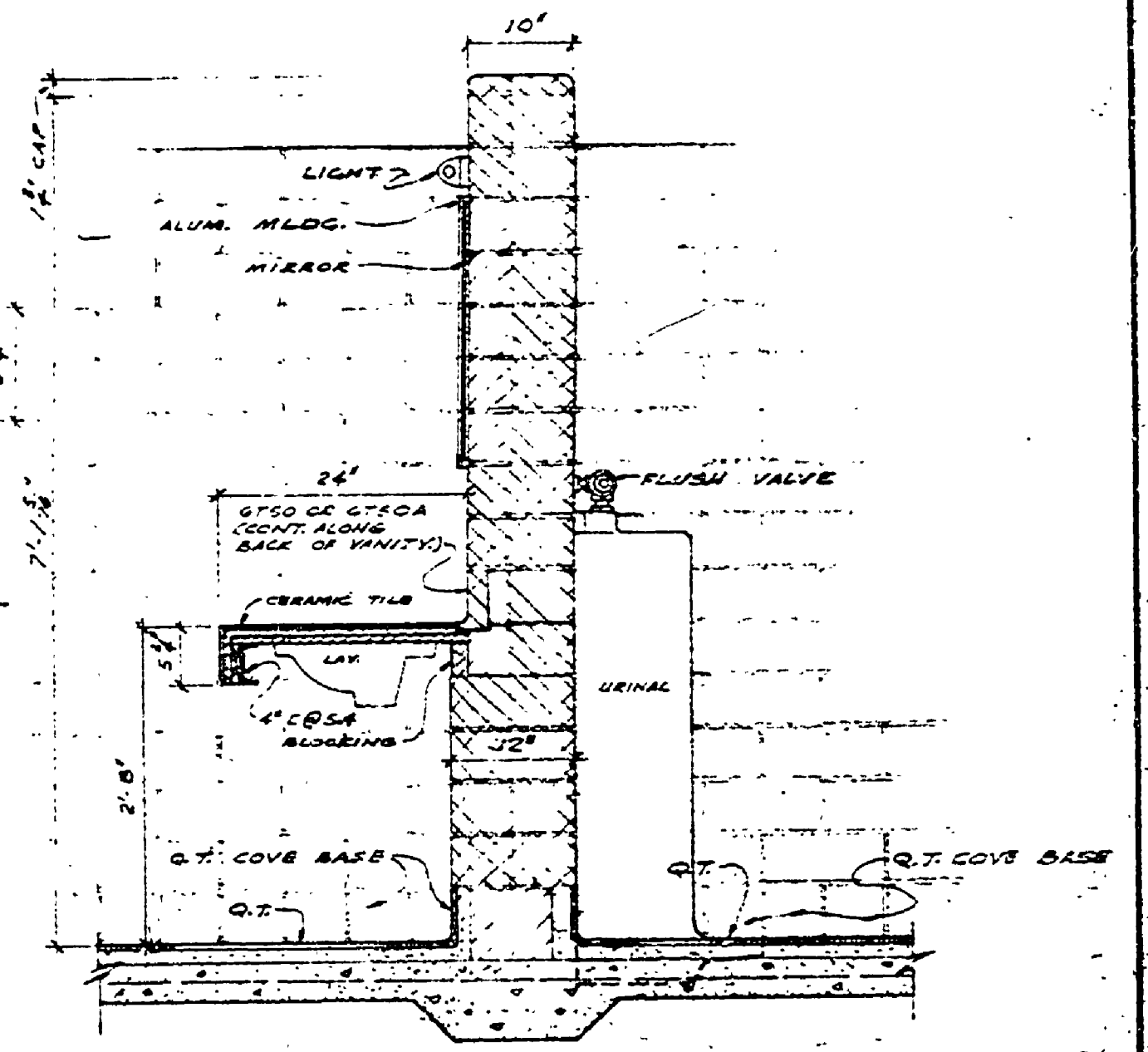
TYPICAL SKYLIGHT DET.
12'-11" O.C.



DETAIL
12'-11" O.C.



SECTION
12'-11" O.C.



DETAIL OF LAV DECK
12'-11" O.C.