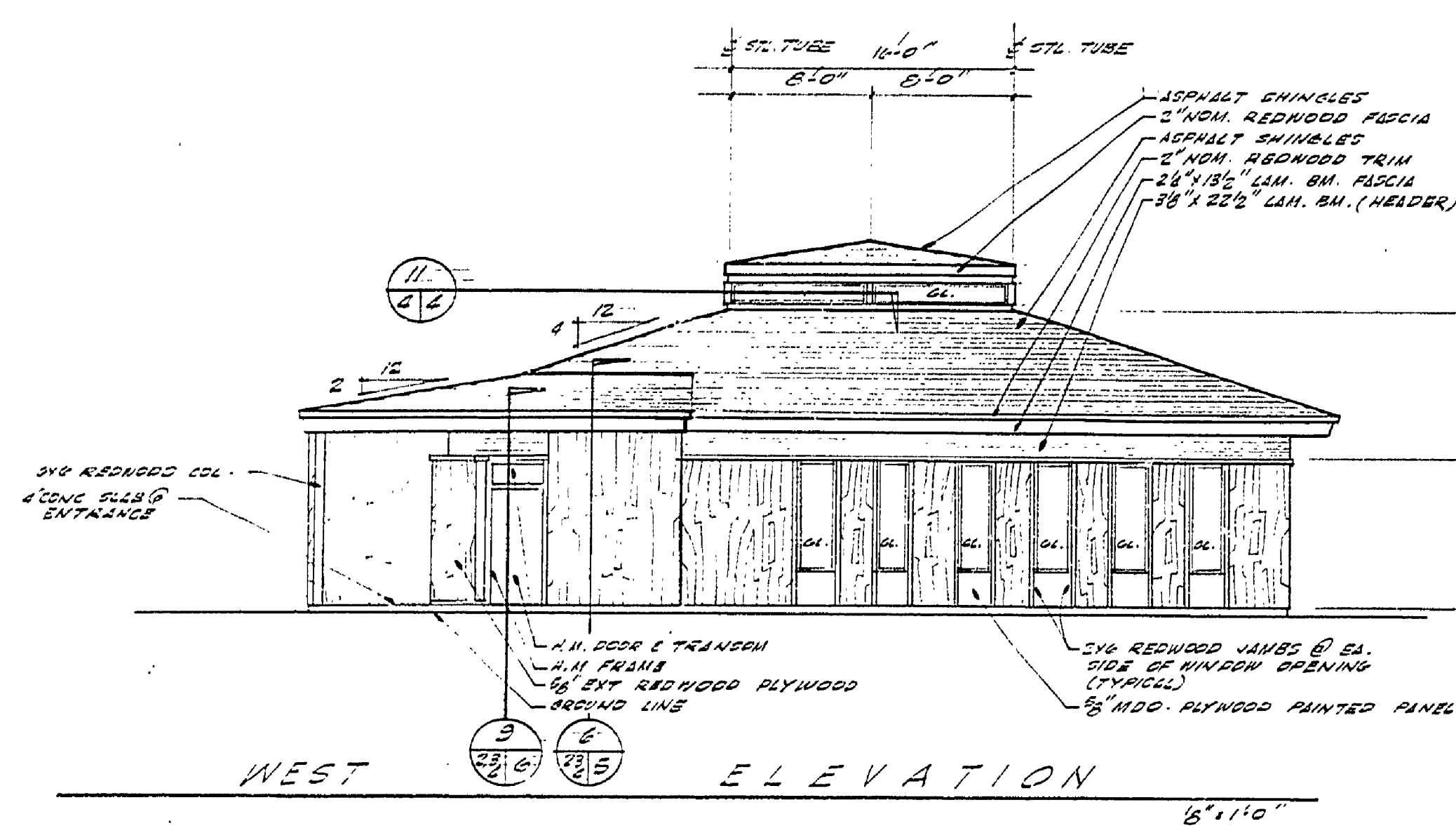
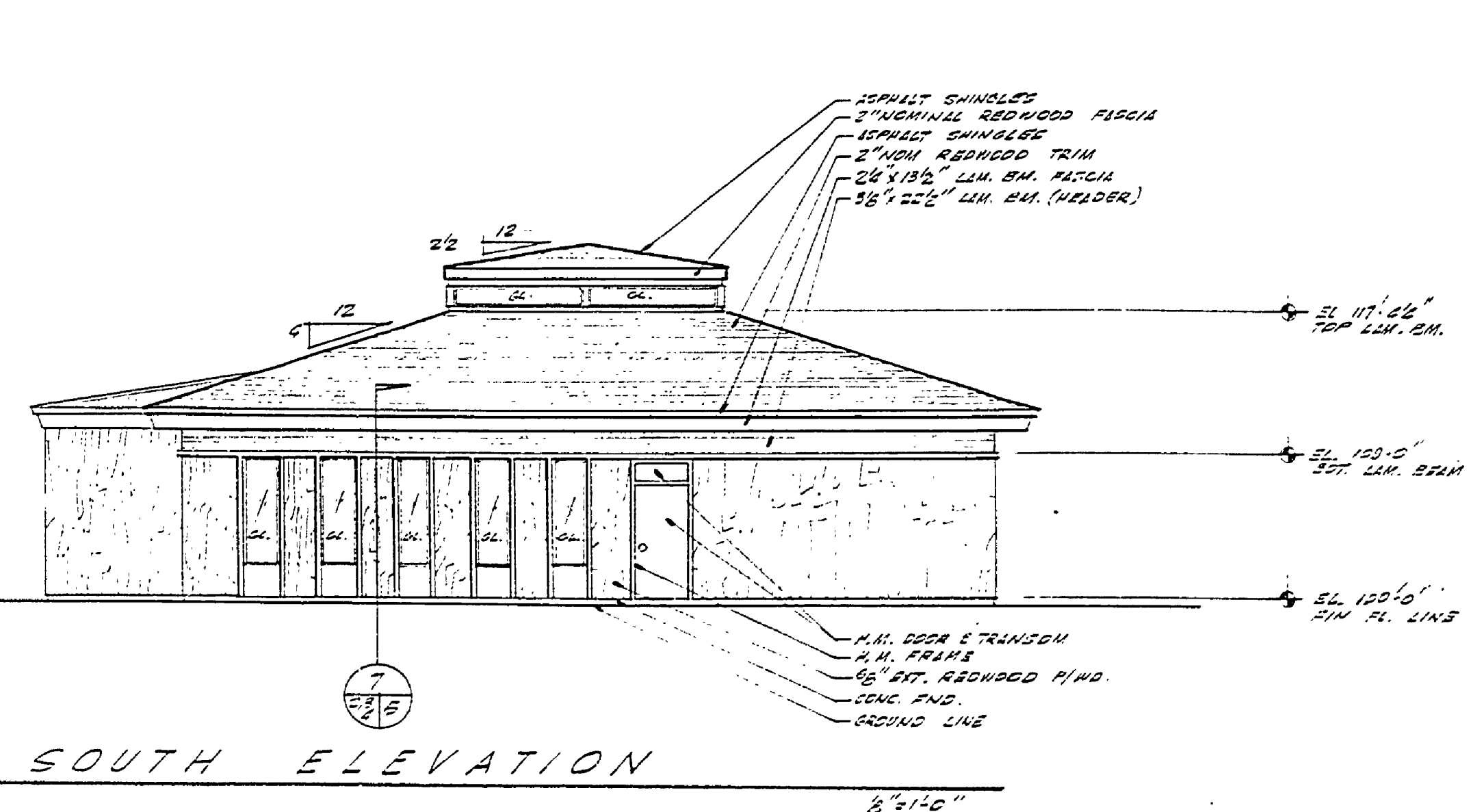


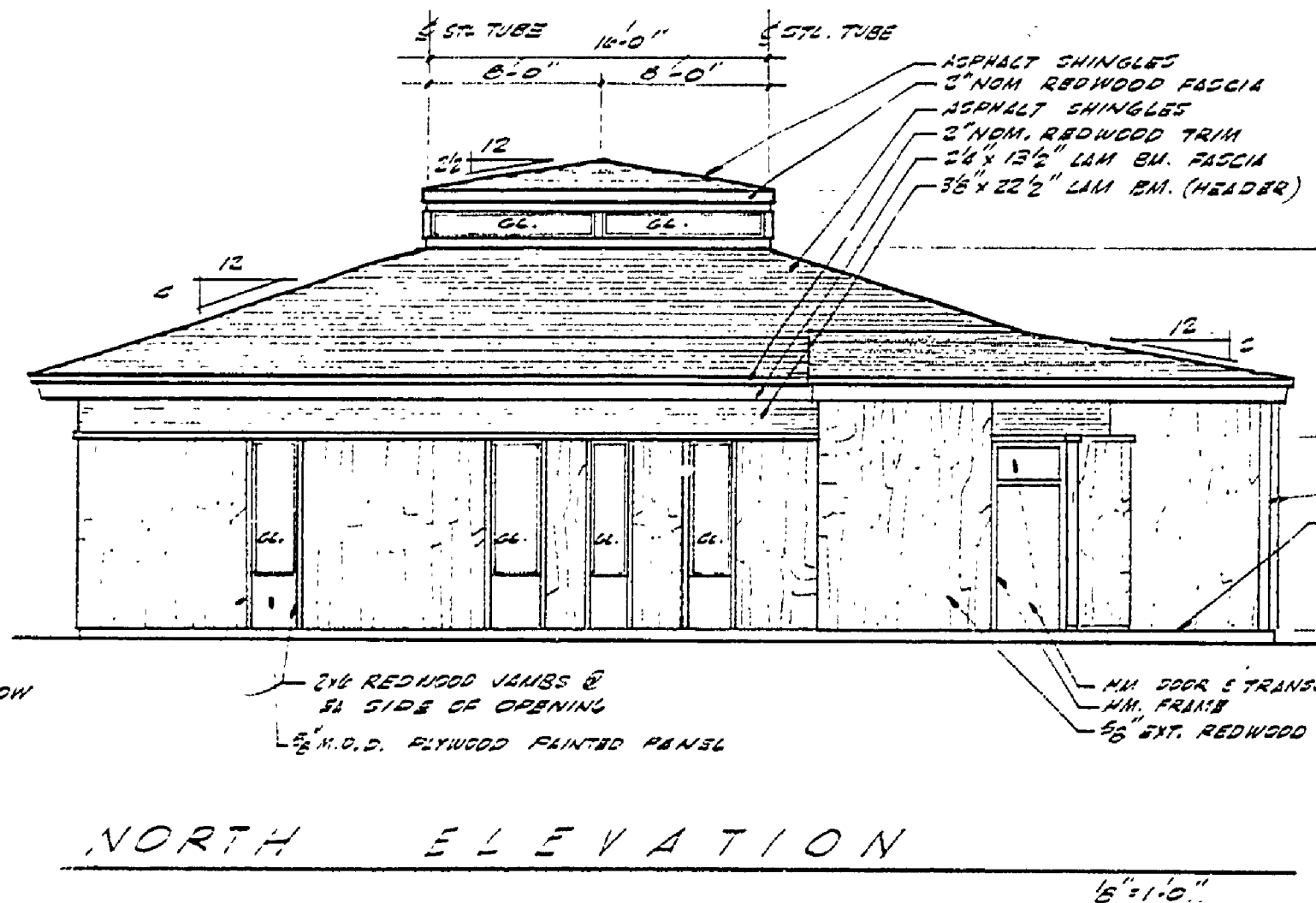
JAMB DETAILS AT CLEARSTORY



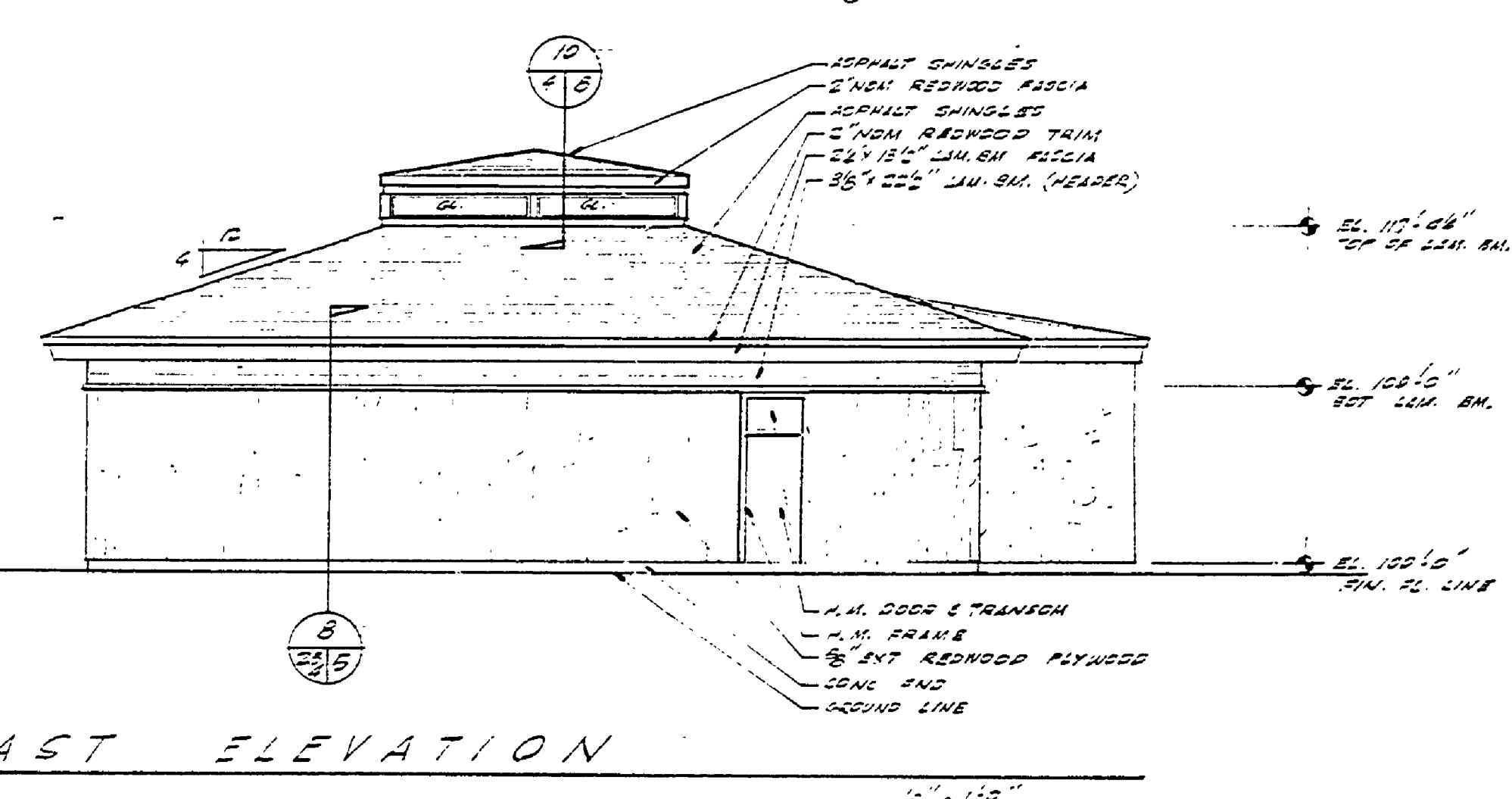
WEST ELEVATION



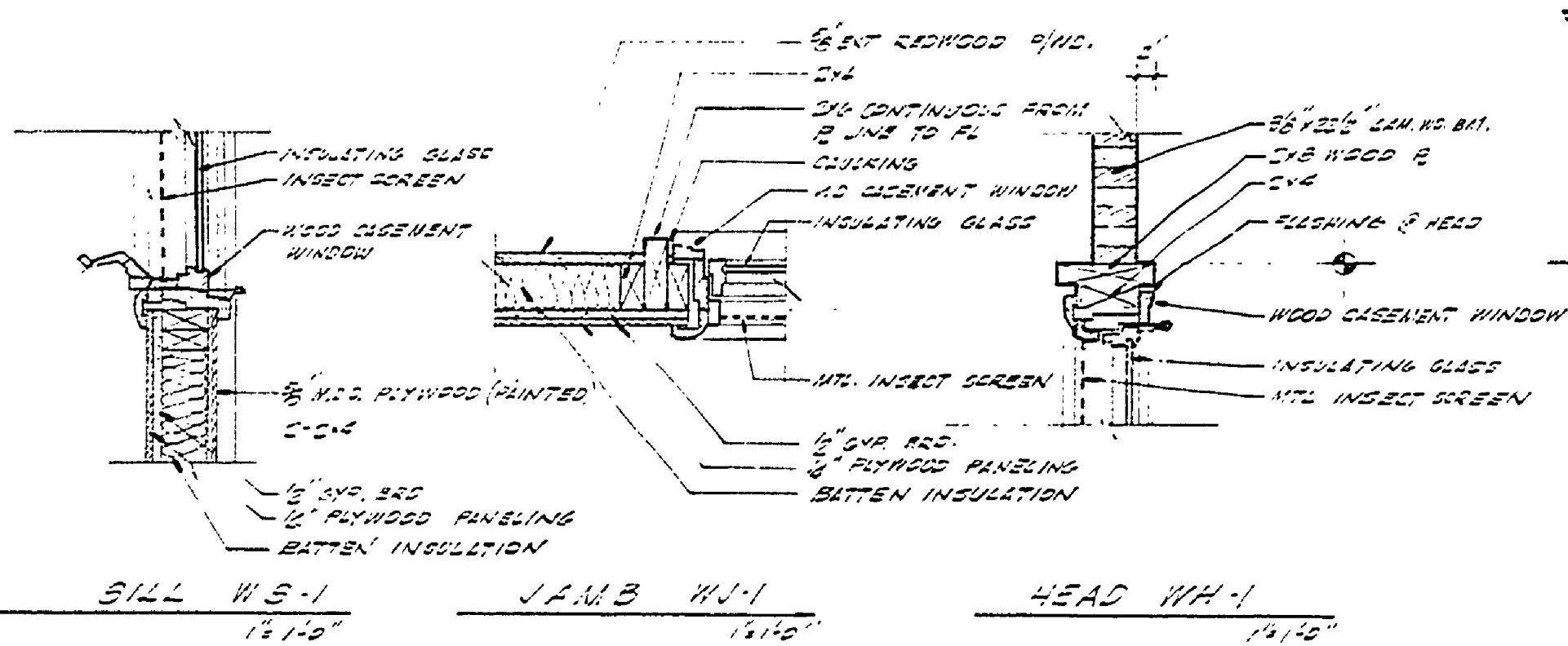
SOUTH ELEVATION



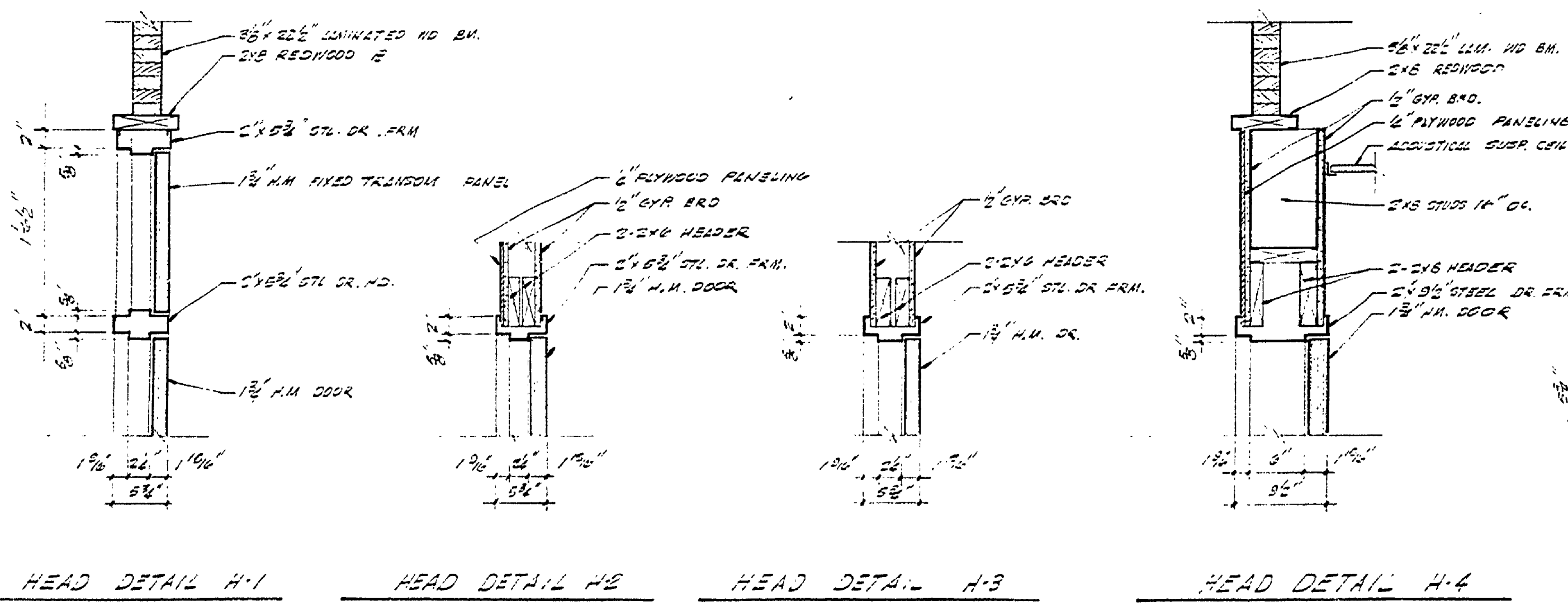
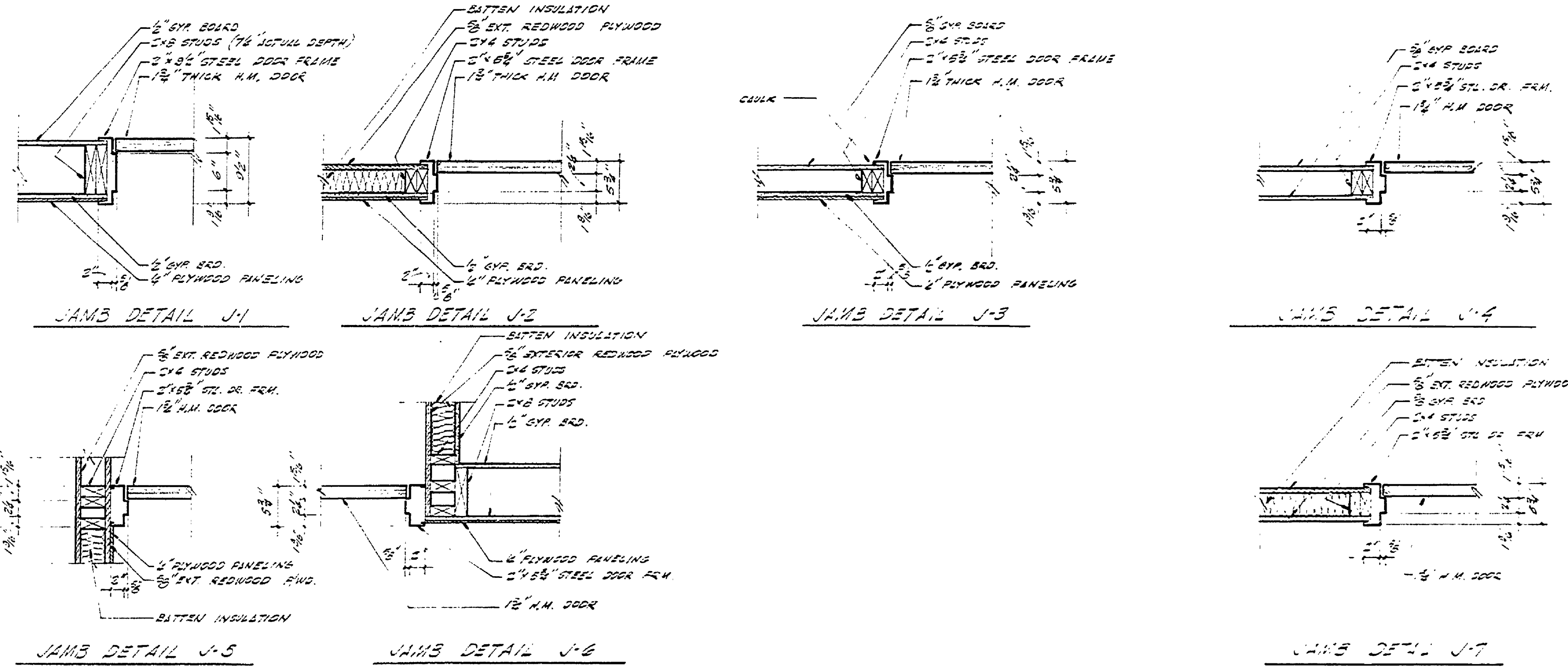
NORTH ELEVATION



EAST ELEVATION



WINDOW DETAILS



SURVEYED BY	DRAWN BY J. COCKLEY 1/76	NO.	DATE	BY	REVISIONS	NO.	DATE	BY	REVISIONS	MICHIGAN DEPARTMENT OF NATURAL RESOURCES	ELEVATIONS & DOOR DETAILS	SLEEPER STATE PARK	PROJECT NO. 24-141
DESIGNED BY	CHECKED BY	1.				3.				DEPARTMENT OF NATURAL RESOURCES	SHEET TITLE	AREA OR PARK MESS HALL	SHEET 4 OF 11
	DATE	2.				4.						PROJECT	PLAN NO. A-115