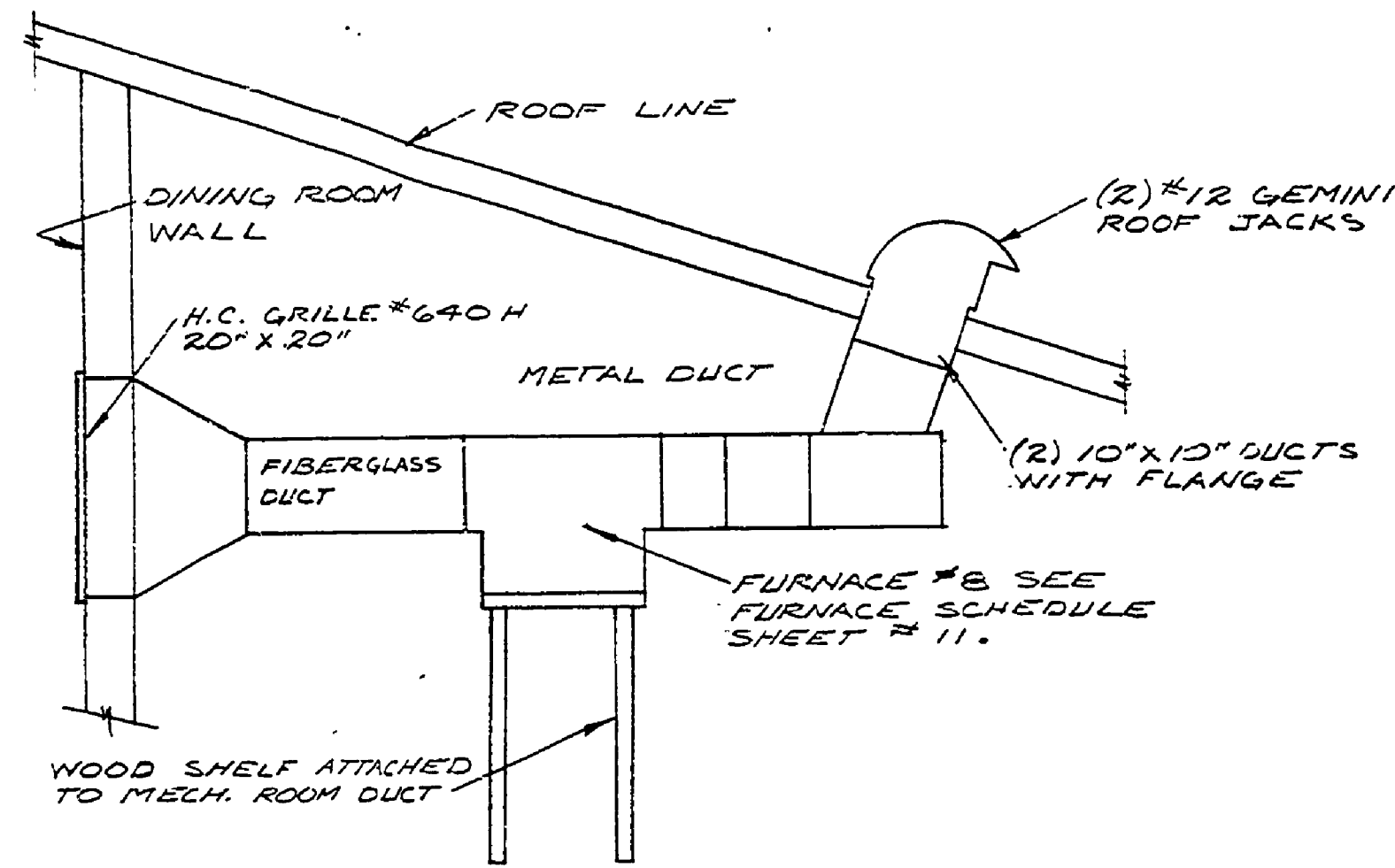
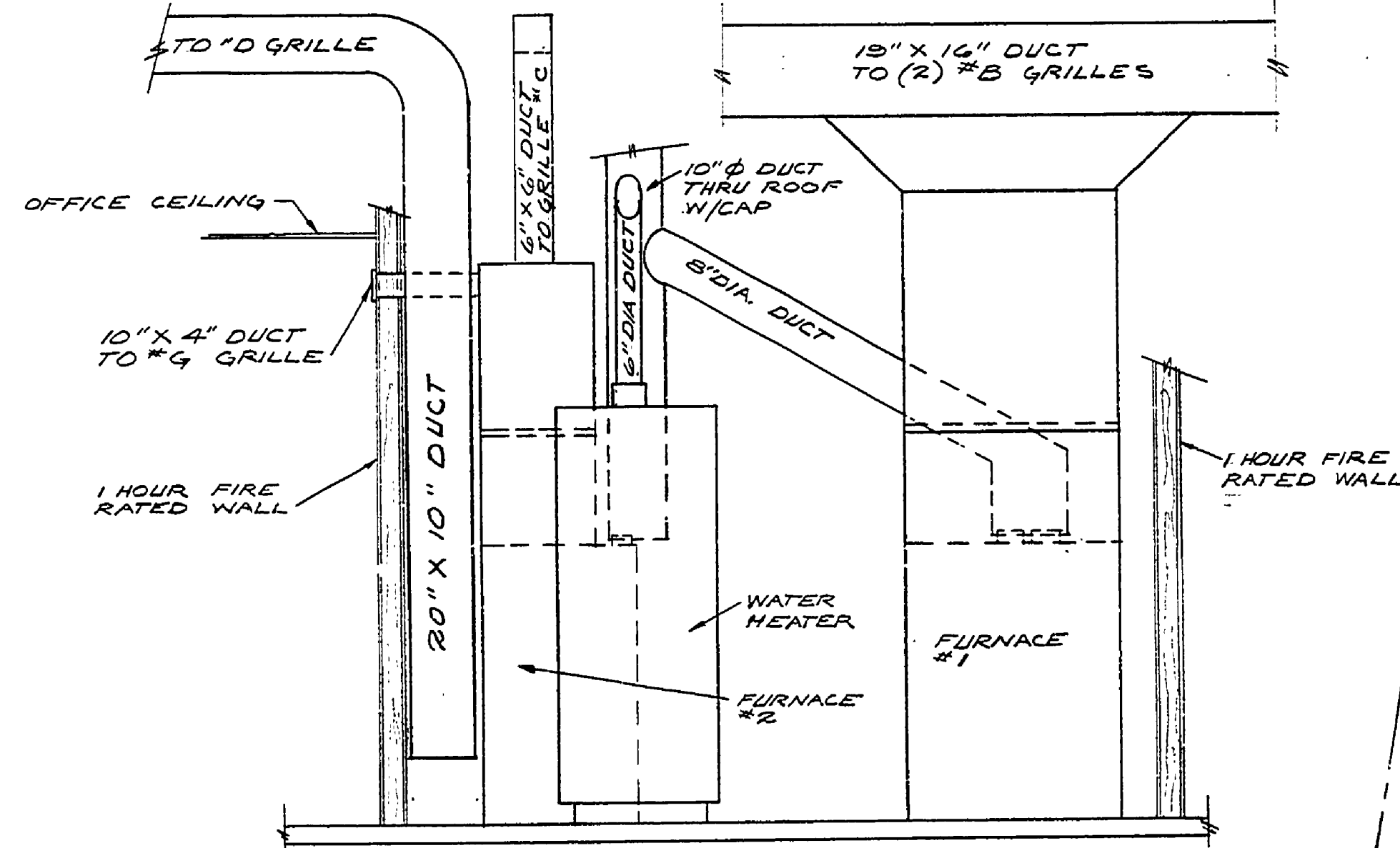


FIXTURE SCHEDULE

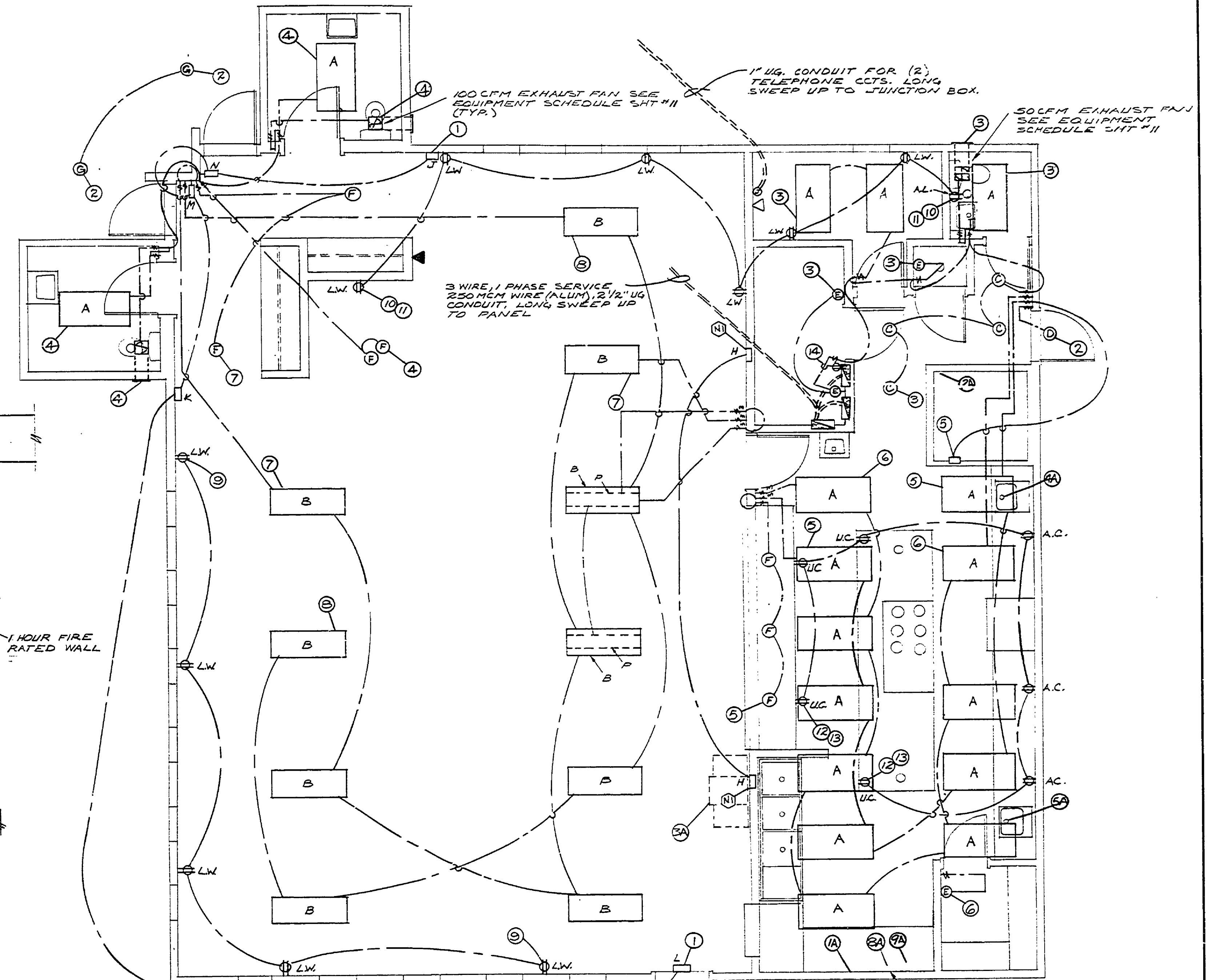
MARK	NO. REQ'D	MANUFACTURER & NUMBER	LAMP TYPE	WATT	REMARKS
A	17	DAY-BRITE #622A-4 BODY W/ #WF883 ENCLOSURE	FLUOR	2(40W) R.S.	MOUNT RECESSED PER MANUFACTURER'S INSTALLATION INSTRUCTIONS.
B	10	DAY-BRITE HALL MARK #45457-4	FLUOR	4(40W) R.S.	SURFACE MOUNT ON SUPPORTS
C	4	SOLUX #A15EDG	INCAND	1(150W)	SURFACE MOUNT
D	2	KENALL #3696	INCAND	1(100W)	SURFACE MOUNT
E	4	STANDARD PORCELAIN FIXTURE	INCAND	1(100W)	MOUNT ON WALL 7'-6" ABOVE FIN. FL.
F	4	FRESCOLITE STACCATO #1155	INCAND	1(150W) PAR38	MOUNT ON SIDE OF ROOF BEAM
G	2	KENALL #3808	INCAND	2(75W)	SURFACE MOUNT
H	2	EXIDE 4VOLT SEALED BEAM, REMOTE #F55	INCAND	D.C./A.C.	WALL MOUNT 8'-0" FROM FIN. FL. W/ MANF MOUNTING BRACKETS PROVIDED.
J	1	McPHILBEN #40W-BKI-Y-ARROW L	INCAND	2(25W)	WALL MOUNT PER MANUFACTURER'S INSTALLATION INSTRUCTIONS
K	1	McPHILBEN #40W-BKI-Y-ARROW R	INCAND	2(25W)	WALL MOUNT PER MANUFACTURER'S INSTALLATION INSTRUCTIONS
L	1	McPHILBEN #40W-BKI-Y	INCAND	2(25W)	WALL MOUNT PER MANUFACTURER'S INSTALLATION INSTRUCTIONS
M	1	McPHILBEN #40E-BKI-Y-BRK R	INCAND	2(25W)	WALL MOUNT PER MANUFACTURER'S INSTALLATION INSTRUCTIONS
N	1	McPHILBEN #40E-BKI-Y-BRK L	INCAND	2(25W)	WALL MOUNT PER MANUFACTURER'S INSTALLATION INSTRUCTIONS
P	2	DAY-BRITE CHAN-L-ITE #48240-4	FLUOR	2(40W)	MOUNT FACING UP ON TOP OF (2) "B" FIXTURES IN DINING ROOM



DETAIL OF FURNACE #8 LOCATED AT DINING ROOM WALL OVER MECH. ROOM
N.T.S.



DETAIL OF MECHANICAL ROOM INCLUDING FURNACES #1 AND #2
N.T.S.

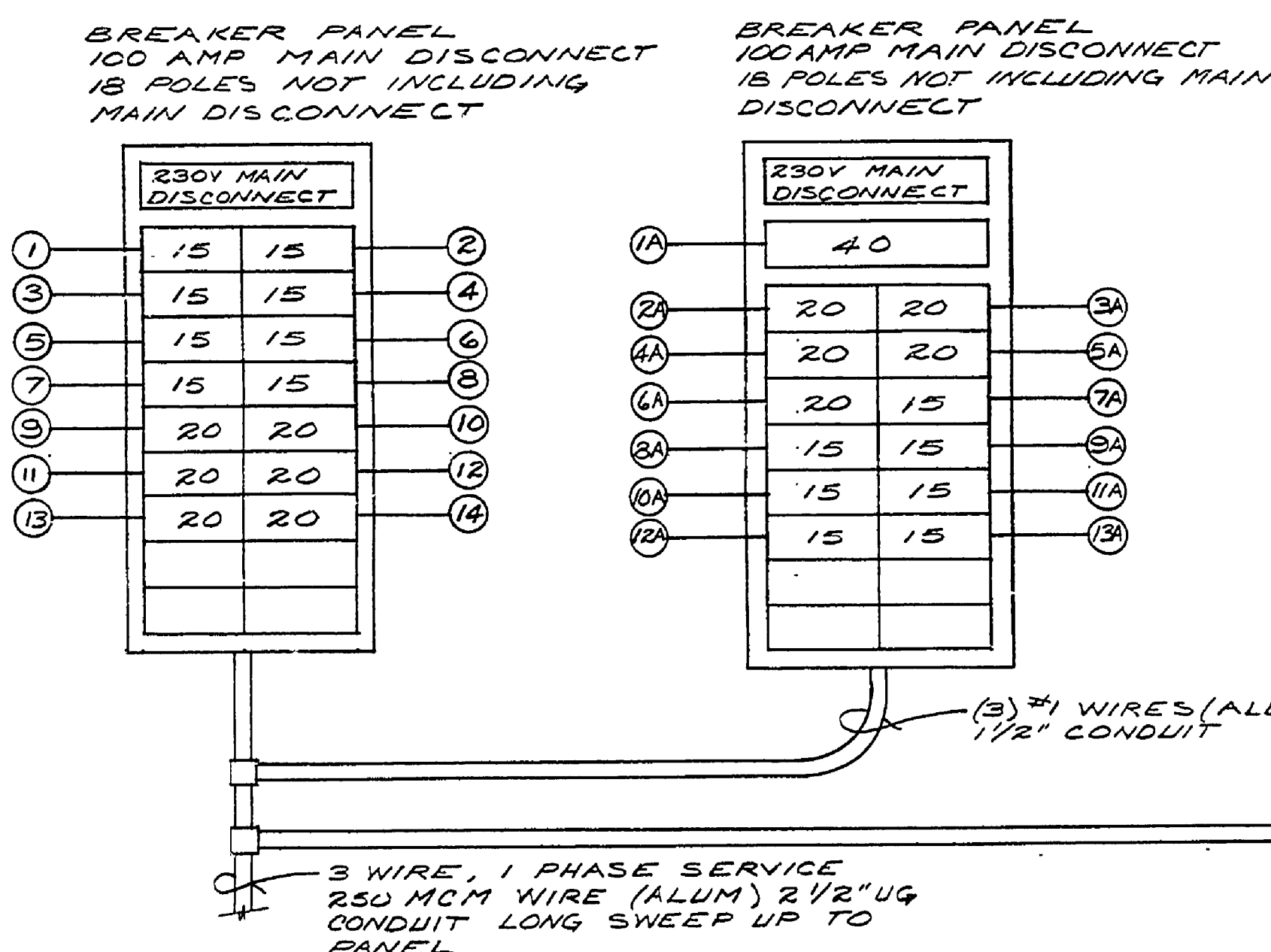


NOTE: NEED FOR BOOSTER, GARBAGE DISPOSAL & WASHER PUMP (1-230V & 2-115V) SPECIAL FROM BUILDING.
STUB-OUT ALL CONDUIT 6'-0" (MIN.) FROM BUILDING.

ELECTRICAL CTS. NOT SHOW ON THIS SHEET CAN BE LOCATED ON SHEET #11, HEATING PLAN.

LEGEND:

⊕	TELEPHONE JUNCTION BOX
⊖	PUBLIC TELEPHONE
⊙	PRIVATE TELEPHONE
—	UNDERGROUND
⊞	230V CONVENIENCE OUTLET
⊟	115V CONVENIENCE OUTLET
⊠	ELECTRICAL SWITCH
⊡	3-WAY SWITCH
⊢	EMERGENCY LIGHTING CIRCUIT
L.W.	LOW WALL
A.C.	ABOVE COUNTER
U.C.	UNDER COUNTER
A.L.	ABOVE LAVATORY



CIRCUIT DATA

1	115V	LIGHTING - EXIT LIGHTS
2	115V	LIGHTING - EXTERIOR NIGHT LIGHTS
3	115V	LIGHTING - KITCHEN CORRIDOR, OFFICE, EMPLOYEES TOILET & MECH TOILET
4	115V	LIGHTING - MEN'S & WOMEN'S TOILETS, DINING ALCOVE & TOILET EXHAUST FANS
5	115V	LIGHTING - KITCHEN; SERVING COUNTER & COOLER LITE.
6	115V	LIGHTING - KITCHEN & DRY STORAGE
7	115V	LIGHTING - DINING AREA & ENTRANCE CORRIDORS
8	115V	LIGHTING - DINING AREA & INSIDE NIGHT LIGHTS
9	115V	CONV. OUTLETS - DINING AREA
10	115V	CONV. OUTLETS - TOP RESEP - DINING AREA, OFFICE & EMPLOYEE TOILET
11	115V	CONV. OUTLETS - BOTTOM RESEP - DINING AREA, OFFICE & EMPLOYEE TOILET
12	115V	CONV. OUTLETS - TOP RESEP - KITCHEN
13	115V	CONV. OUTLETS - BOTTOM RESEP - KITCHEN
14	115V	CONV. OUTLETS - MECH ROOM.
1A	230V	DISHWASHER BOOSTER HEATER
2A	1/2 H.P.	COOLER COMPRESSOR
3A	1/2 H.P.	WATER DISPENSER
4A	1/2 H.P.	GARBAGE DISPOSAL
5A	1/2 H.P.	GARBAGE DISPOSAL
6A	1/2 H.P.	LARGE FURNACE
7A	1/4 H.P.	SMALL FURNACE
8A	1/4 H.P.	DISHWASHER
9A	1/3 H.P.	GARBAGE DISPOSAL
10A	1/6 H.P.	HOOD EXHAUST
11A	1/8 H.P.	MAKE-UP AIR
12A	1/8 H.P.	HOOD EXHAUST
13A	1/8 H.P.	DINING EXHAUST

SURVEYED BY	DRAWN BY S. BAKUS	1/74	NO.	DATE	BY	REVISIONS	NO.	DATE	BY	REVISIONS	MICHIGAN DEPARTMENT OF NATURAL RESOURCES	MECHANICAL: ELECTRICAL PLAN SHEET TITLE	SLEEPER STATE PARK AREA OR PARK PROJECT MESS HALL	PROJECT NO. 24-1421	SHEET 9 OF 11 PLAN NO. A-115
DESIGNED BY T.P.	CHECKED BY T.P.	1/74	1.				3.								
			2.				4.								