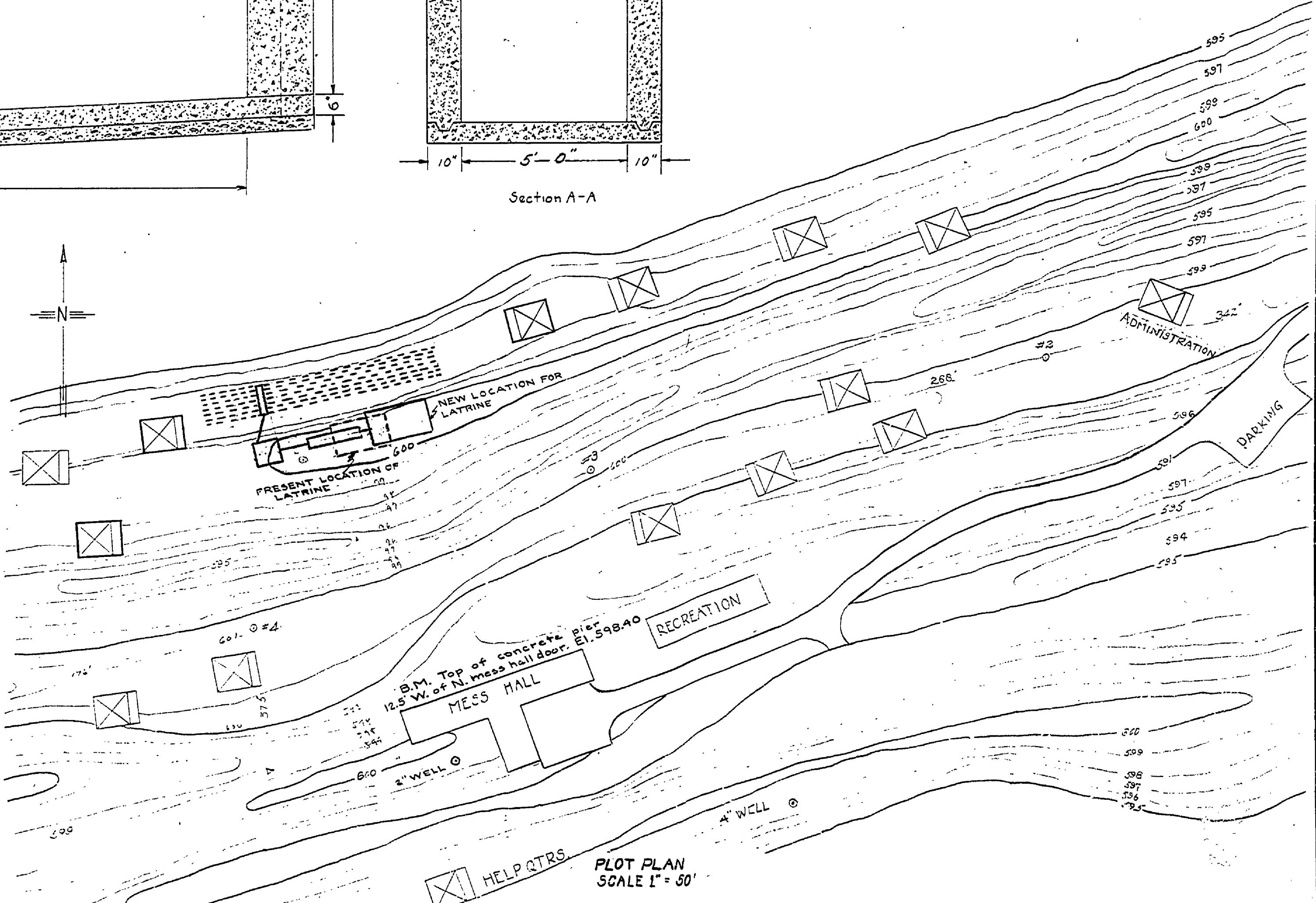
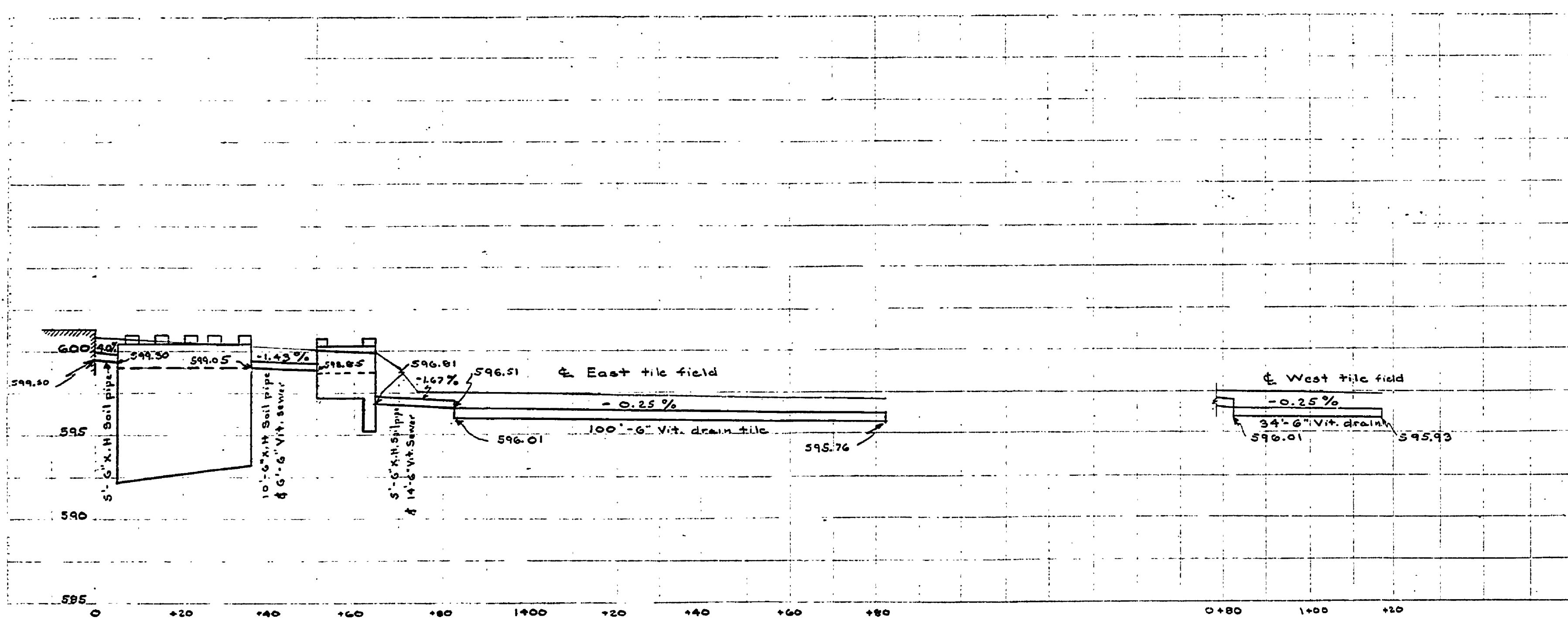
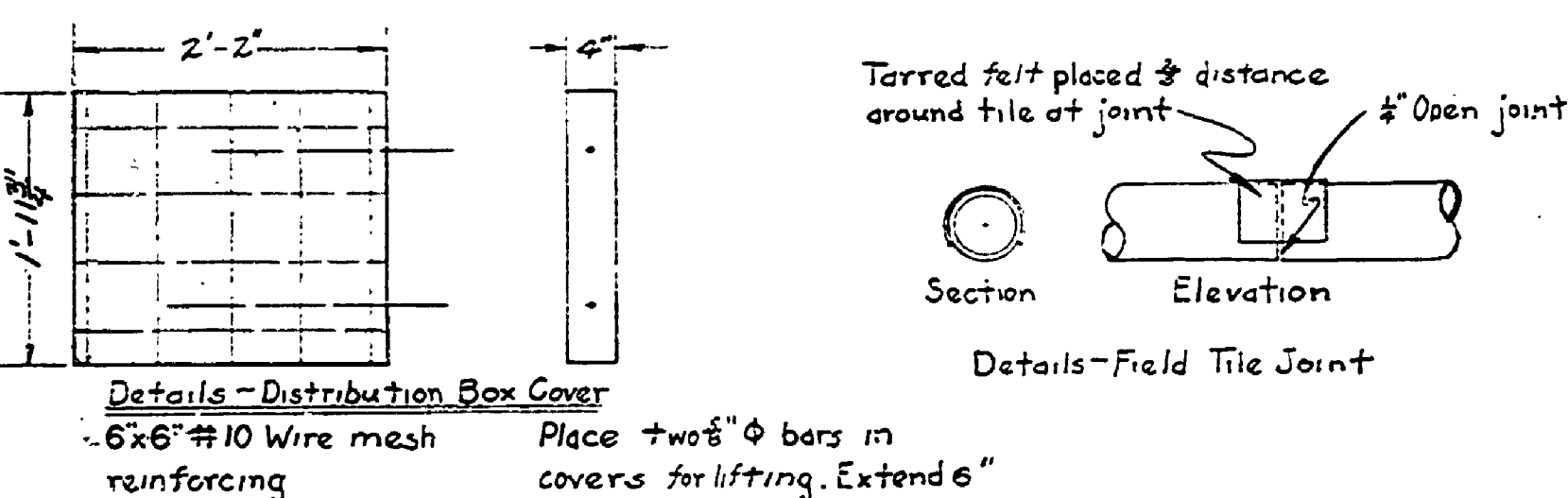
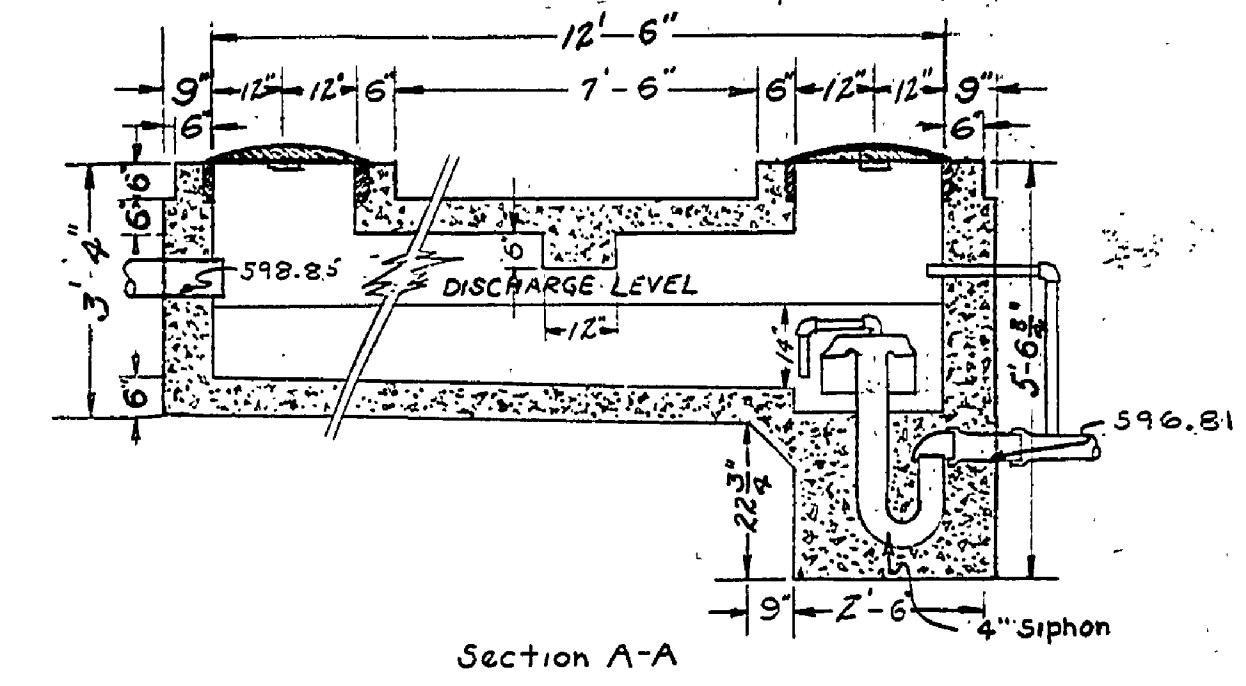
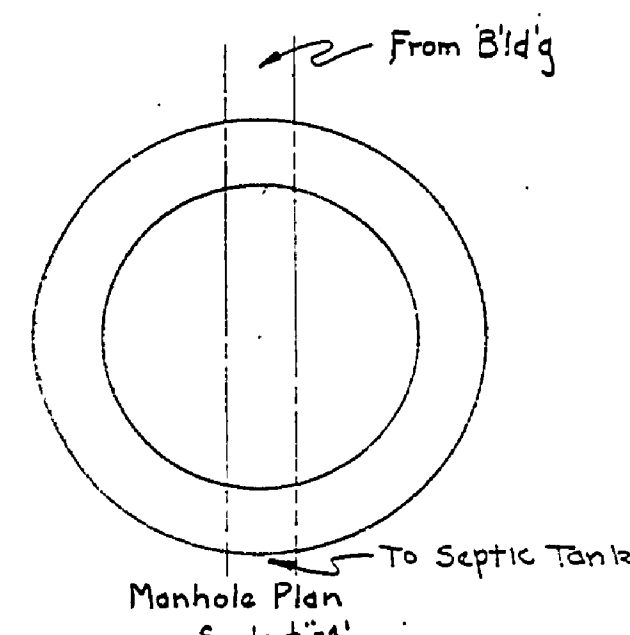
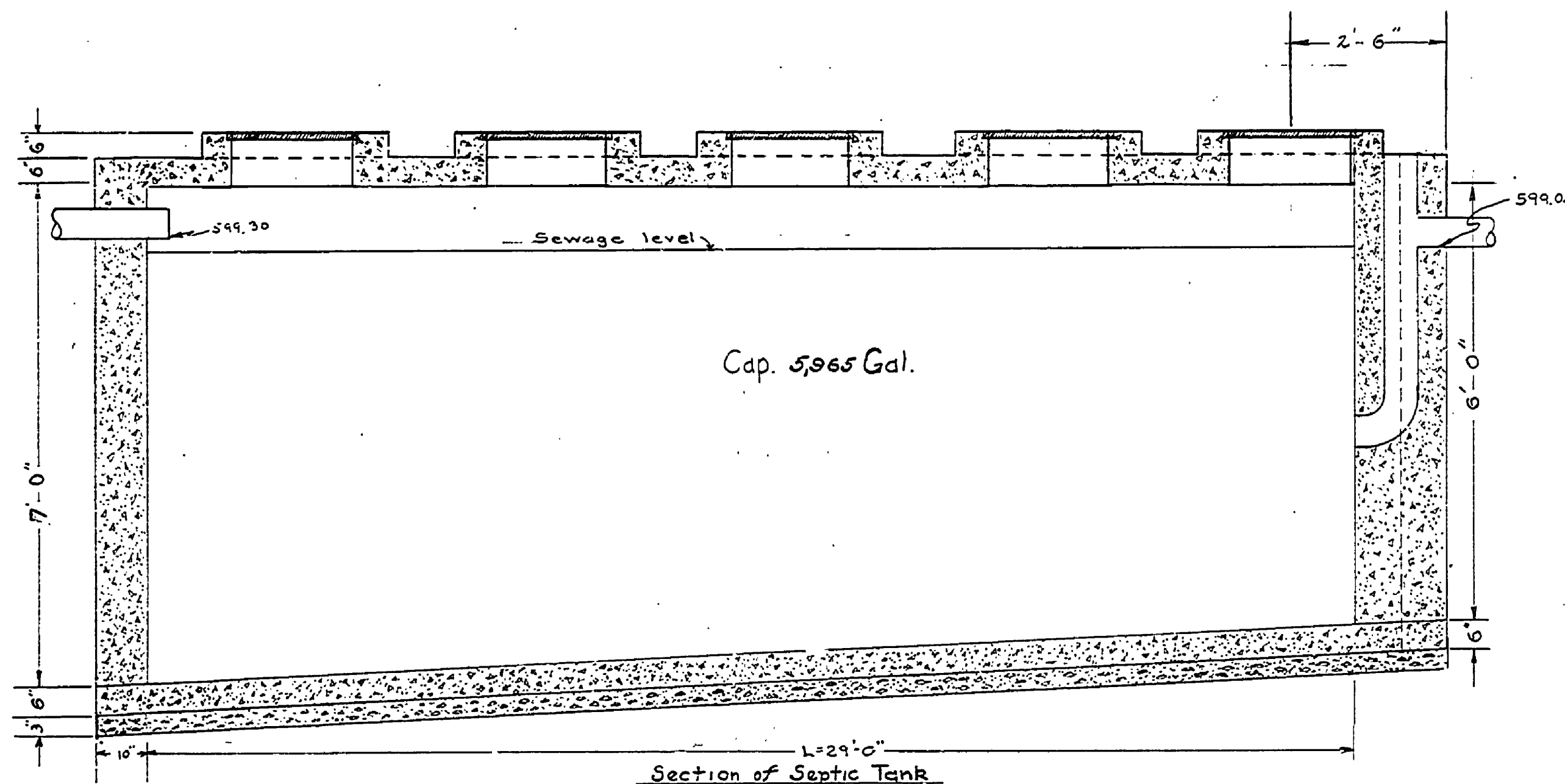
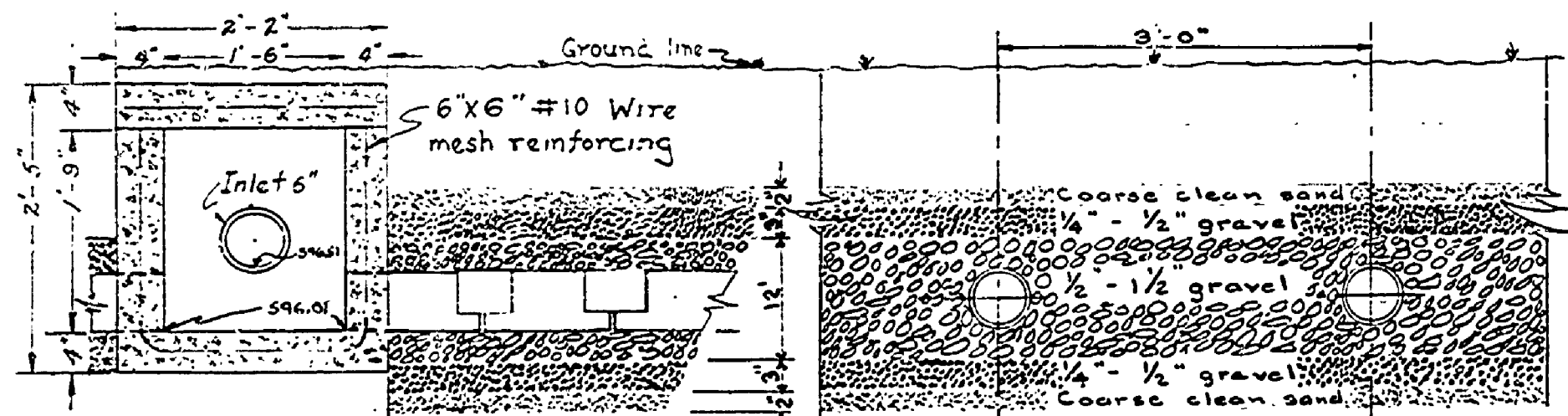
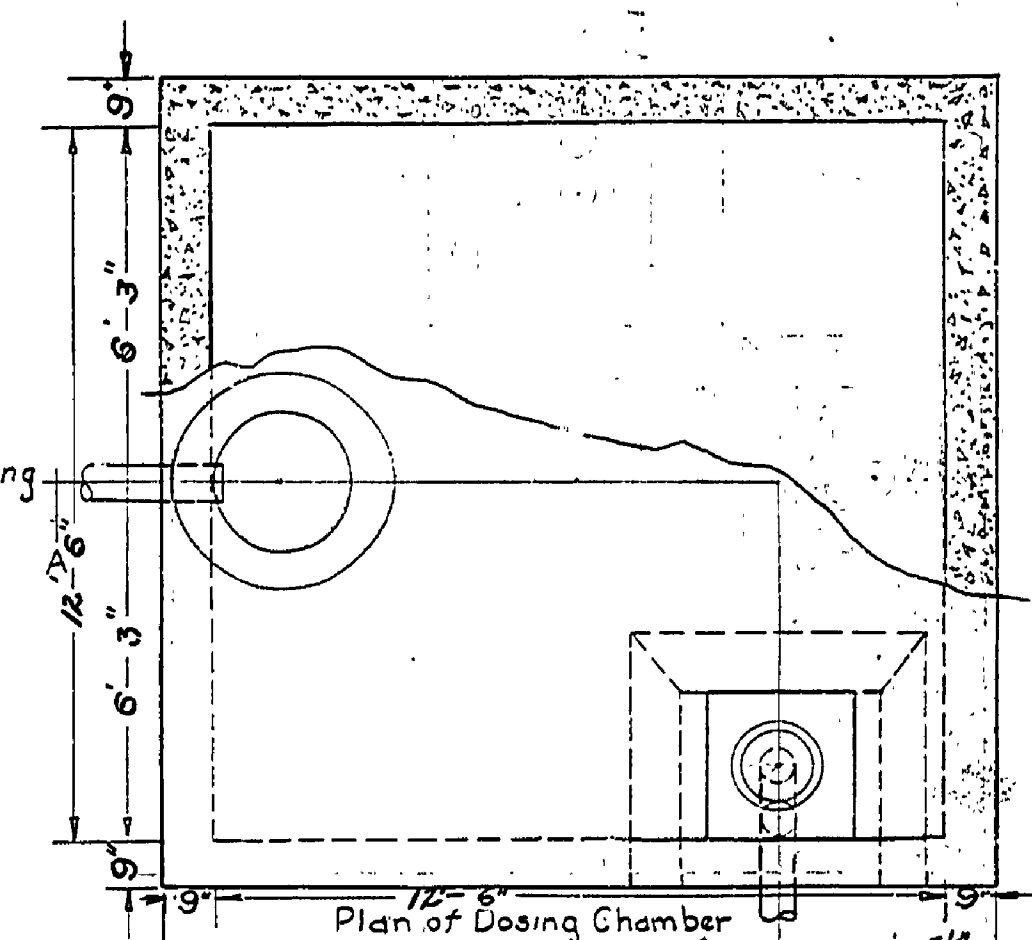
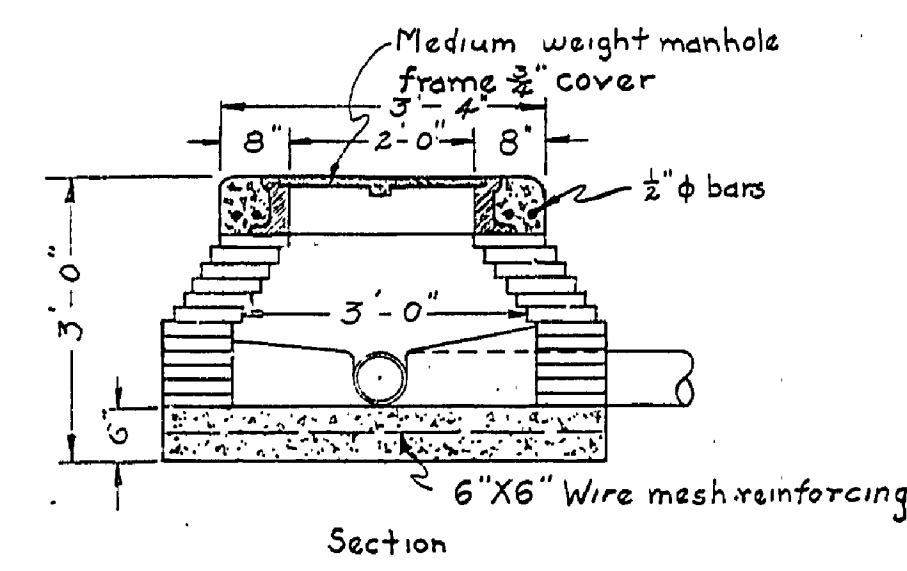
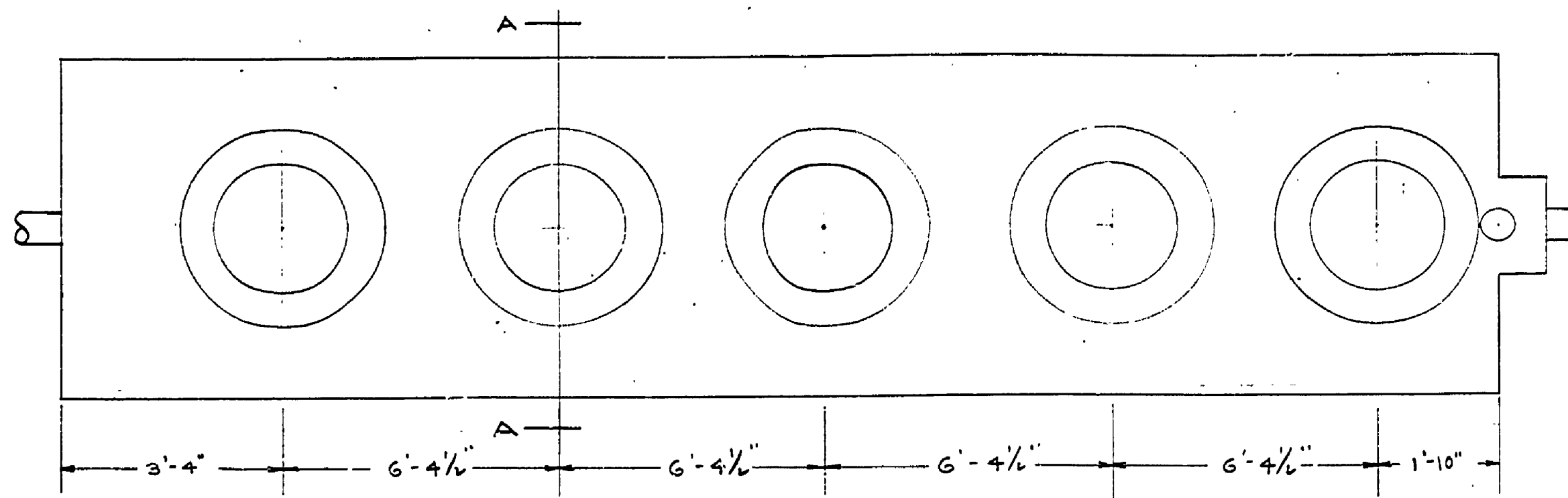
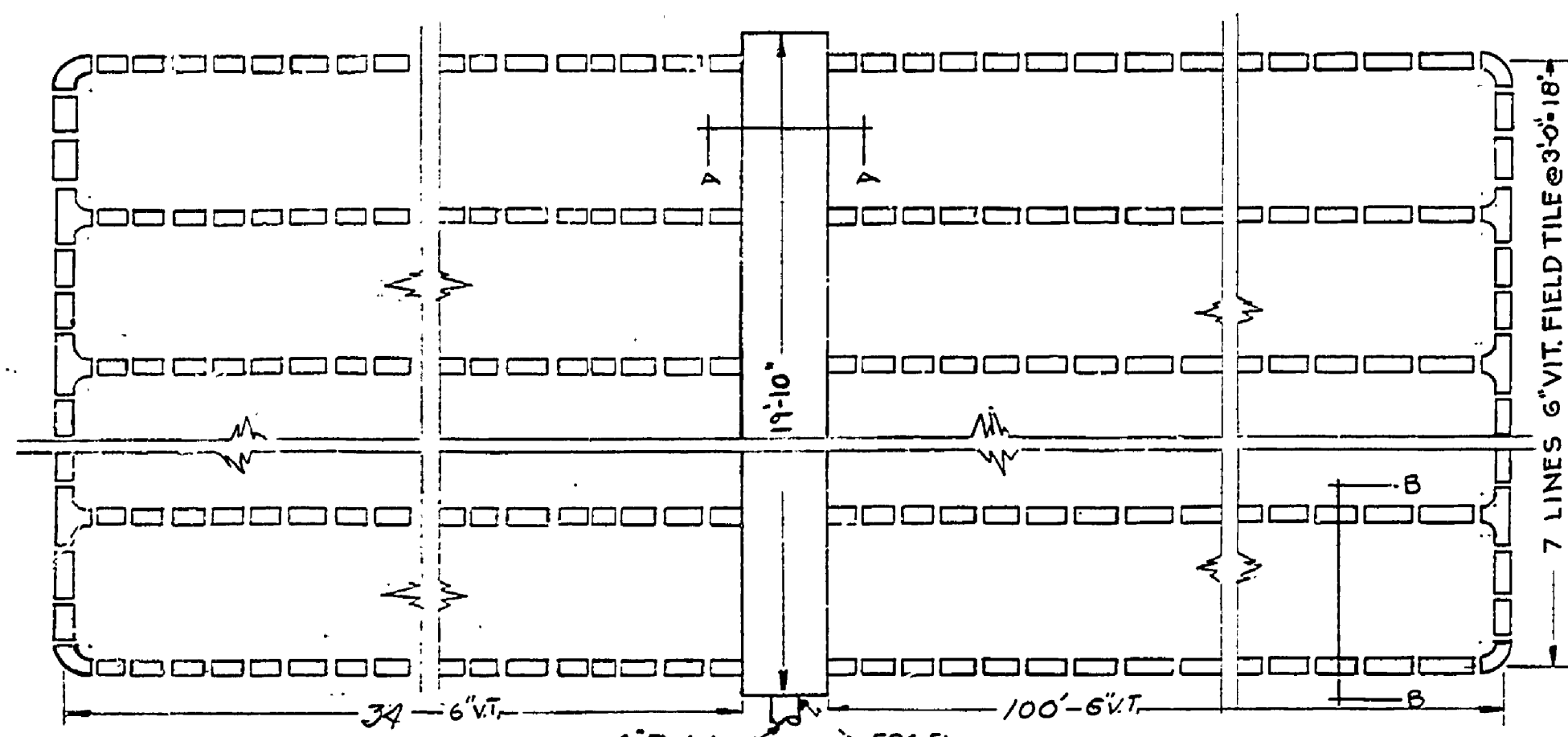


DRAWN BY R. B. KEB	REVIEWED BY SECTIONS ARCHITECTURAL ENGINEERING LANDSCAPE	DATE 6 Aug. 1946	APPROVED BY <i>[Signature]</i>	NO. DATE BY	REVISIONS	DATE BY
		CHECKED BY E. J. P.	ASSISTANT CHIEF IN CHARGE DATE 8-30-46	1	4	
				2	5	
				3	6	



MICHIGAN
DEPARTMENT OF CONSERVATION
STATE PARKS DIVISION

SEWAGE DISPOSAL SYSTEM
LATRINE BLDG.
SLEEPER STATE PARK GROUP CAMP

SHEET
NO. 1
OF 3

PLAN NO.
E-101