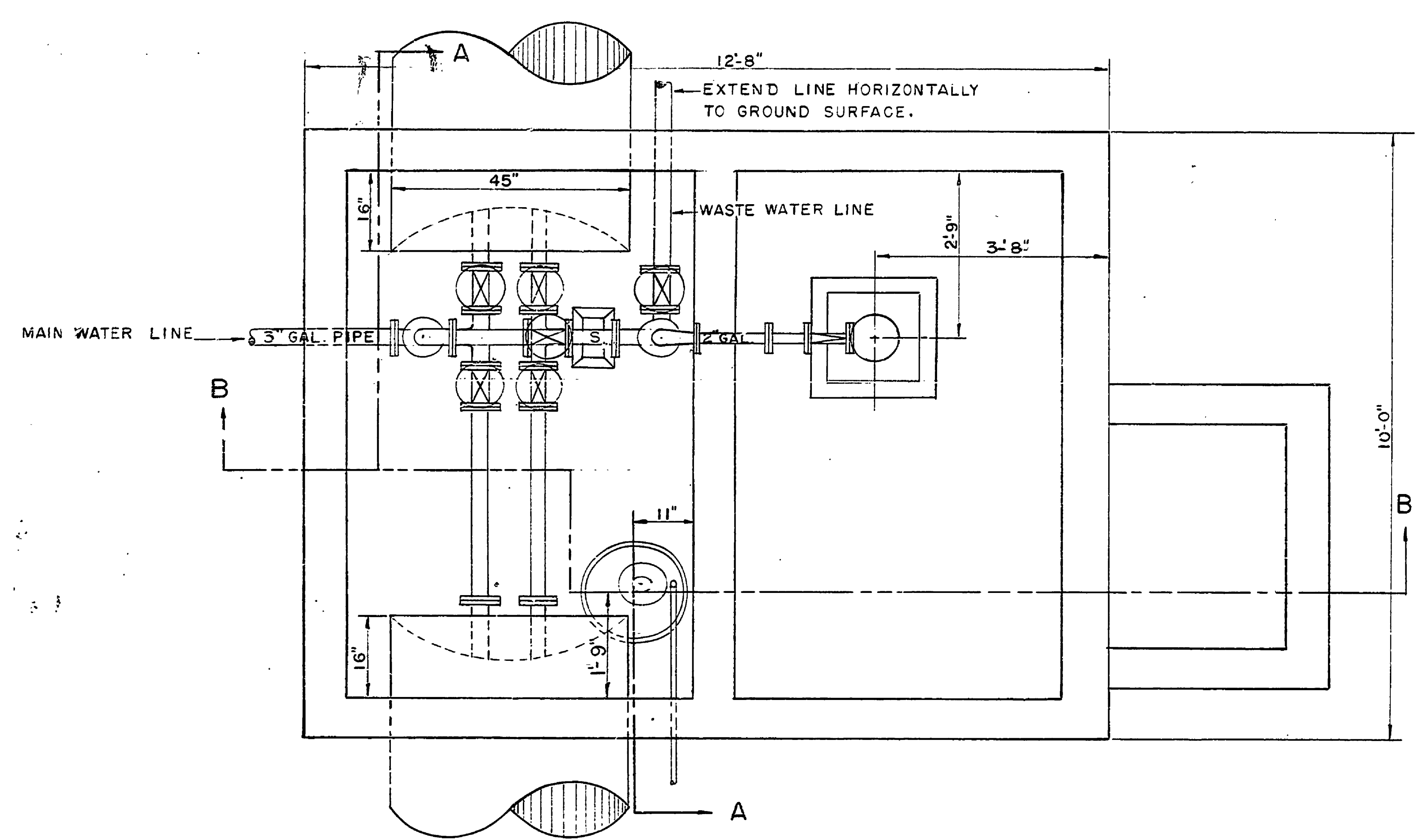
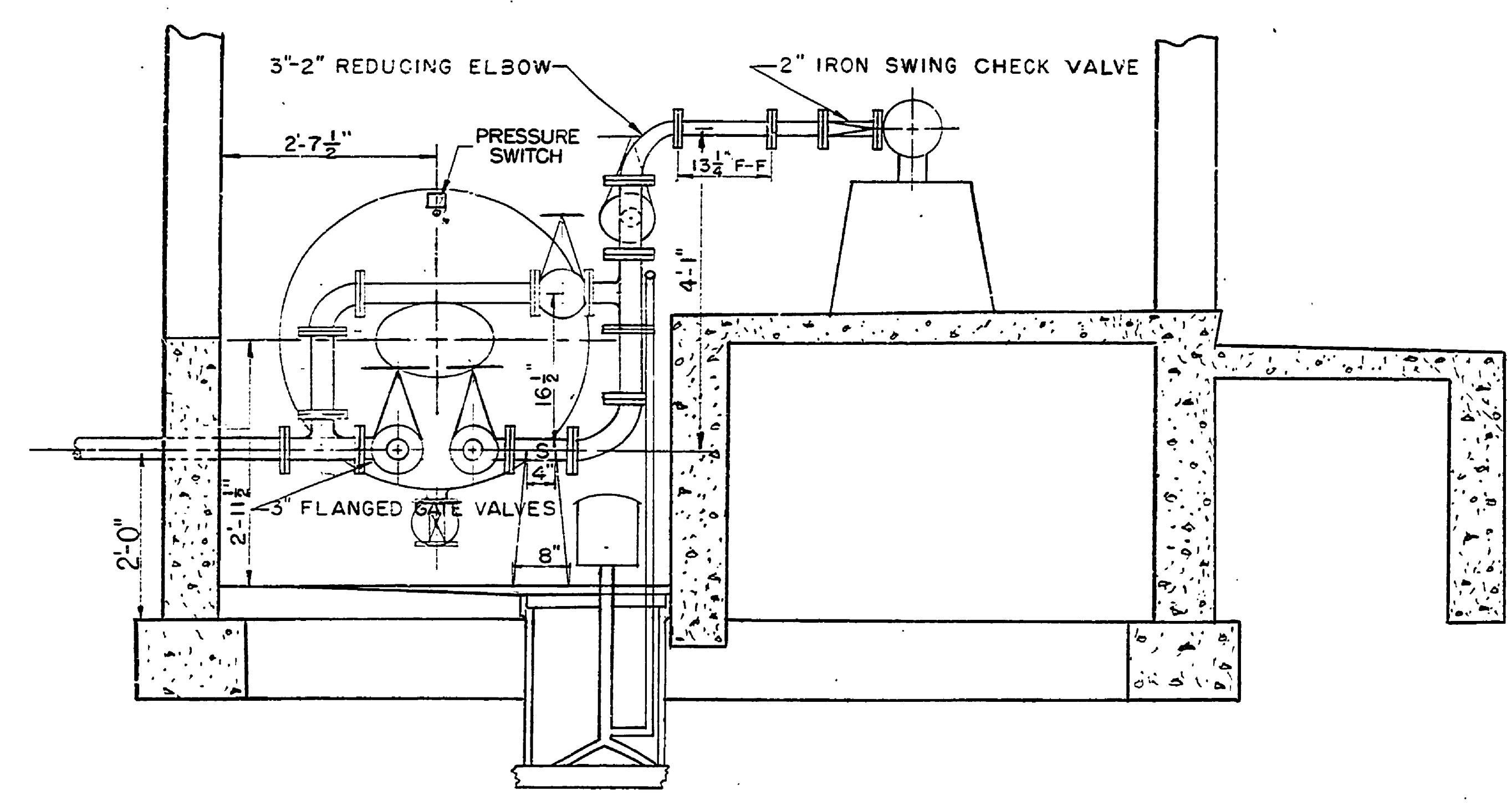


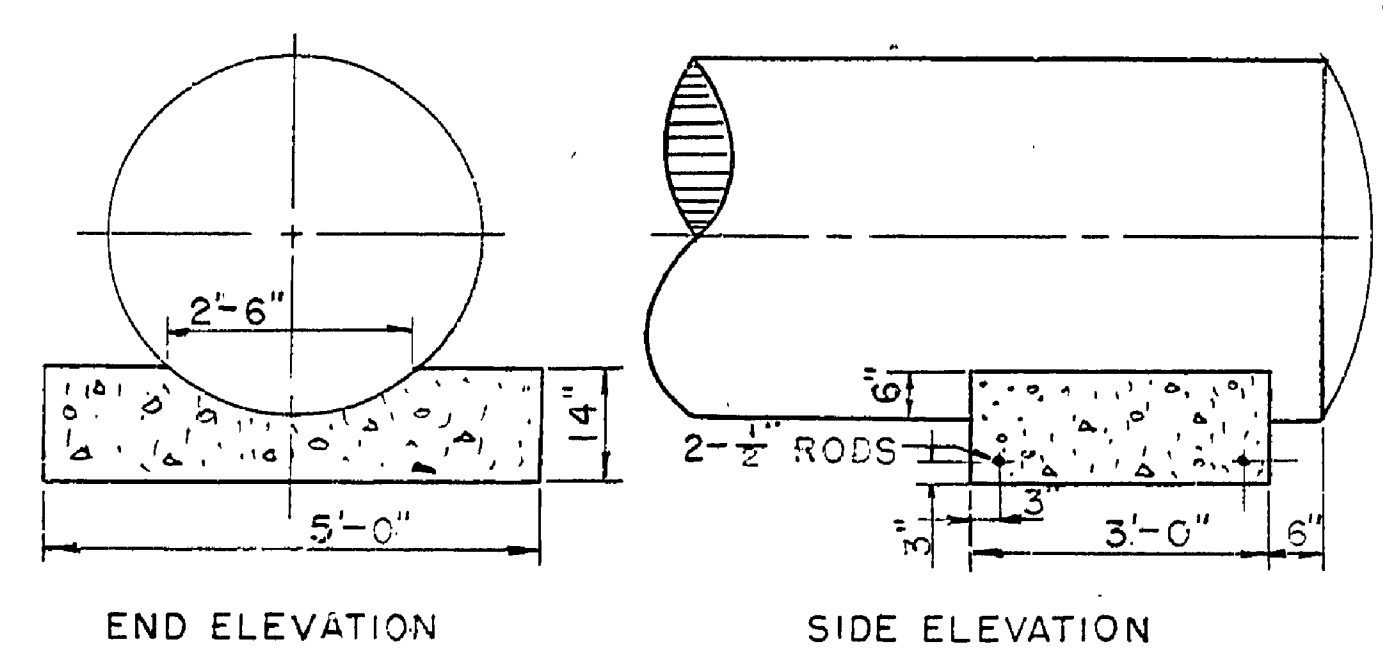
DRAWN BY J. D. M.	CHECKED BY E. J. P.	DATE 3-27-47	REVIEWED BY SECTIONS			APPROVED BY			NO. DATE BY			REVISIONS		
			ARCHITECTURAL	ENGINEERING	LANDSCAPE	A.H.S.	H.C.H.	D.A.W.	3-27-47	27/10-47	8-27-47	1	2	3
			ASSISTANT CHIEF IN CHARGE			DATE								



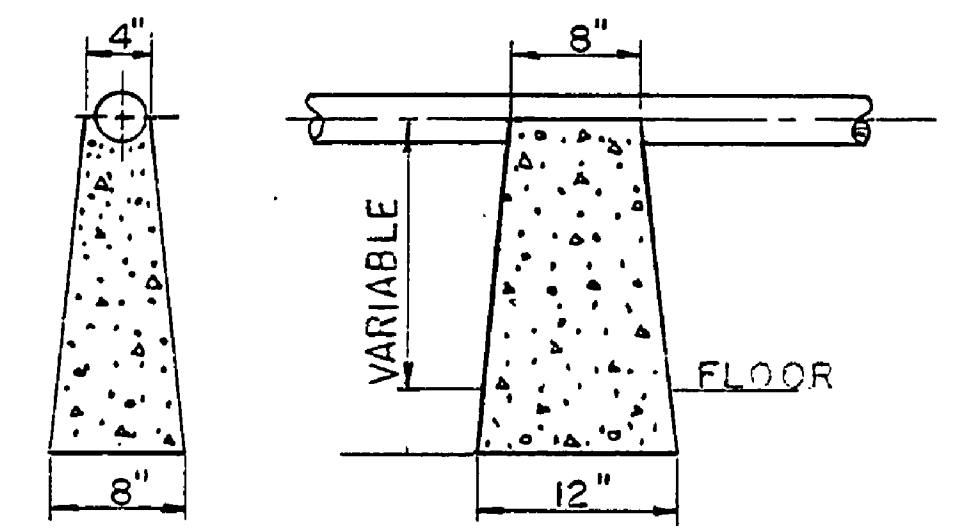
FLOOR PLAN



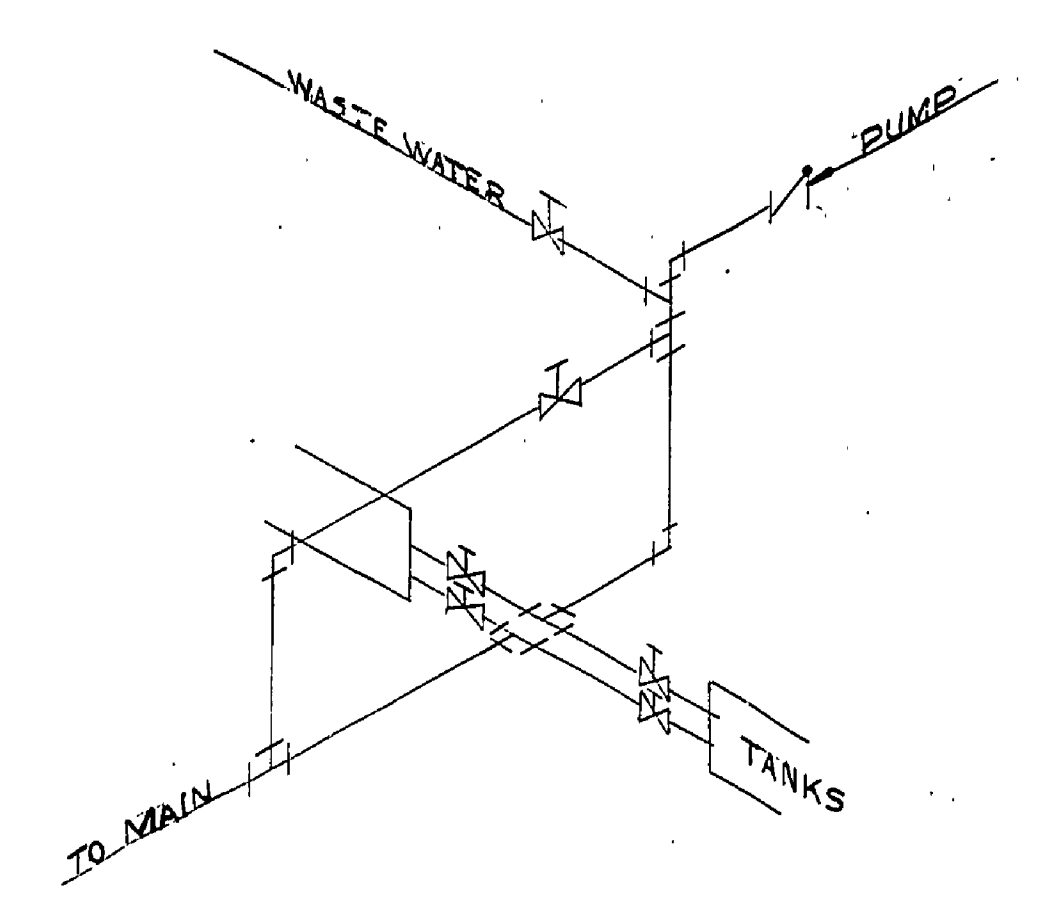
SECTION B-B



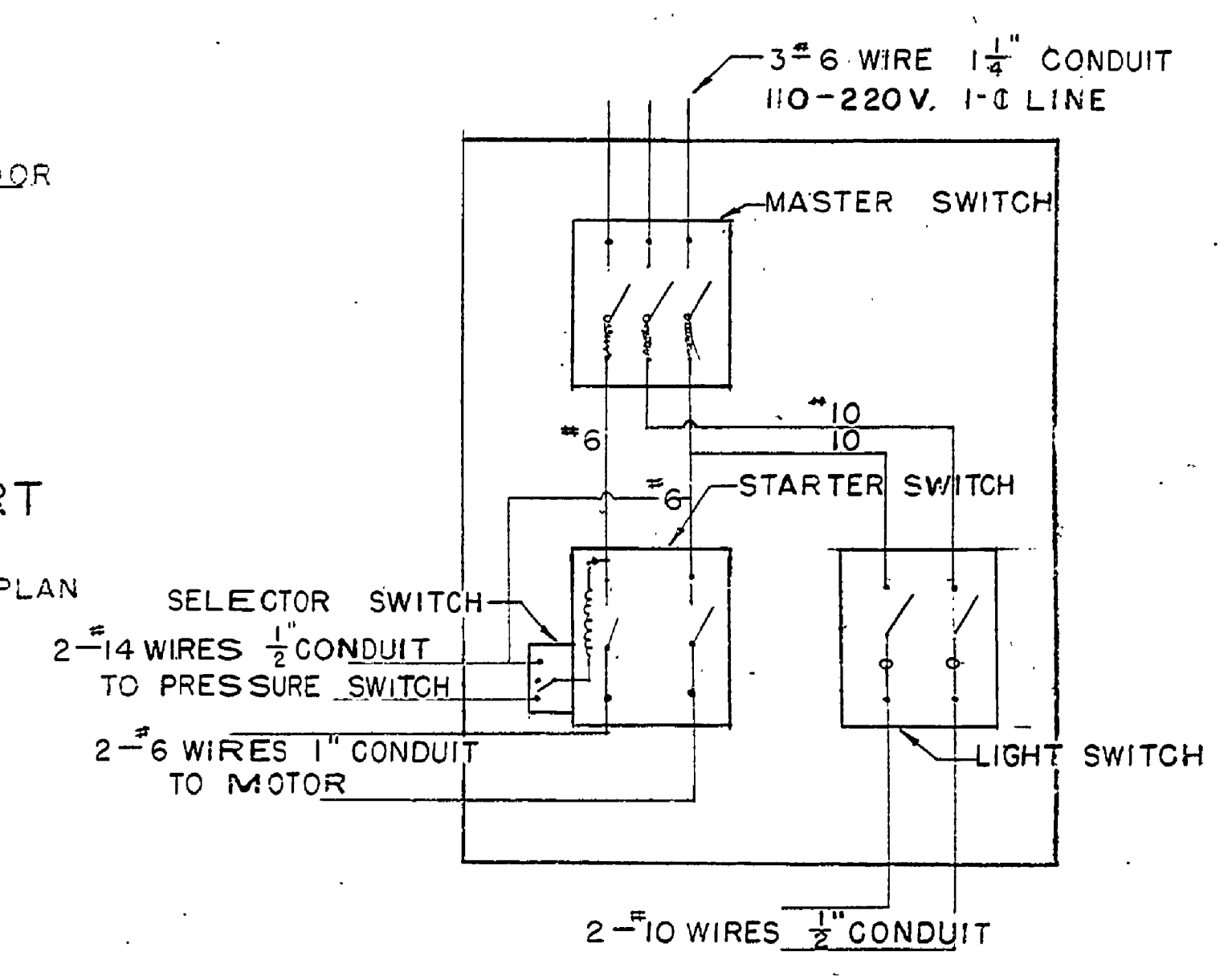
DETAIL OF TANK SUPPORT
SCALE 1/2" = 1"



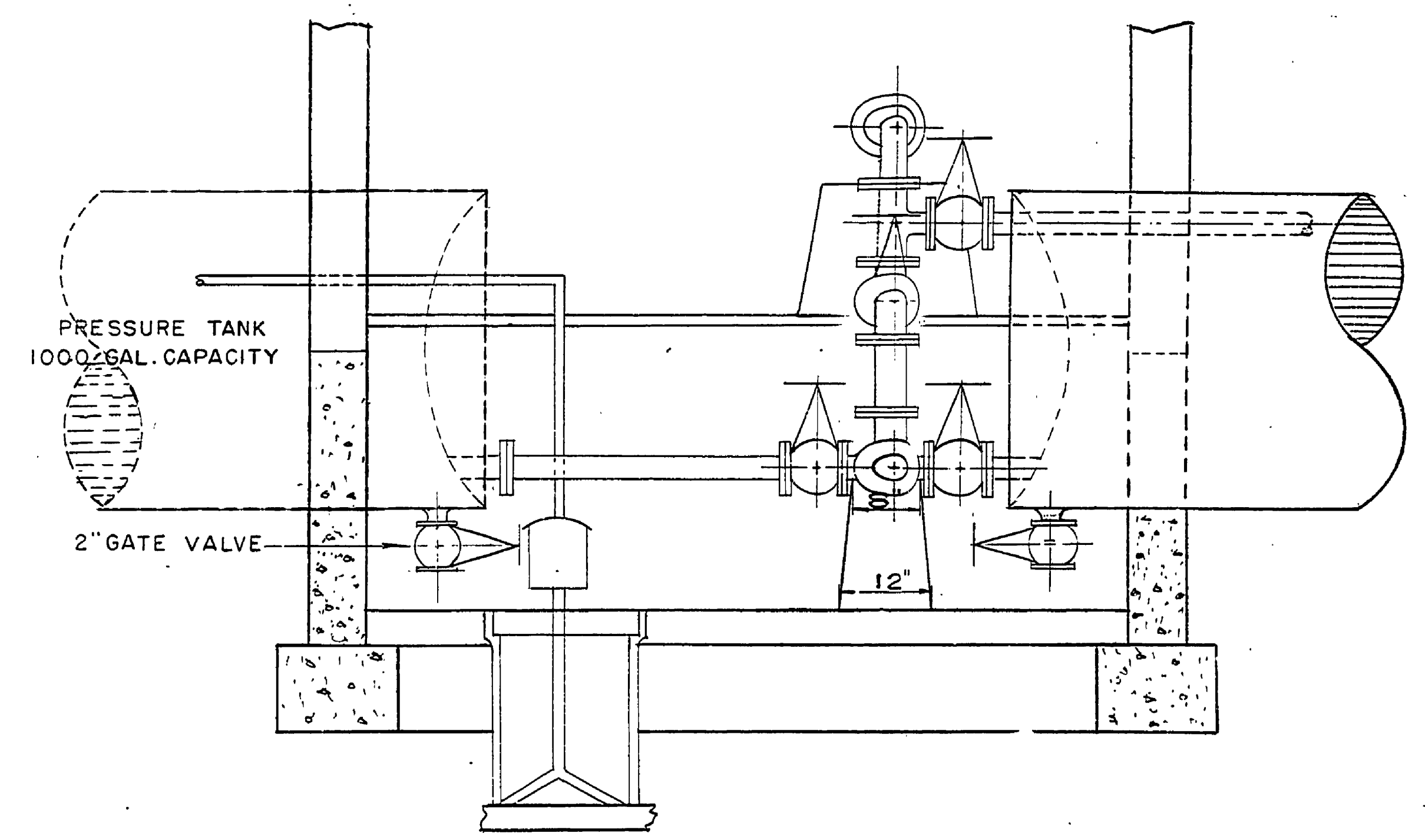
DETAIL OF PIPE SUPPORT
PLACE SUPPORT AT POINT INDICATED ON PLAN
ELEV. BY LETTER "S": SCALE 1" = 1'



ISOMETRIC



SWITCHBOARD PLAN



SECTION A-A