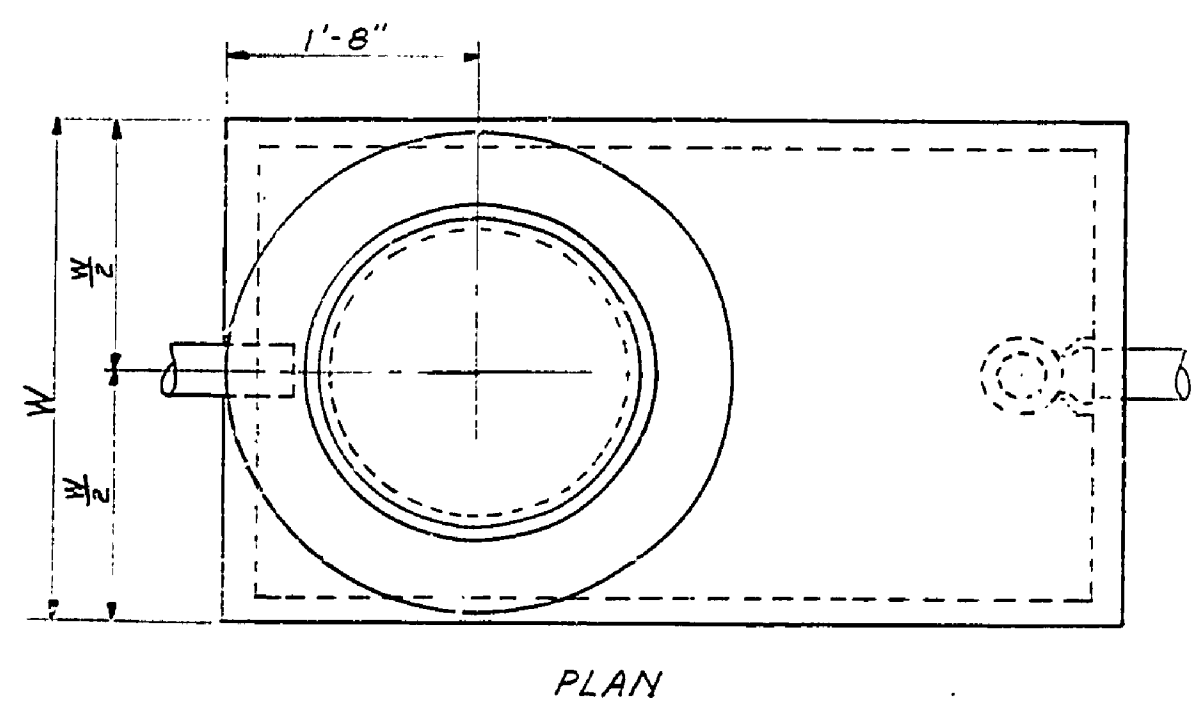
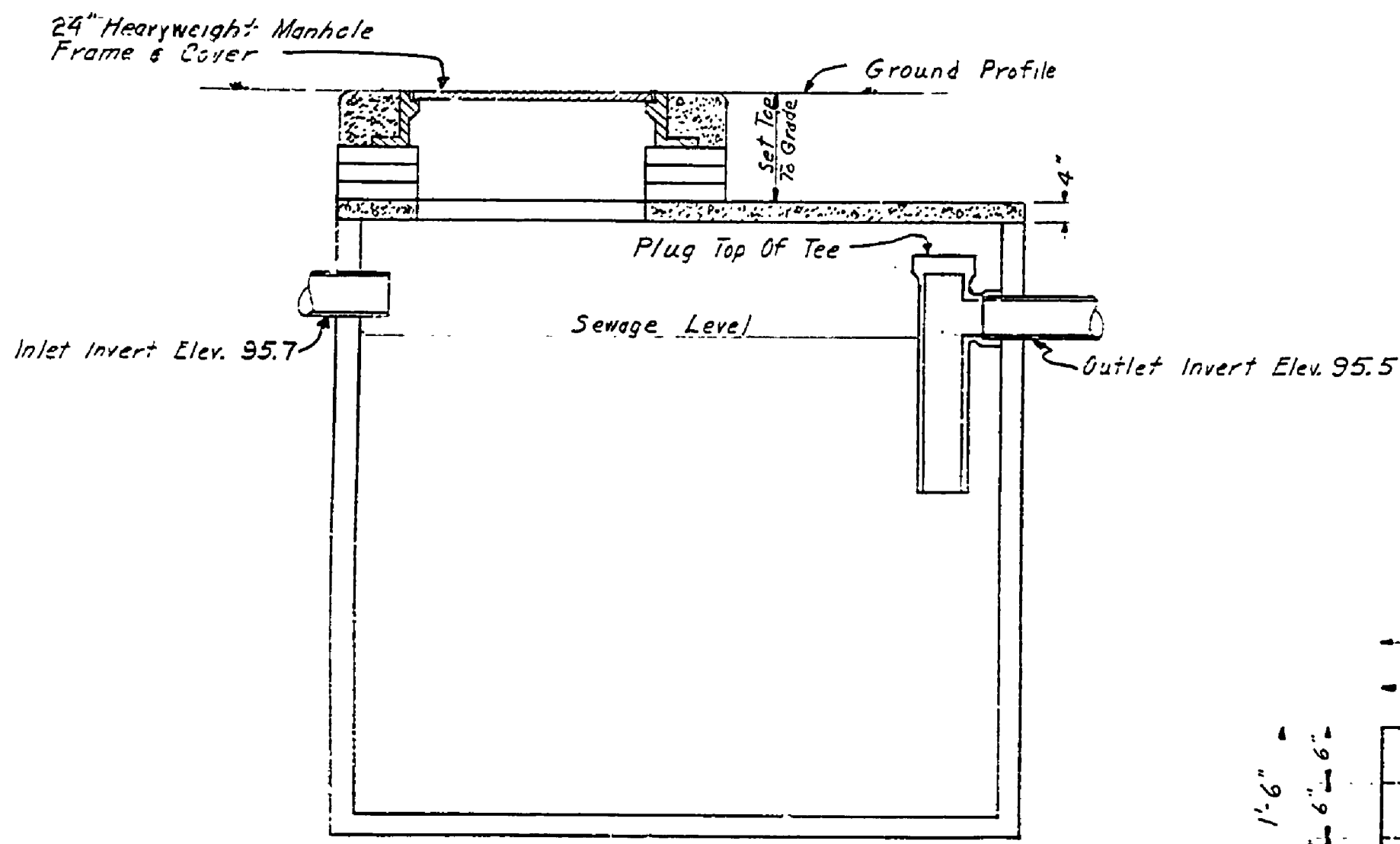


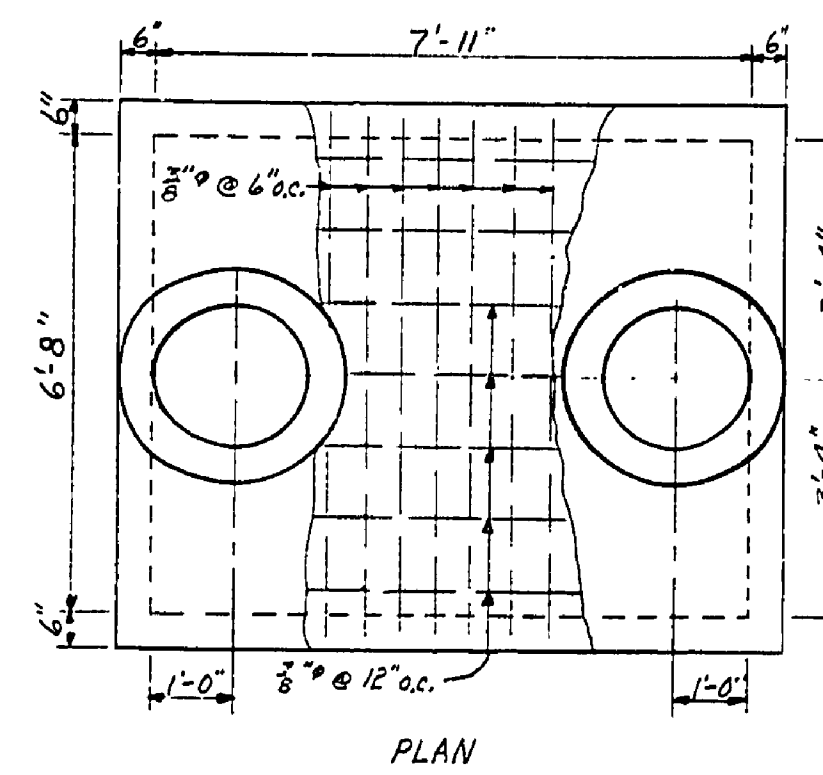
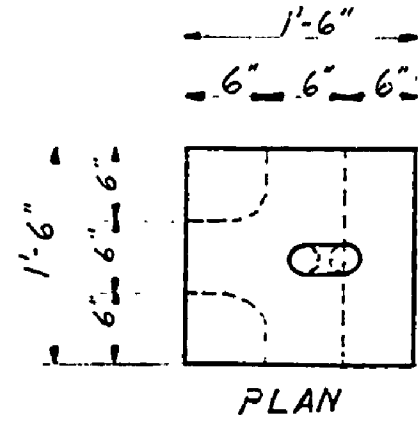
REVISIONS	NO.	DATE	BY
	1		
	2		
	3		
	4		
	5		
APPROVED BY	DATE	BY	
	2-6-53		
	1/6/53		
	2-12-53		
REVIEWED BY SECTIONS	DATE	BY	
	2-6-53		
	1/6/53		
	2-12-53		
DRAWN BY	DATE	BY	
	2-6-53		
	1/6/53		
	2-12-53		



NOTES FOR 500 GALLON SEPTIC TANK
 Tank Will Be Ordered Without A Cover.
 Pour A New Cover With 24" Dia Opening
 As Shown. Reinforce With 6"x6" No. 10
 Mesh Reinforcing.
 Leave One End Of Excavation Open So
 Truck Can Get In To Lower Tank.
 Excavation Will Be Approx. 7'x4'x6'6" Deep

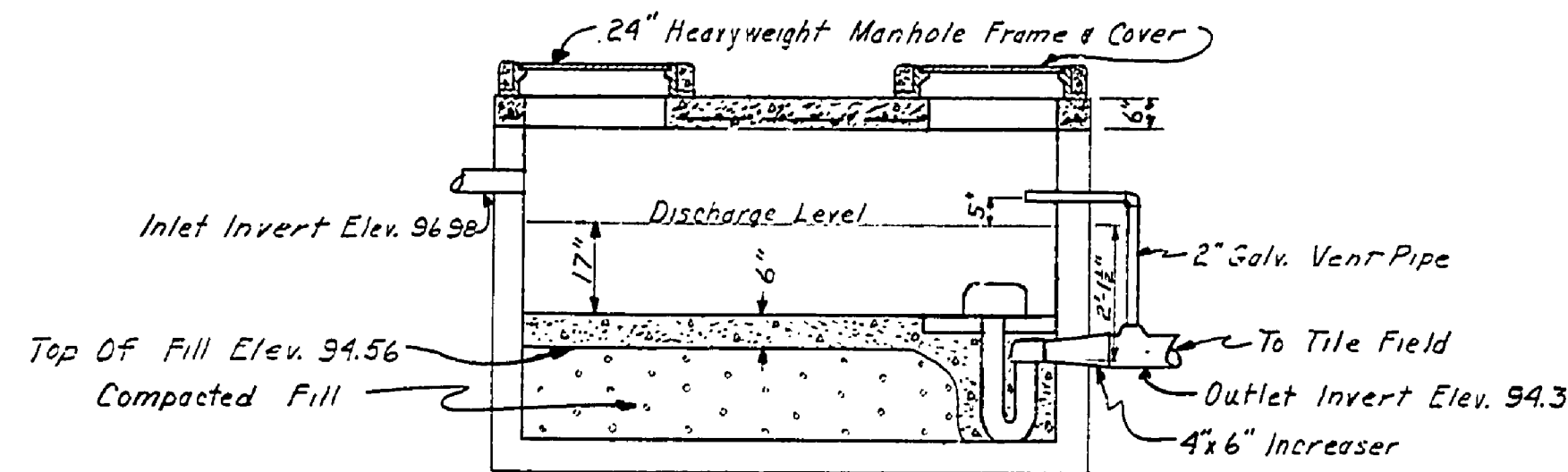


500 GALLON PRECAST SEPTIC TANK
 Not To Scale

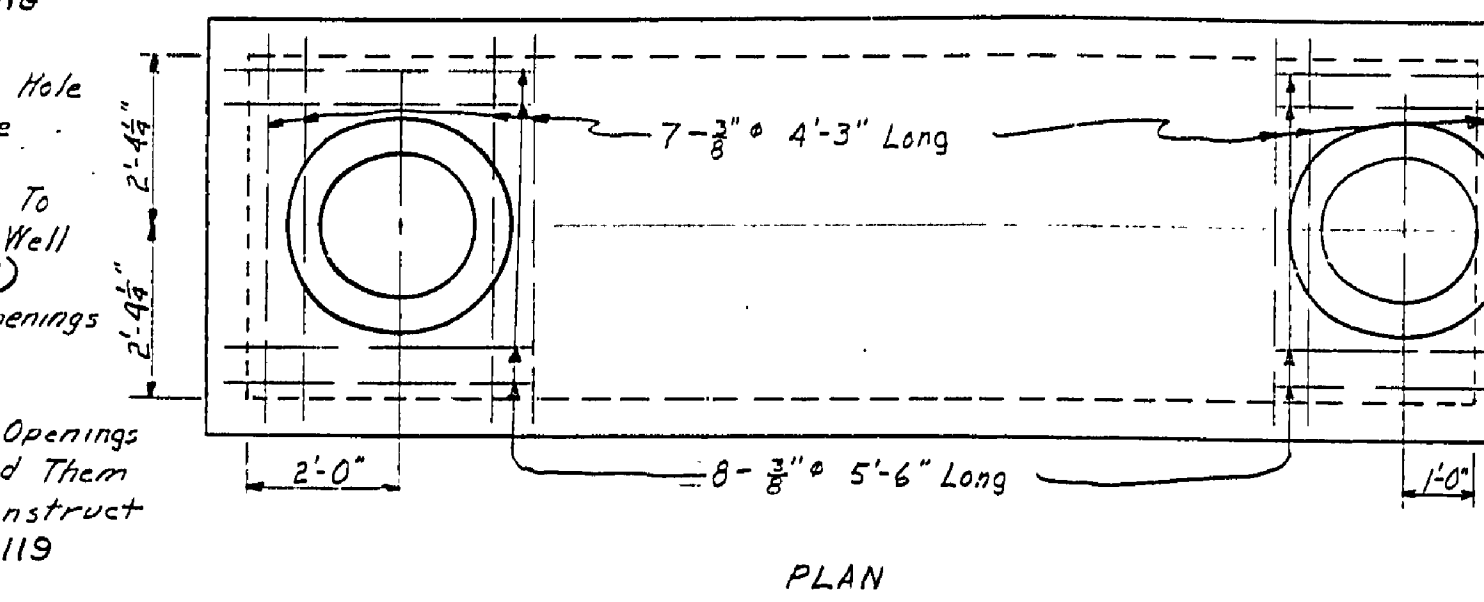


NOTES FOR EXISTING DOSING CHAMBER
 Remove Existing Siphon And Plug Hole
 In Wall. Set Siphon To Discharge
 Through Adjacent Wall As Shown.
 Fill Dosing Chamber With Gravel To
 Elev. 94.56. Make Sure Gravel Is Well
 Compacted. (Use Pit Run Gravel)
 Pour A New Top With 2'-24" Openings
 As Shown. Reinforce As Shown.

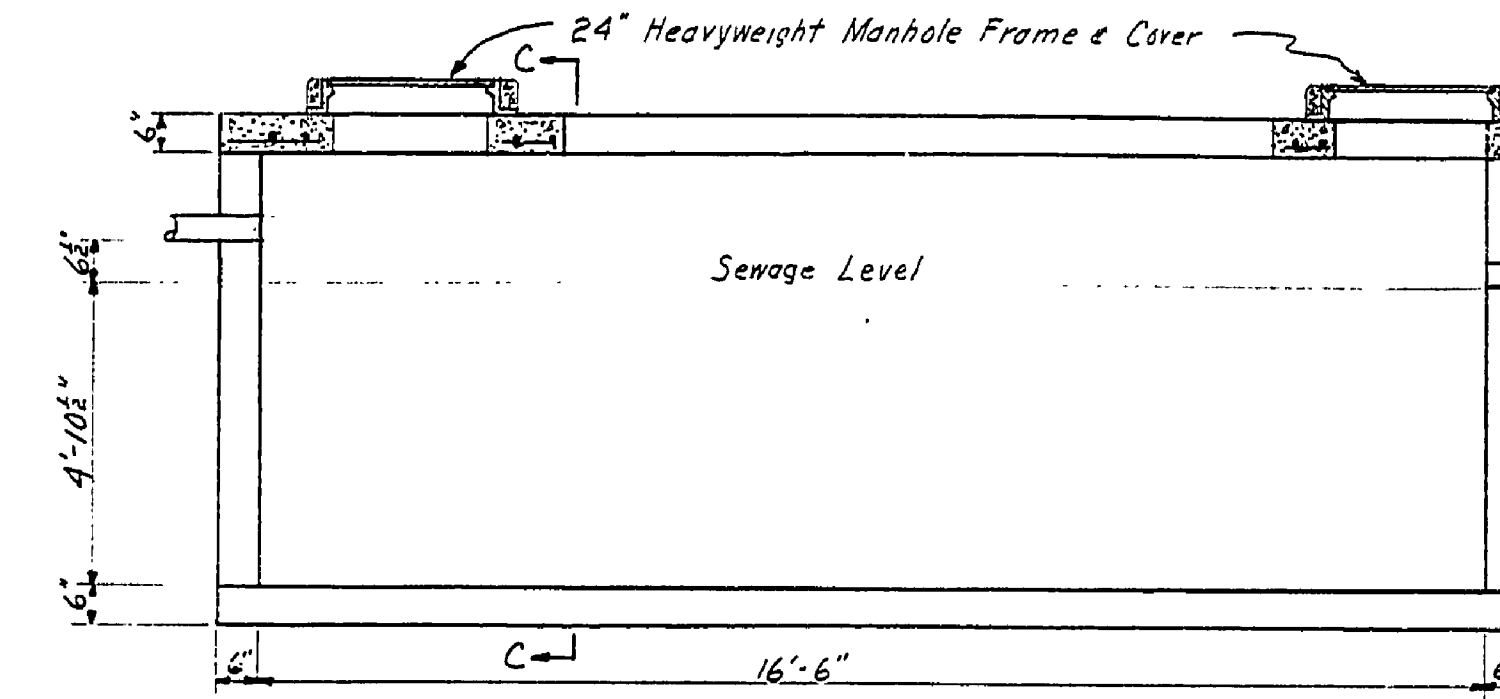
Set Heavyweight Frames Over Openings
 & Pour A Concrete Curb Around Them
 For Details To Set Siphon & Construct
 Floor See Standard Plan No. 119



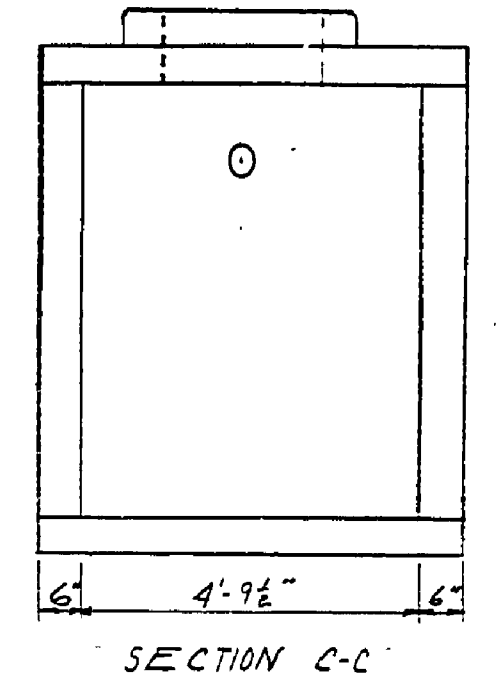
EXISTING DOSING CHAMBER
 Scale 3/8" = 1'-0"



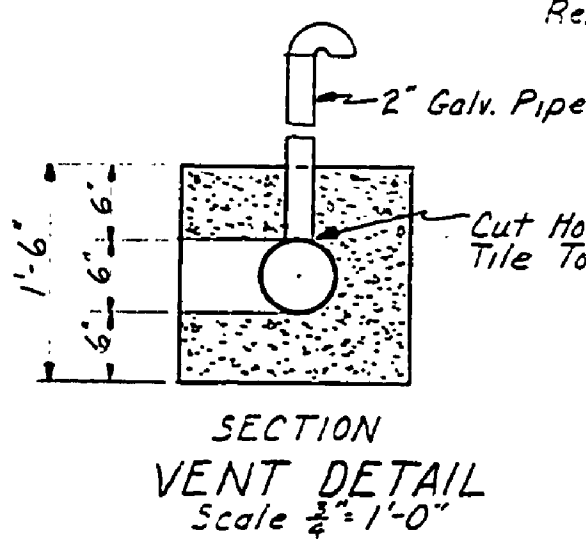
NOTES FOR EXISTING SEPTIC TANK
 Remove Each End Slab Of Cover And Pour
 New Ones With 24" Openings As Shown.
 Reinforce New Slabs As Shown.
 Set Heavyweight Frames Over
 Openings & Pour A Concrete Curb Around Them.
 Pump Out And Clean Septic Tank. Dry All
 Interior Walls And Apply Two Coats Of Asphaltic
 Waterproof Paint To All Interior Surface Except
 Top Slab. If Walls Cannot Be Dried Use An
 Approved Emulsified Asphalt Paint.



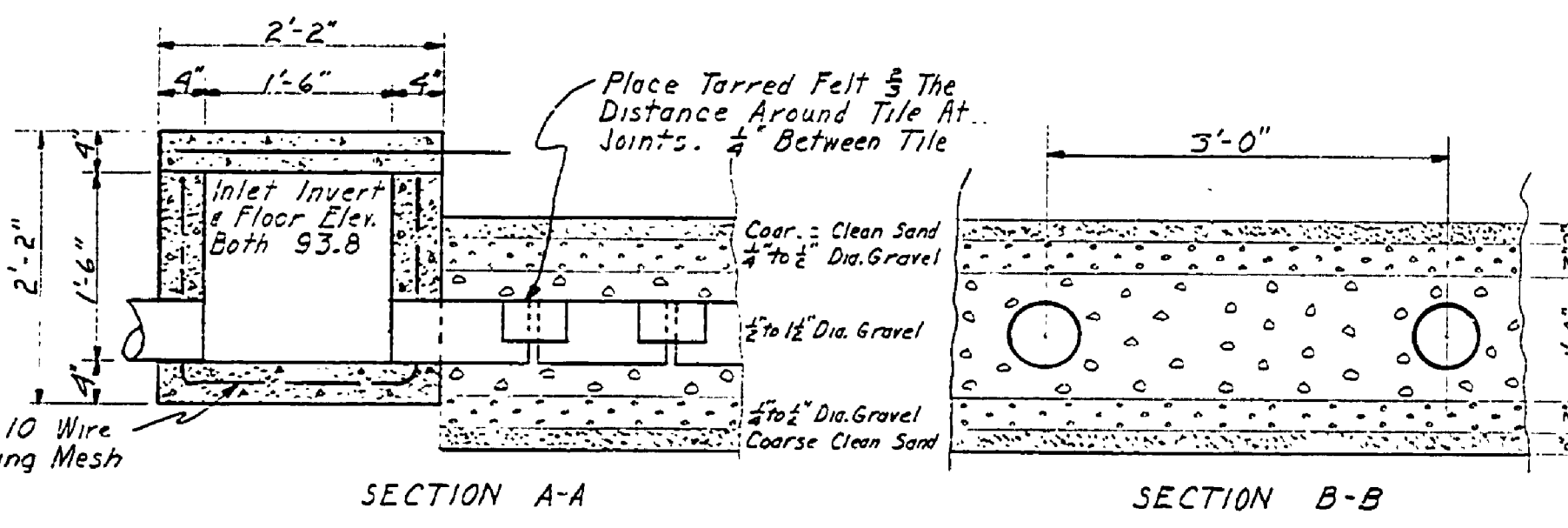
LONGITUDINAL SECTION
 EXISTING SEPTIC TANK
 Scale 3/8" = 1'-0"



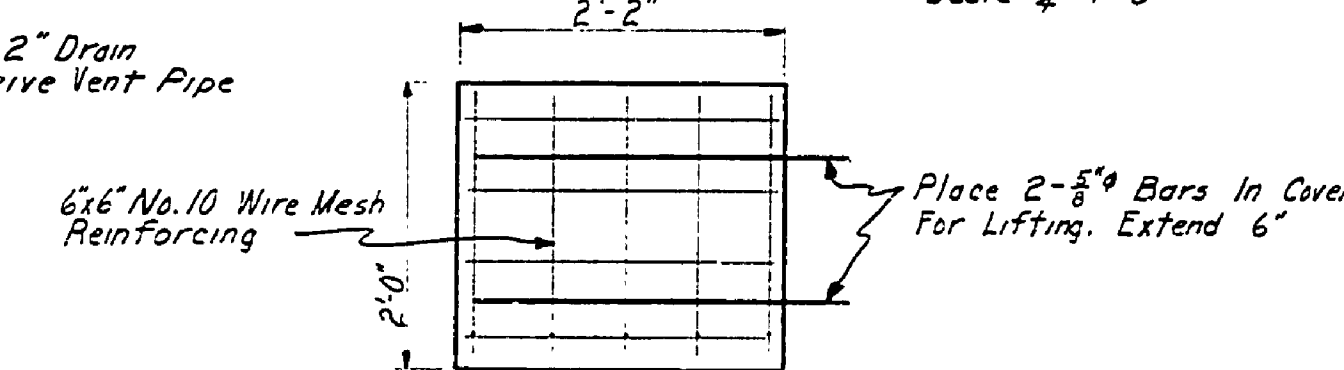
SECTION C-C



SECTION
 VENT DETAIL
 Scale 1/2" = 1'-0"



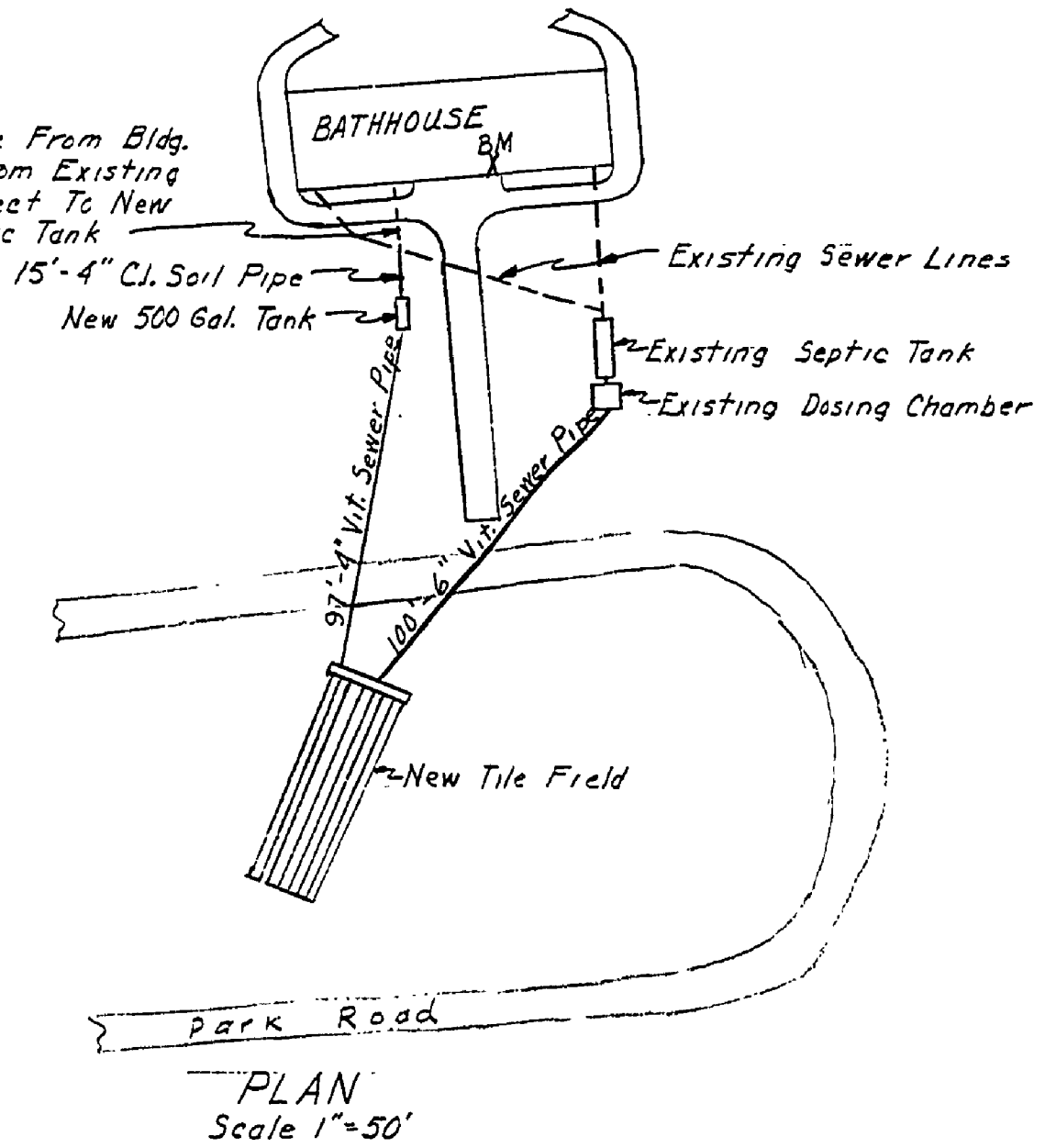
ELEVATION OF DISPOSAL FIELD
 Scale 3/4" = 1'-0"



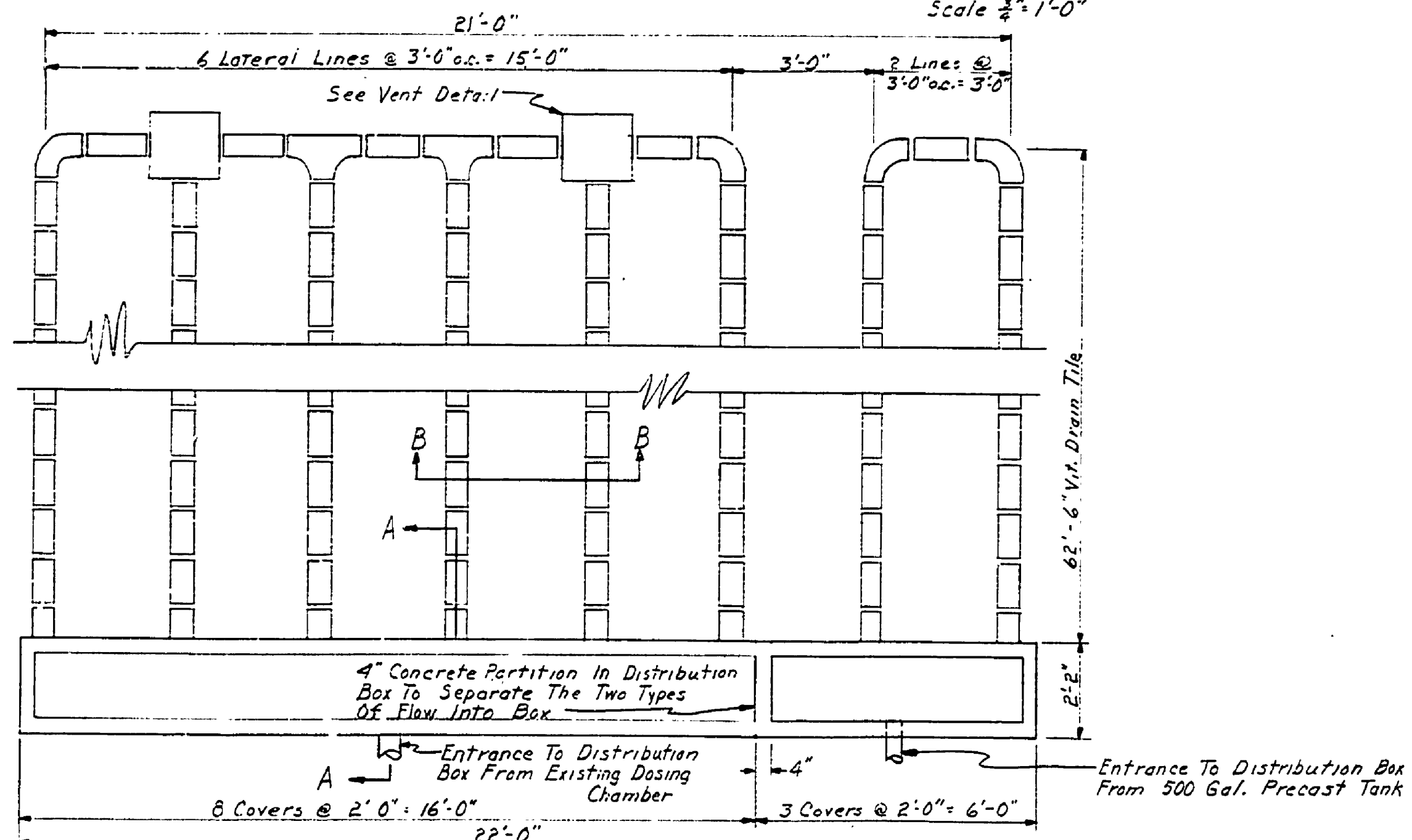
DISTRIBUTION BOX COVER
 Scale 3/4" = 1'-0"

Relay This Line From Bldg.
 Disconnect From Existing
 Sewer & Connect To New
 Precast Septic Tank

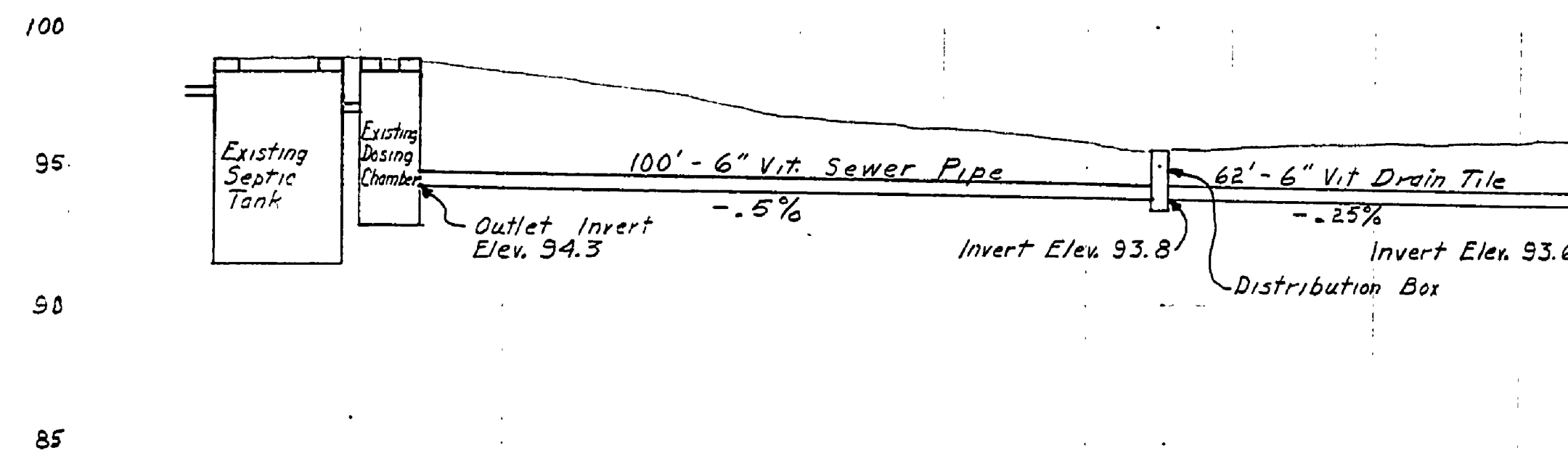
BM - 2 Floor In Doorway
 Of South Entrance Of
 Ladies Room
 Assumed Elev. 100.00



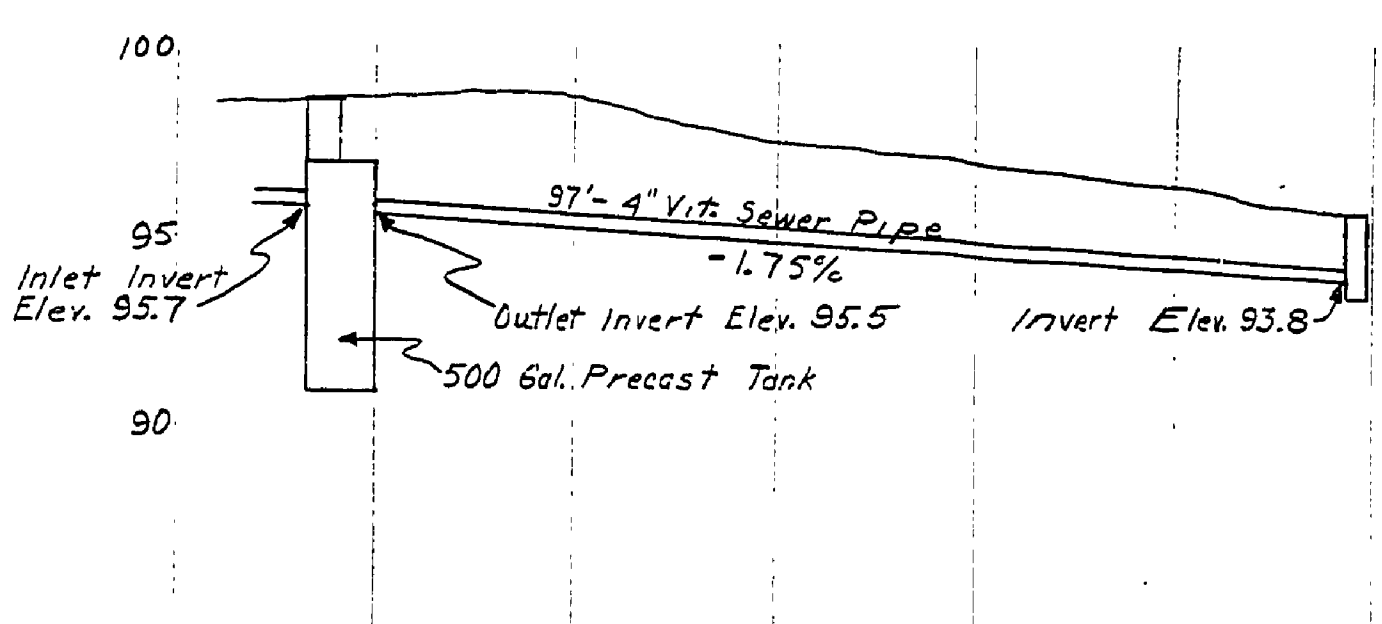
PLAN
 Scale 1" = 50'



NEW DISPOSAL FIELD FOR EXISTING SEPTIC TANK AND PRECAST TANK
 Scale 3/8" = 1'-0"



PROFILE OF SEWER LINE FOR EXISTING SEPTIC TANK
 Scale: Hor. 1" = 20' Ver. 1" = 5'



PROFILE OF SEWER LINE FOR 500 GALLON PRECAST TANK
 Scale: Hor. 1" = 20' Ver. 1" = 5'