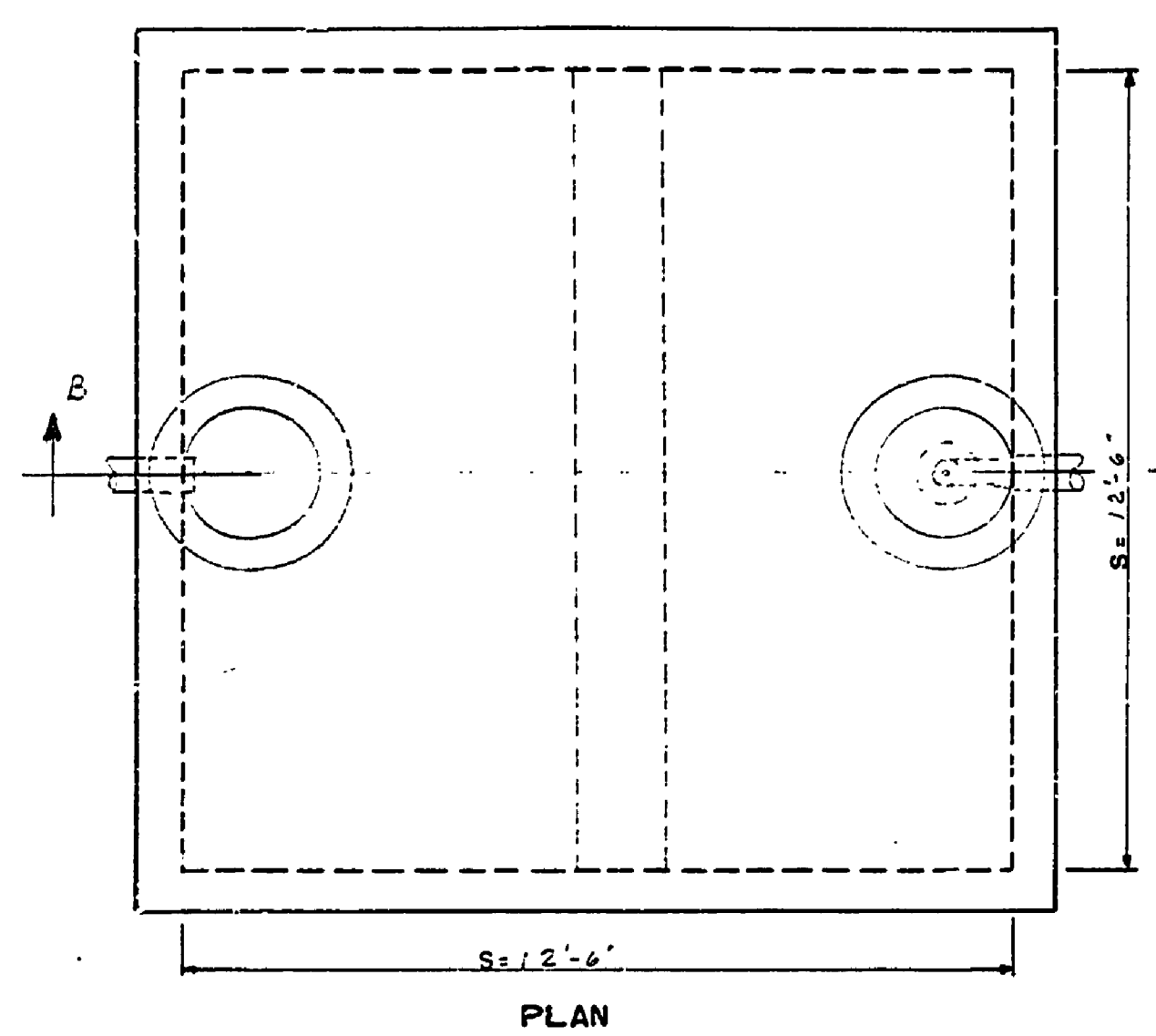
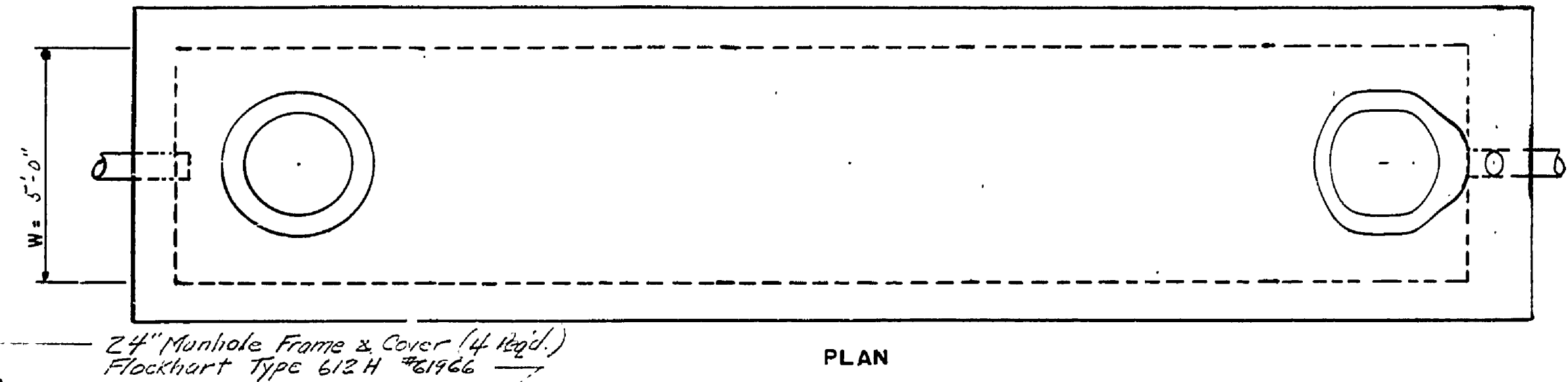
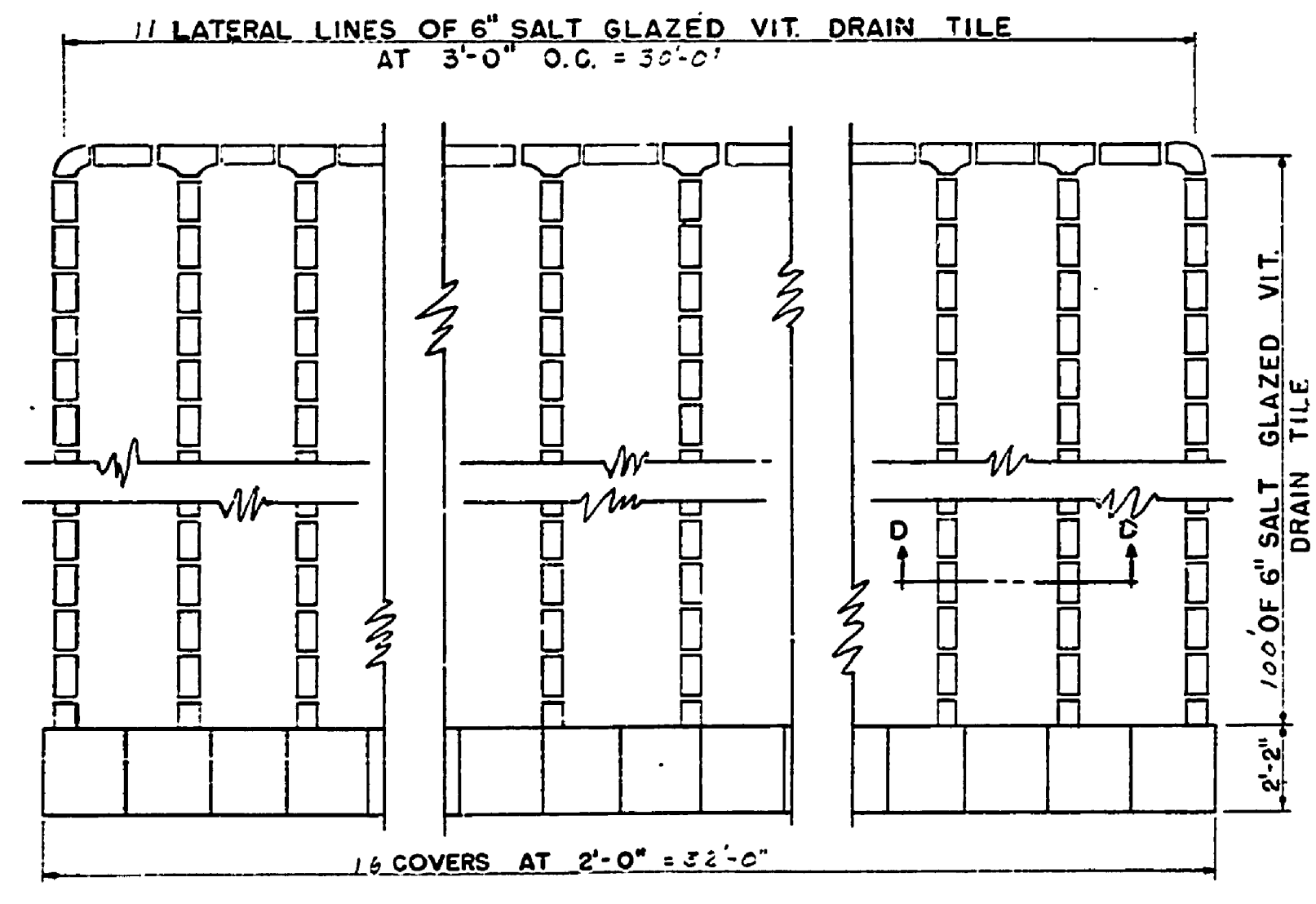
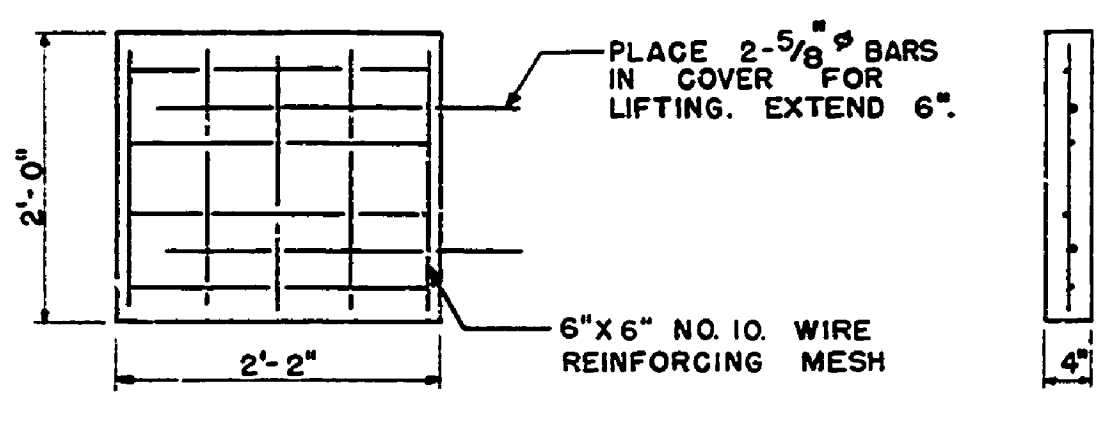
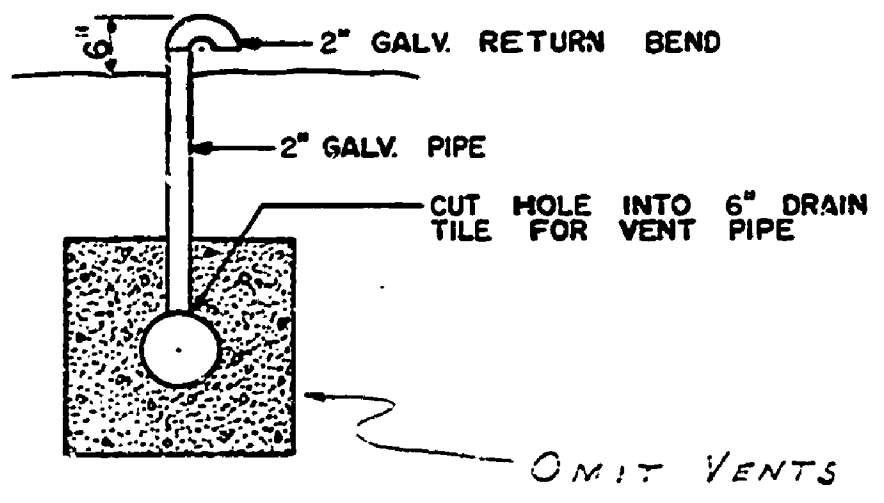
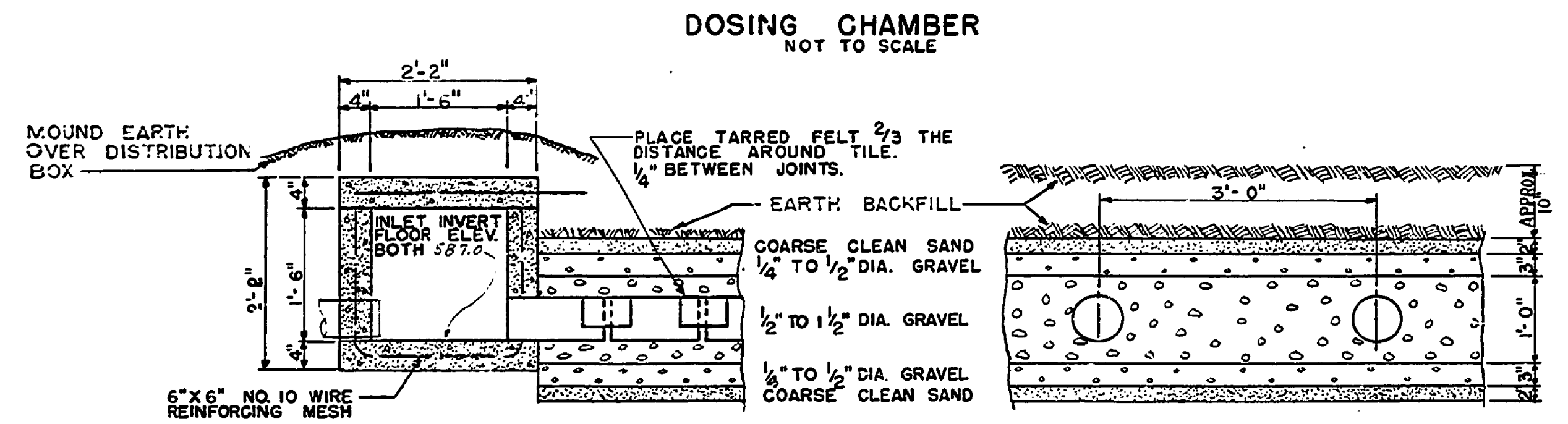
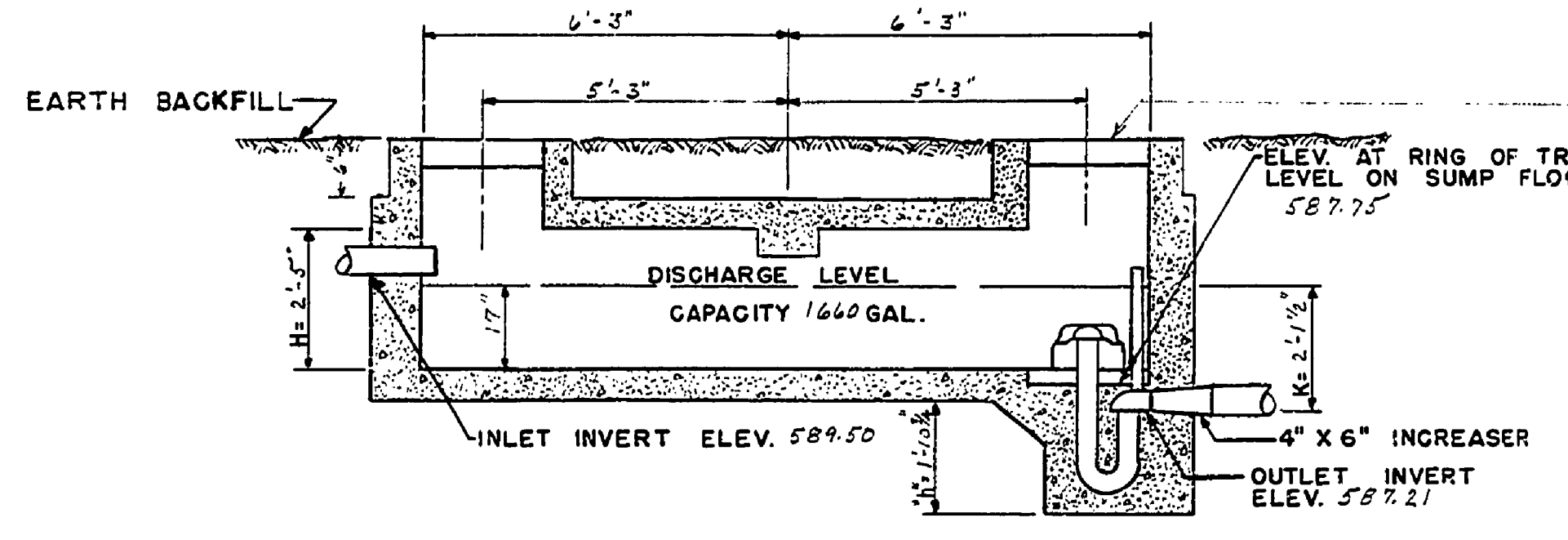


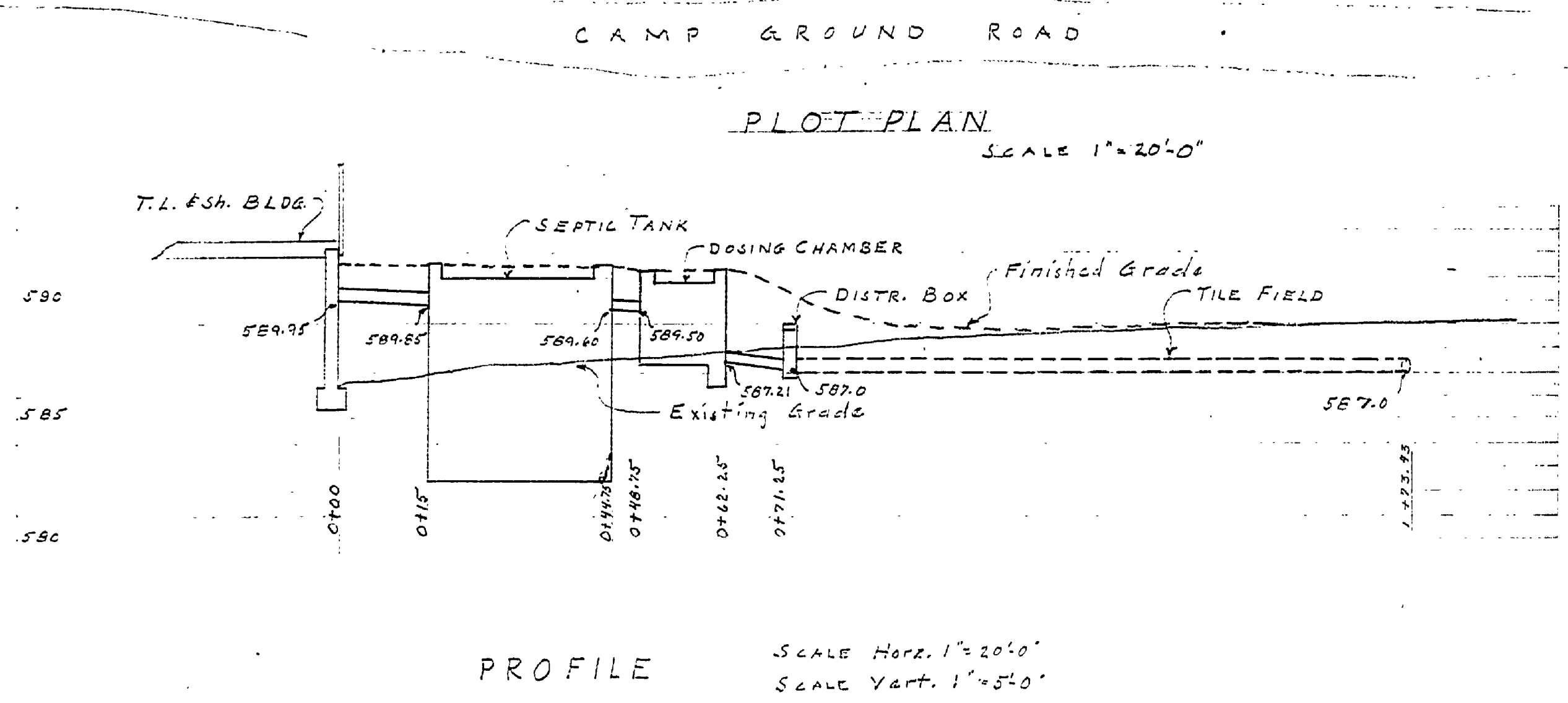
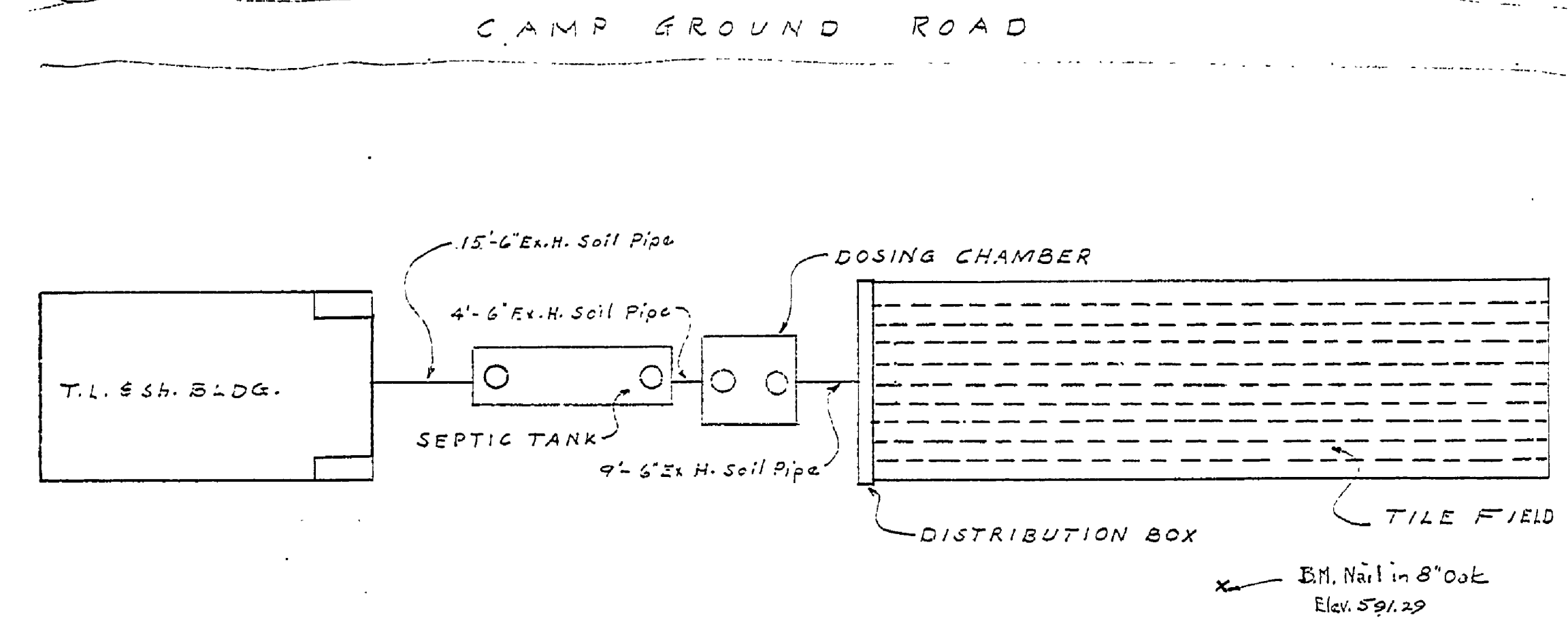
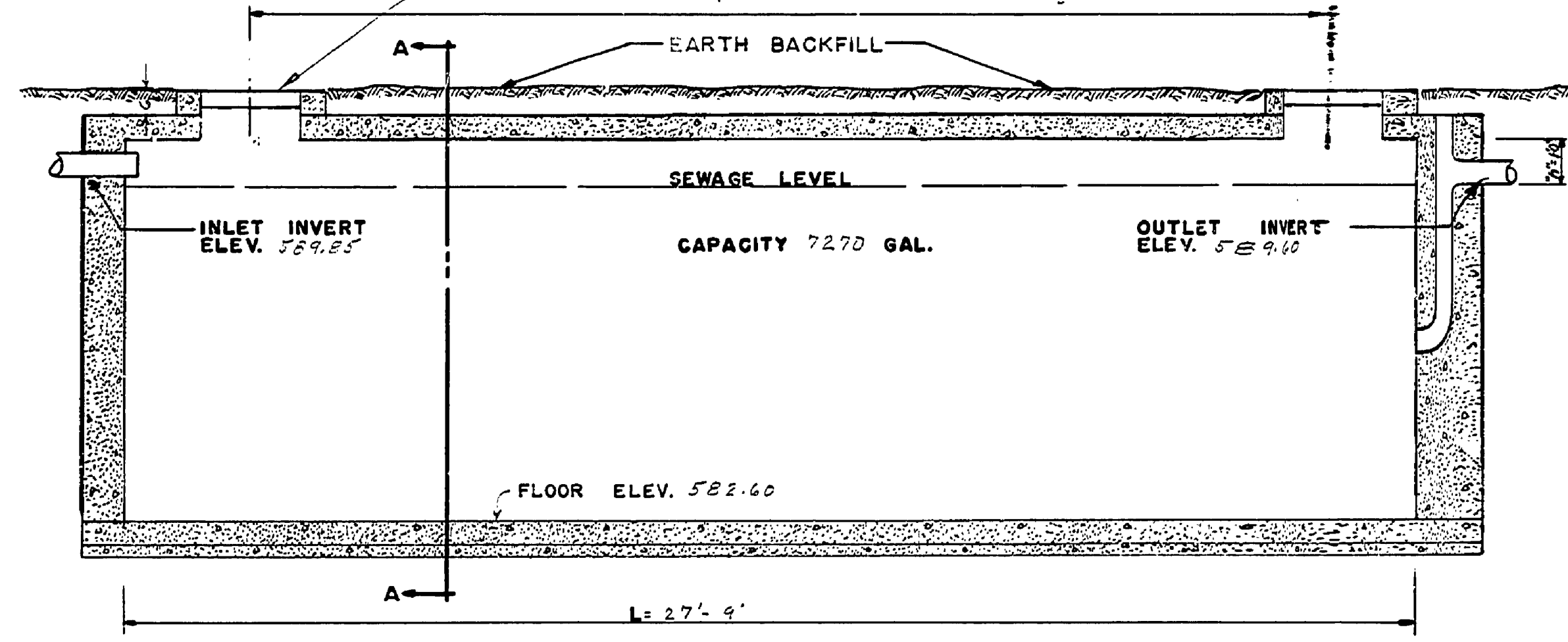
DATE BY					
REVISIONS	4	5	6		
NO.	1	2	3		
DATE BY					
APPROVED BY	[Signature]				
DATE	11-18-54	11-18-54	11-18-54		
REVIEWED BY SECTIONS	J.T.P.	H.C.M.	J.T.P.		
ARCHITECTURAL					
ENGINEERING					
LANDSCAPE					
DRAWN BY	E.J.P.				
TRACED BY	[Signature]				
CHECKED BY	[Signature]				
DATE	11-9-54				



NOTES FOR DOSING CHAMBER  
 SEE PLAN NO. SE-119 FOR STEEL REINFORCING DETAILS AND DETAIL DIMENSIONS OF DOSING CHAMBER WITH BEAM.  
 USE 4" SIPHON WITH 1" DRAWDOWN.  
 USE 1/2" x 2", 1/2" x 2", 1/2" x 2", 1/2" x 2"



NOTES FOR SEPTIC TANK  
 SEE PLAN NO. SE-121 FOR STEEL REINFORCING DETAILS AND DETAIL DIMENSIONS.  
 USE 1/2" x 2", 1/2" x 2", 1/2" x 2"



MICHIGAN DEPARTMENT OF CONSERVATION  
 PARKS AND RECREATION DIVISION

SLEEPER STATE PARK  
 30. CAMP G RD. T.L. SH. BLDG.  
 SEWAGE DISPOSAL SYSTEM  
 SCALE AS SHOWN

SHEET NO. 2 OF 4  
 PLAN NO. E-112

SE-138  
 STANDARD DISPOSAL SYSTEM