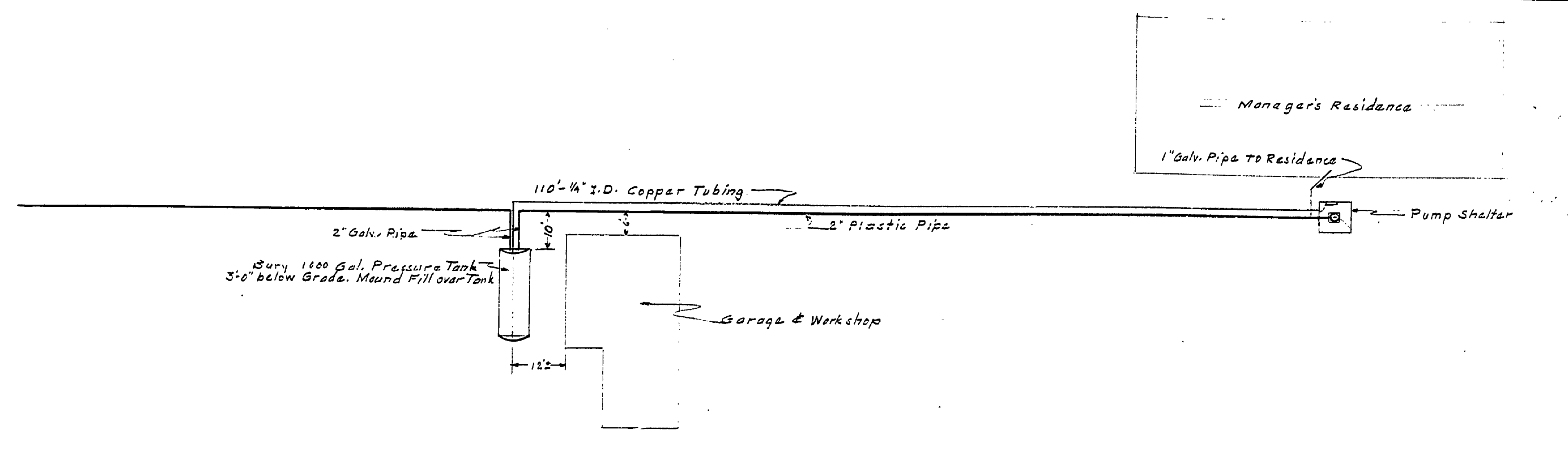
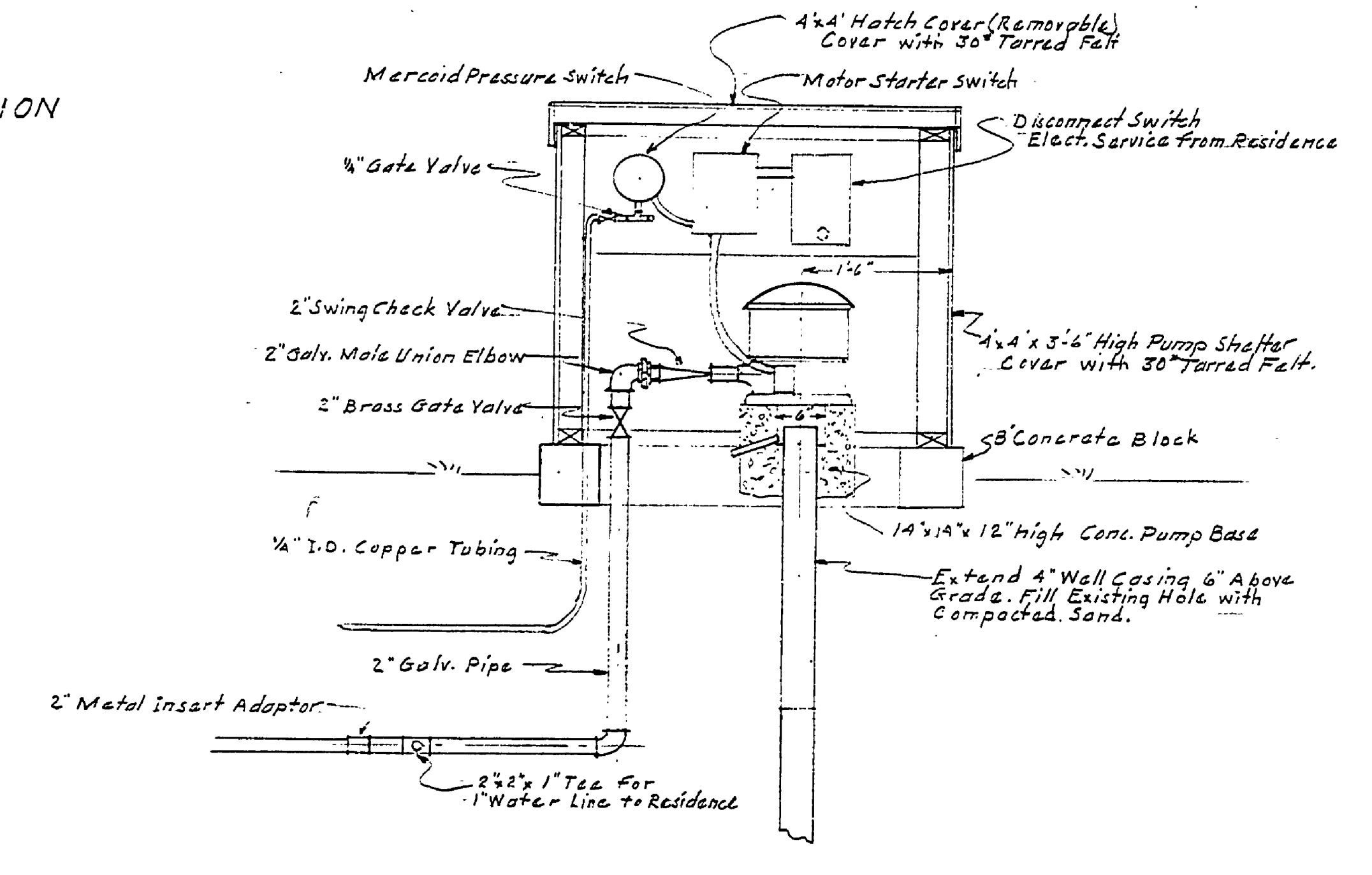


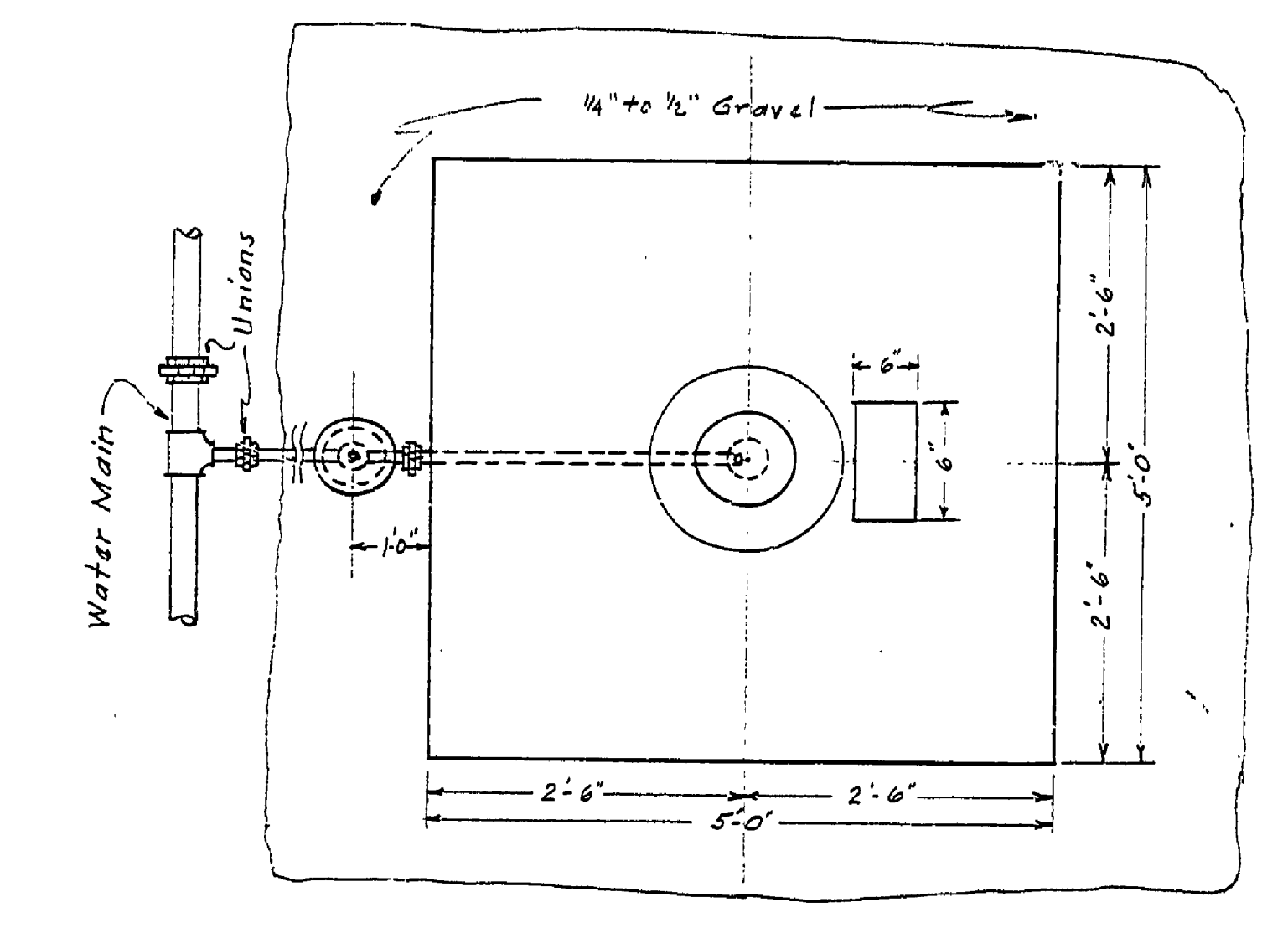
DRAWN BY E. J. P.	REVIEWED BY SECTIONS			DATE 2-8-53	APPROVED <i>[Signature]</i>	NO. DATE	BY	REVISIONS	DATE
	ARCHITECTURAL J.T.R.	ENGINEERING A.C.M.	LANDSCAPE J.T.R.						
TRACED BY	ASSEMBLY CHIEF IN CHARGE			DATE		1		4	
CHECKED BY	OF DESIGN					2		5	
DATE 1-31-53						3		6	



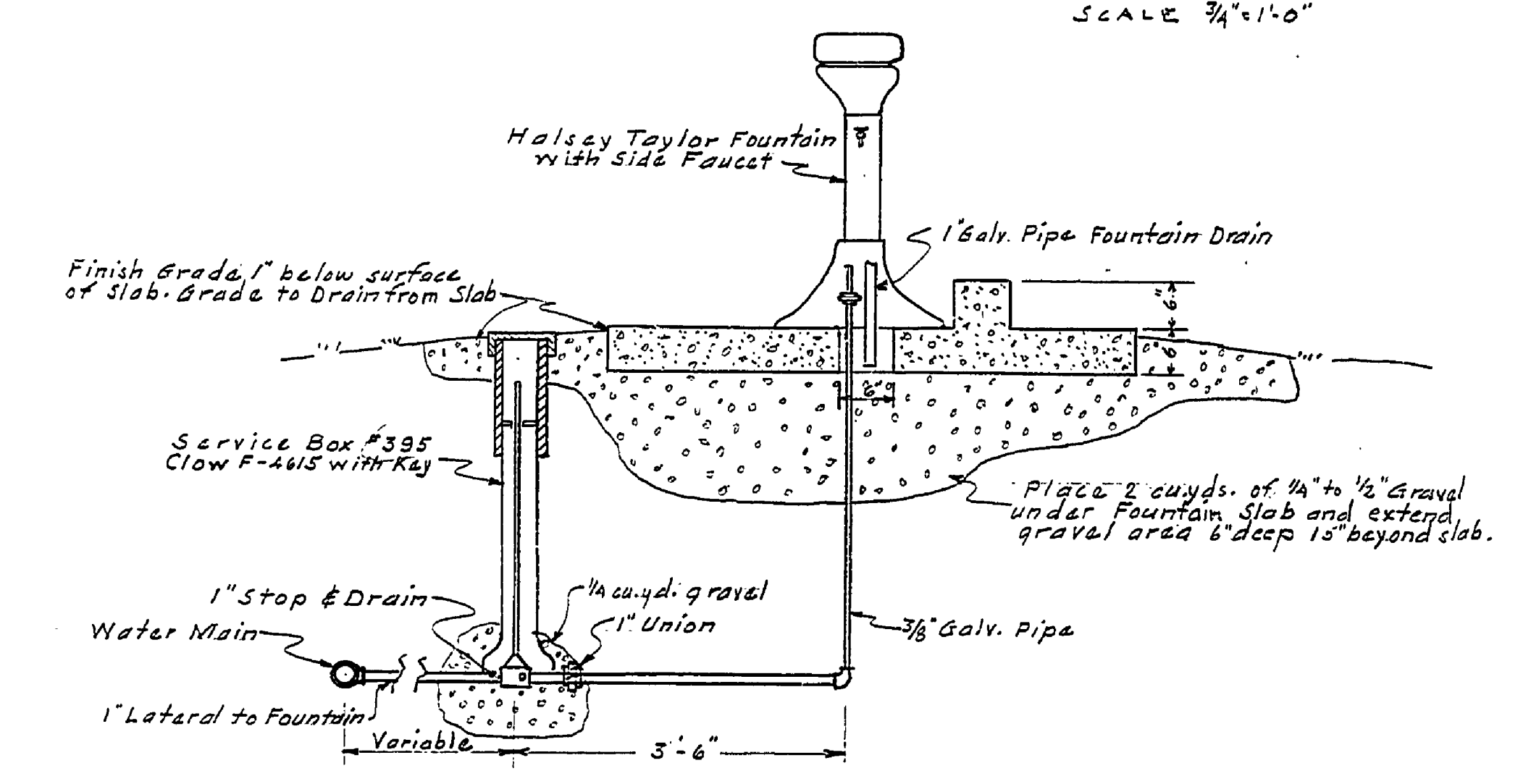
DETAIL OF TANK & PUMP LOCATION  
SCALE 1"=20'



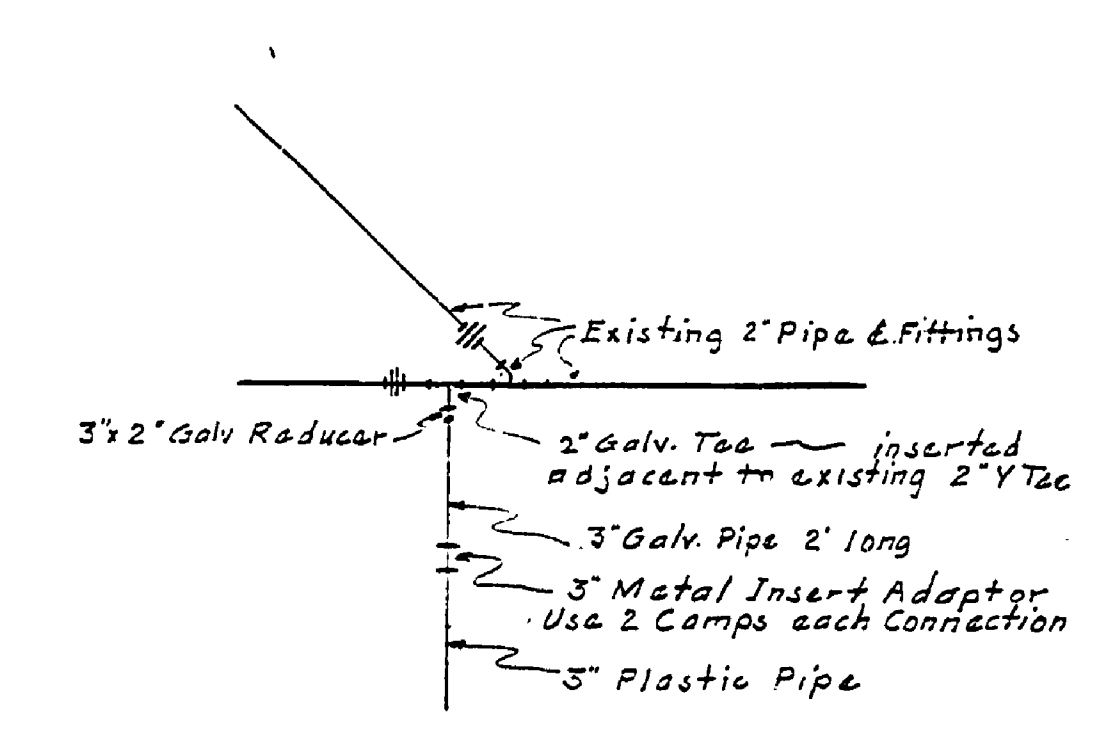
PUMP SHELTER & PIPING  
SCALE 3/4"=1'-0"



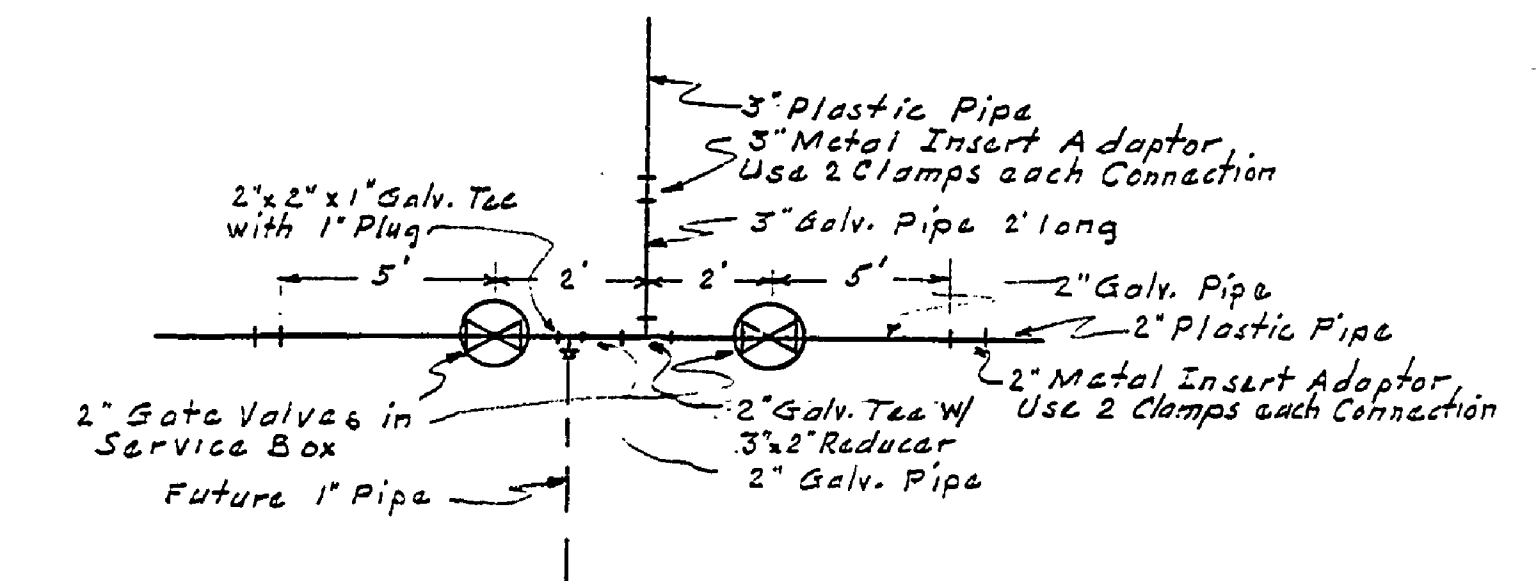
PLAN OF DRINKING FOUNTAIN  
SCALE 3/4"=1'-0"



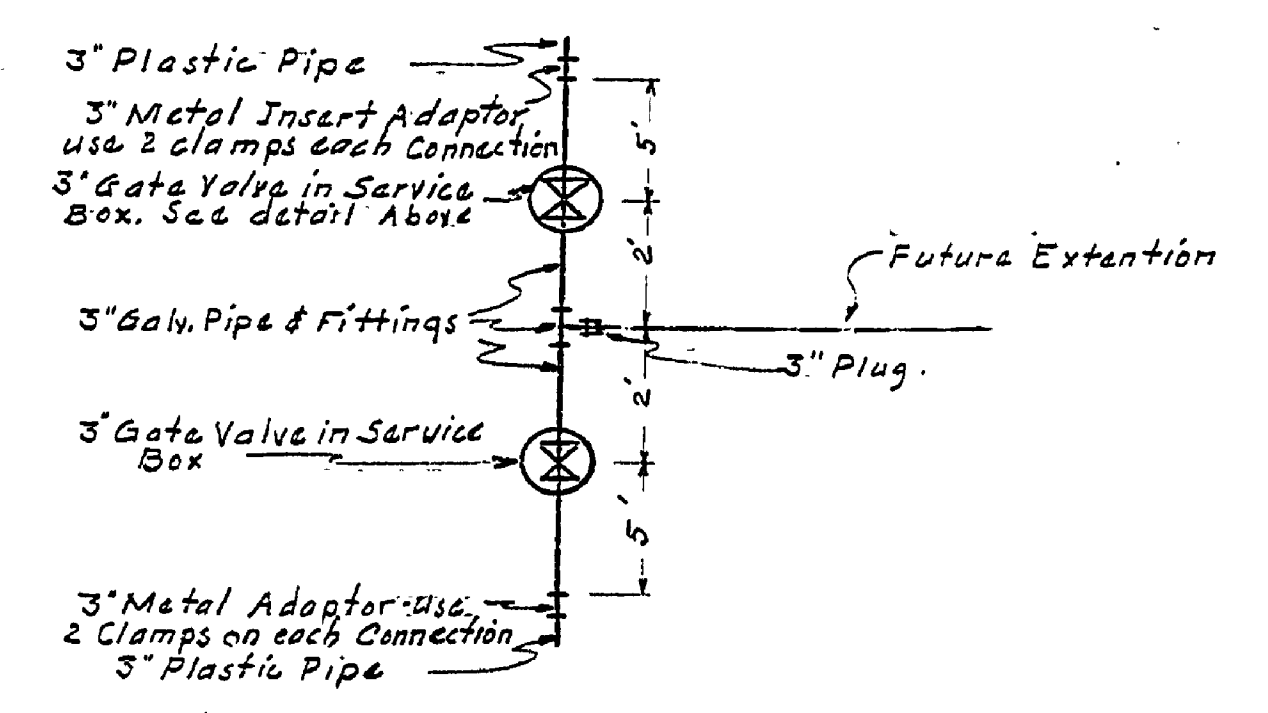
SECTION OF DRINKING FOUNTAIN  
SCALE 3/4"=1'-0"



DETAIL "C"  
NO SCALE



DETAIL "B"  
NO SCALE



DETAIL "A"  
NO SCALE