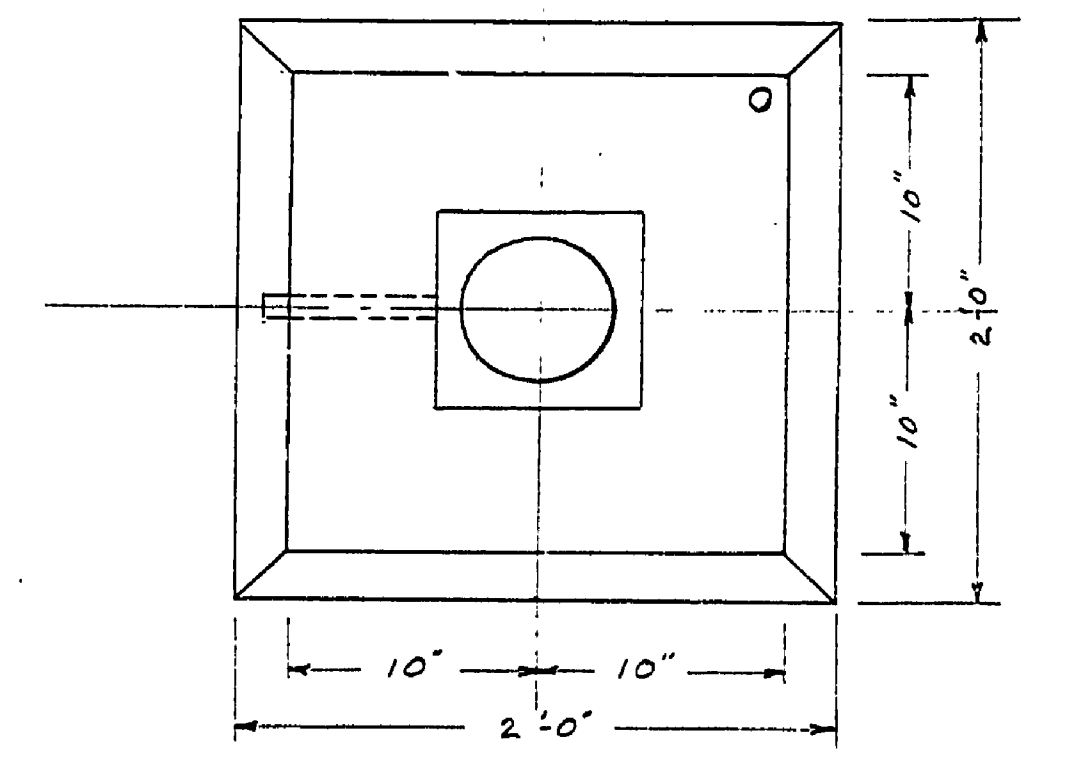
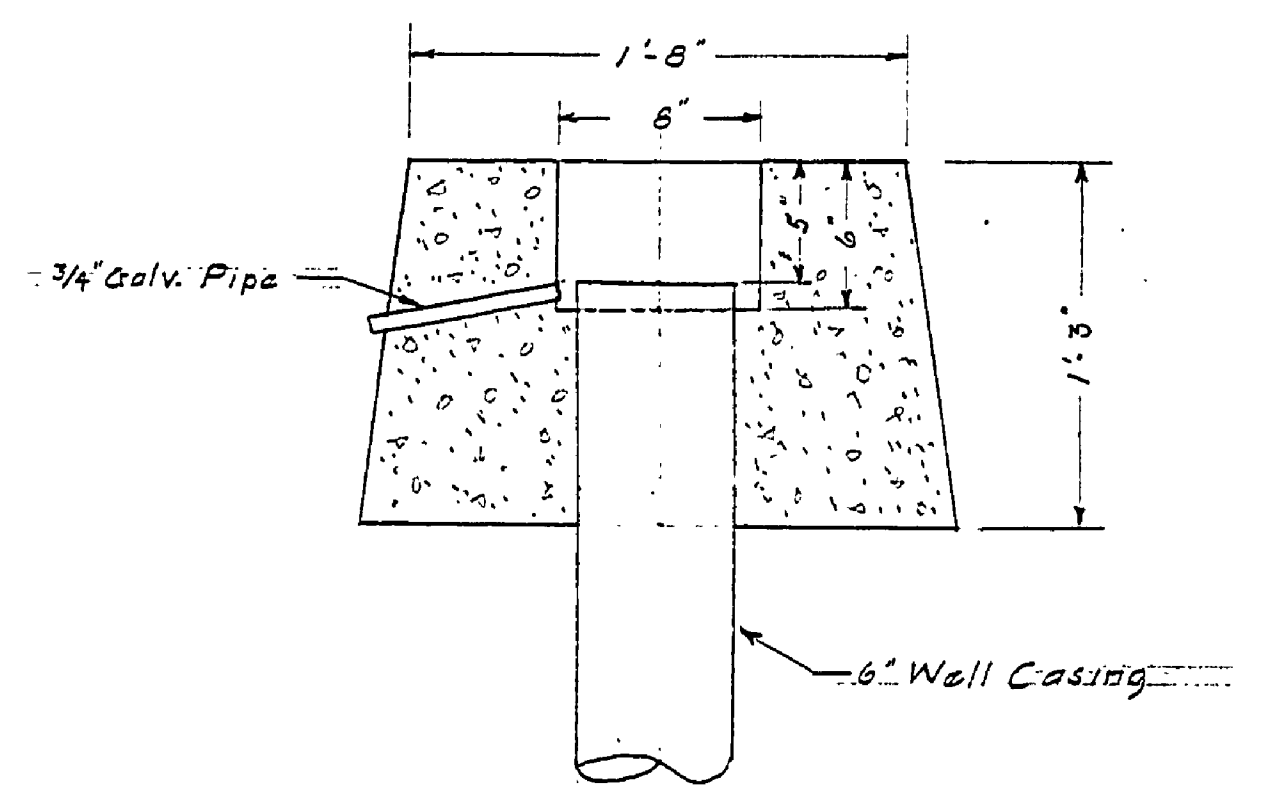
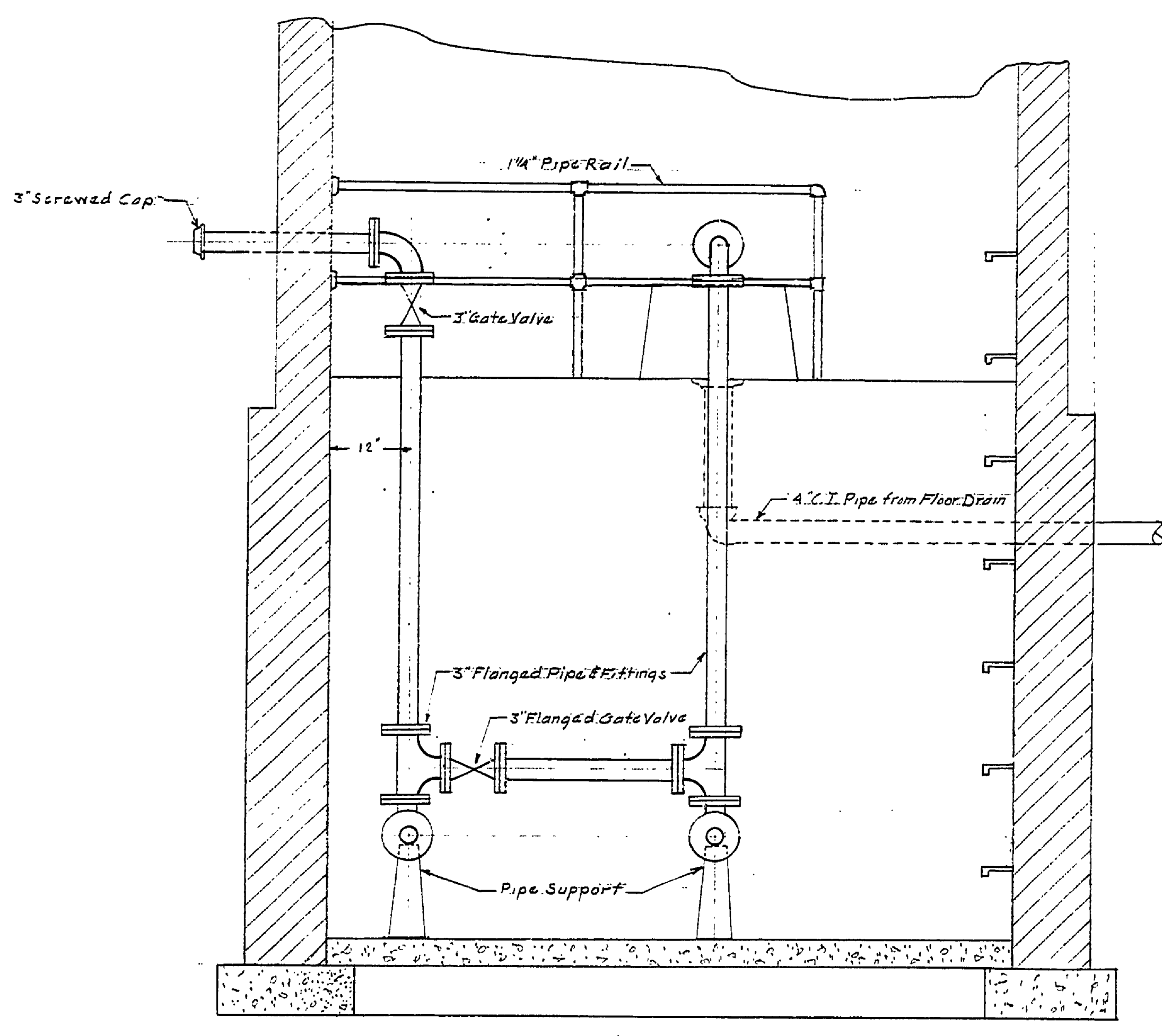
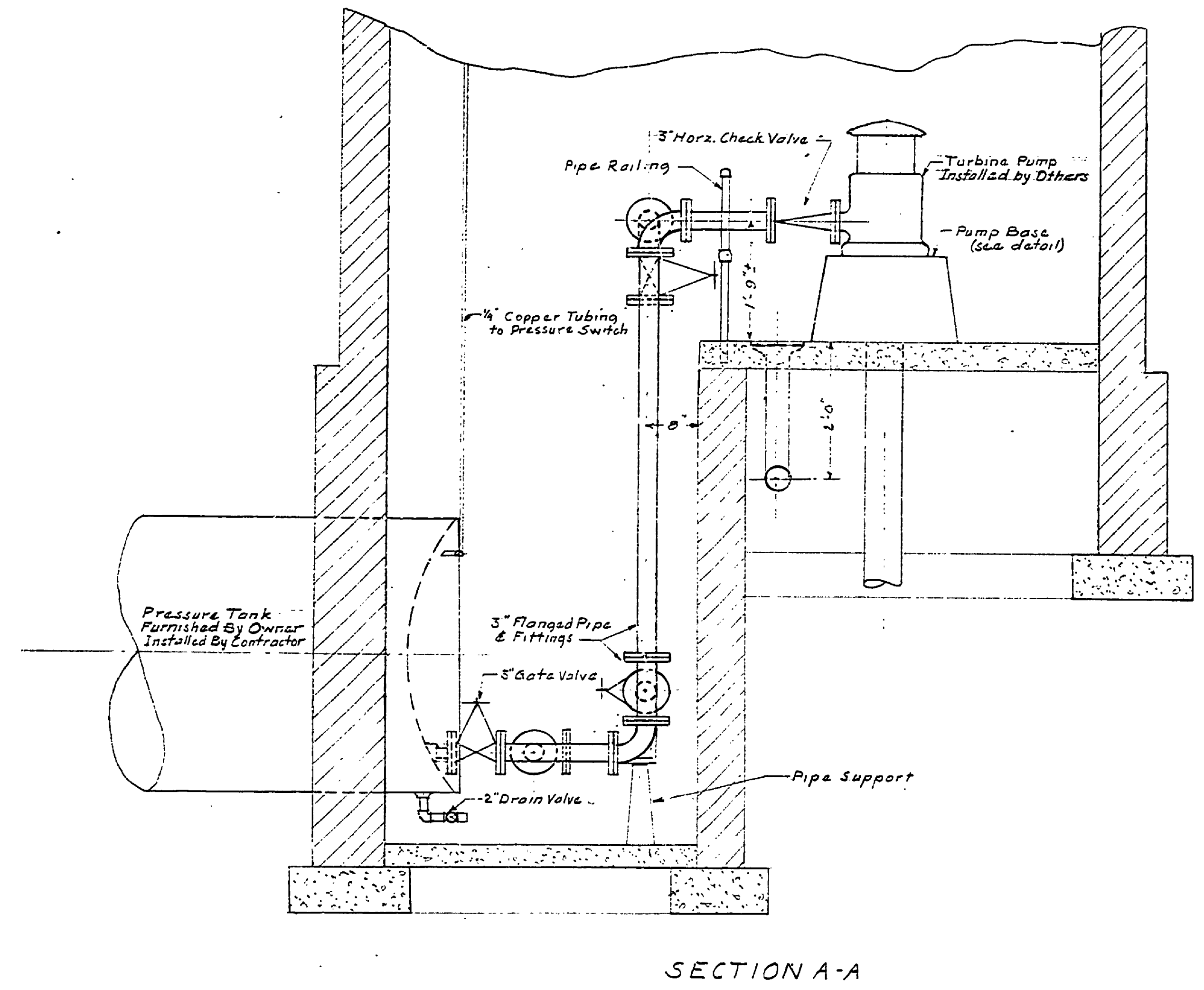
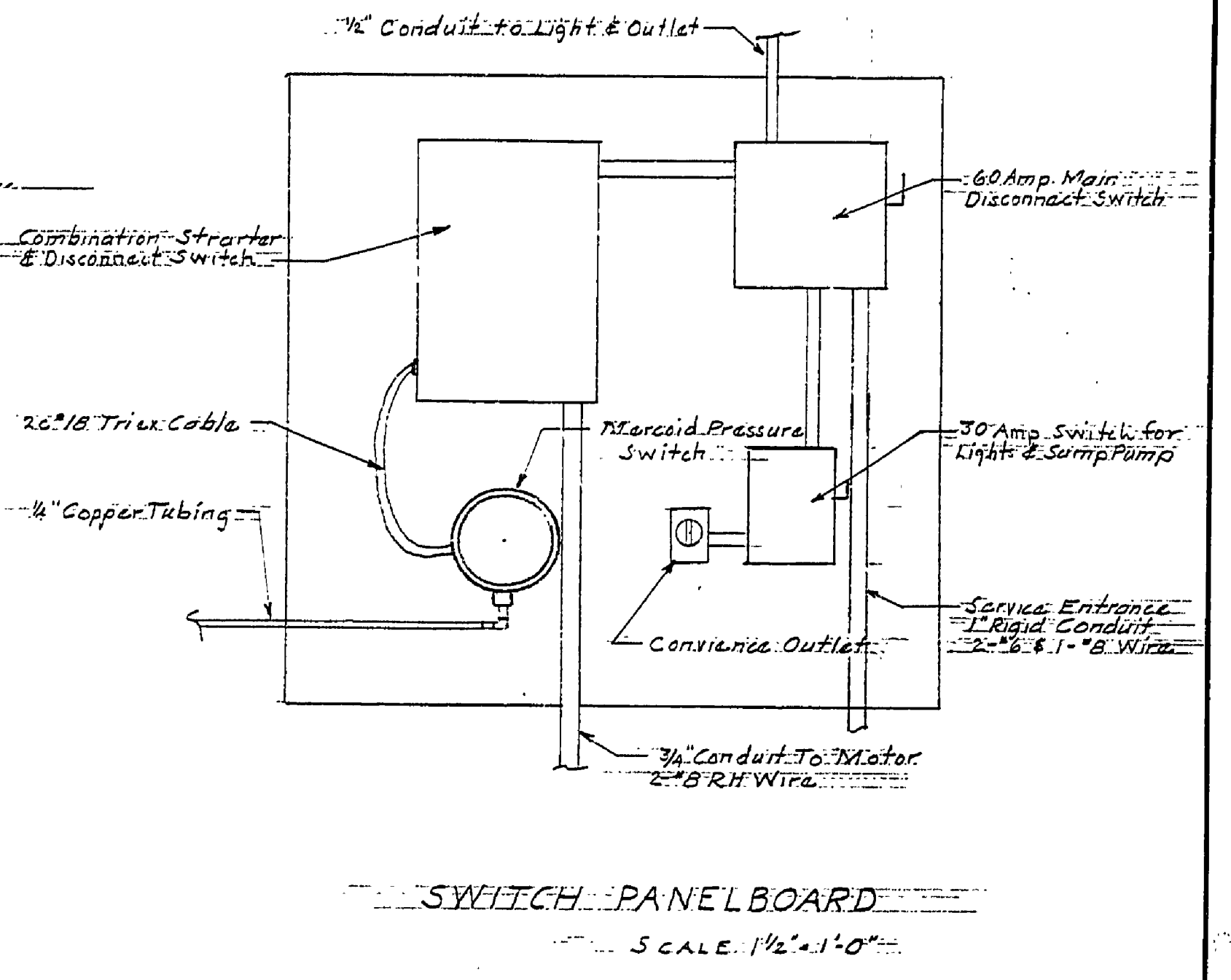
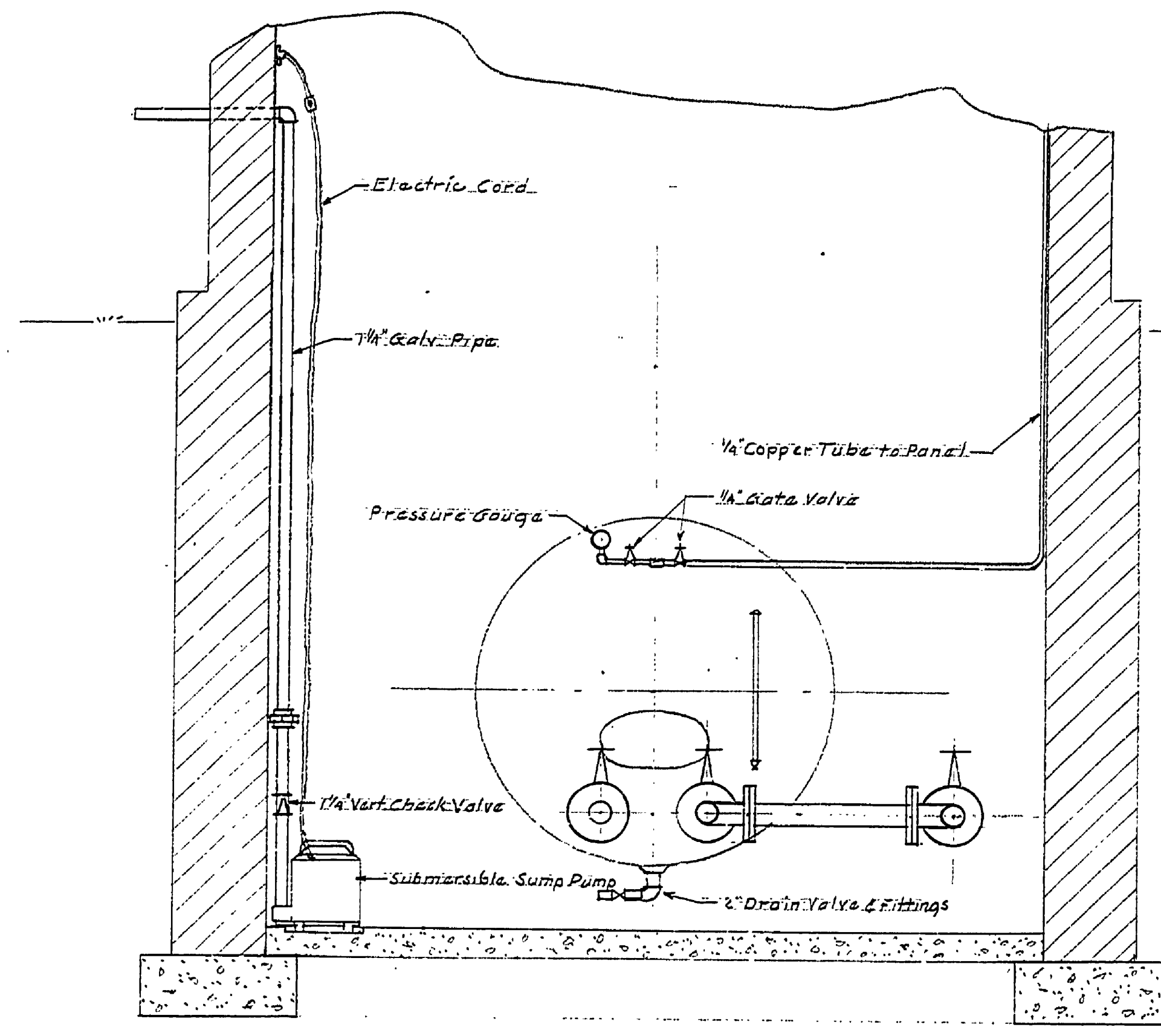
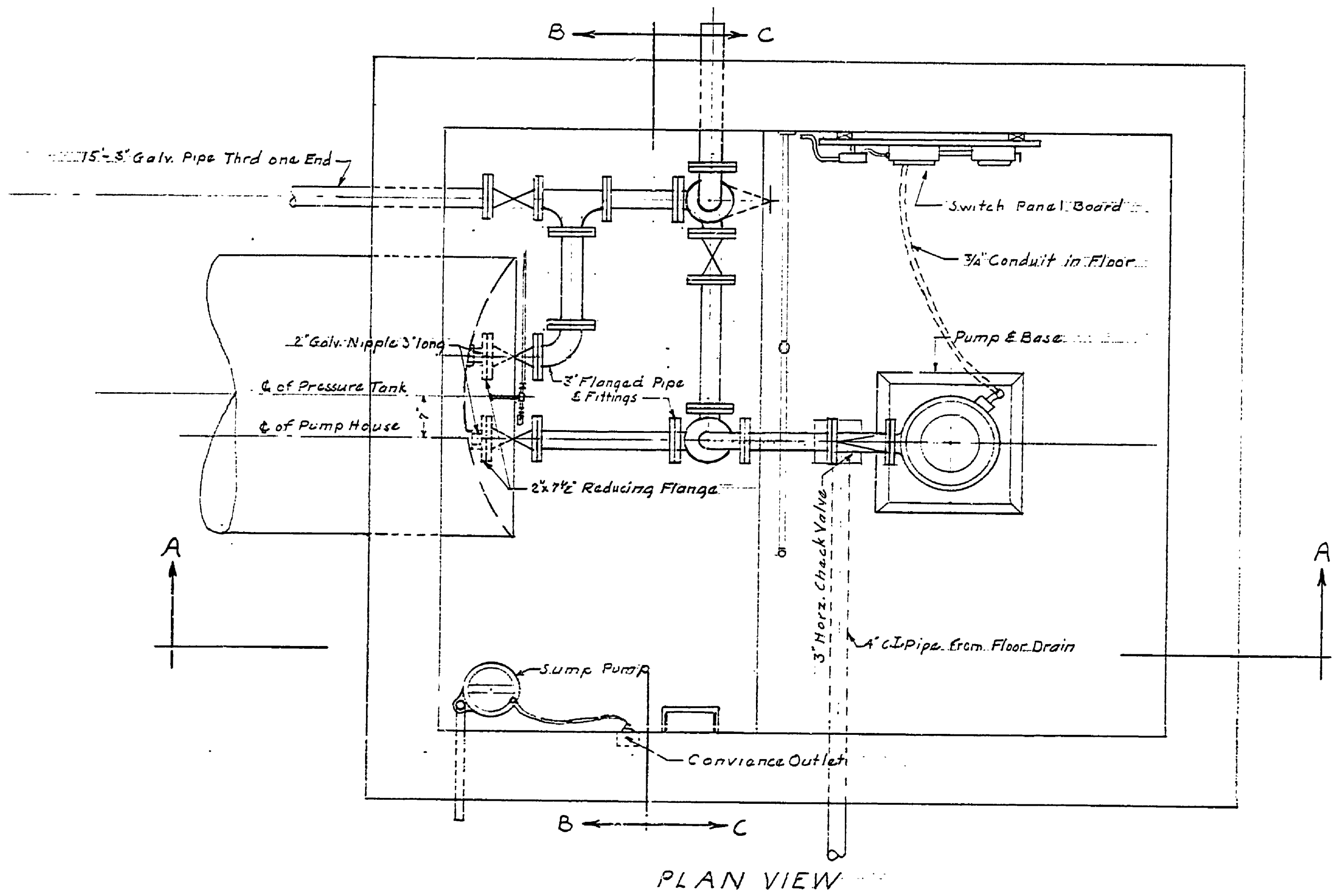


DRAWN BY E. J. P.	CHECKED BY 1-10-55	REVIEWED BY SECTIONS	DATE	APPROVED BY	NO.	DATE	BY
		ARCHITECTURAL	J.R. 1-23-55	<i>[Signature]</i>	1	2-2-55	J.P.
		ENGINEERING	H.C.M. 2-3-55	ASSISTANT CHIEF IN CHARGE	2		
		LANDSCAPE	J.R. 1-23-55	OF DESIGN	3		
REVISIONS					4		
					5		
					6		
					7		



PUMP HOUSE MECHANICAL  
SCALE 3/4" = 1'-0"

MICHIGAN  
DEPARTMENT OF CONSERVATION  
PARKS AND RECREATION DIVISION

SLEEPER STATE PARK  
S.O.C. GRD. WATER PUMP HOUSE  
SCALE AS SHOWN

SHEET NO. 3 OF 3  
PLAN NO. E-115