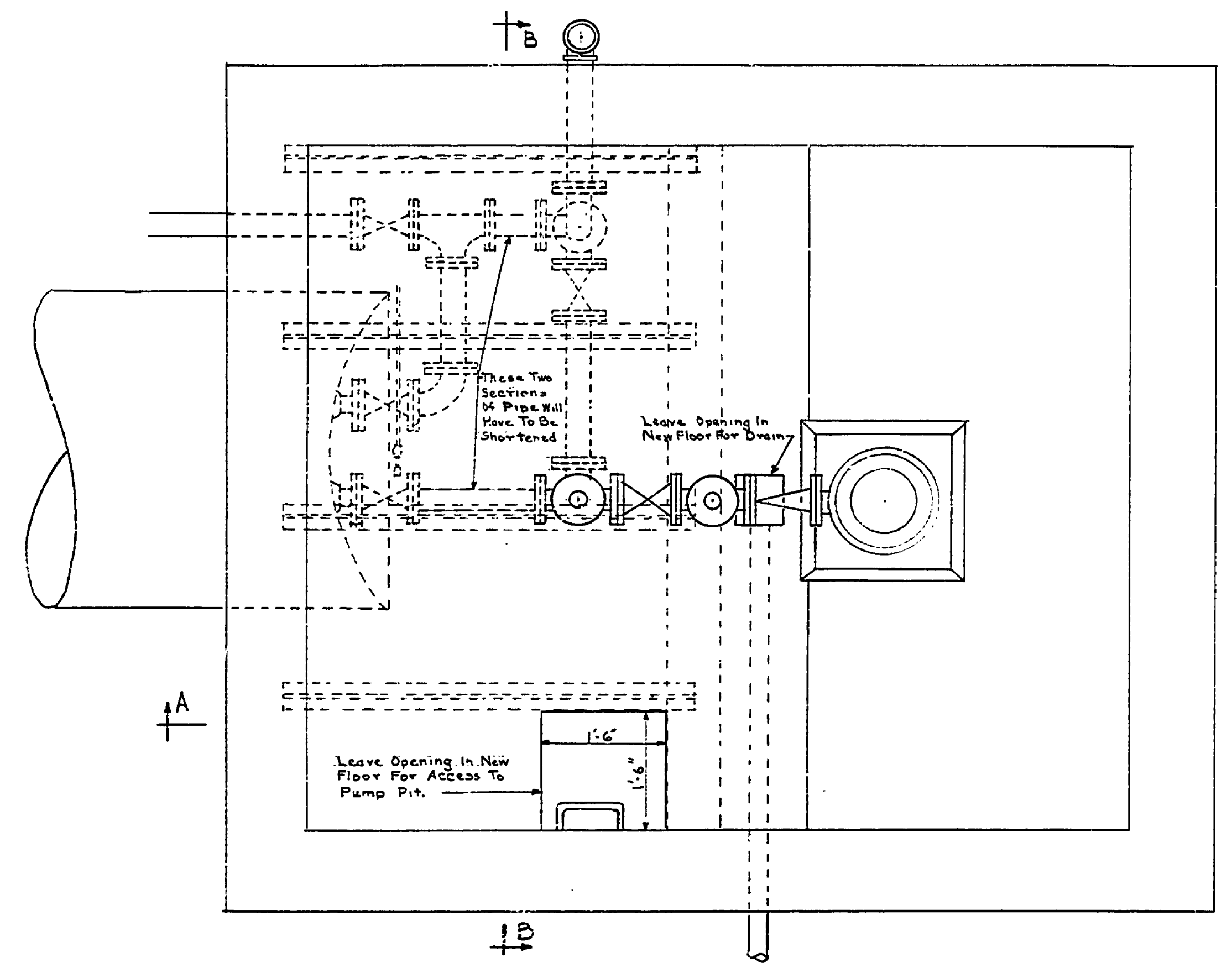
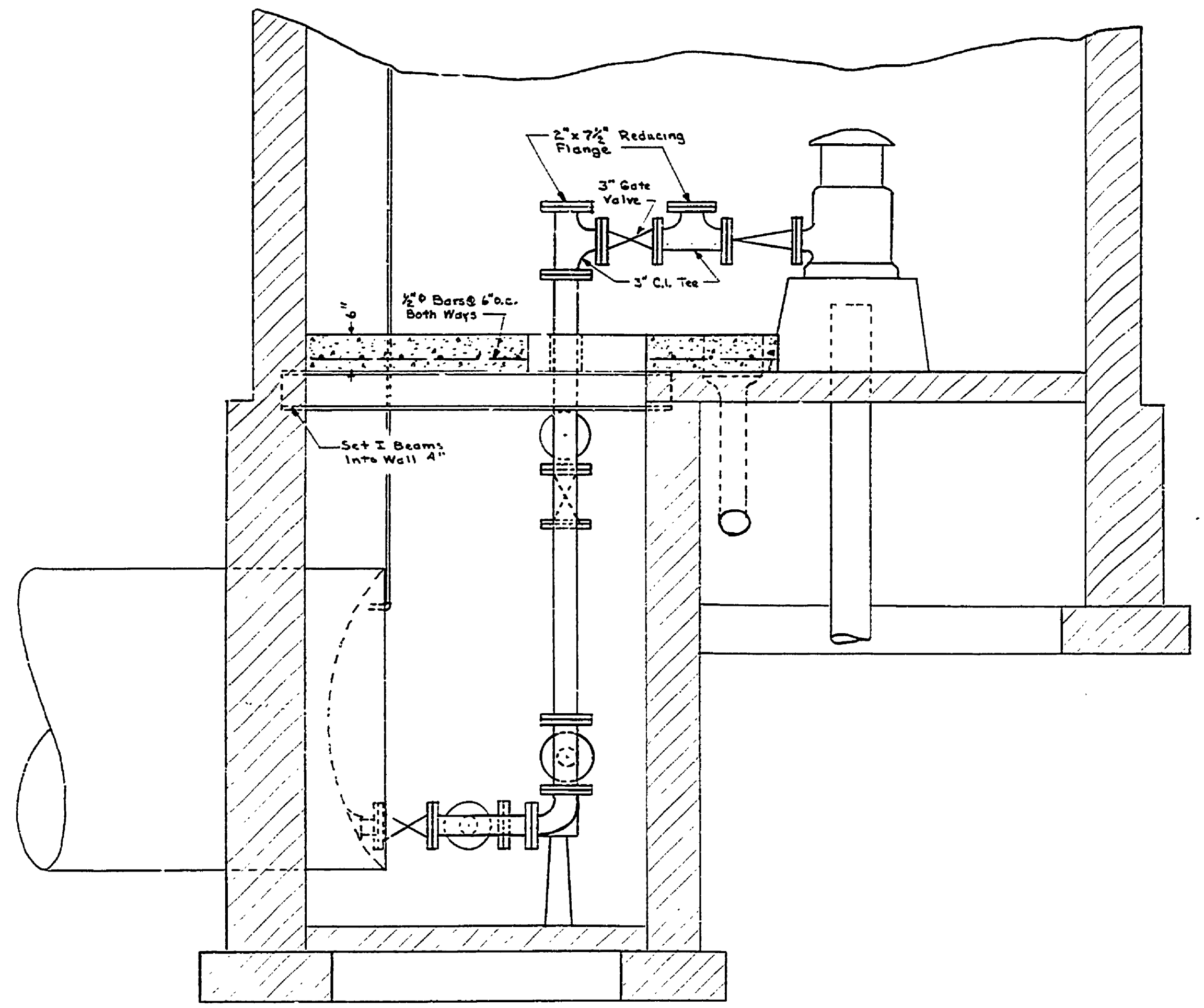


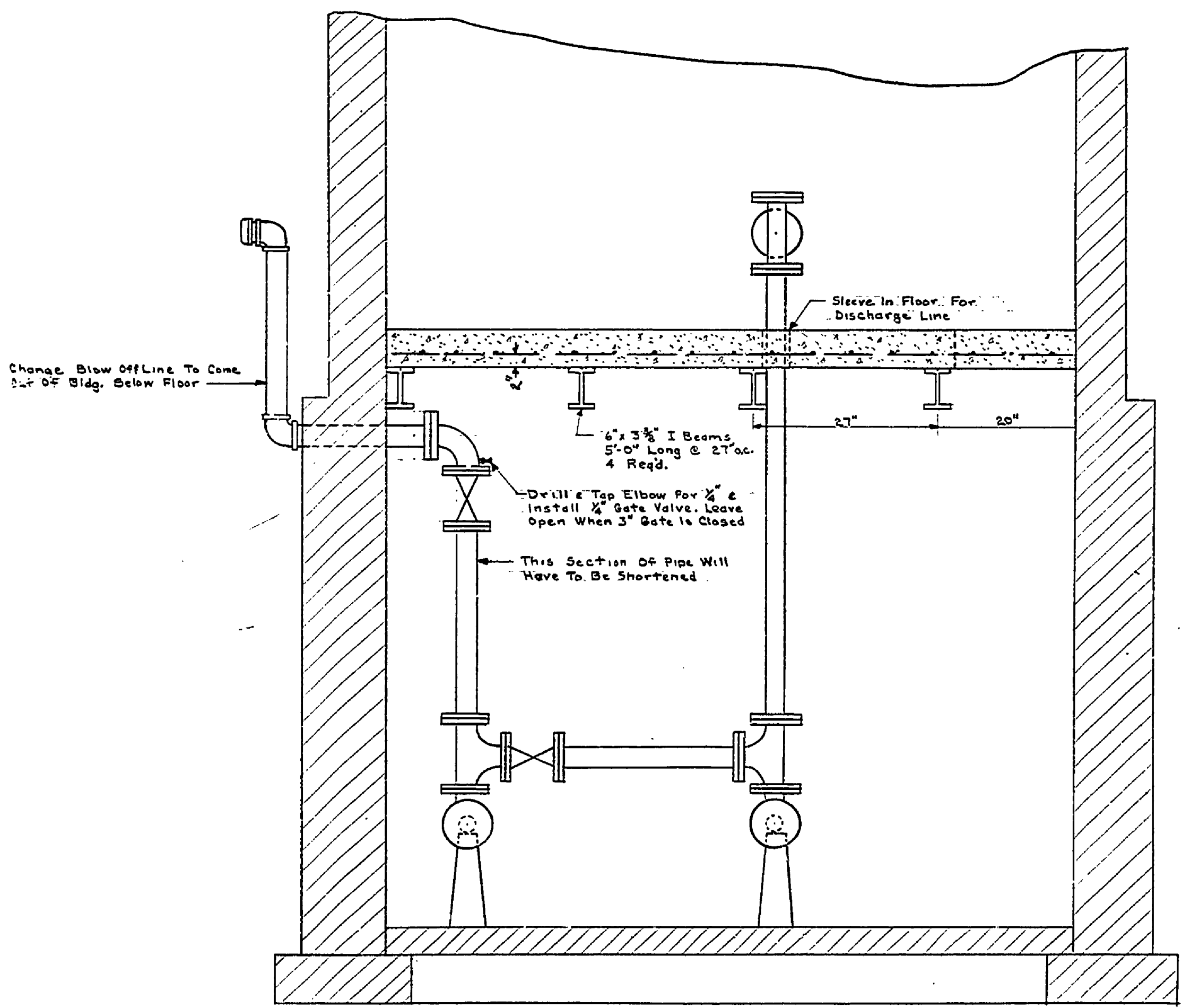
DESIGNED BY	DATE	REVIEWED	DATE	APPROVED	NO.	DATE	BY	REVISIONS	DATE	BY
B.H.G.	10.16.61	ARCHITECTURAL	1-23-61	<i>[Signature]</i>	1	10/16/61		4		
R.H.A.	10.16.61	ENGINEERING	1-23-61	<i>[Signature]</i>	2	10/16/61		5		
E.J.P.	10.16.61	LANDSCAPE	1-23-61	<i>[Signature]</i>	3	1-23-61		6		



PLAN



SECTION A-A



SECTION B-B

- Notes:
1. Remove Two Sections of Pipe Shown in Plan View.
 2. Remove Existing Blow Off Line & Repair Hole in Wall.
 3. Remove Existing Rolling.
 4. Remove Existing Straight Pipe and Elbow Beyond Check Valve & Replace As Shown.
 5. Cut The Two Sections (1) To Proper Length & Replace As Shown.
 6. Cut Section From Blow Off Line To Proper Length, Drill & Tap Elbow For 1/2" & Replace As Shown.
 7. Set 2" Beams in Place As Shown & Pour Floor.

PUMPHOUSE REVISIONS

MICHIGAN
DEPARTMENT OF CONSERVATION
PARKS AND RECREATION DIVISION

SLEEPER STATE PARK
SOUTH CAMPGROUND WATER PUMPHOUSE
Scale 3/4" = 1'-0"

SHEET
NO. 1
OF 1

PLAN NO.
E-115 A