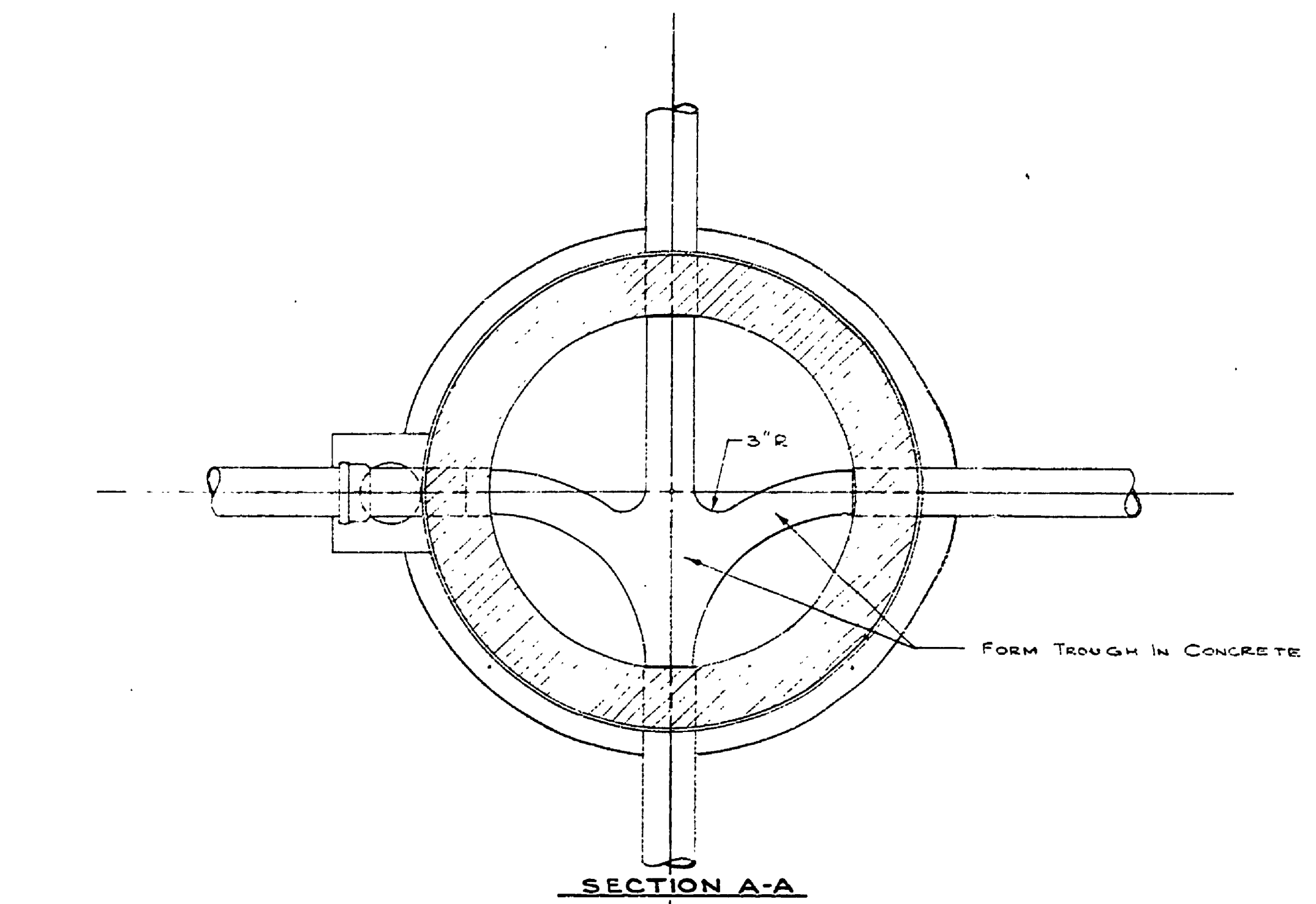
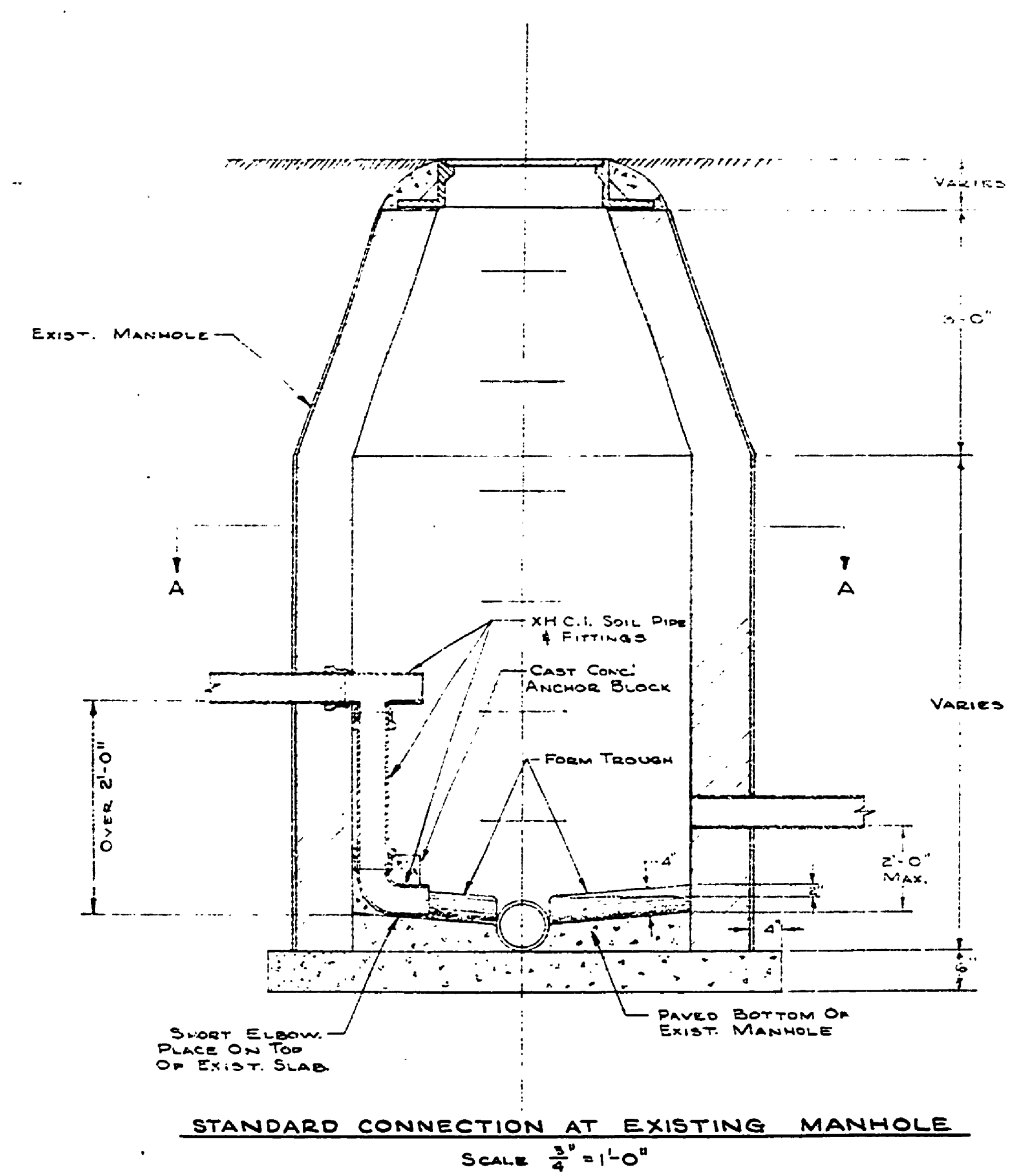
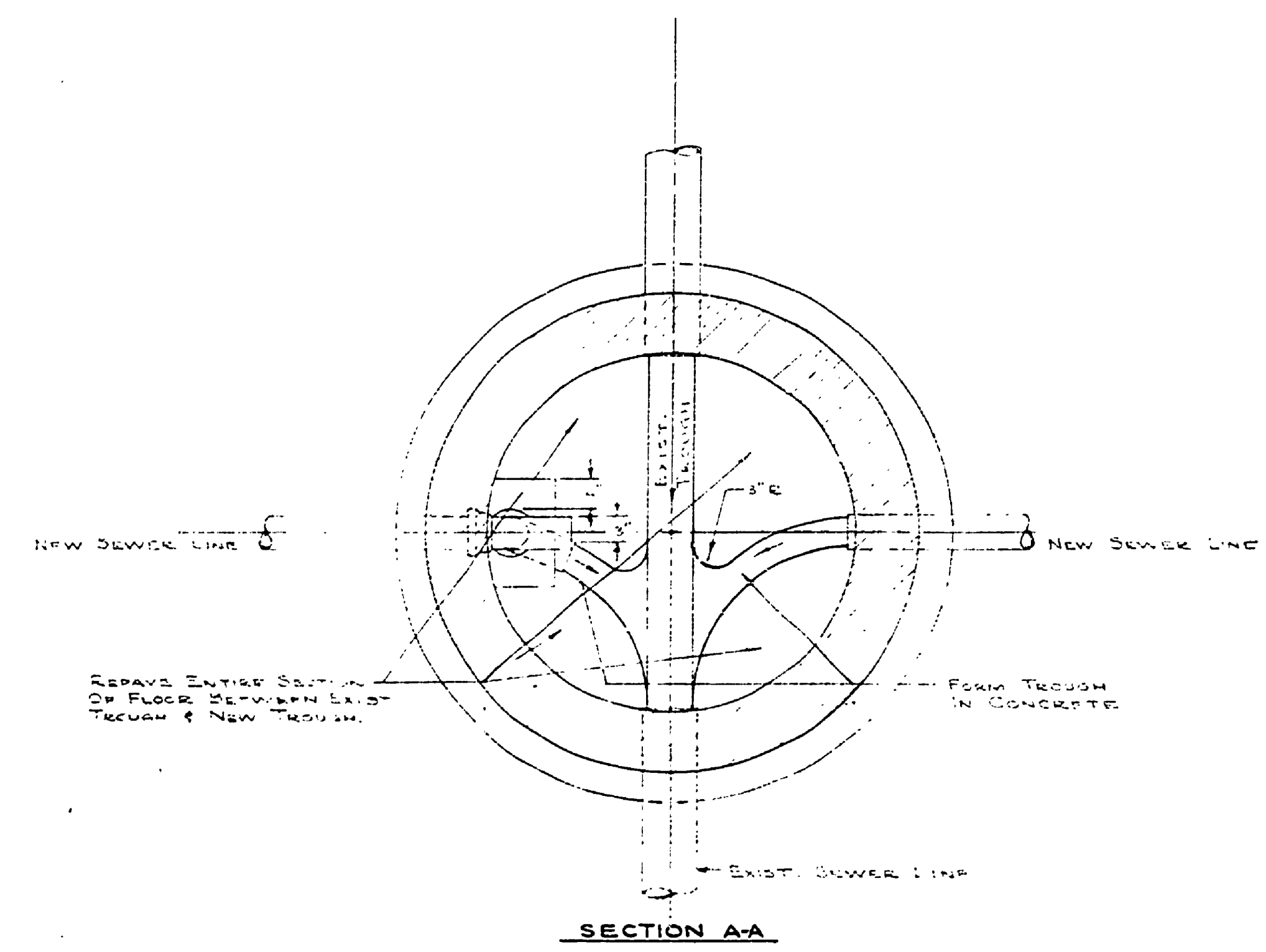
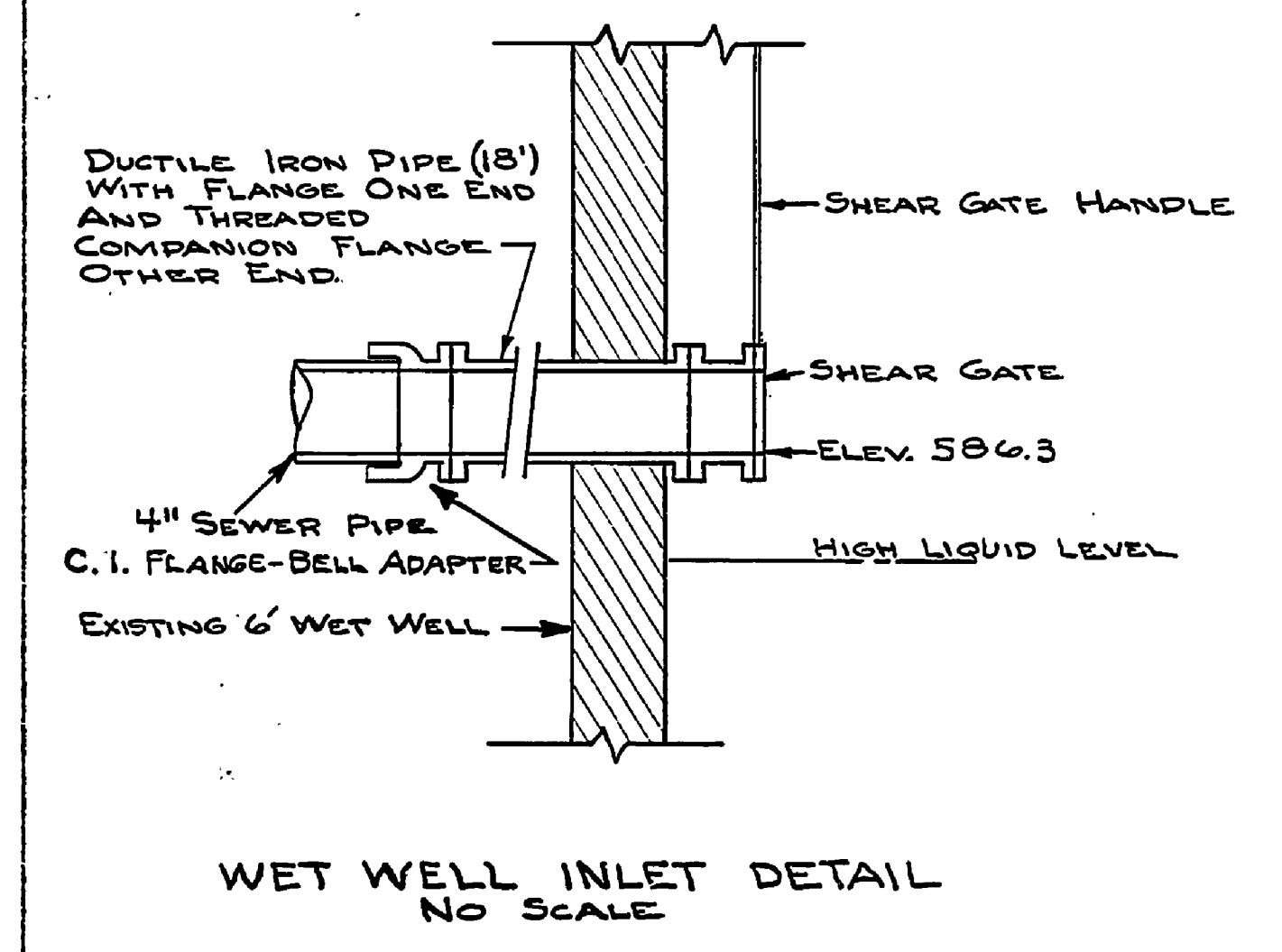
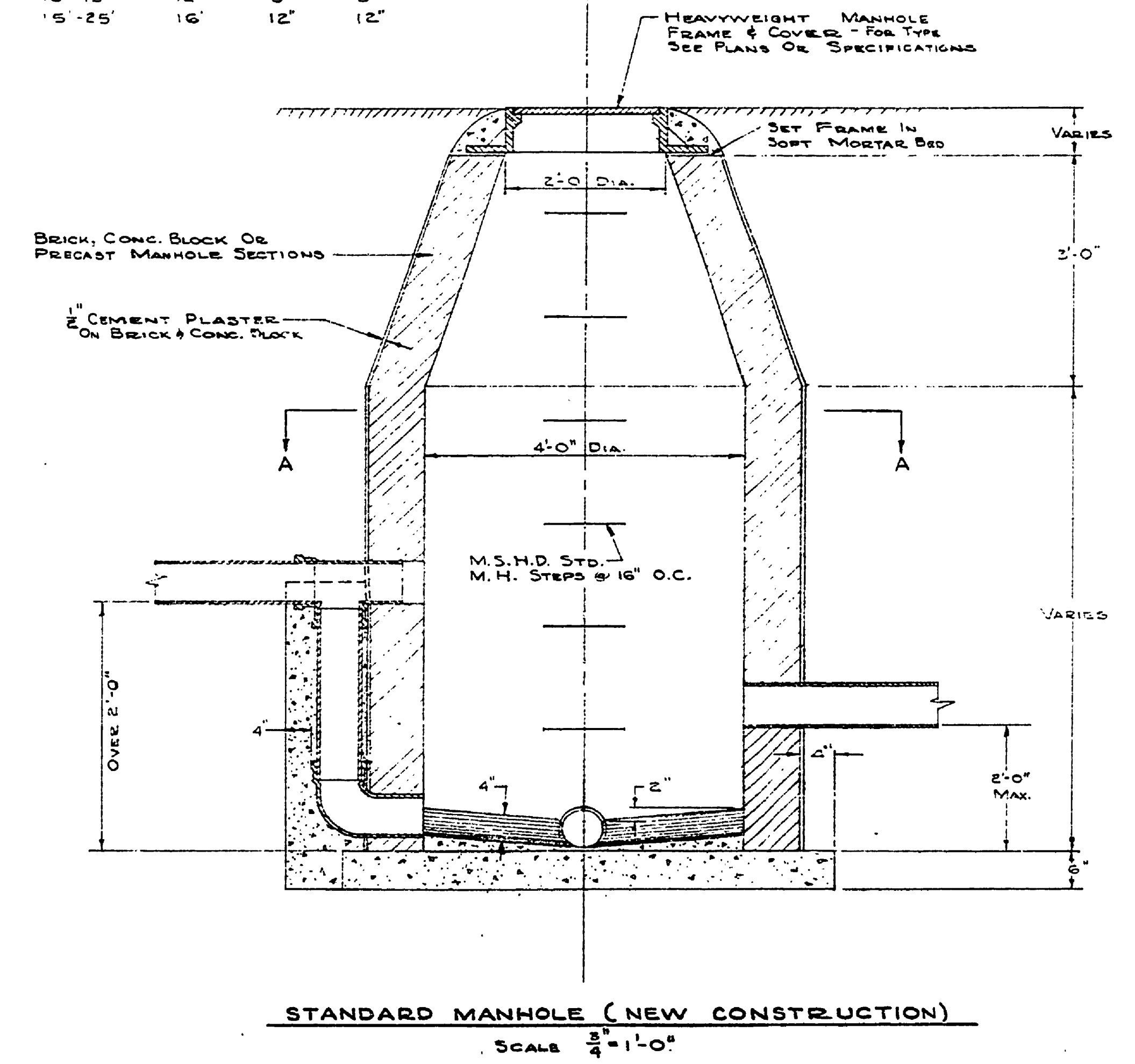


DESIGNED BY	DATE	REVIEWED	DATE	APPROVED	DATE	NO.	DATE	BY	REVISIONS	DATE	BY
DRAWN BY		ARCHITECTURAL				1			4		
CHECKED BY		ENGINEER				2			5		
		LANDSCAPE				3			6		



MIN. WALL THICKNESS

M.H. DEPTH	BRICK	CONG. BLOCK	PRECAST CONG.
0'-10"	8"	6"	6"
10'-15"	12"	8"	8"
15'-25"	16"	12"	12"



MICHIGAN
DEPARTMENT OF CONSERVATION
PARKS AND RECREATION DIVISION

SLEEPER STATE PARK
MANHOLE & WET WELL DETAILS

SHEET NO. 3 OF 8
PLAN NO. STANDARD DETAIL

Pa. 99.2-99.2-976.031-C.2:5:6-8

SE-158