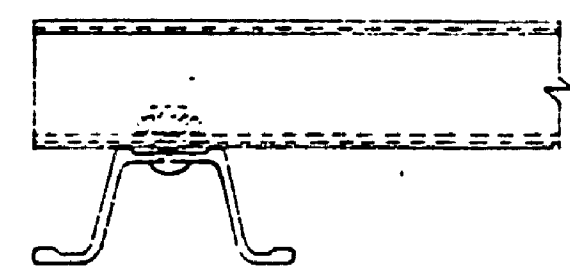
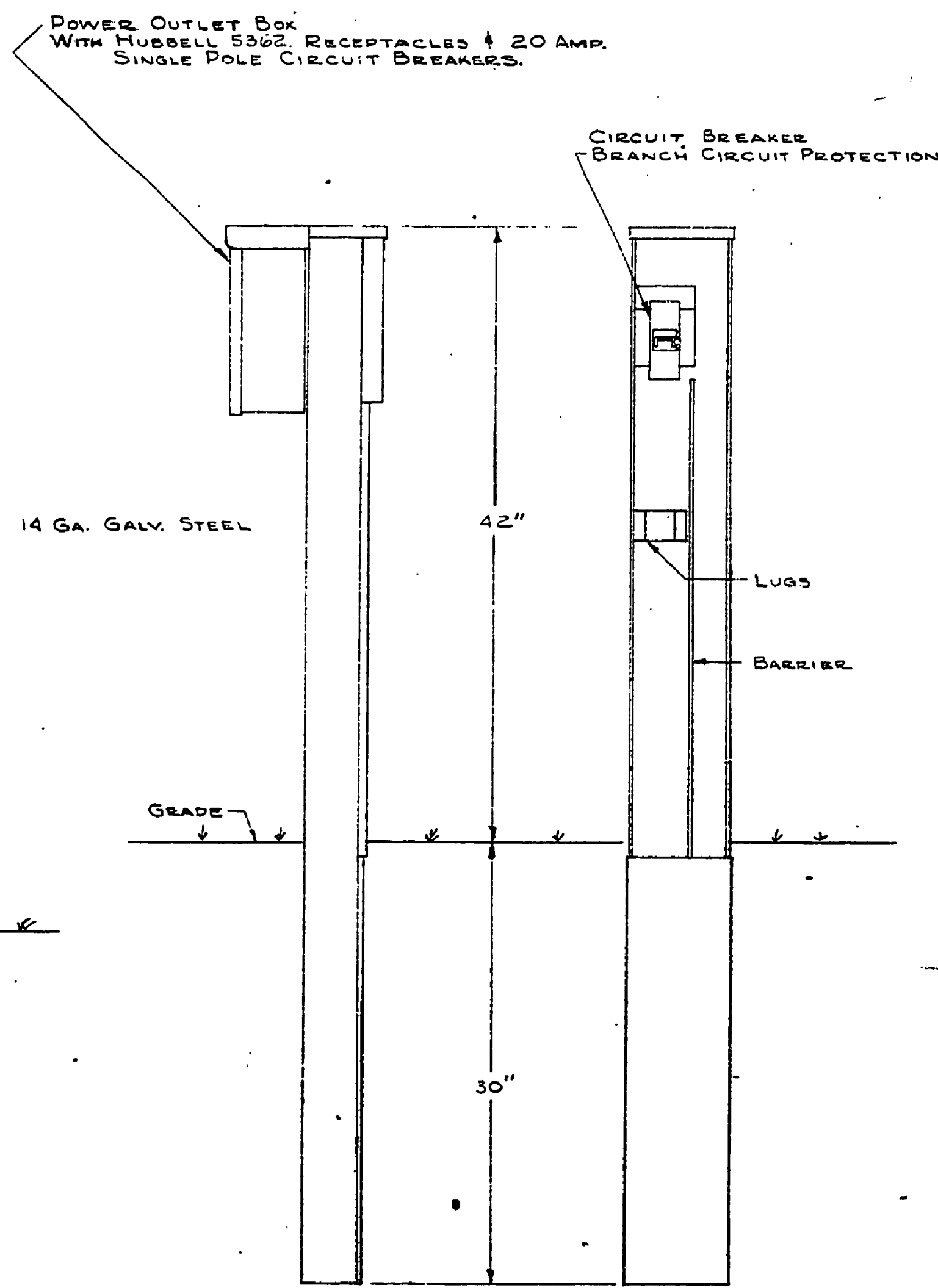


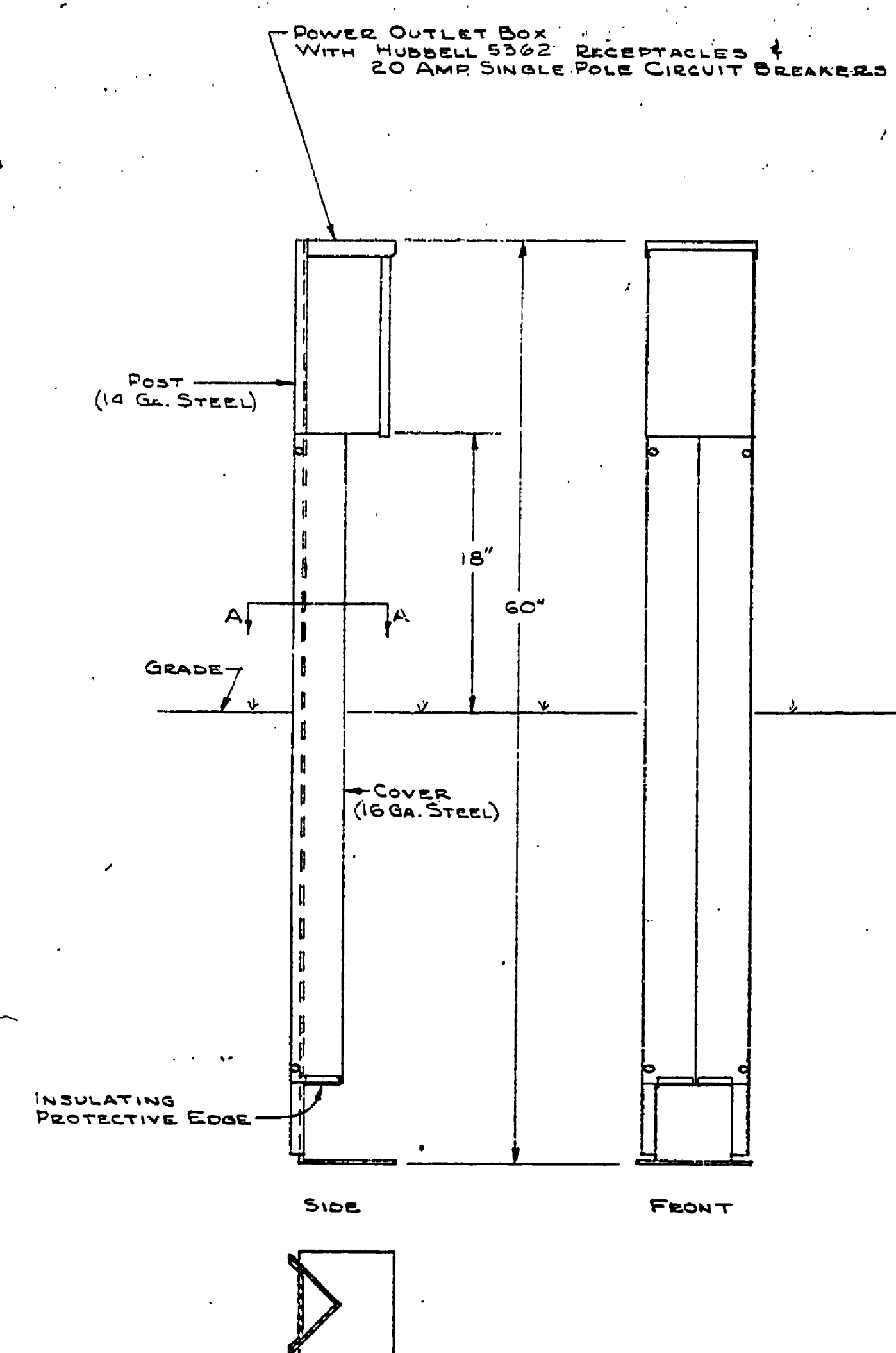
ENTRANCE RACK
WITH METER SOCKET & CIRCUIT BREAKER PANEL BOARD



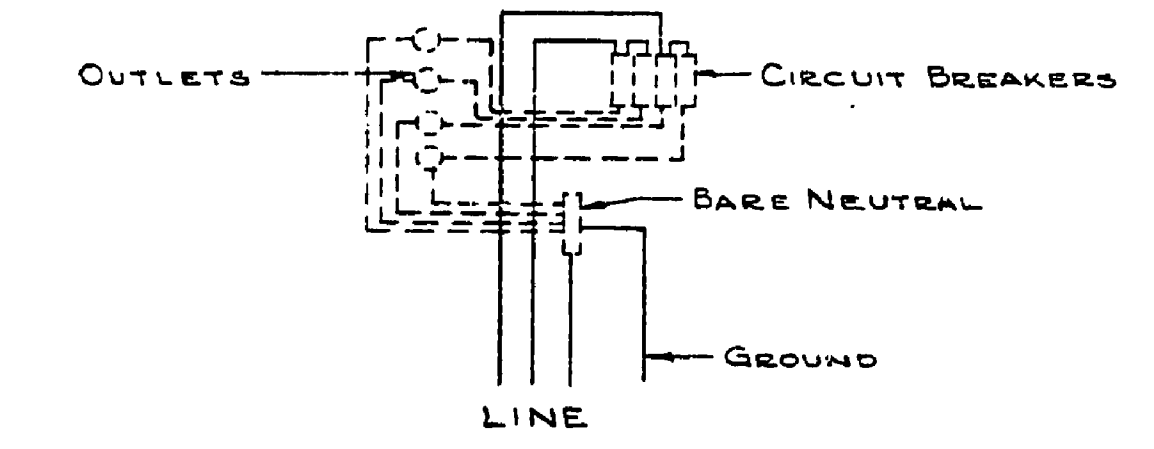
SECTION A-A
NO SCALE



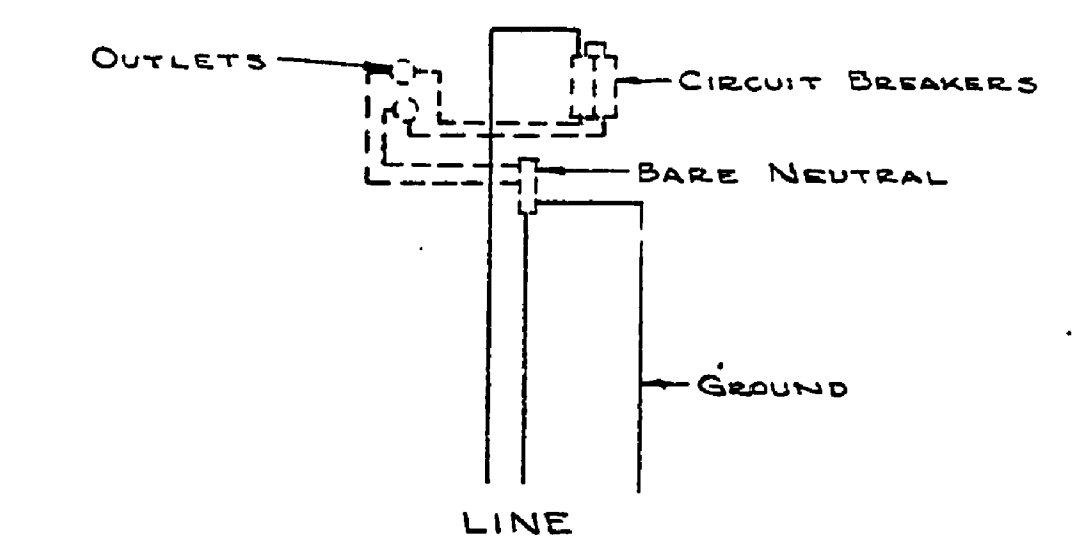
JUNCTION POST
WITH OUTLET BOX & BRANCH CIRCUIT PROTECTION



MOUNTING POST
WITH OUTLET BOX



WIRING DIAGRAM
FOR 3 & 4 OUTLET BOXES



WIRING DIAGRAM
FOR 2 OUTLET BOX

NOTE: THESE POSTS ARE DESIGNED TO PERMIT LOOPING OF CABLE FROM ONE UNIT TO THE NEXT. SPlicing TO BE DONE IN POST. LUGS ARE PROVIDED TO RECEIVE UP TO #4/0 WIRE. GROUND #6 BARE TO EQUIPMENT GROUND PROVIDED ON POST.

SURVEYED BY	DRAWN BY	NO.	DATE	BY	REVISIONS	NO.	DATE	BY	REVISIONS
DESIGNED BY W. J. POYET	J. YDMA & E. HARRY	1.	AUG. '66			3.			
	CHECKED BY	2.				4.			

MICHIGAN
DEPARTMENT OF CONSERVATION

STANDARD PLAN
UNDERGROUND SECONDARY
FOR CAMPGROUND

SHEET NO. OF
FOR PROJECT NO. PA 999-9972-976-031

SLEEPER STATE PARK
SHEET 8 OF 9 PLAN NO. E-118