

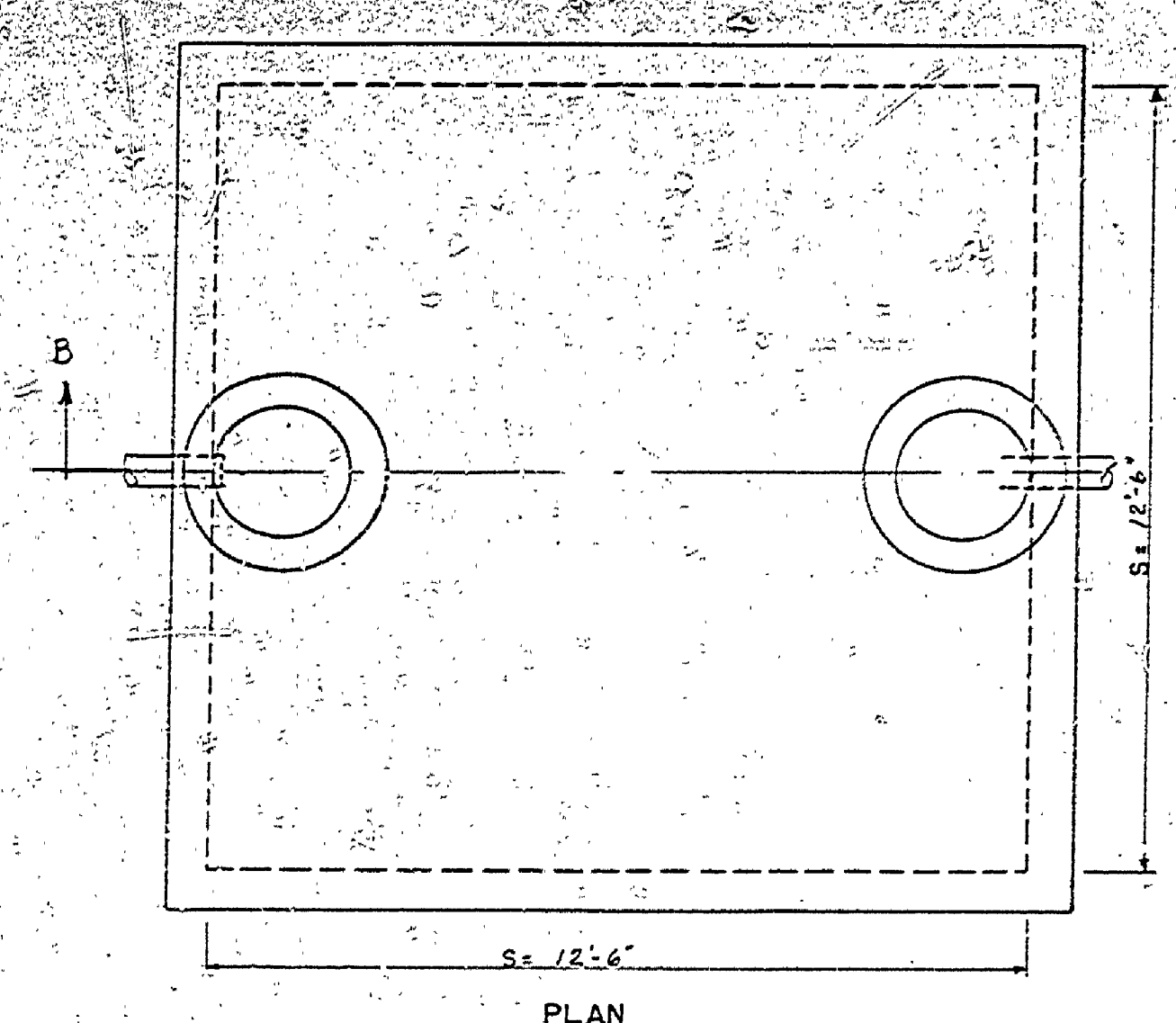
NO.	DATE	BY	REVISIONS
1	11-18-54	E.A.P.	Plan E to Replace Plan E 107
2			
3			

DATE	APPROVED BY
11-18-54	<i>[Signature]</i>
11-18-54	ASSISTANT CHIEF IN CHARGE OF DESIGN

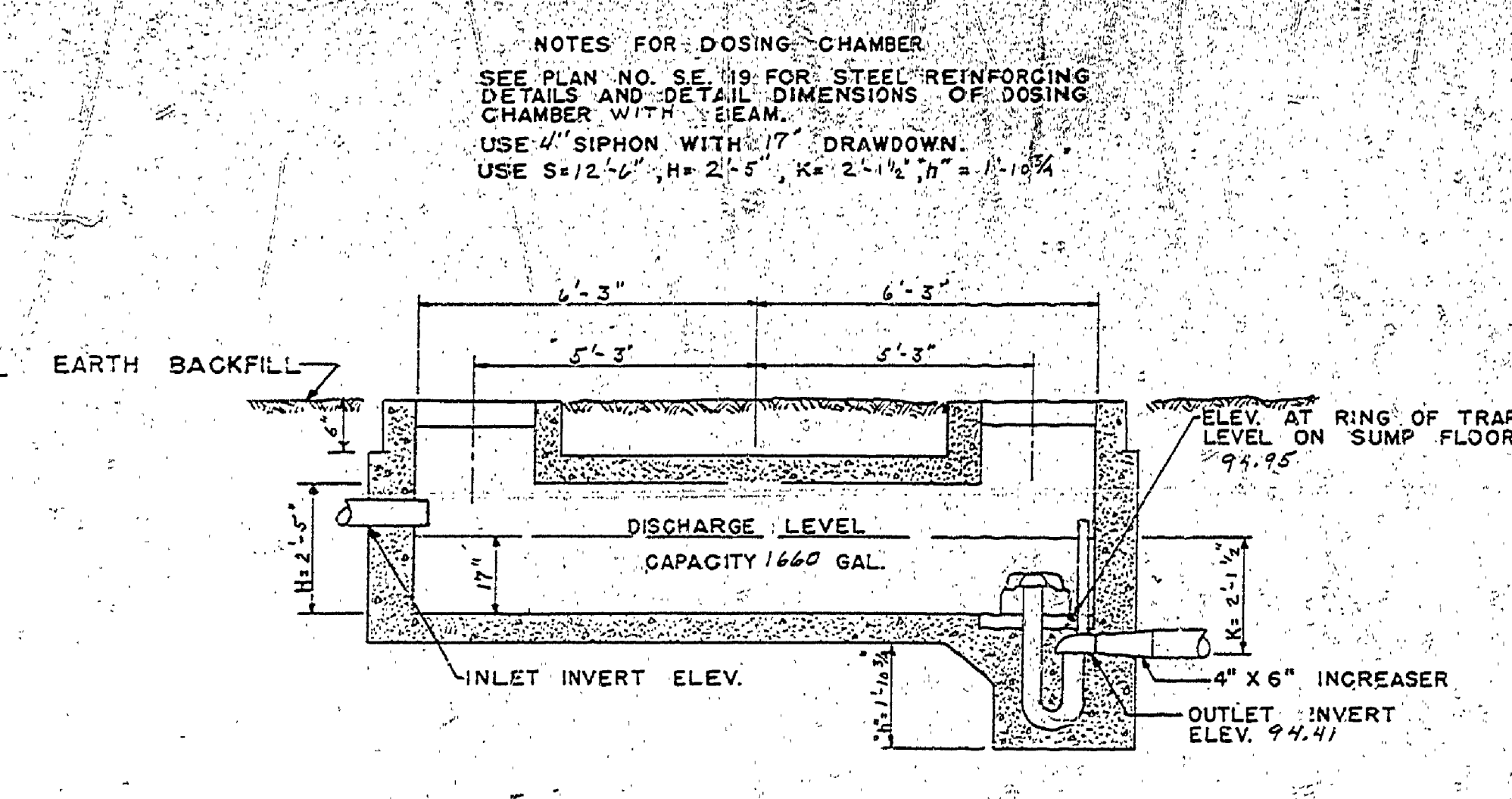
REVIEWED BY SECTIONS	DATE
ARCHITECTURAL	11-18-54
ENGINEERING	11-18-54
LANDSCAPE	11-18-54

DRAWN BY	DATE
E.J.P.	Nov. 16, 1954

CHECKED BY	DATE
H.C.M.	Nov. 16, 1954

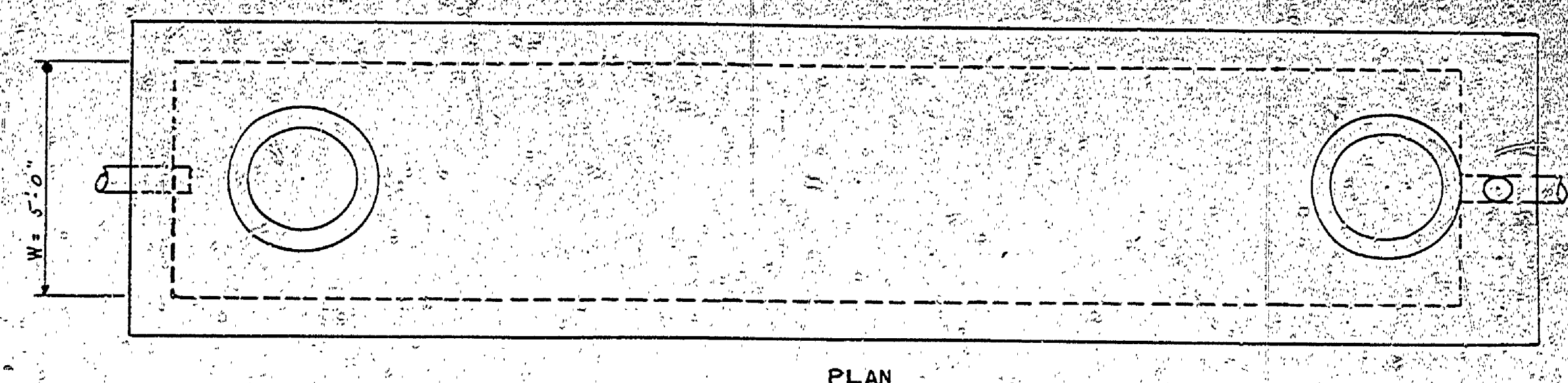


PLAN



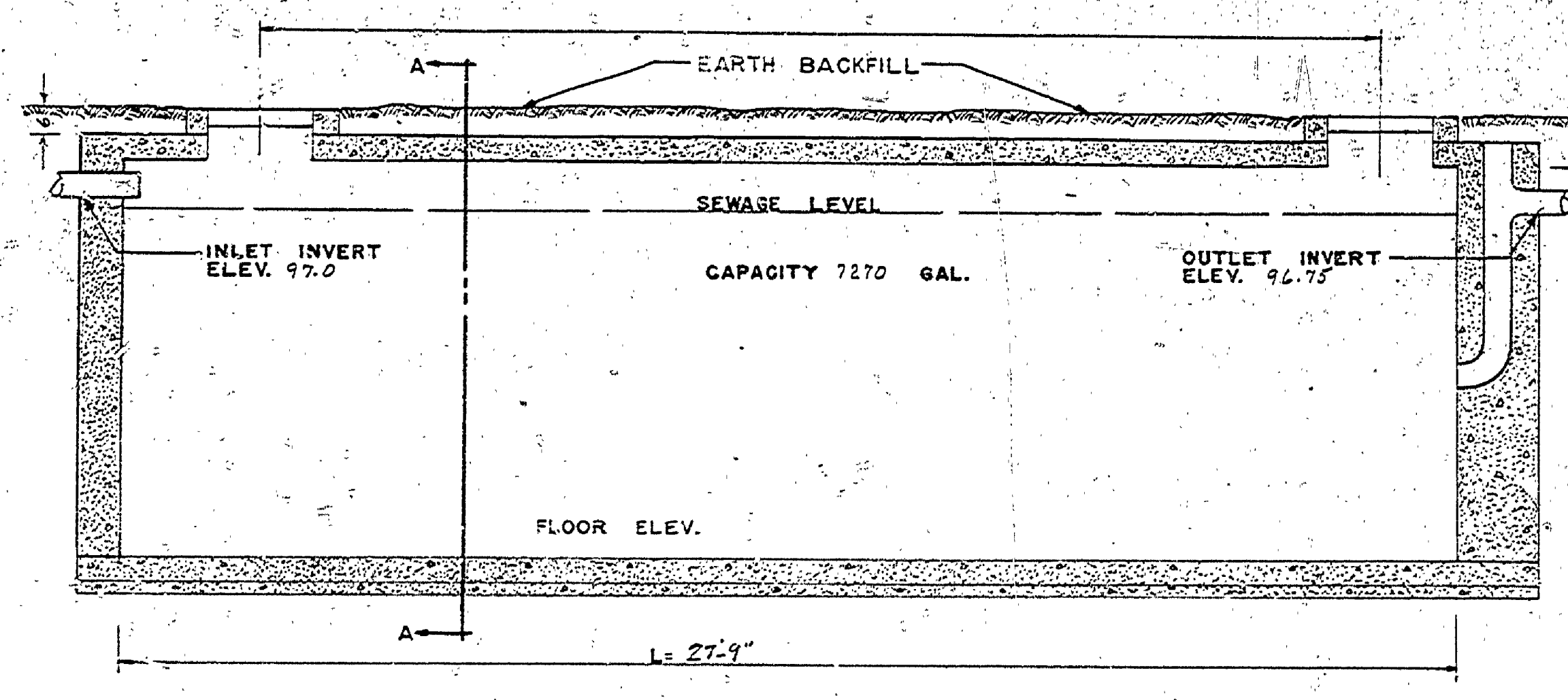
SECTION B-B

DOSING CHAMBER
NOT TO SCALE



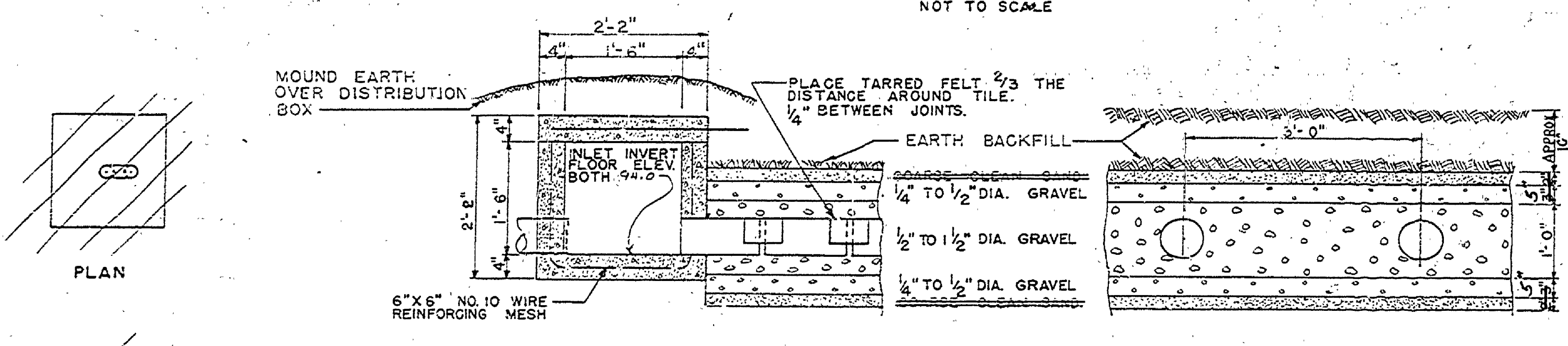
PLAN

NOTES FOR SEPTIC TANK
SEE PLAN NO. SE-12 FOR STEEL REINFORCING DETAILS AND DETAIL DIMENSIONS.
USE 1/2" DIA. WIRE



LONGITUDINAL SECTION
SEPTIC TANK
NOT TO SCALE

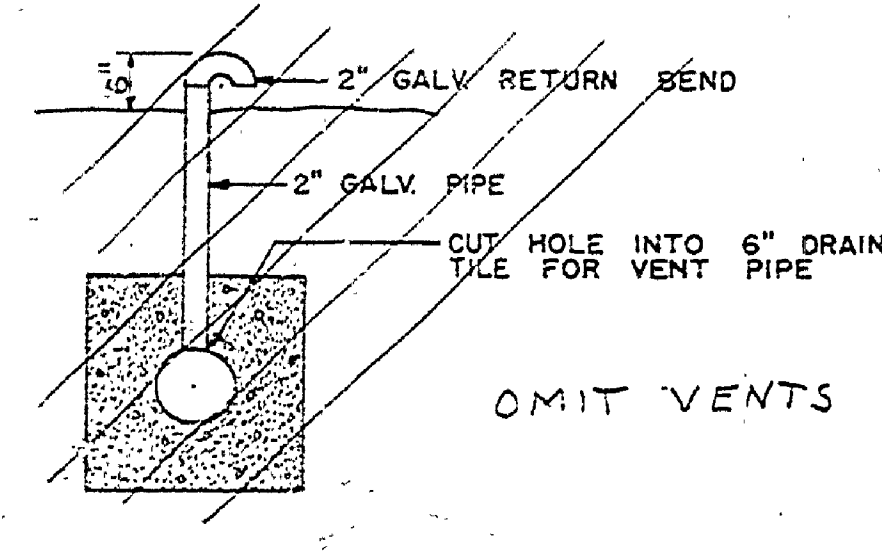
SECTION A-A



SECTION C-C

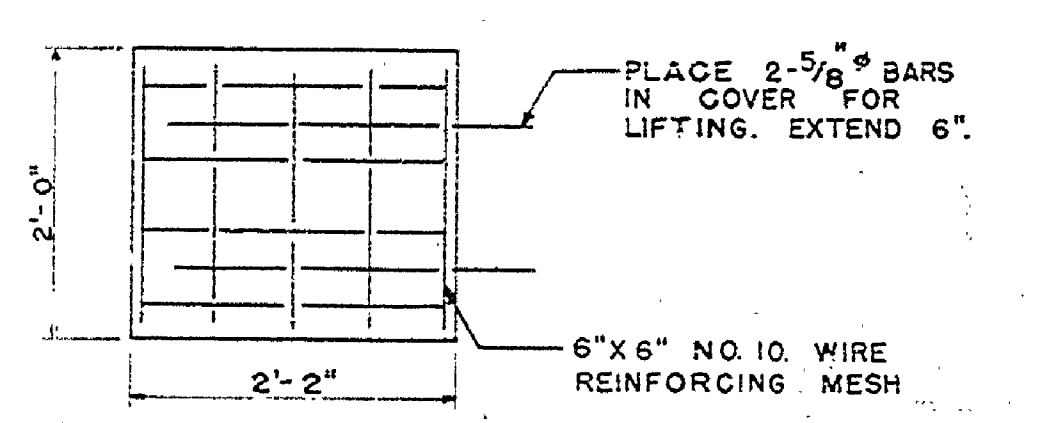
SECTION D-D

ELEVATION OF DISPOSAL FIELD
NOT TO SCALE

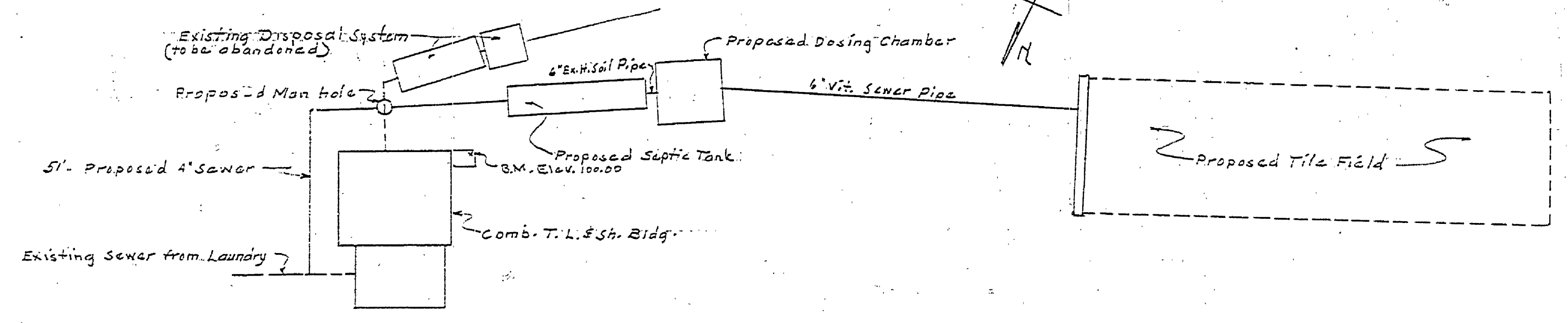


SECTION
VENT DETAIL
NOT TO SCALE

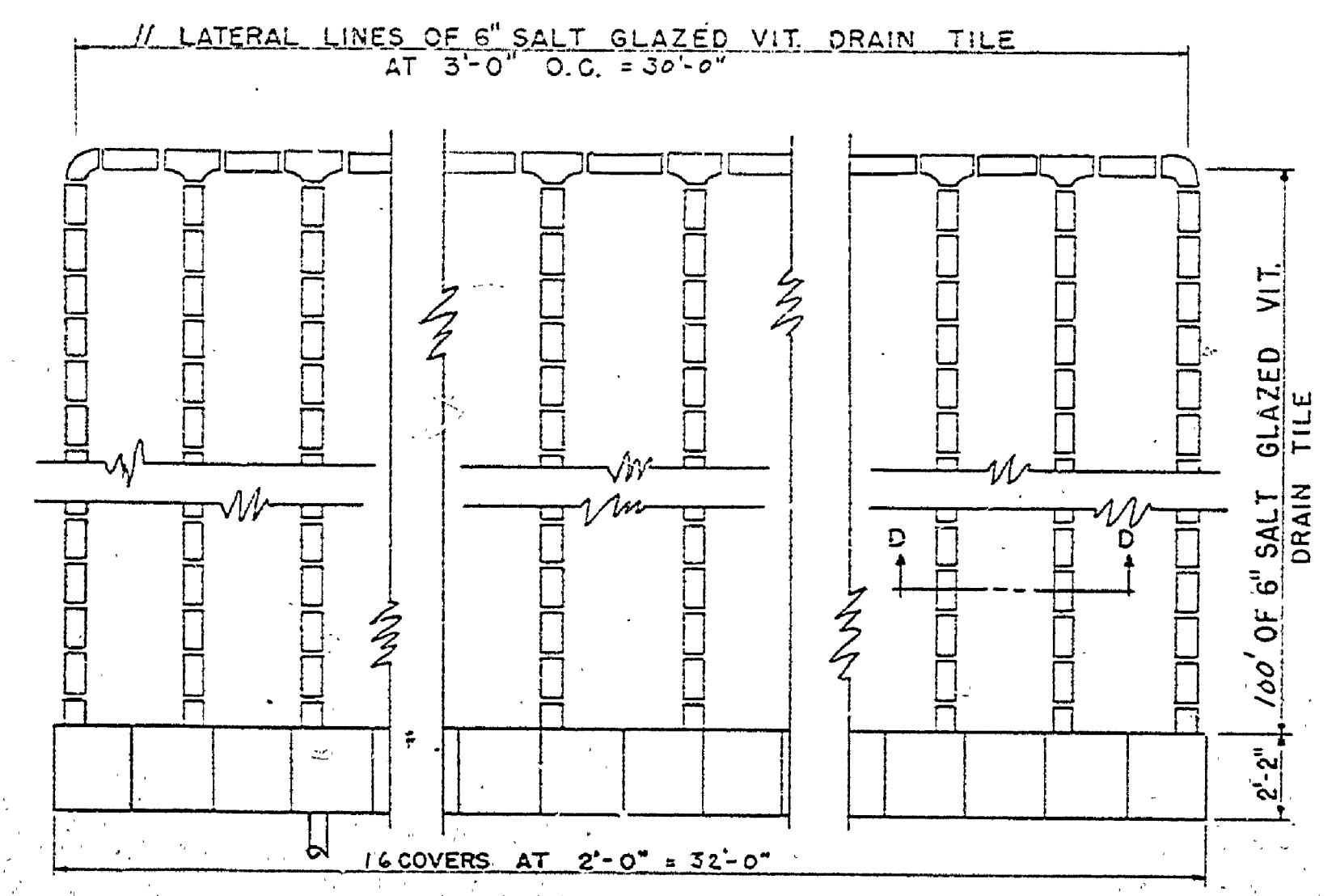
OMIT VENTS



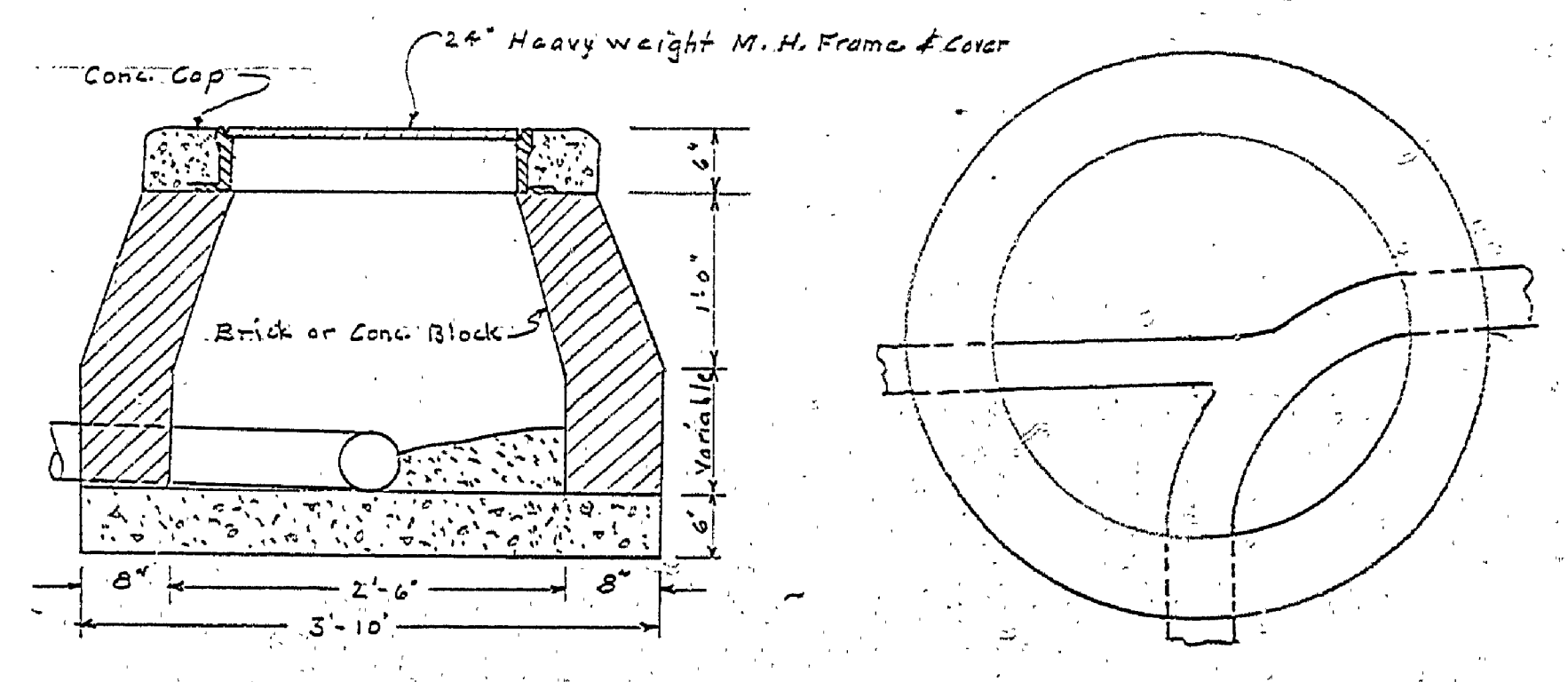
DISTRIBUTION BOX COVER
NOT TO SCALE



PLOT PLAN
SCALE 1/8" = 1'-0"



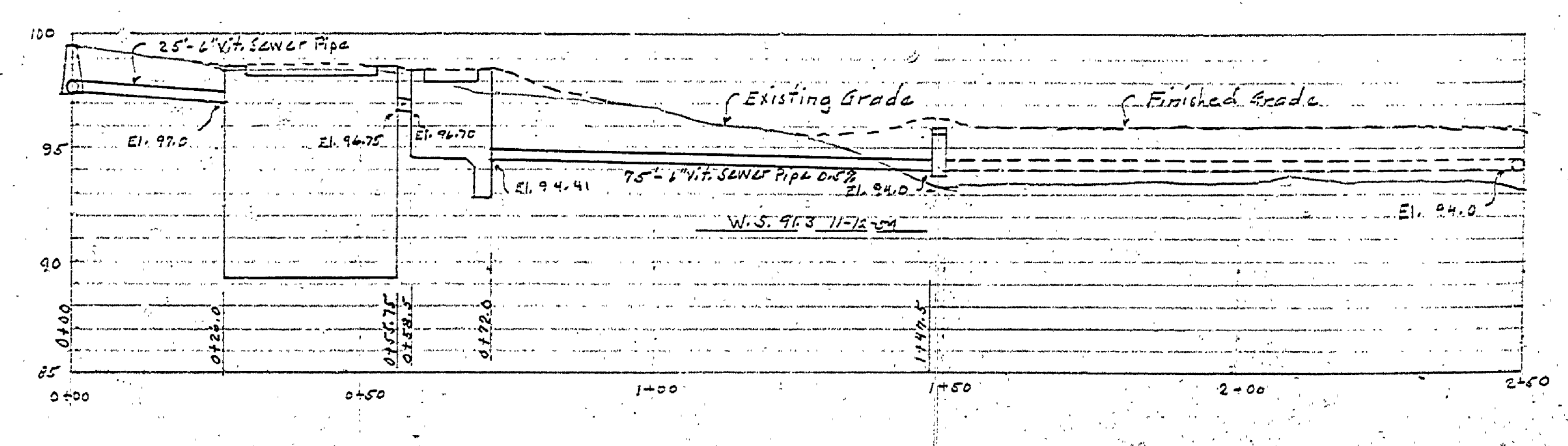
PLAN
DISPOSAL FIELD
NOT TO SCALE



SECTION

PLAN

MANHOLE DETAIL



PROFILE

SCALE - Vertical 1/4" = 1'-0"
Horizontal 1/8" = 1'-0"

MICHIGAN
DEPARTMENT OF CONSERVATION
PARKS AND RECREATION DIVISION

HIGGINS LAKE STATE PARK
EAST C.G. TOILET DISPOSAL SYSTEM
SCALE ASSUMED

SHEET NO. 1 OF 3
PLAN NO. E-110