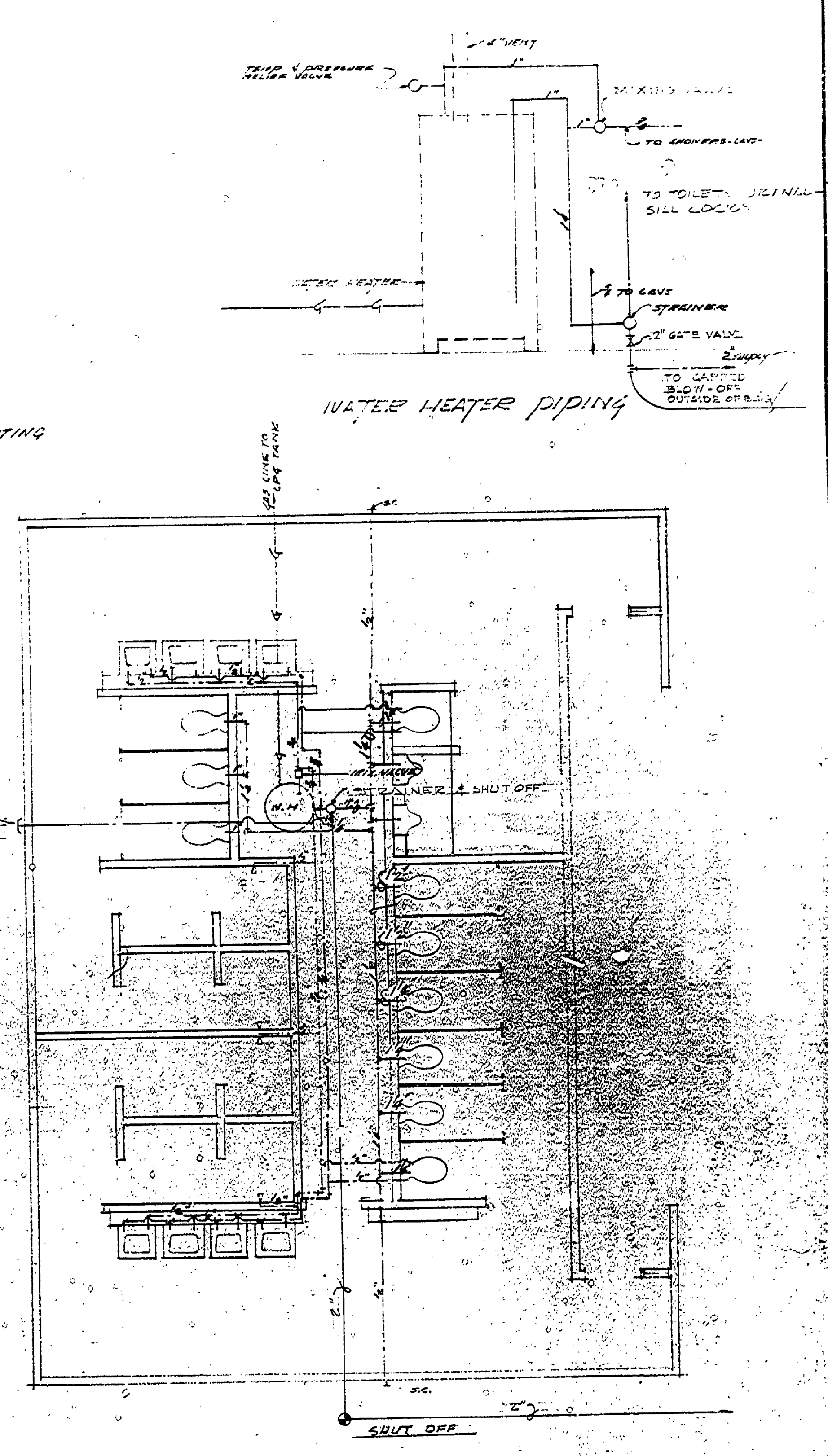
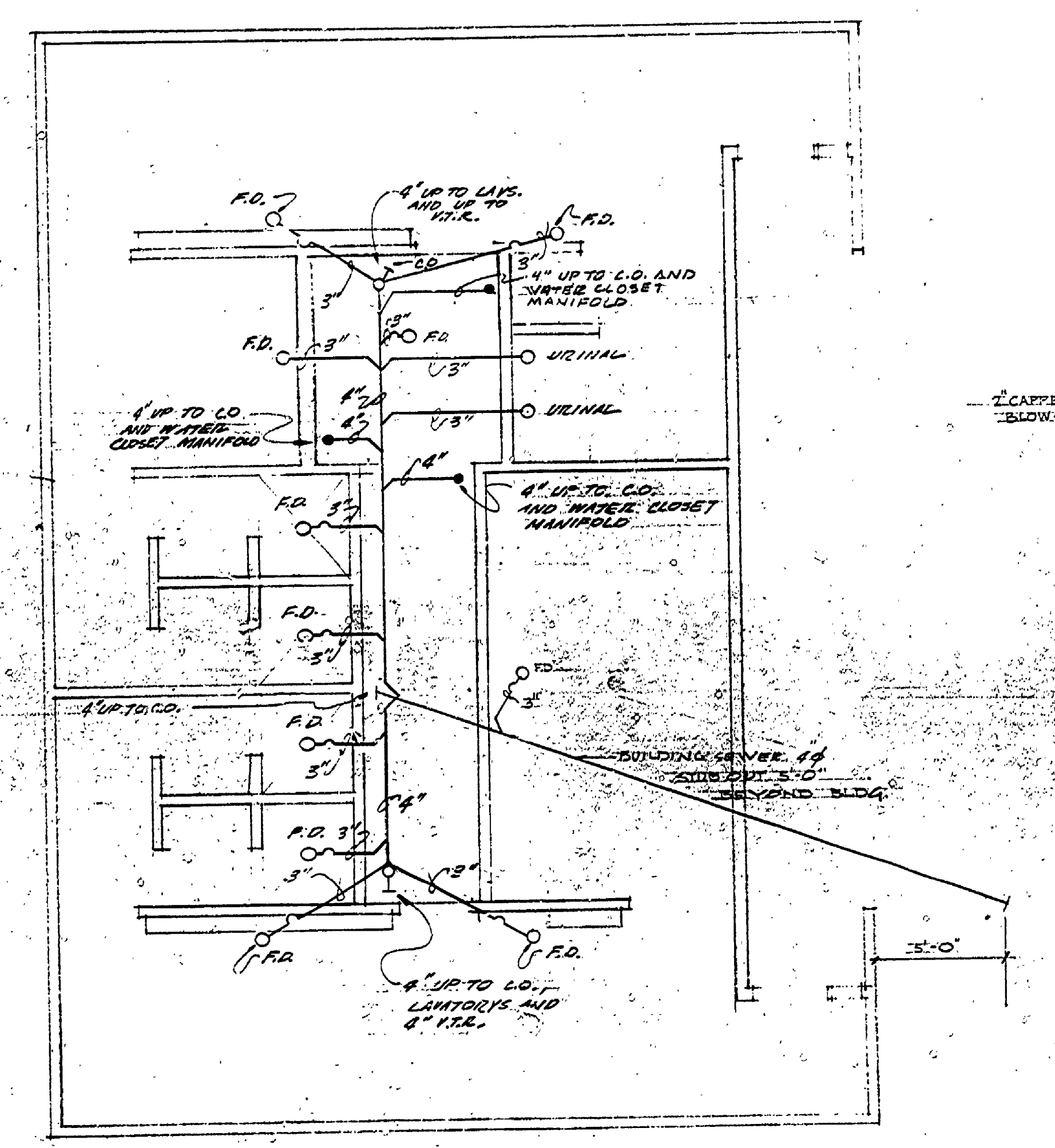
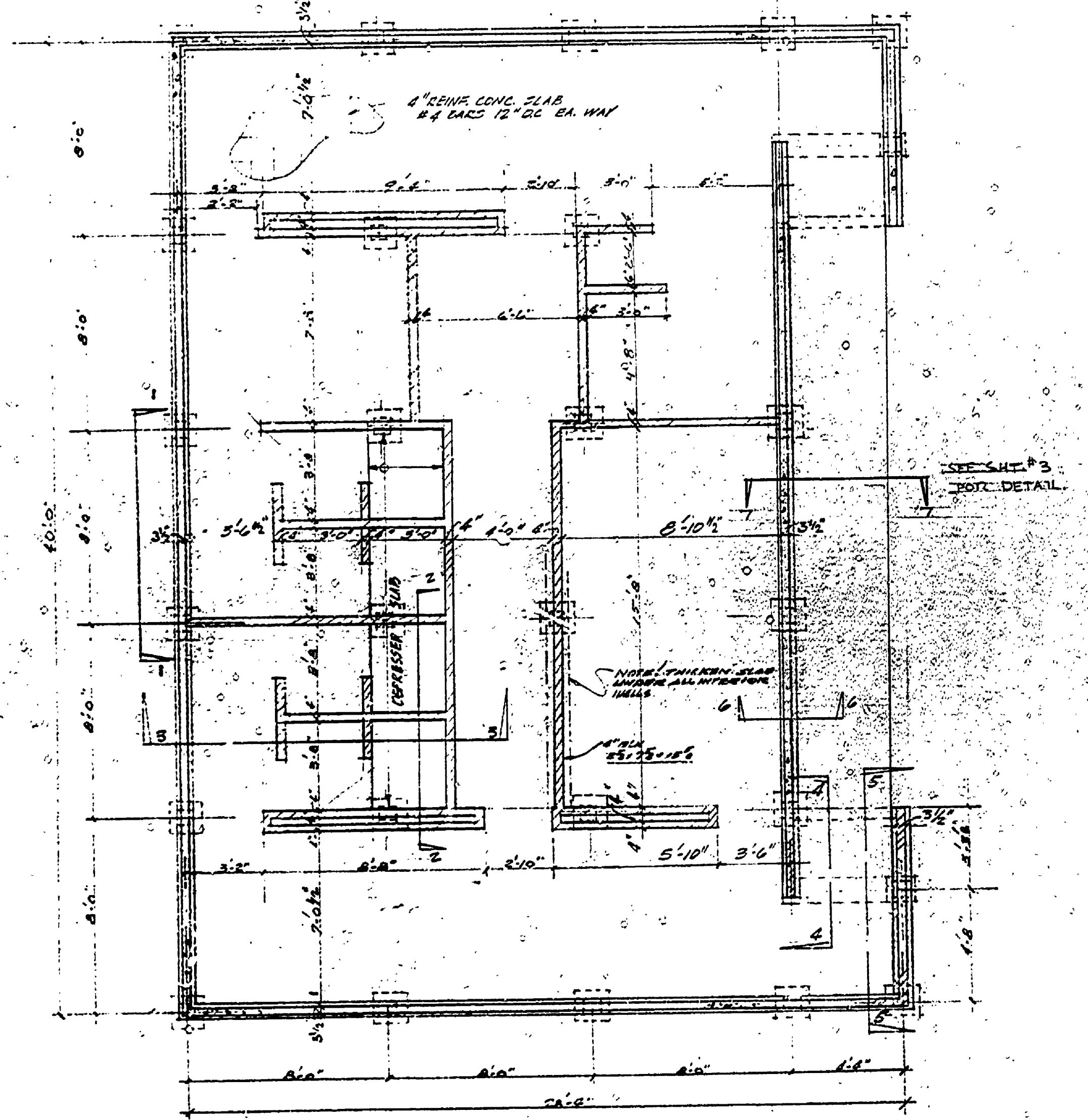
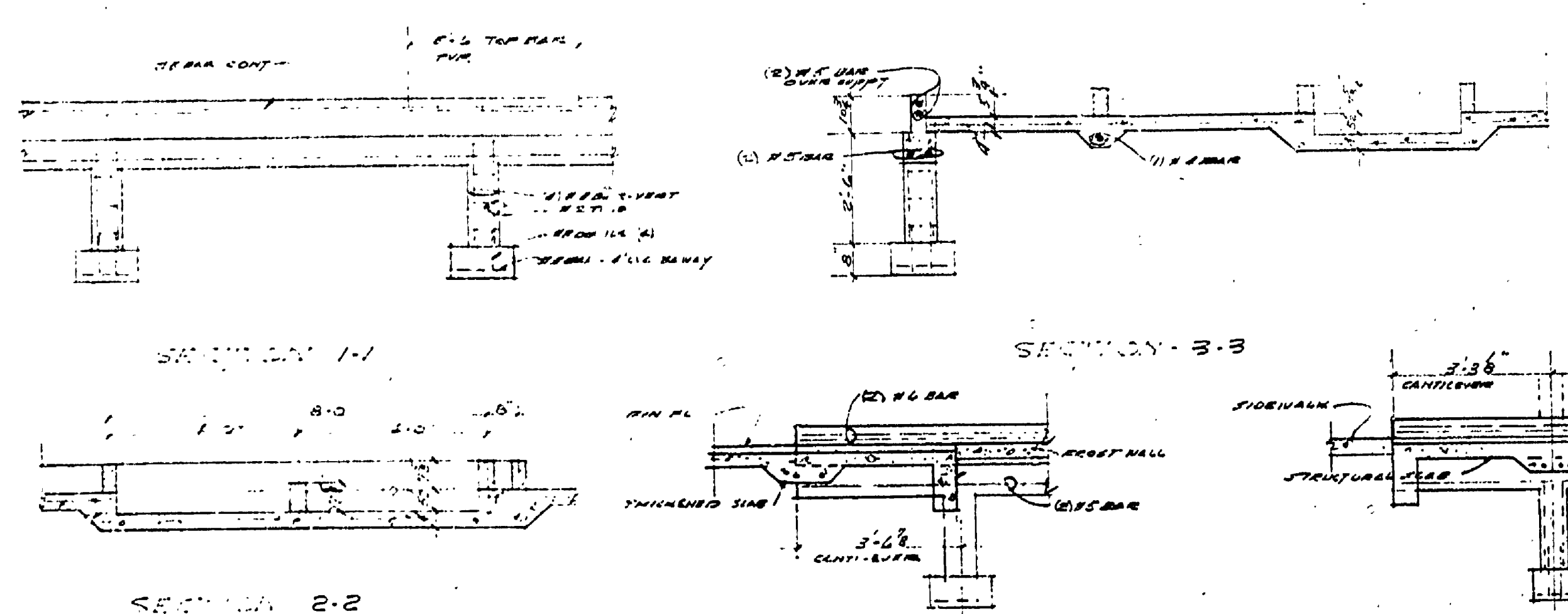


| DATE | REVIEWED | DATE | APPROVED | DATE | NO. | DATE | BY | REVISIONS |
|---------|----------|---------|----------|------|---------|------|------|-----------|
| 8-14-61 | W.H. | 8-14-61 | W.H. | 1 | 8-14-61 | 1 | W.H. | 4 |
| 8-14-61 | W.H. | 8-14-61 | W.H. | 2 | 8-14-61 | 2 | W.H. | 5 |
| 8-14-61 | W.H. | 8-14-61 | W.H. | 3 | 8-14-61 | 3 | W.H. | 6 |



MICHIGAN DEPARTMENT OF CONSERVATION PARKS AND RECREATION DIVISION

FOUNDATION PLAN - PLUMBING PLANS
HIGGINS LAKE STATE PARK SOUTH
TOILET & SHOWER BLDG. - SOUTH
SHEET NO. 2 OF 5
PLAN NO. K-108