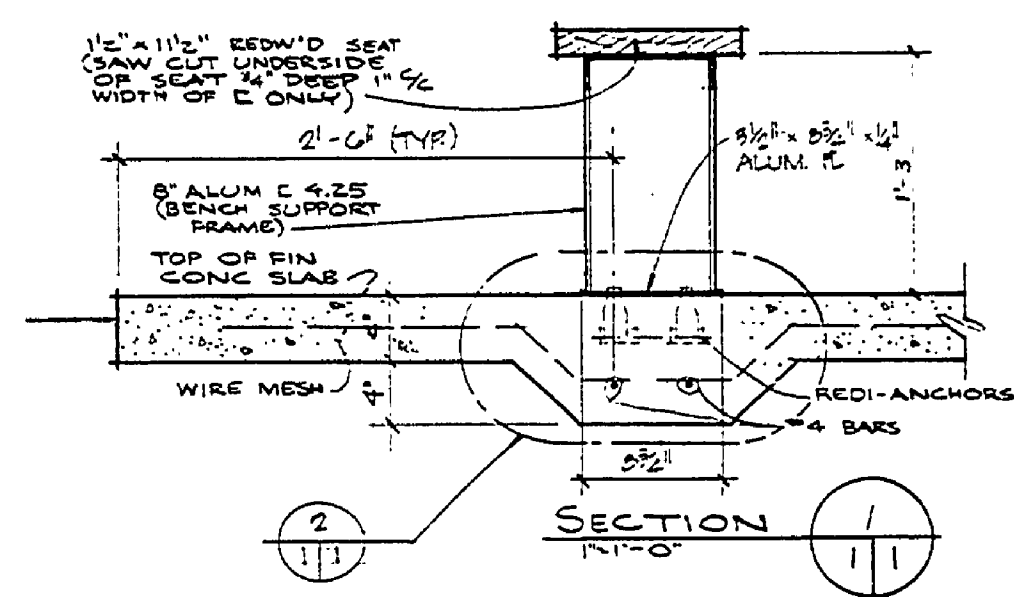
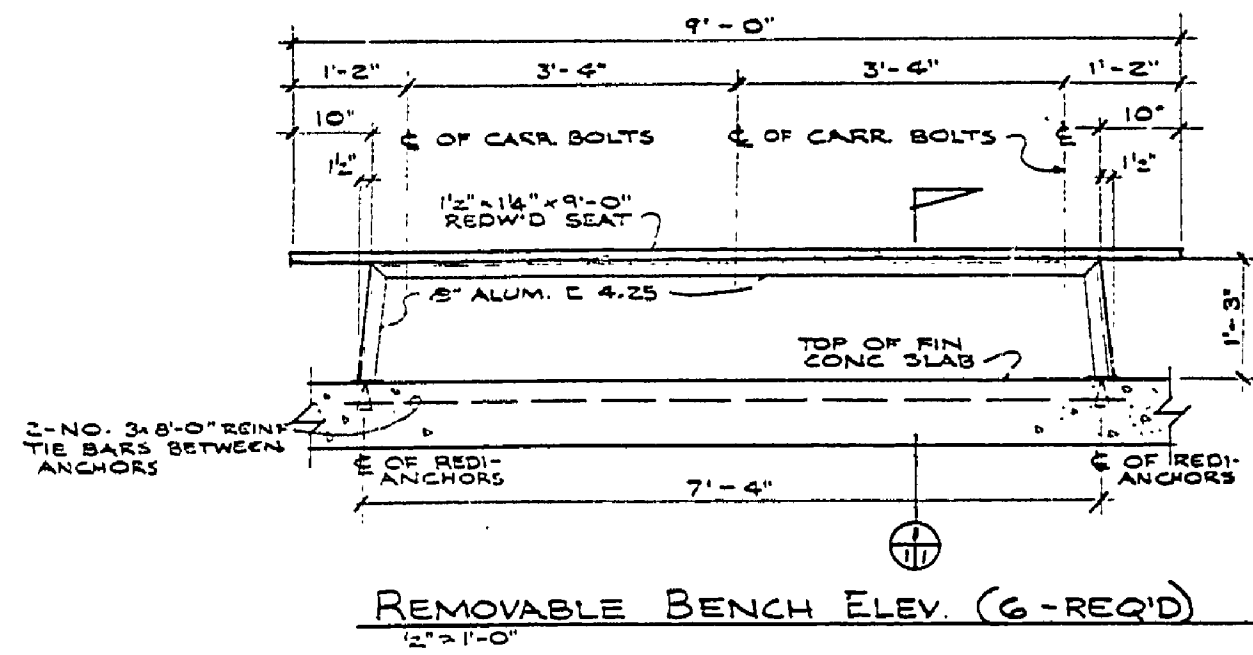


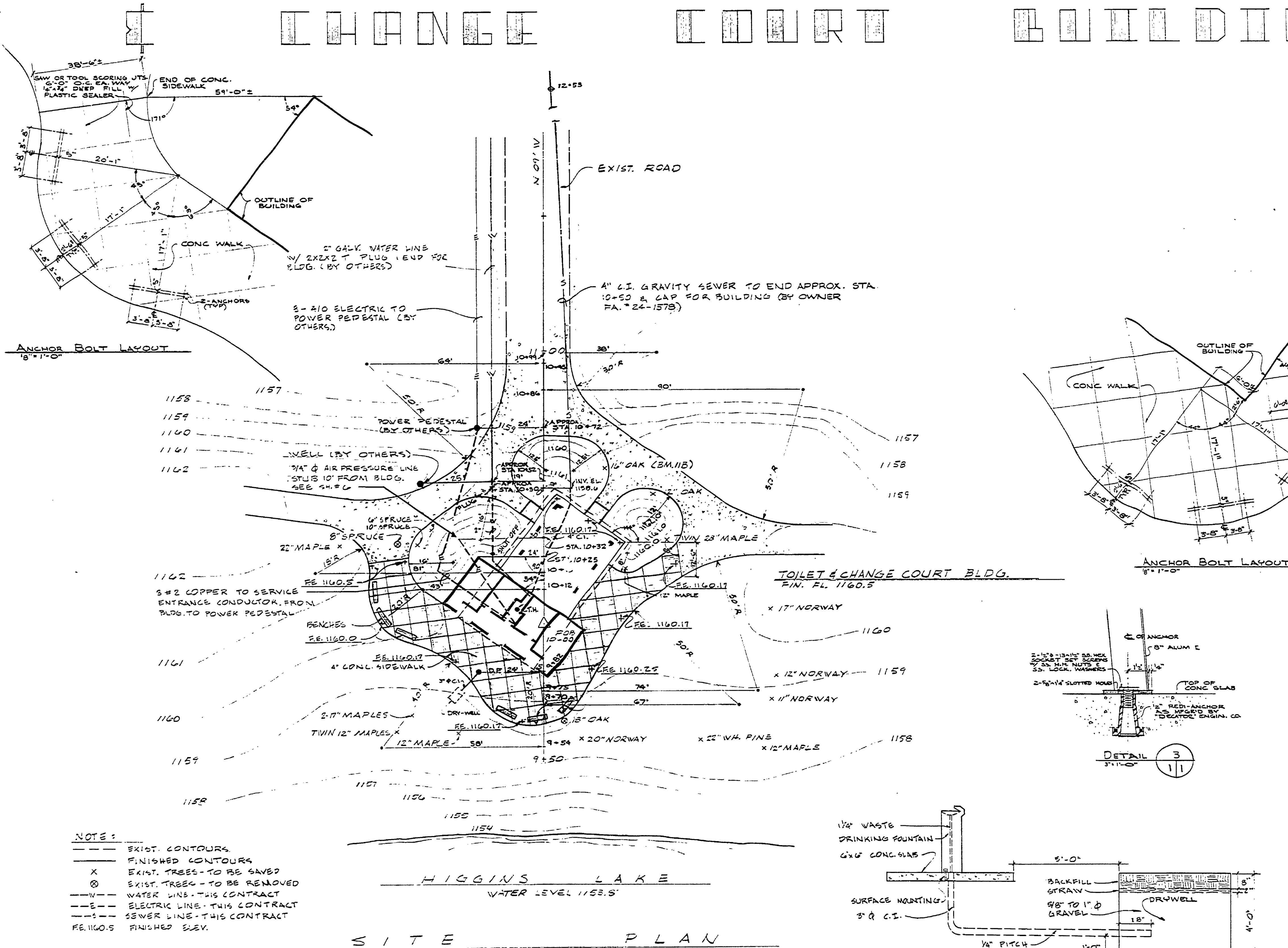
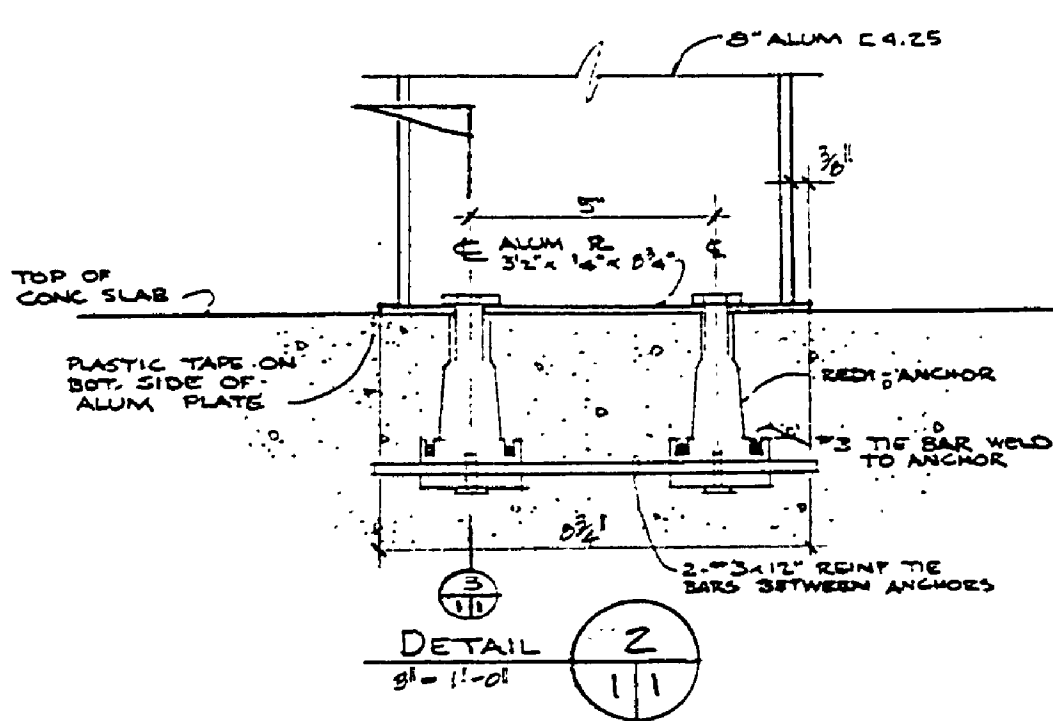
NORTH HIGGINS LAKE STATE PARK

TOILET & CHANGE COURT BUILDING

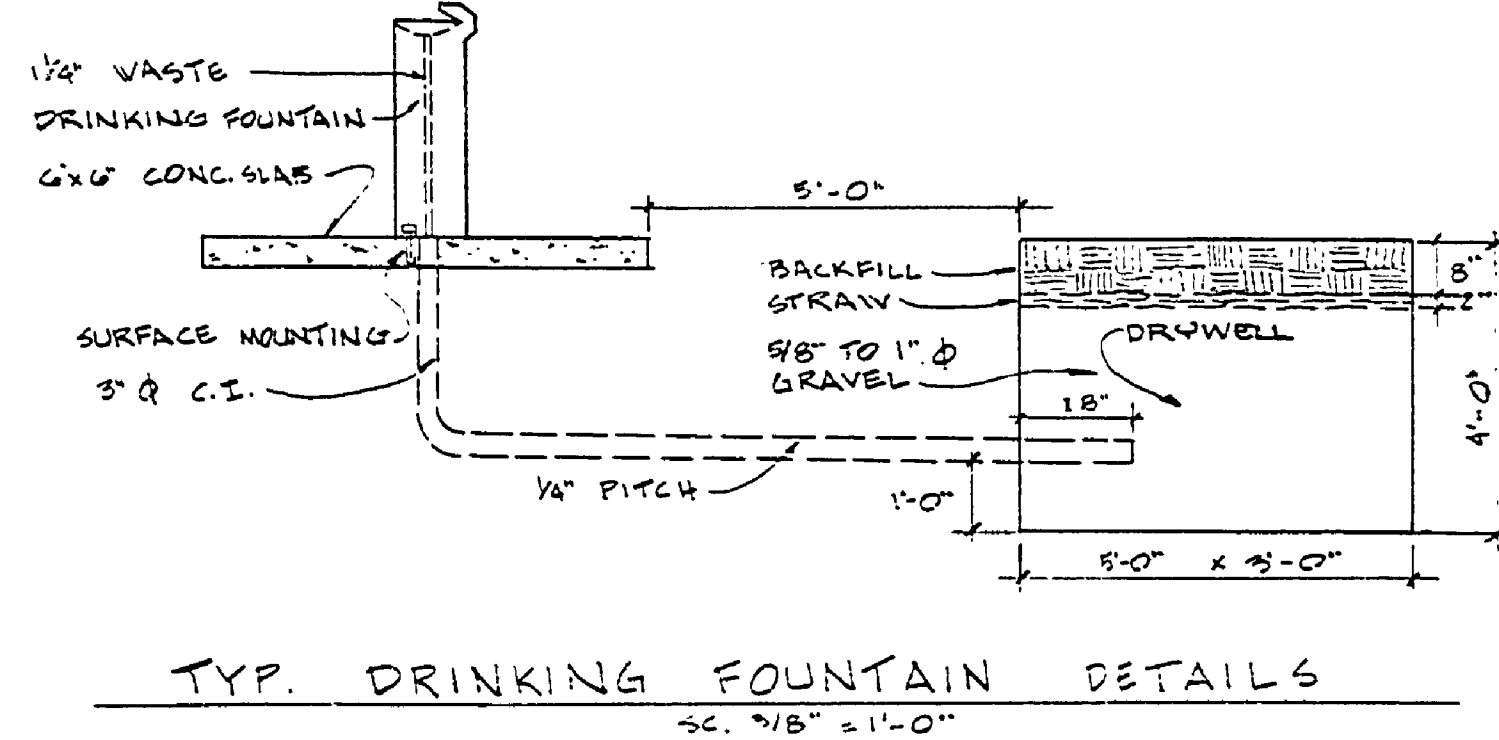


WITNESSES

- POB 10-00 PIPE
- N 63°E 18.48' 4" NORWAY PINE
- N 08°E 60.47' 16" OAK (BM 118)
- PT. 12-53.00 & 100+00.00 PIPE
- N 41°E 18.58' 6" SPRUCE
- N 39°E 53.23' 9" OAK
- S 55°W 22.80' 7" CEDAR
- BM 118 ELEV. 1161.26
- STA. 10+57 21' RT. RR. SPIKE IN E. SIDE OF 16" OAK.
- T.H. AT BUILDING SITE
- 0.0' - 0.5' GRAVEL (R.O. FILL)
- 0.5' - SAND



- NOTE:**
- EXIST. CONTOURS
 - FINISHED CONTOURS
 - X EXIST. TREES - TO BE SAVED
 - ⊙ EXIST. TREES - TO BE REMOVED
 - W- WATER LINE - THIS CONTRACT
 - E- ELECTRIC LINE - THIS CONTRACT
 - S- SEWER LINE - THIS CONTRACT
 - FE. 1160.5 FINISHED GLEY.



DRAWING SCHEDULE	
SH. NO.	DESCRIPTION
1	TITLE SHEET & SITE PLAN
2	FOUNDATION PLAN, DETAILS & WASTE PLUMBING PLAN (BELOW FLOOR)
3	FLOOR PLAN, SCHEDULES, ELEVATIONS, DETAILS & WASTE PLUMBING PLAN (ABOVE FLOOR)
4	SECTIONS & DETAILS
5	SECTIONS & WALL DETAILS
6	WATER SUPPLY & ELECTRICAL

APPROVED BY: <i>William C. Lane</i> DATE: 5-6-75	
RECOMMENDED FOR APPROVAL: <i>William C. Lane</i> DATE: 5-6-75	
RECOMMENDED FOR APPROVAL: <i>William C. Lane</i> DATE: 5-6-75	
APPROVED: <i>William C. Lane</i> DATE: 5-2-75	

SURVEYED BY	DRAWN BY G. TOMPKINS SP	NO. 1. DATE	BY	REVISIONS	NO. 3. DATE	BY	REVISIONS	MICHIGAN DEPARTMENT OF NATURAL RESOURCES	TITLE SHEET & SITE PLAN SHEET TITLE	NORTH HIGGINS LAKE STATE PARK AREA OR PARK	PROJECT NO. 24-1577
DESIGNED BY	CHECKED BY	DATE	DATE	DATE	DATE	DATE	DATE			TOILET & CHANGE COURT BUILDING PROJECT	SHEET 1 OF 6 PLAN NO. A-110