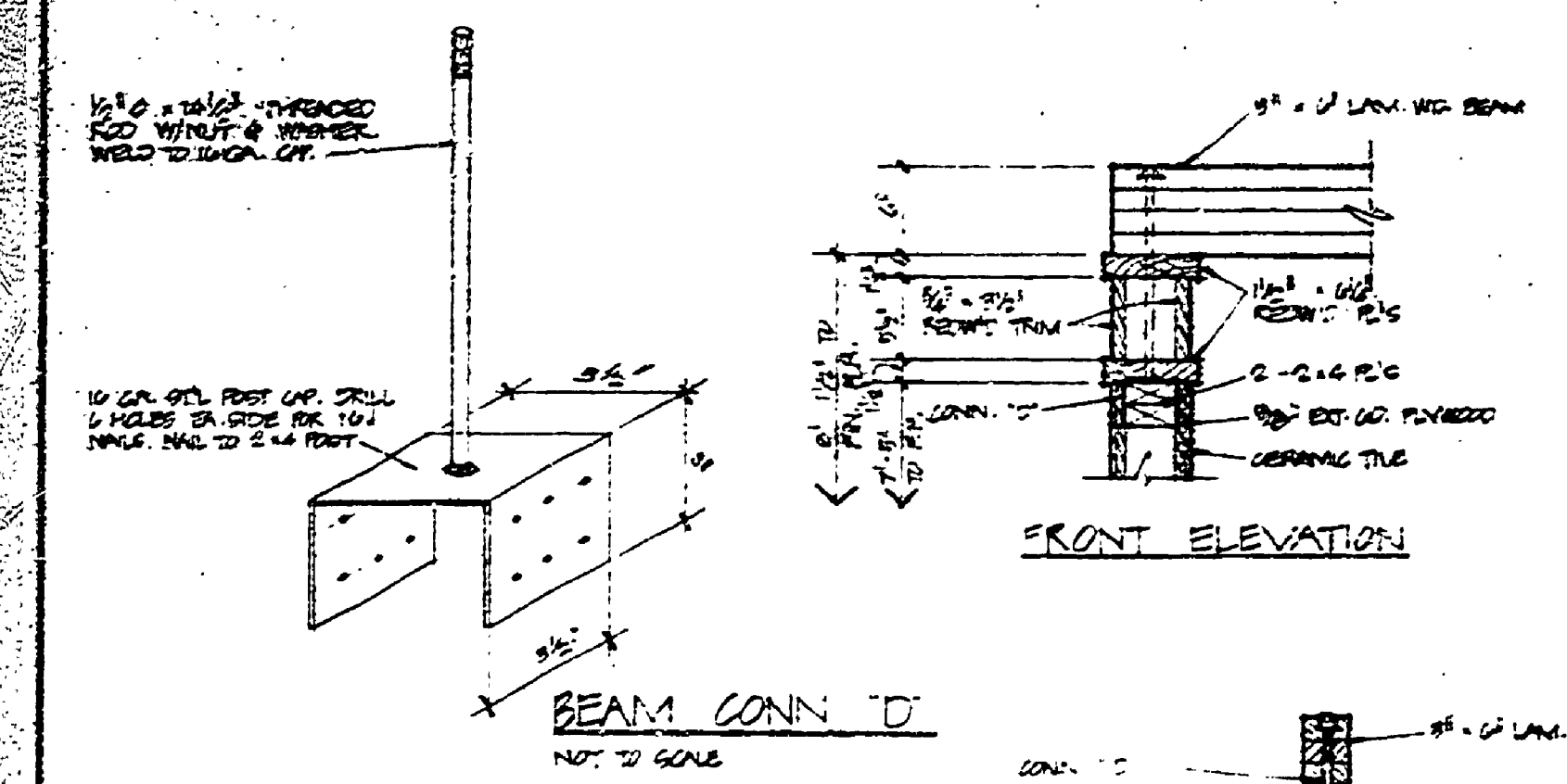
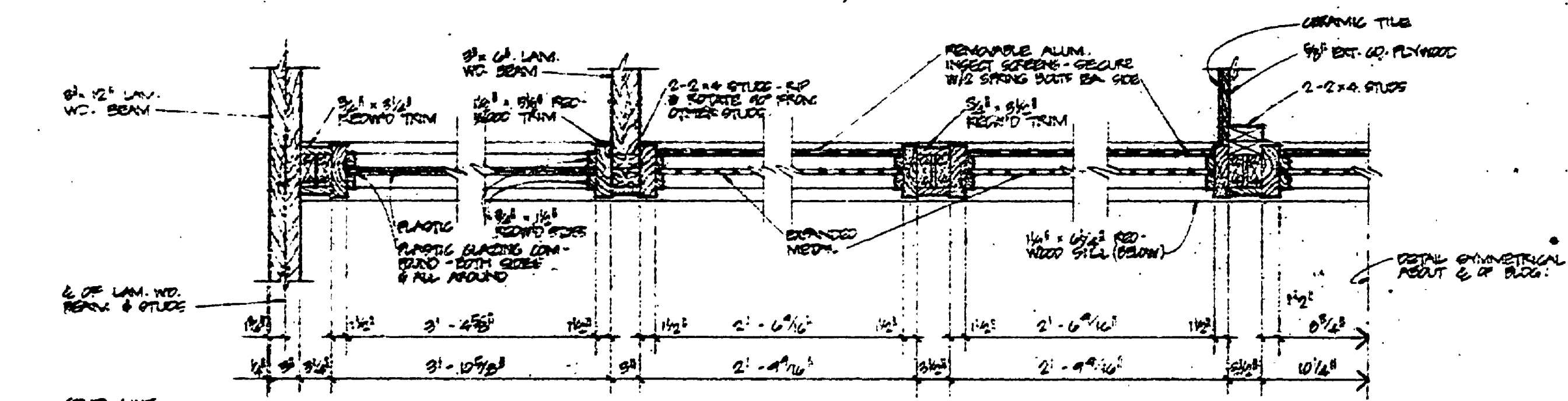
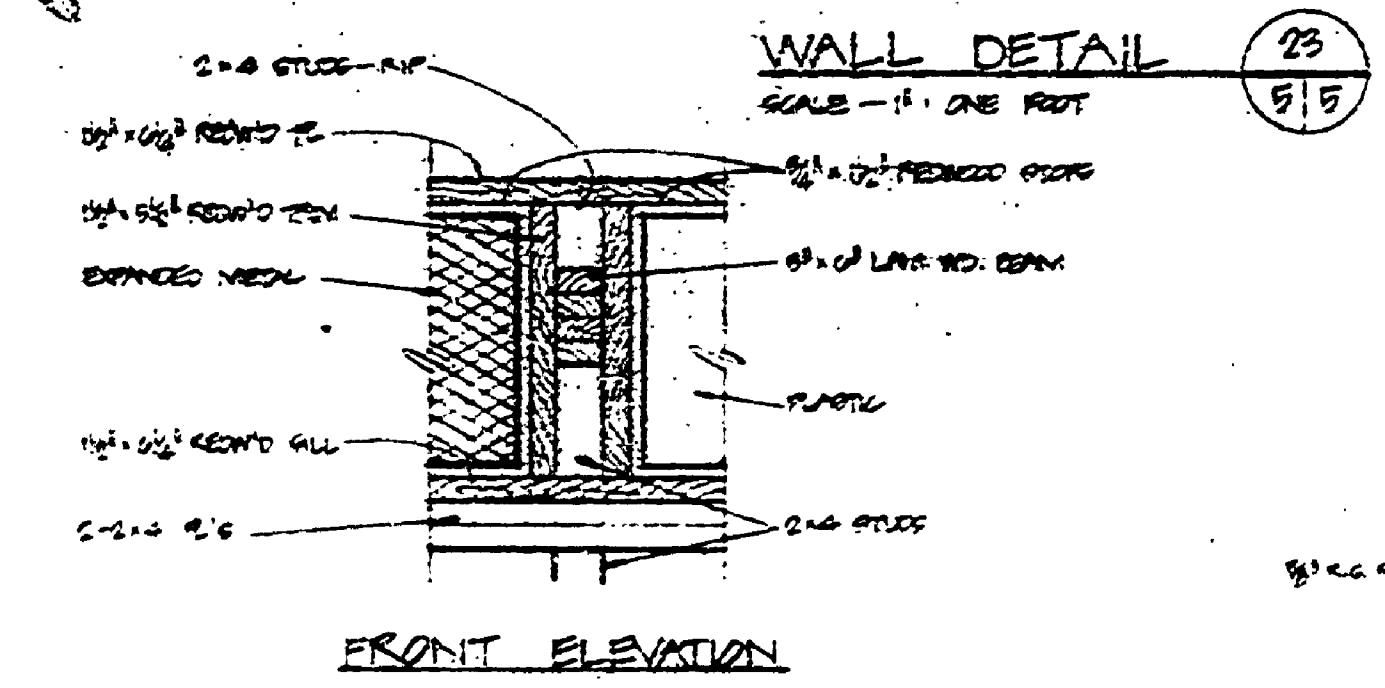


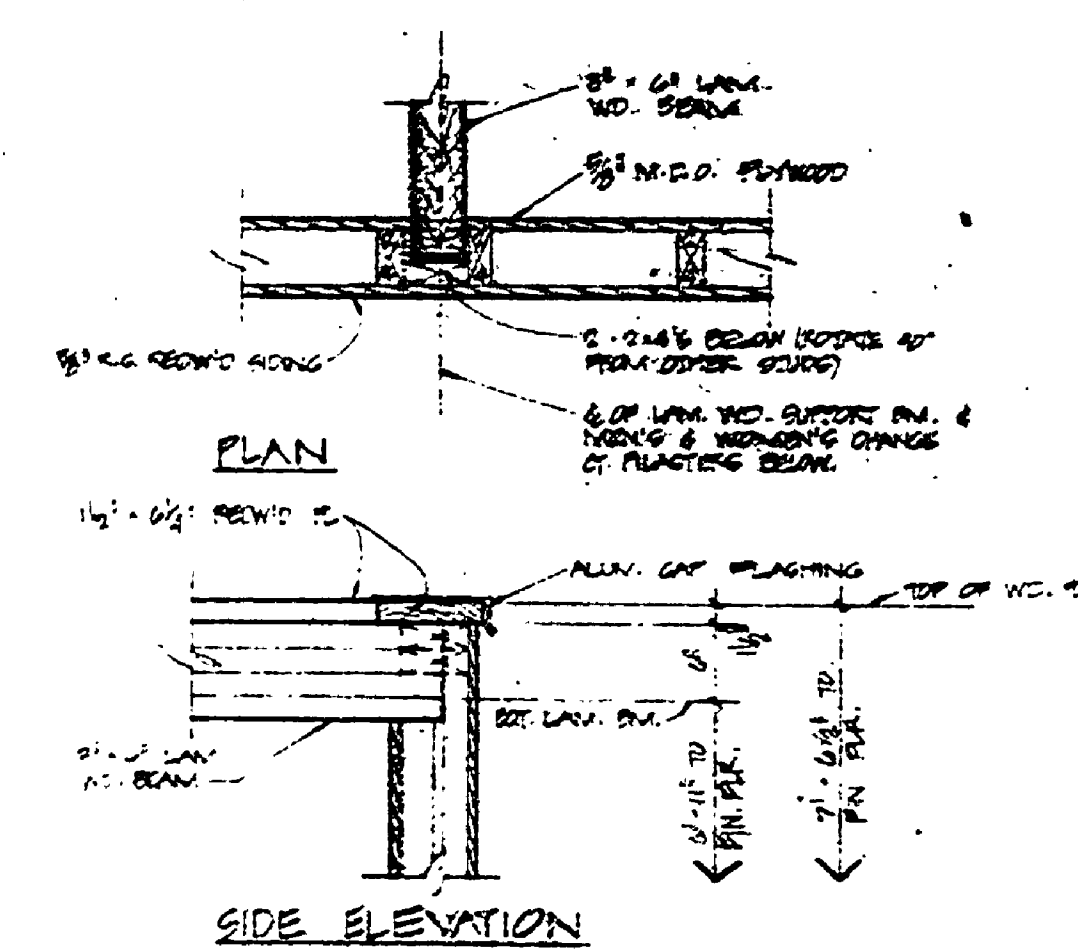
**LAM BEAM DETAILS (CONN F)**  
SCALE - 1/2" = ONE FOOT



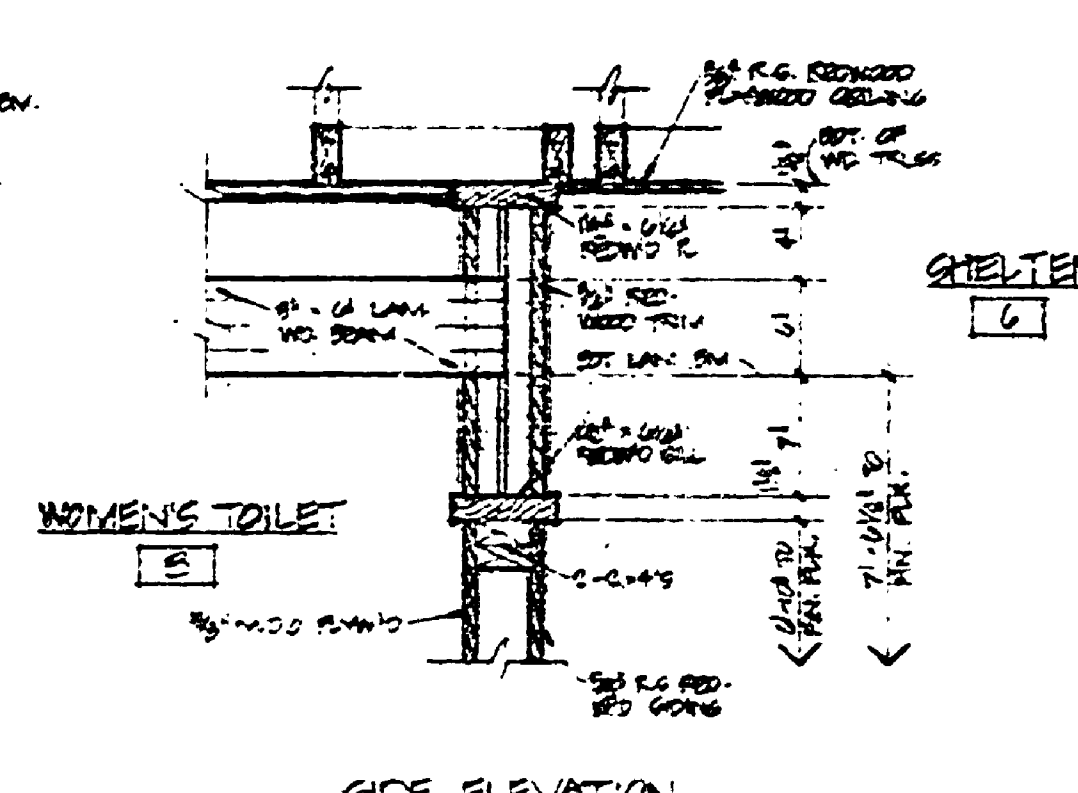
**LAM BEAM CONN - WOMEN'S TOILET**  
SCALE - 1" = ONE FOOT



**FRONT ELEVATION**

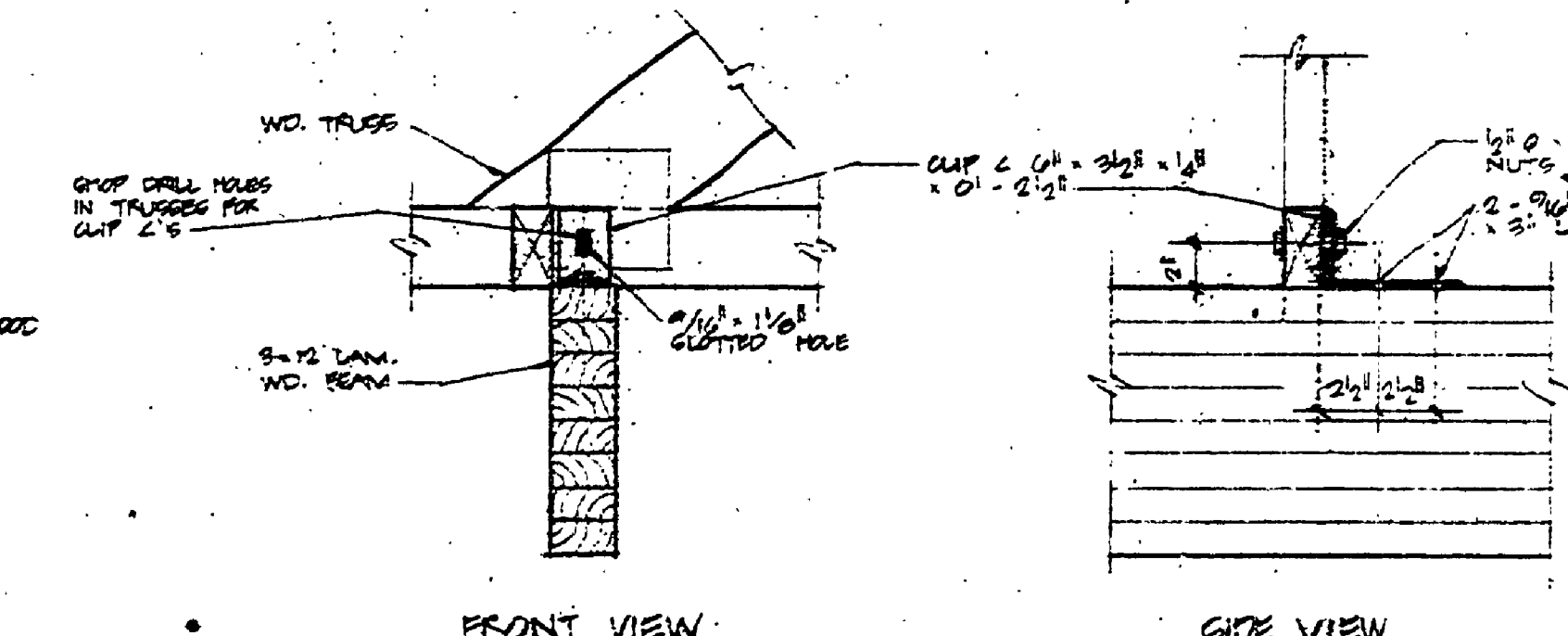


**SIDE ELEVATION**



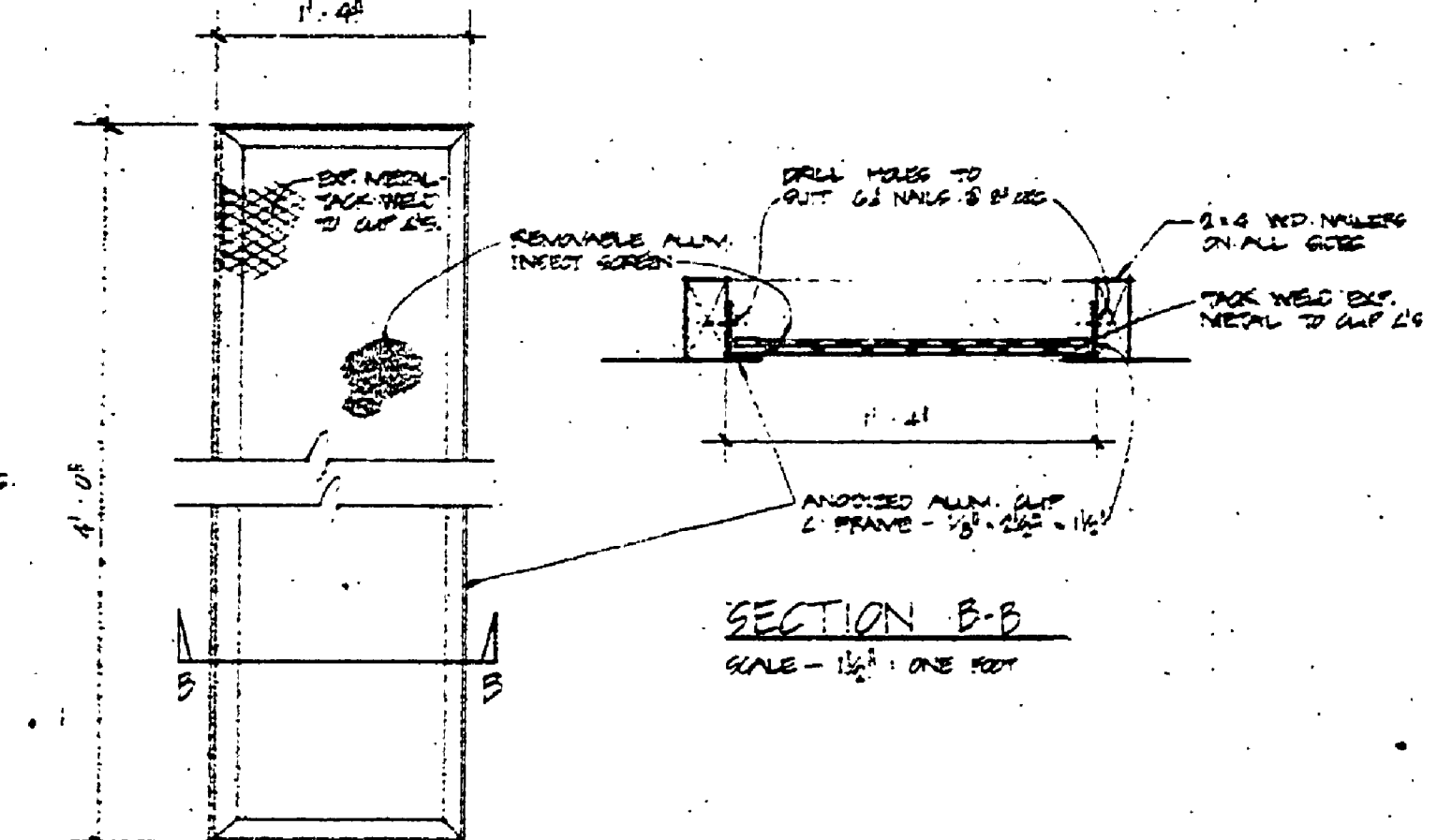
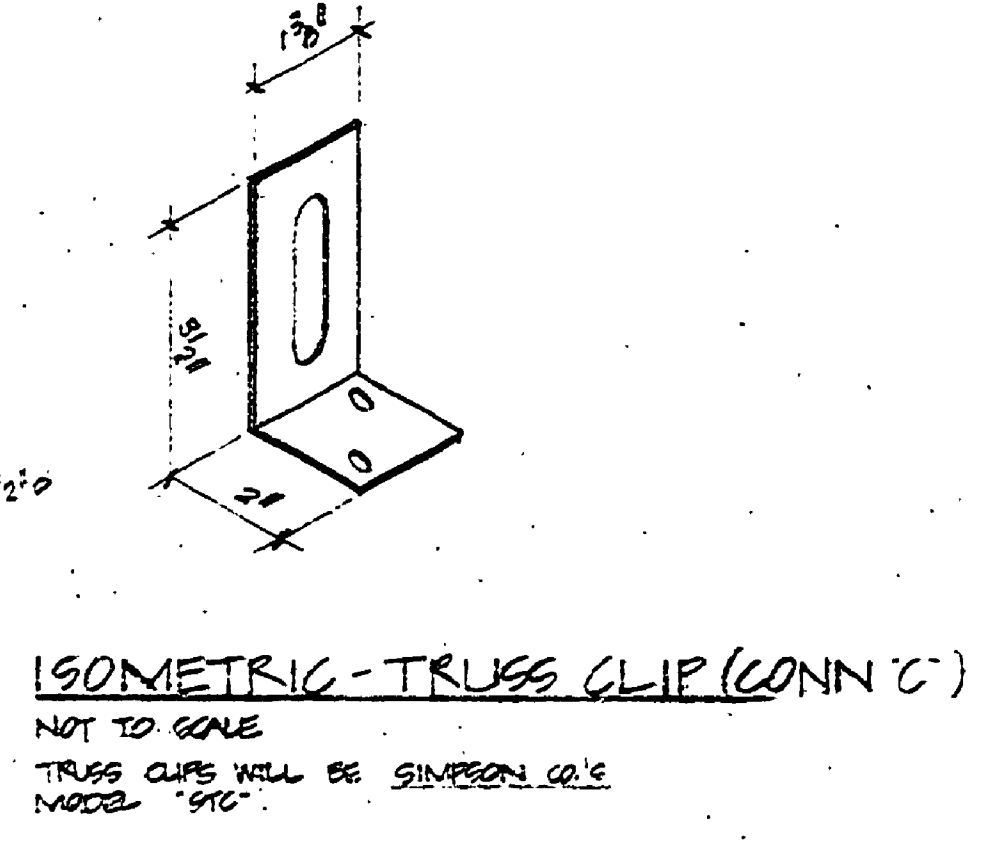
**SIDE ELEVATION**

**LAM BEAM CONN - WOMEN'S TOILET**  
SCALE - 1" = ONE FOOT

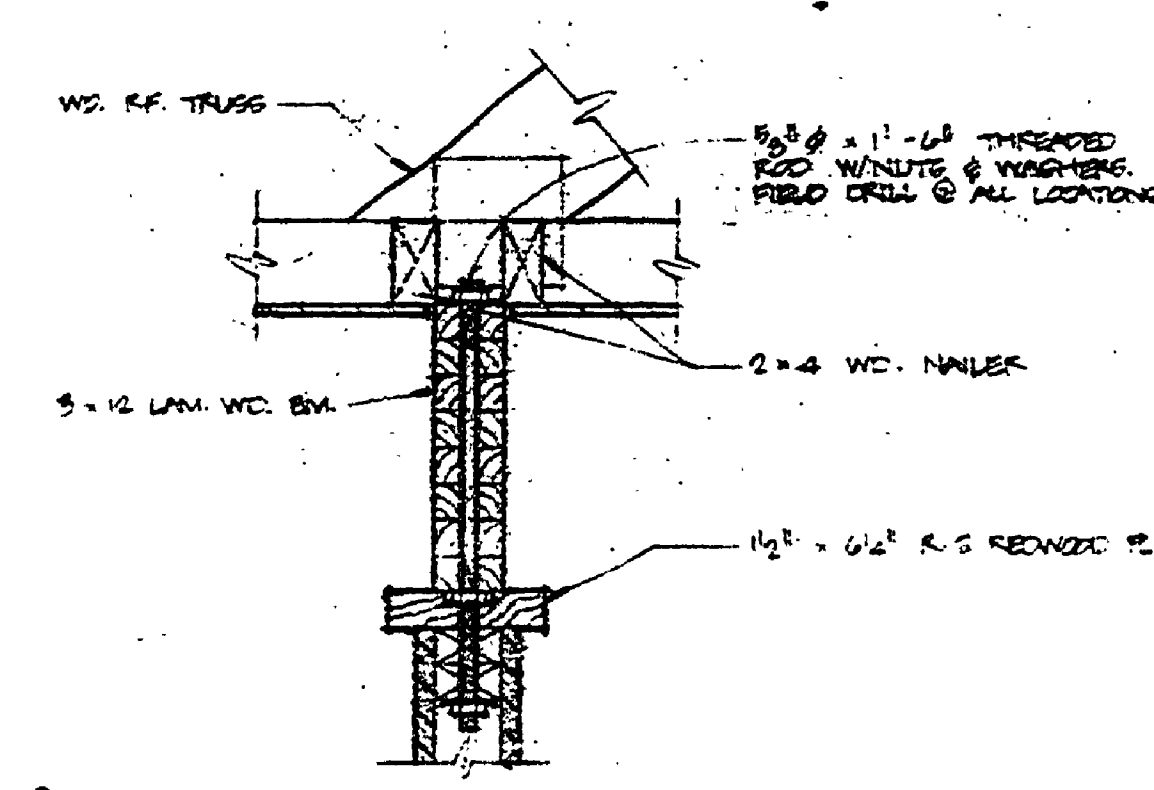


**BEAM CONN. 'B'**  
SCALE - 1/2" = ONE FOOT

NOTE:  
GRADE END TRUSSES & EVERY 5TH TRUSS SHALL HAVE CONN 'B' CLIP L'S - ONE (1) REQUIRED PER END. END OF EACH TRUSS IN BETWEEN SHALL RECEIVE TRUSS CLIP (CONN 'C').



**PLAN - ALUM. FRAME FOR CEILING VENTS**  
SCALE - 1" = ONE FOOT



**BEAM CONN. 'A'**  
SCALE - 1/2" = ONE FOOT  
SEE PLAN FOR LOCATION OF CONN. 'A'

**LAM BEAM CONN - MEN'S & WOMEN'S CHANGE CT.**  
SCALE - 1" = ONE FOOT

SURVEYED BY	DRAWN BY G. N.	4-75	NO. DATE	BY	REVISIONS	NO. DATE	BY	REVISIONS	MICHIGAN DEPARTMENT OF NATURAL RESOURCES	SECTIONS & WALL DETAILS SHEET TITLE	N. HIGGINS LAKE STATE PARK AREA OR PARK PROJECT	PROJECT NO. 24-1977	SHEET 5 OF 6	PLAN NO. A-110
DESIGNED BY G.F.C., I.M.	CHECKED BY										TOILET & CHANGE COURT BLDG.			