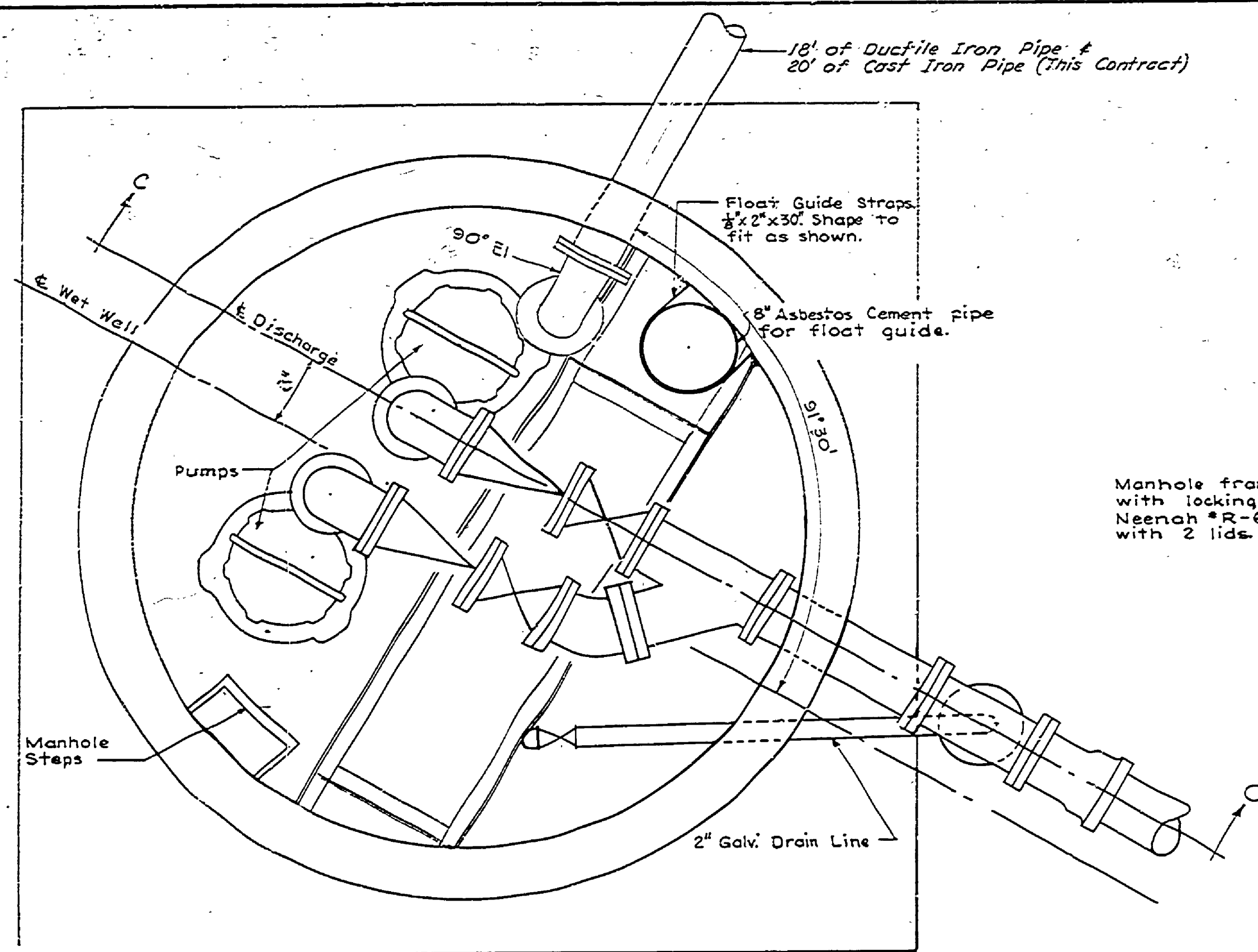


REVISIONS	NO.	DATE	BY
1	1		
2	2		
3	3		
4	4		
5	5		
6	6		

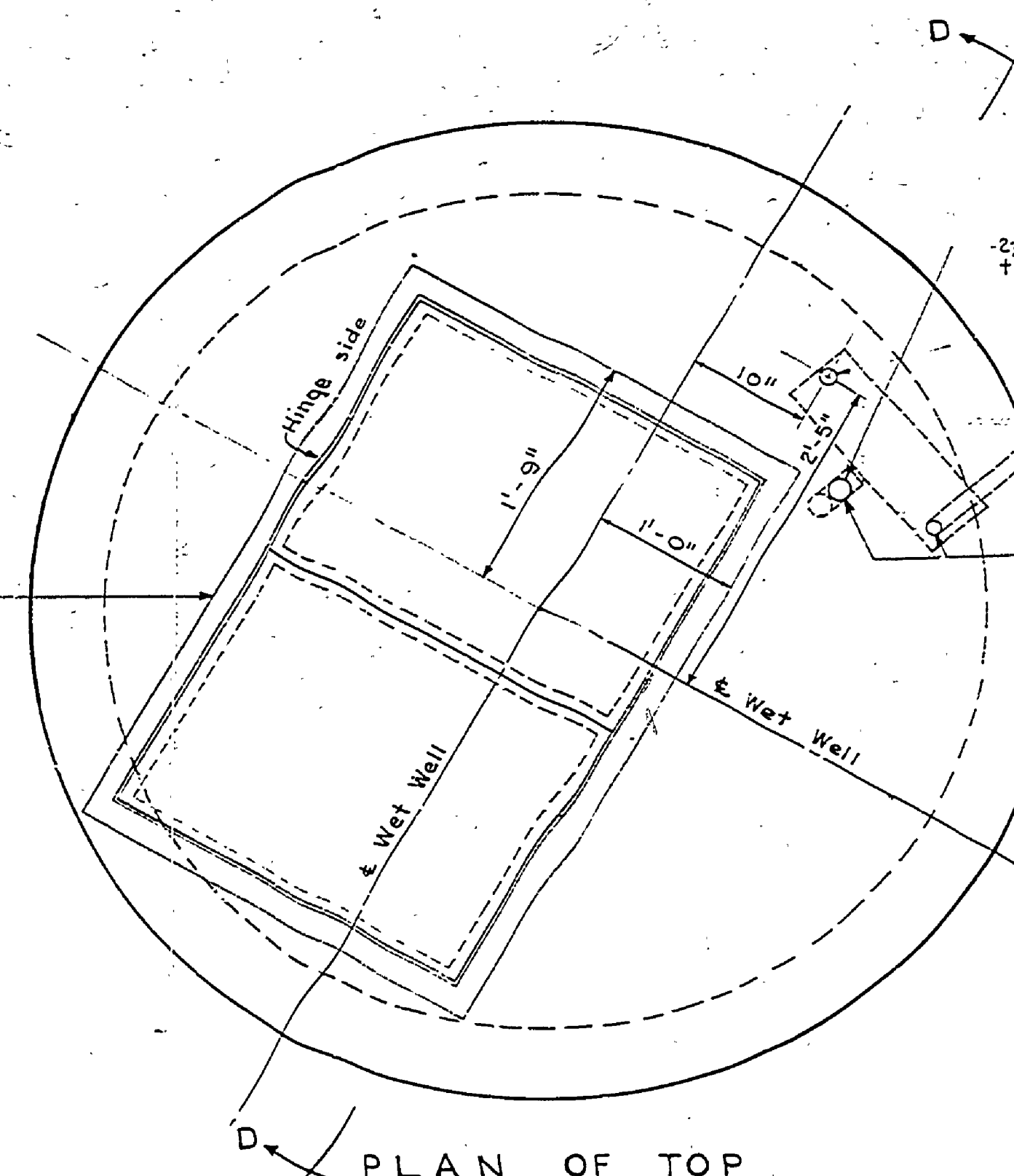
APPROVED BY	DATE

REVIEWED BY SECTIONS	DATE
ARCHITECTURAL	
ENGINEERING	
LANDSCAPE	

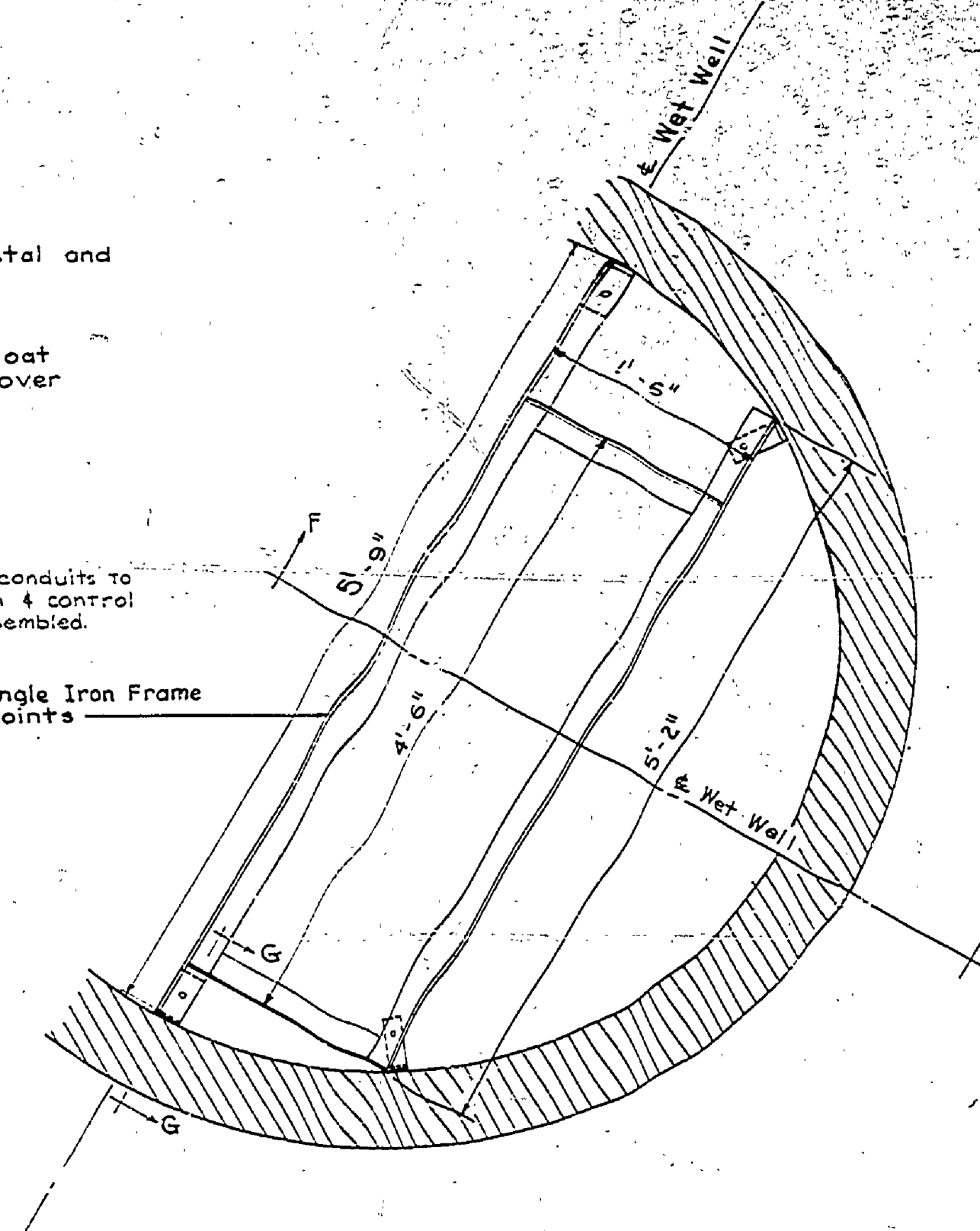
DRAWN BY	COTE
TRACED BY	
CHECKED BY	
DATE	



PLAN WITH TOP REMOVED

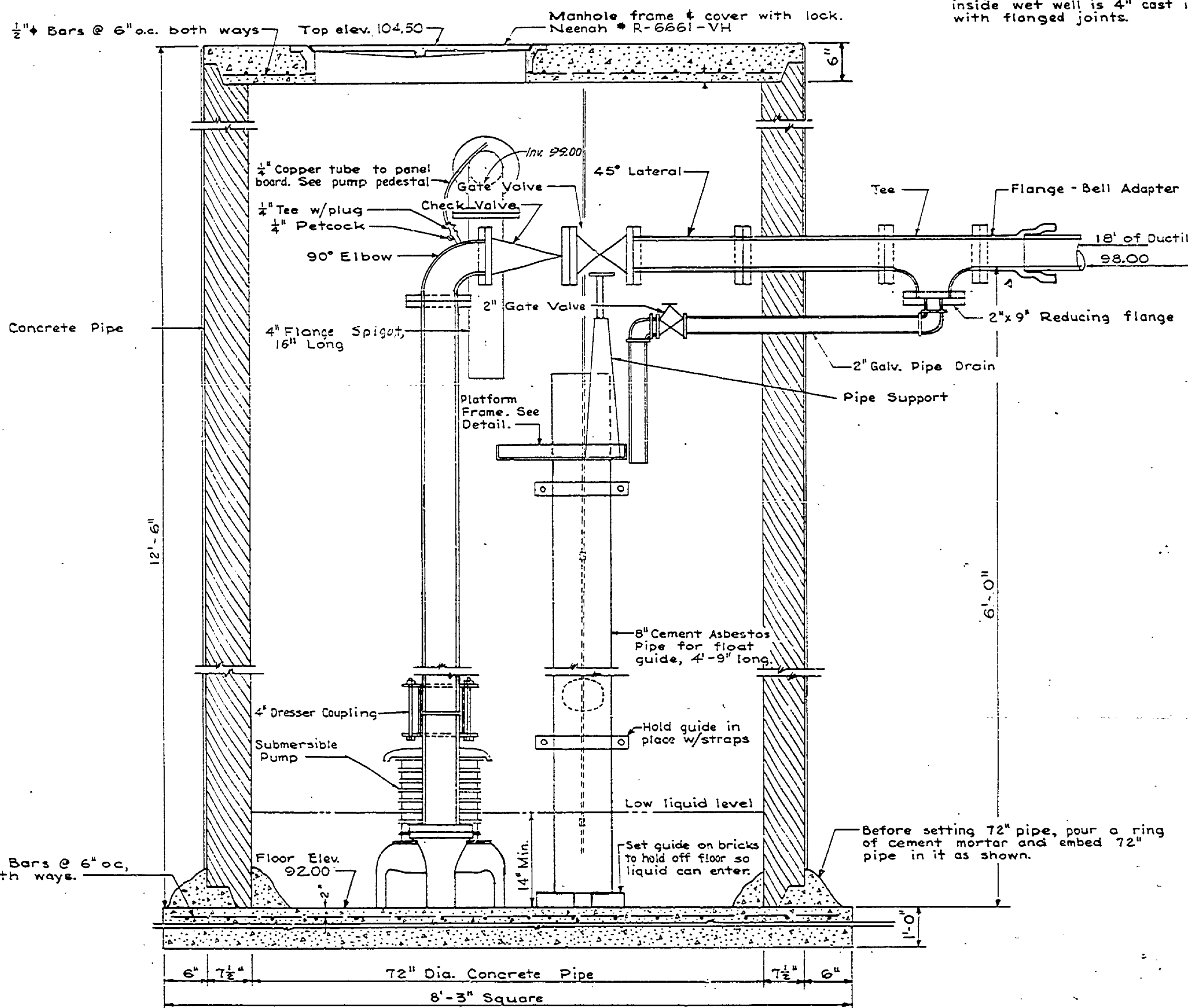


PLAN OF TOP

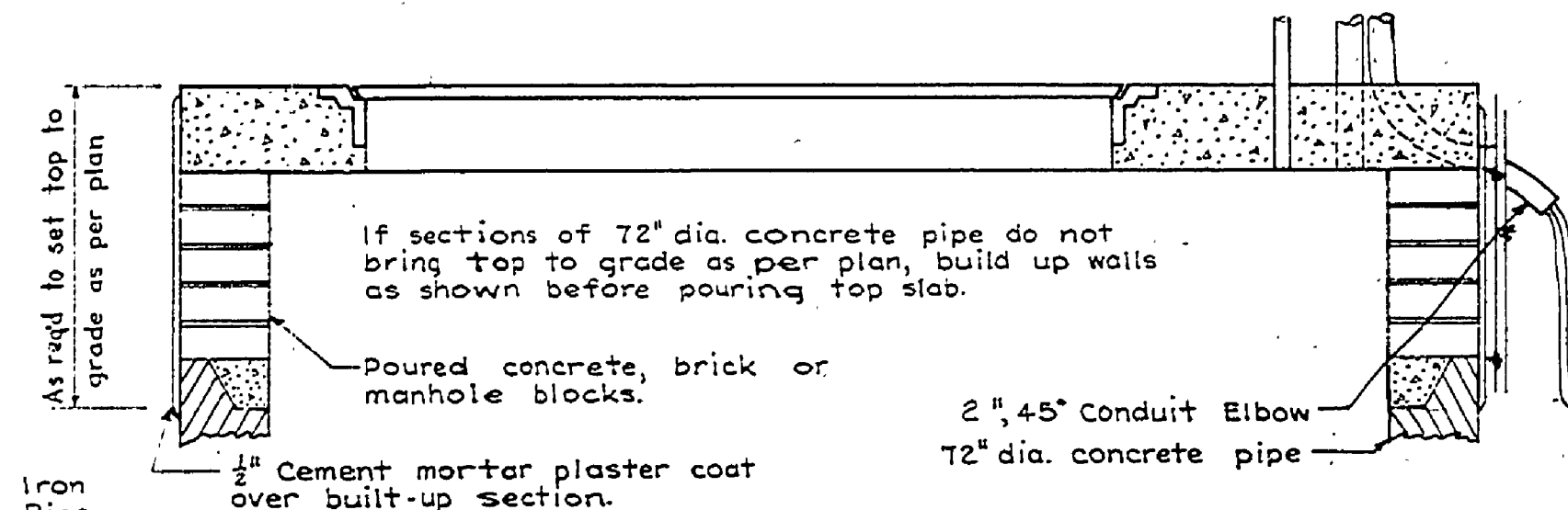


PLAN

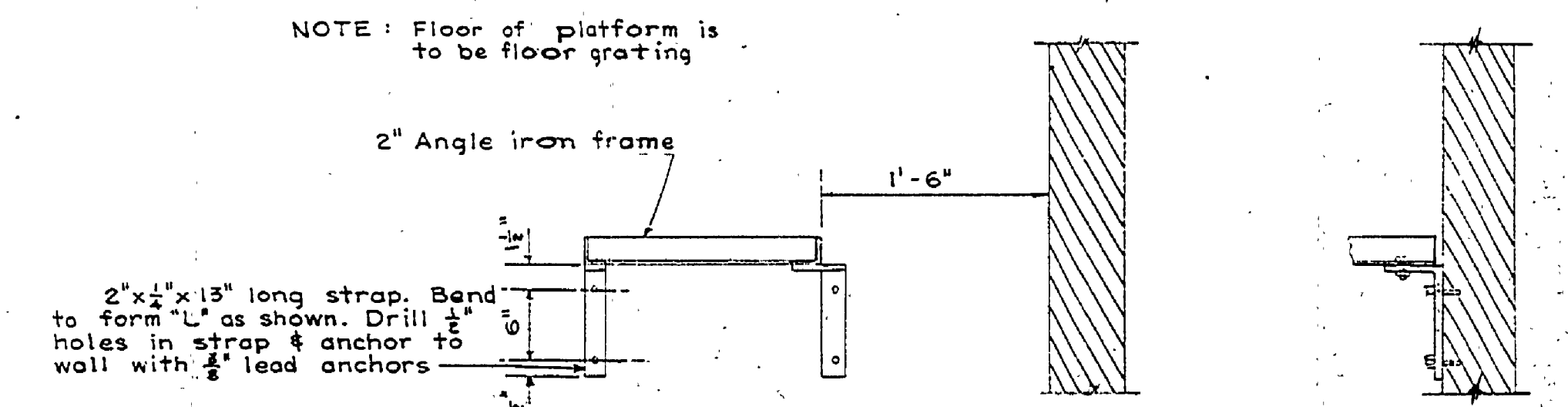
NOTE: All pipe (unless otherwise noted) inside wet well is 4\"/>



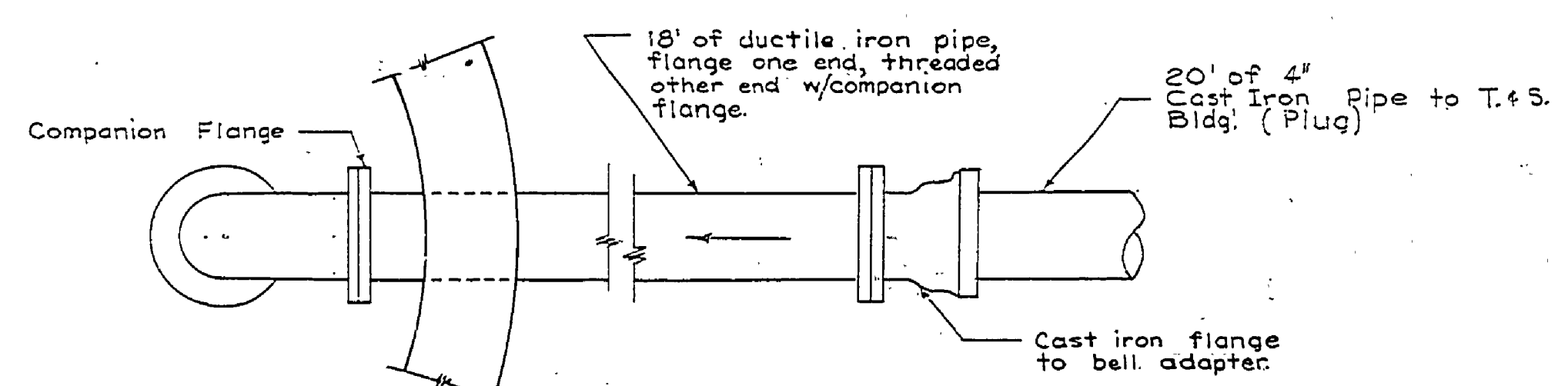
SECTION C-C WITH DRAIN IN SECTION



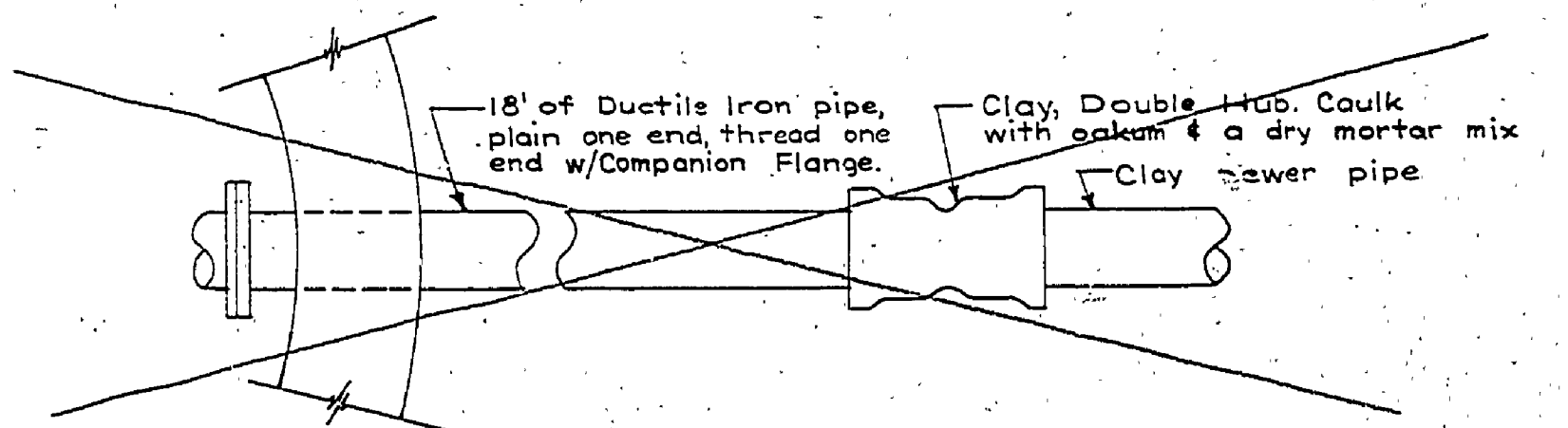
SECTION D-D



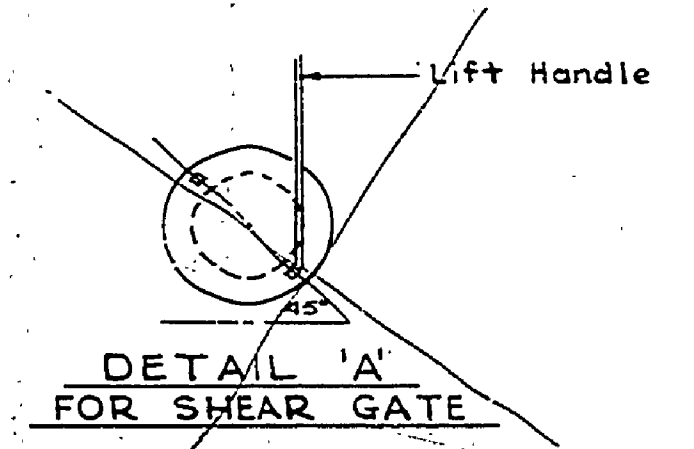
PLATFORM DETAILS



DETAIL OF CONNECTION TO TOILET & SHOWER BLDG. (Not to scale)



DETAIL OF CONNECTION TO CLAY SEWER PIPE



DETAIL 'A' FOR SHEAR GATE

WET WELL AND PUMP STATION

MICHIGAN DEPARTMENT OF CONSERVATION

HIGGINS LAKE STATE PARK NORTH SHORE CAMPGROUND WET WELL

SHEET NO. 8 OF 13 PLAN NO. E-102