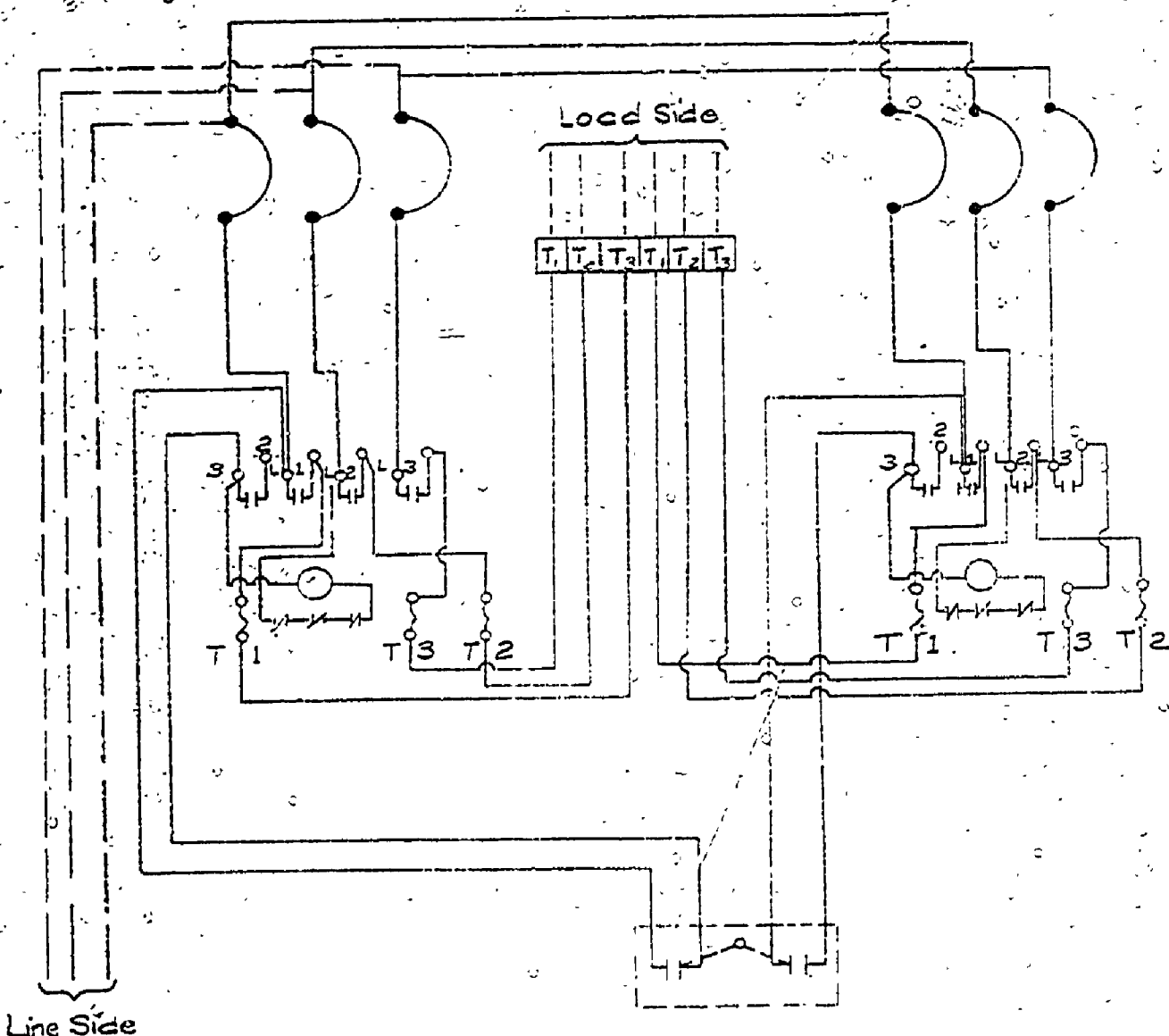
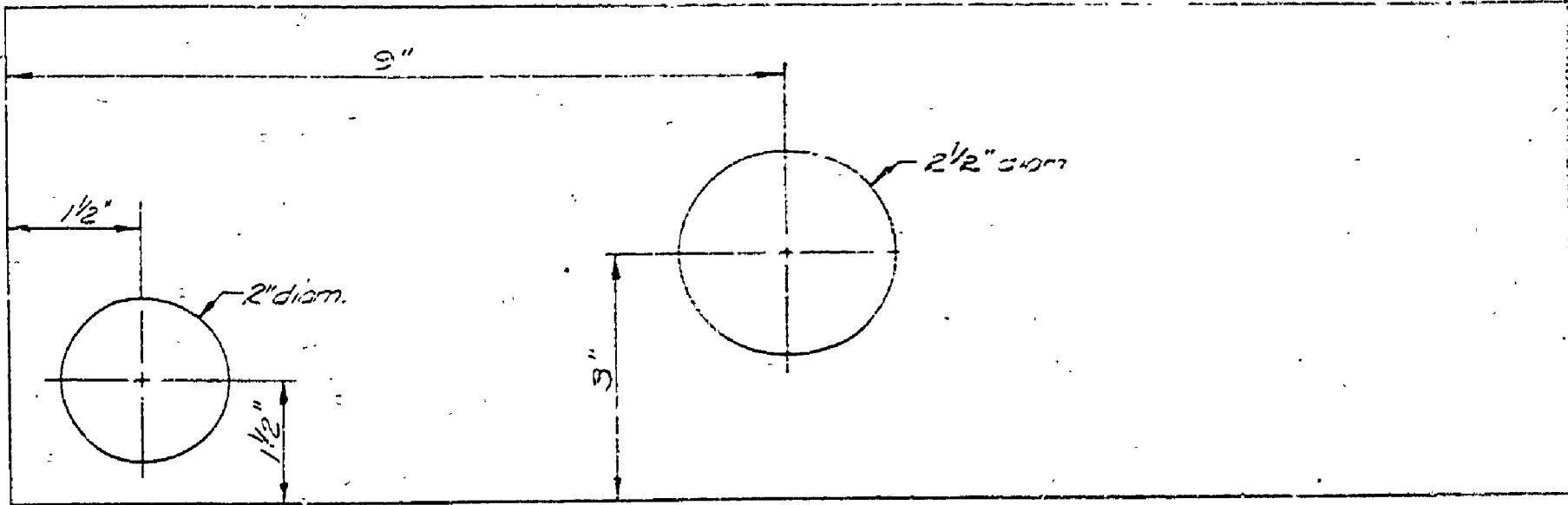


CONTROL CABINET WITH COVER REMOVED



WIRING DIAGRAM Not to Scale

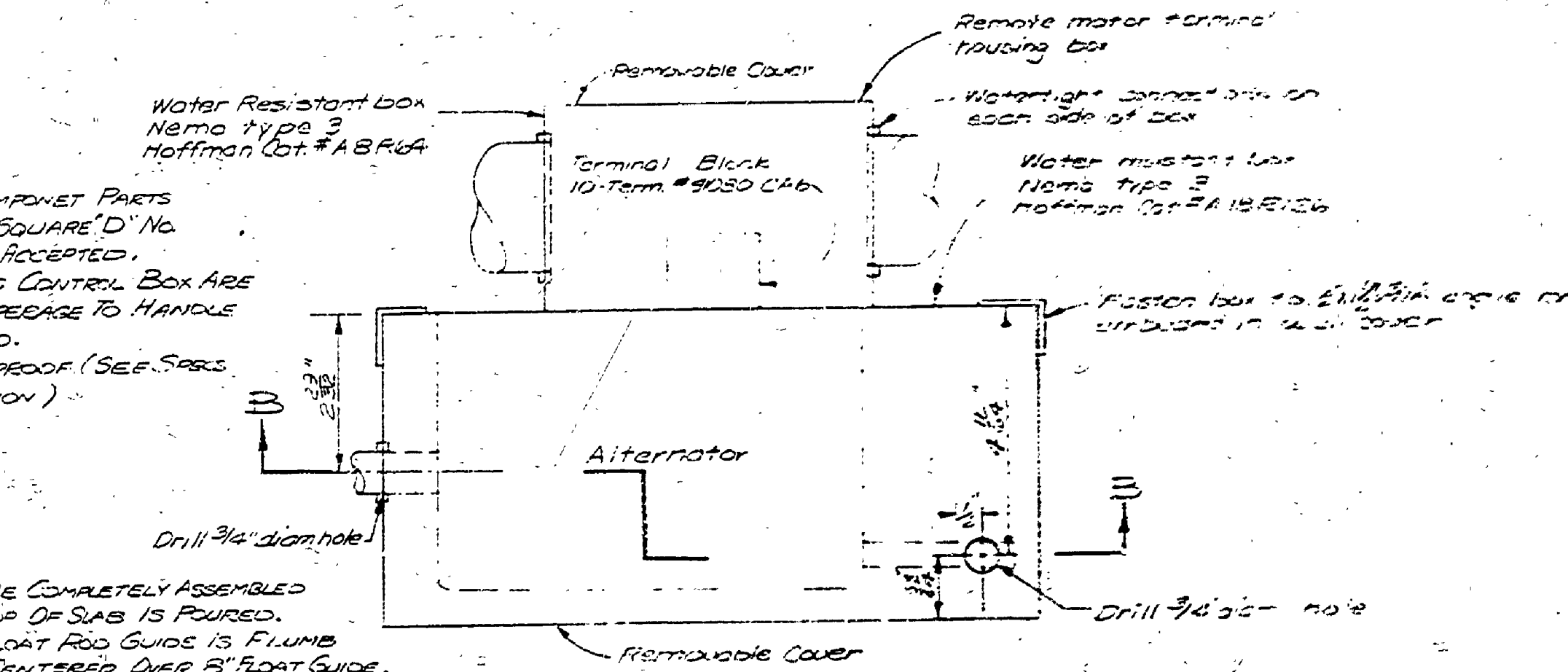
LEGEND
 - - - Factory Wired
 - - - Wired on Job



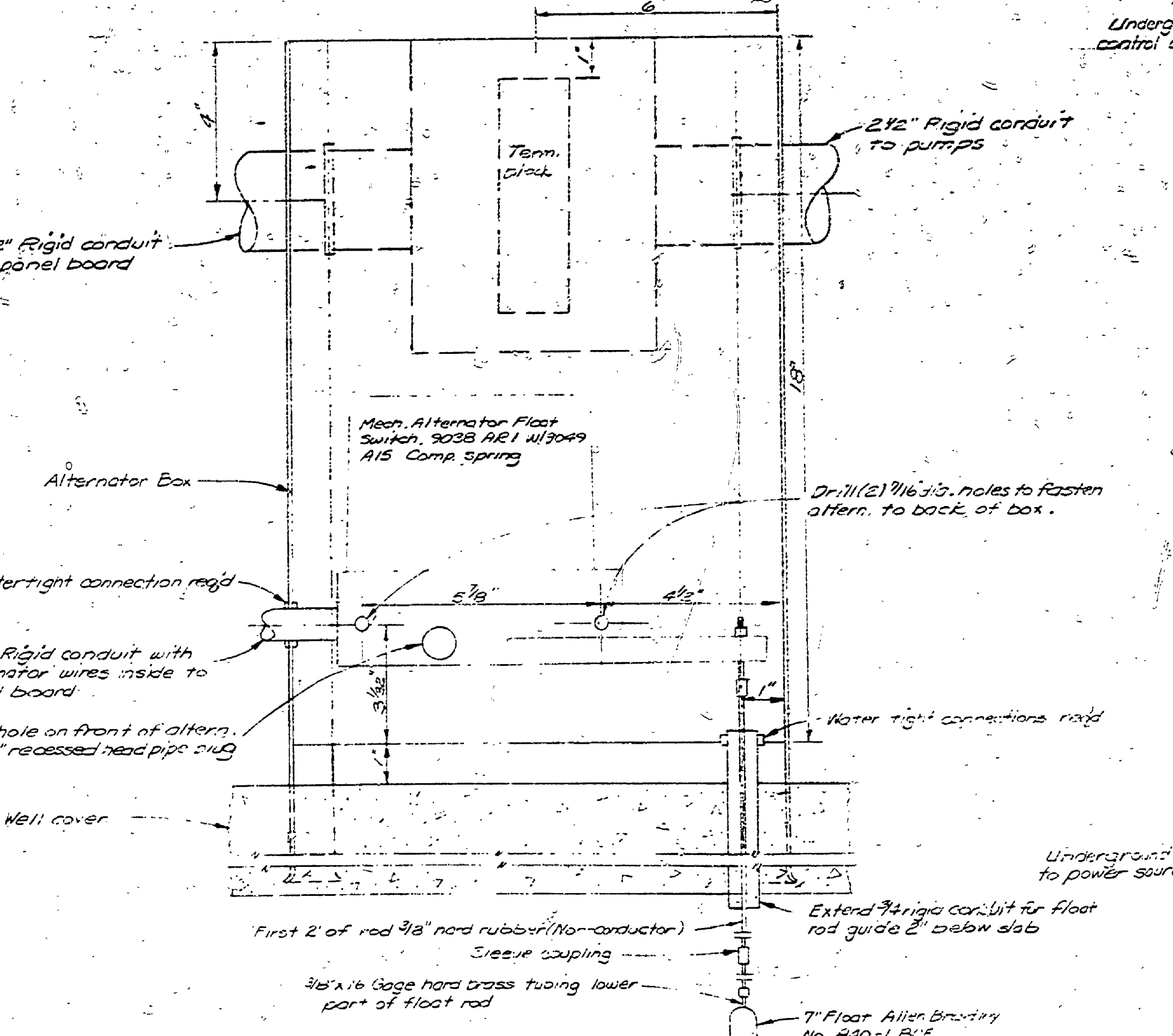
BOTTOM OF CONTROL CABINET No. 90018

NOTES
 ALL NUMBERS SHOWN ON COMPONENT PARTS IN CONTROL CABINET ARE SQUARE'D NO. SUBSTITUTES WILL NOT BE ACCEPTED. COMPONENT PARTS IN THIS CONTROL BOX ARE TO BE OF SUFFICIENT AMPERAGE TO HANDLE PUMP MOTORS FURNISHED. CABINET IS TO BE WEATHERPROOF (SEE SPEC. FOR COMPLETE DESCRIPTION)

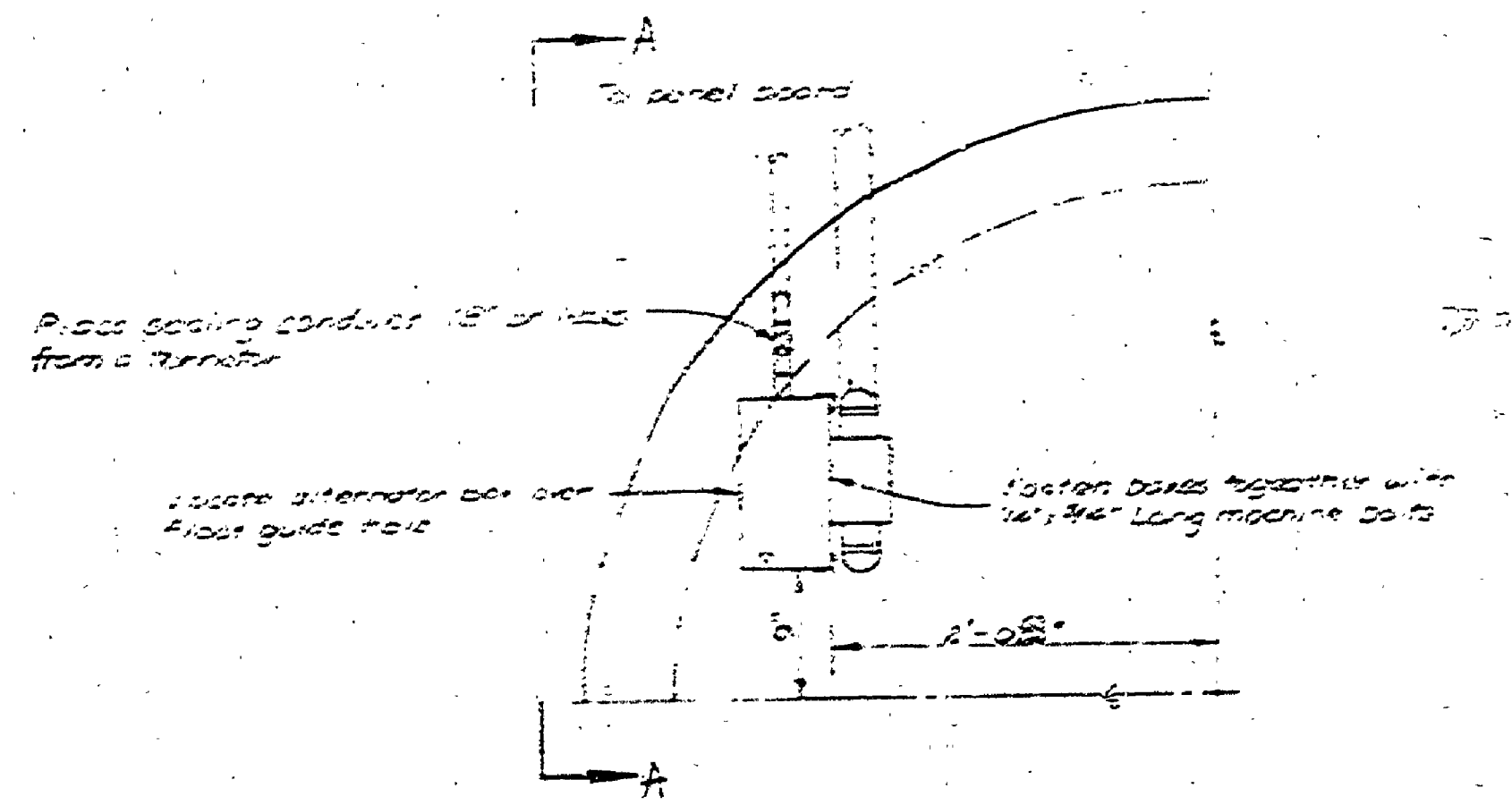
NOTES
 CONTROL PEDESTAL SHOULD BE COMPLETELY ASSEMBLED AND SET IN FORM BEFORE 75% OF SLAB IS POURED. BE SURE 3/4" CONDUIT FOR FLOAT ROD GUIDE IS FLUME AND STRAIGHT AND EXACTLY CENTERED OVER 8" FLOAT GUIDE.



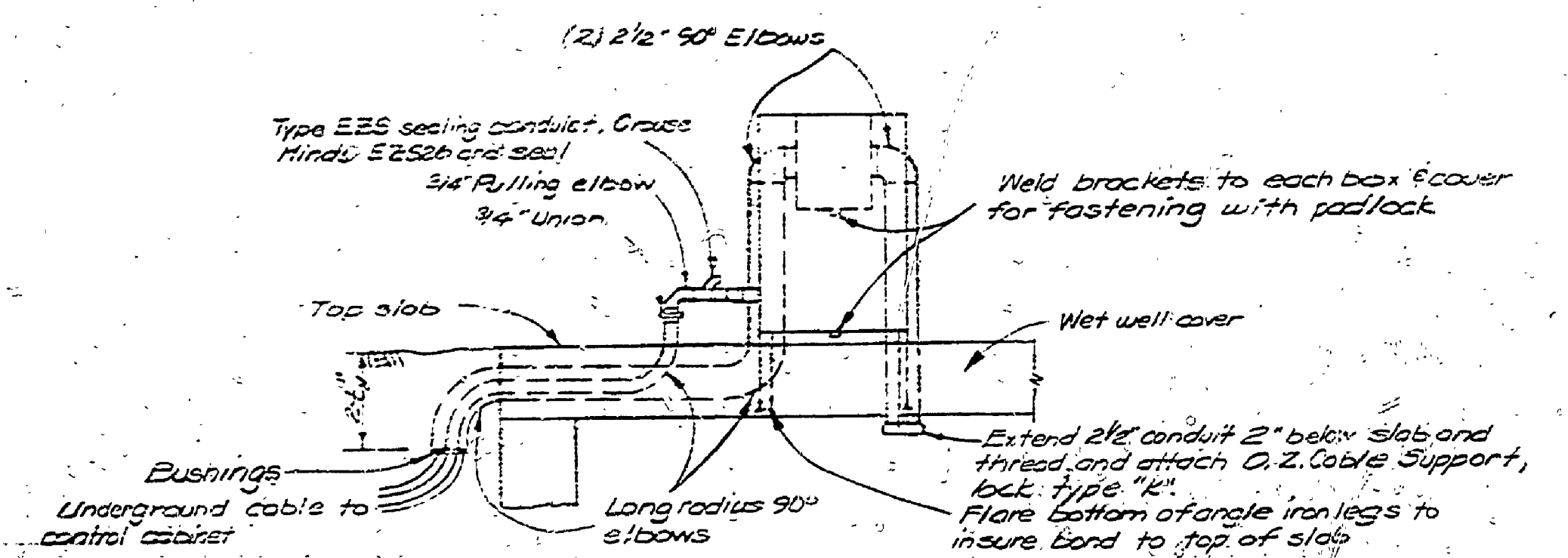
TOP 3/8" = 1"



ALTERNATOR & REMOTE MOTOR TERMINAL HOUSING BOX SECTION B-B 3/8" = 1"

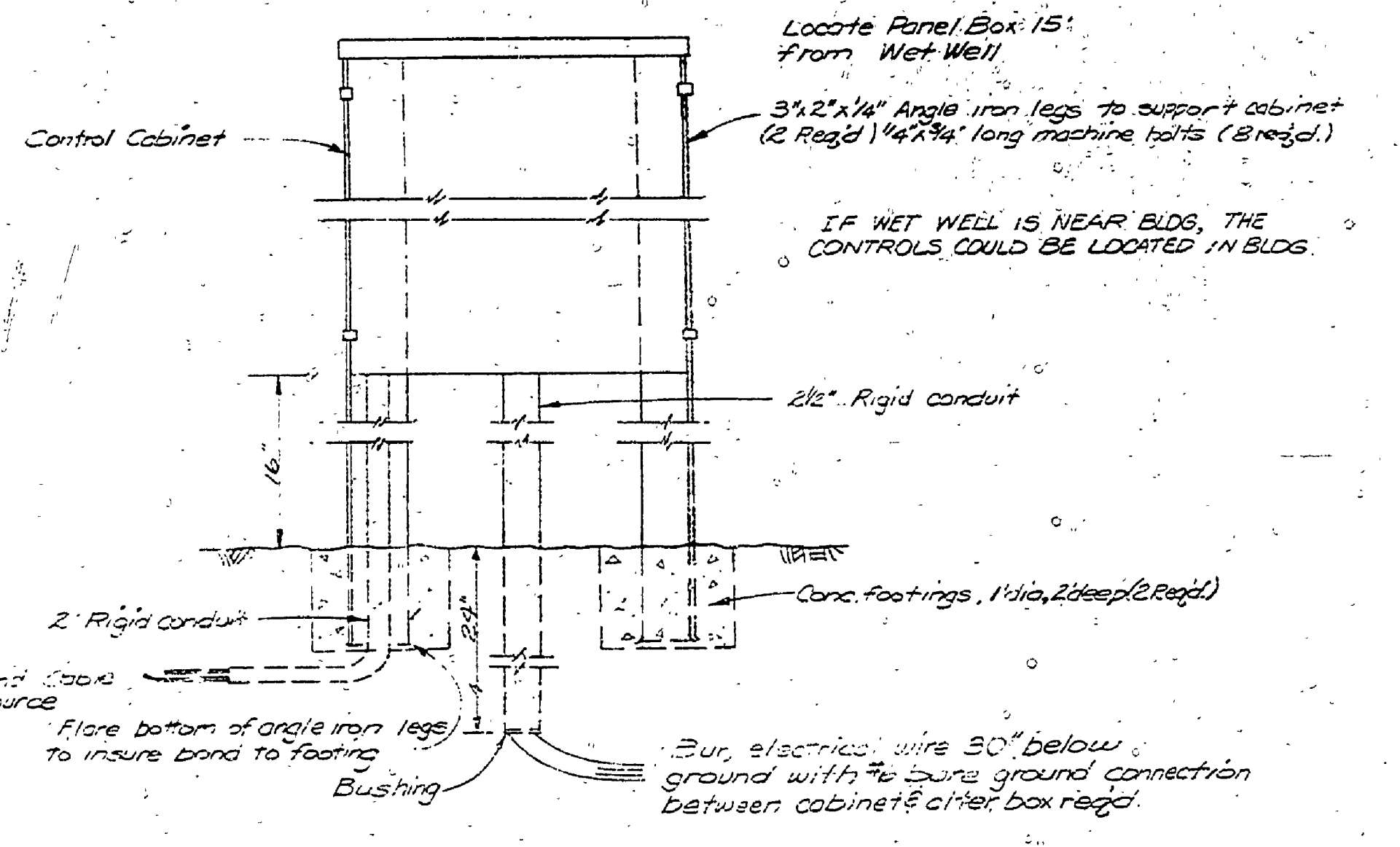


ALTERNATOR REMOTE MOTOR TERMINAL HOUSING BOX



SECTION A-A

ALL ELECTRICAL CONNECTION AND MATERIAL TO CONFORM TO THE NATIONAL ELECTRICAL CODE



CONTROL CABINET PEDESTAL INSTALLATION DETAILS

SURVEYED BY		DRAWN BY C.E. Masse		NO. DATE BY REVISIONS		NO. DATE BY REVISIONS		MICHIGAN DEPARTMENT OF NATURAL RESOURCES		220 VOLT 3 PHASE PUMP CONTROL PANEL SHEET TITLE		NORTH HIGGINS LAKE STATE PARK AREA OR PARK PROJECT EAST CAMPGROUND		PROJECT SHEET 10 OF 10 PLAN NO. E-104	
DESIGNED BY		CHECKED BY		NO. DATE BY REVISIONS		NO. DATE BY REVISIONS									
				1. 9-69 UNWY Extension Drawing Revision		3.									
				2. 6-70 RHM ADDED CONTROL CABINET		4.									