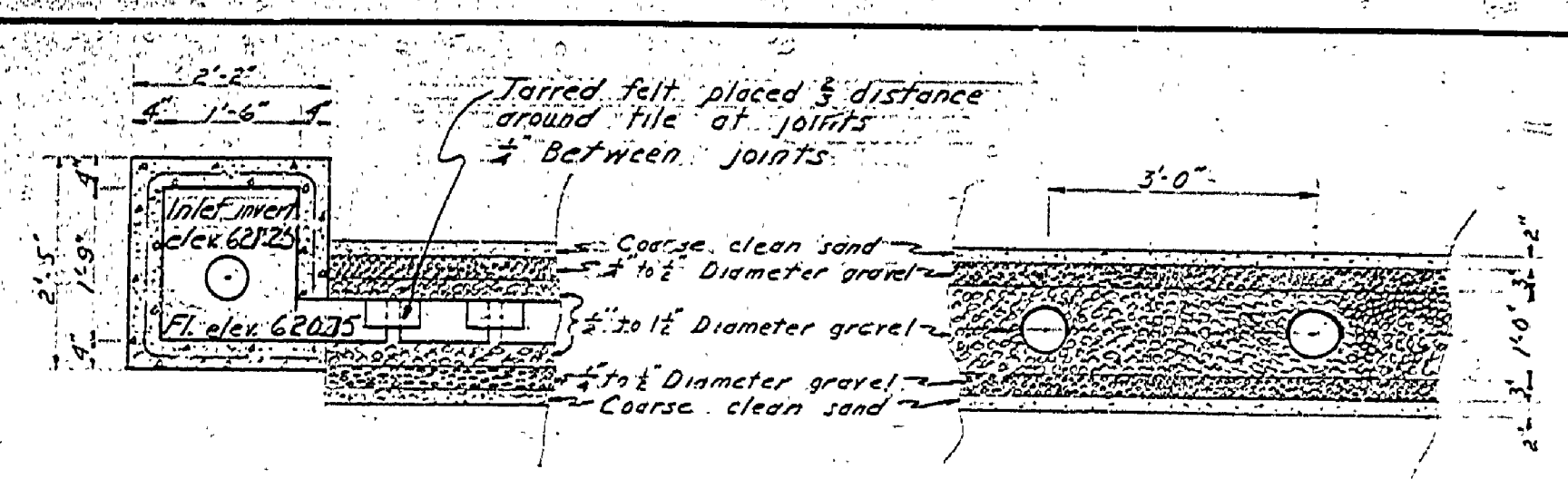


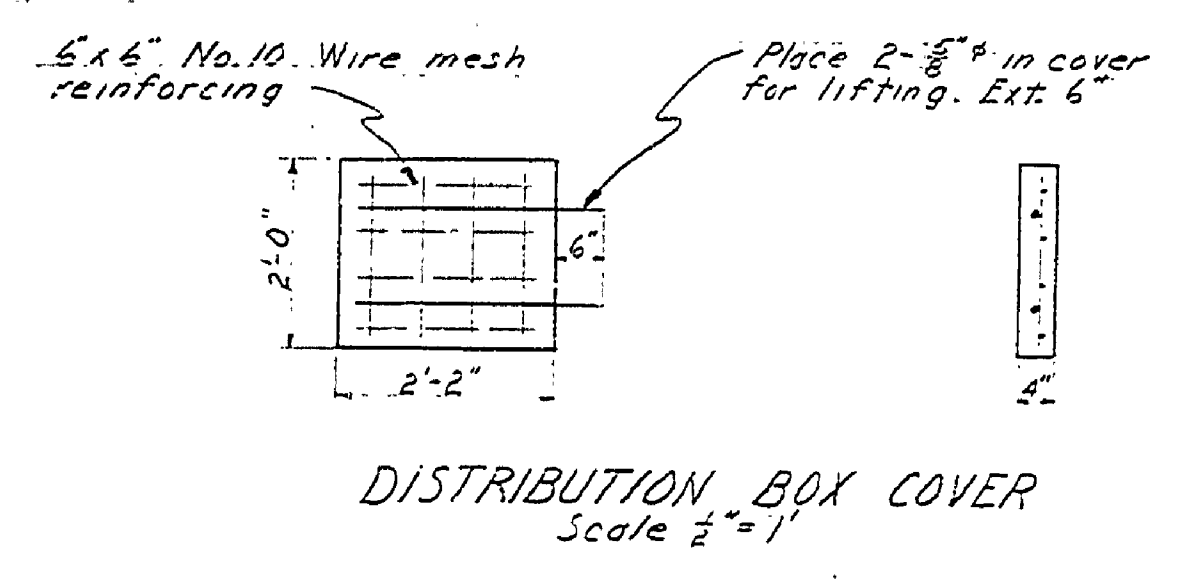
NO.	DATE	BY	REVISIONS	
			NO.	DATE
1				
2				
3				

APPROVED BY	DATE	REVIEWED BY SECTIONS
<i>[Signature]</i>	1-2-57	J.T.R.
ARCHITECTURAL	3-10-57	H.C.M.
ENGINEERING	1-2-57	J.T.R.
LANDSCAPE		

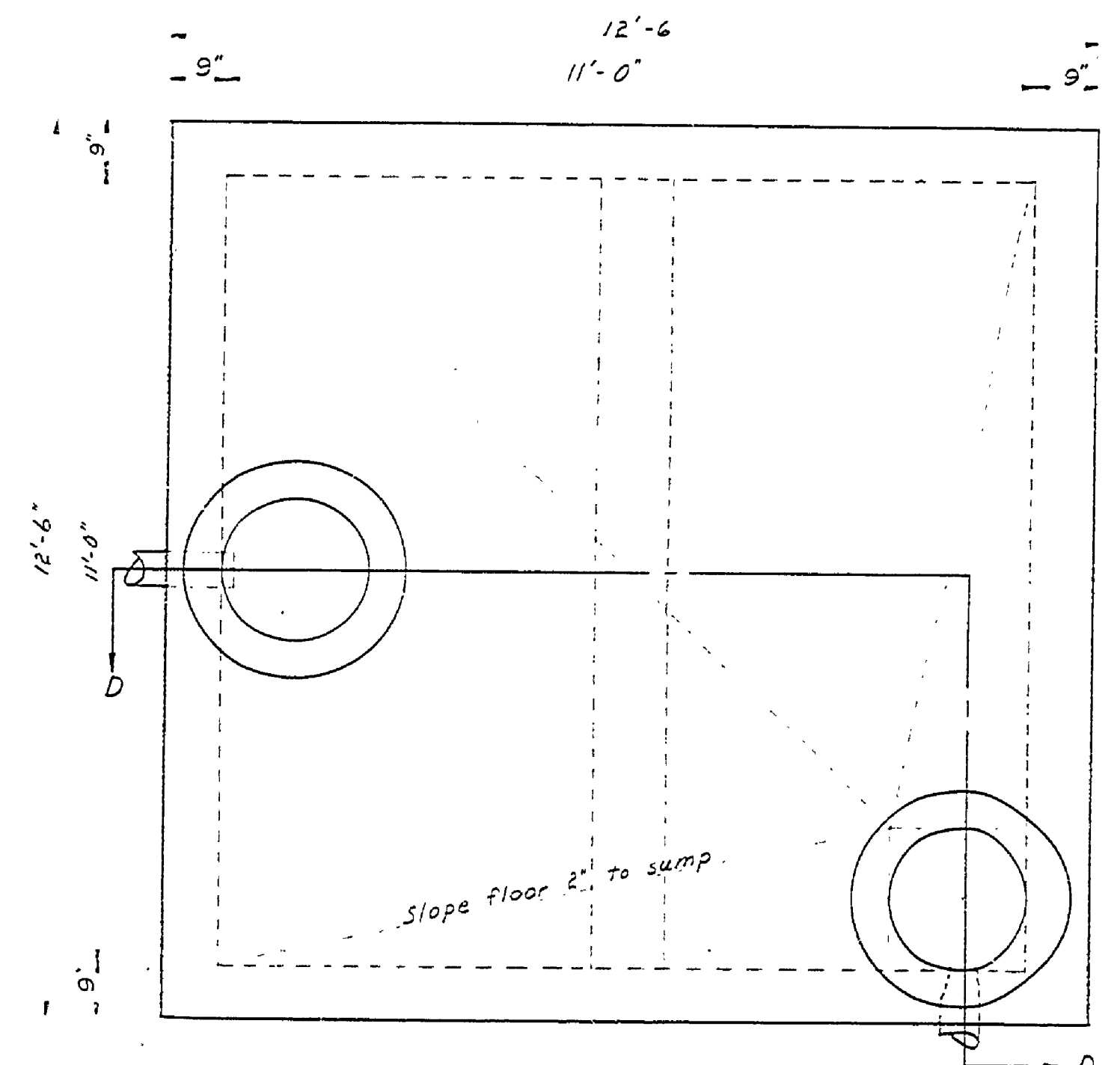
DRAWN BY	CHECKED BY	DATE
B.H.S.	E.J.P.	28 Dec. 1957



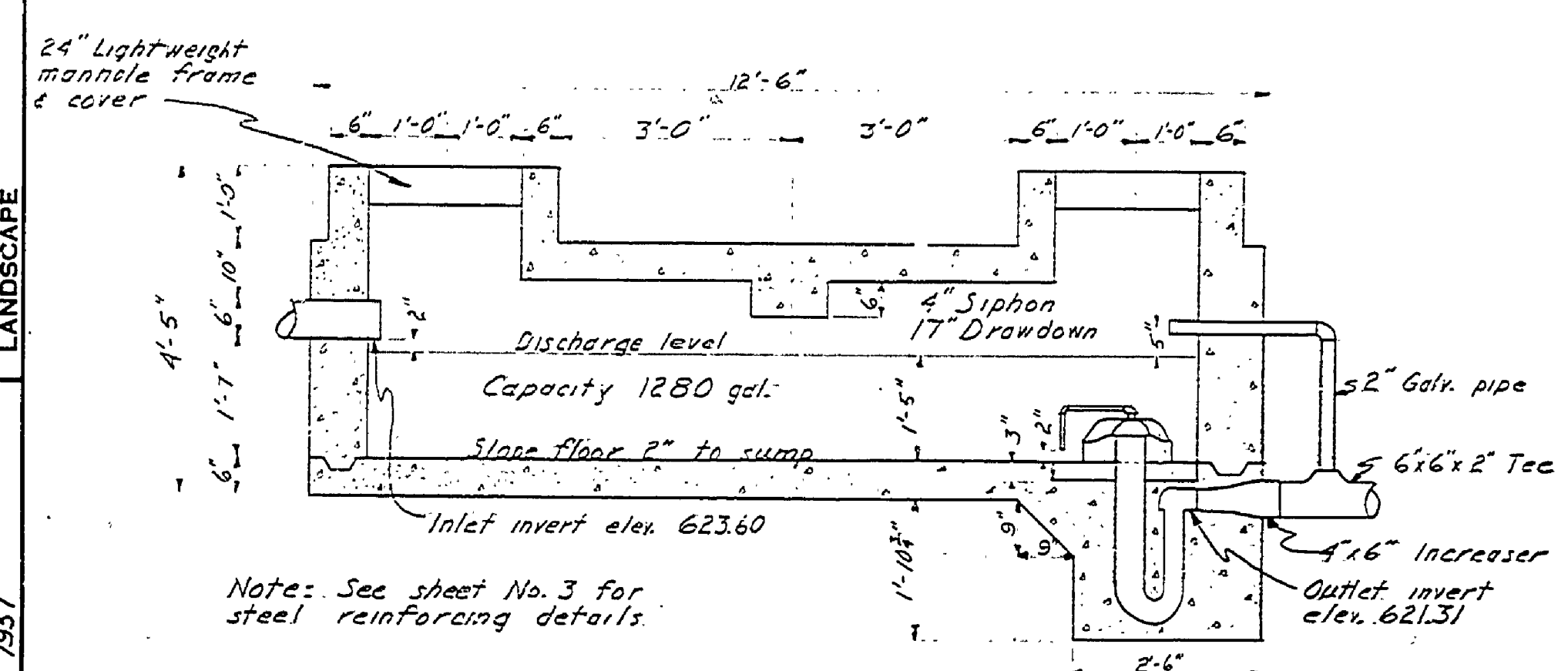
SECTION A-A SECTION B-B
ELEVATION OF DISPOSAL FIELD
Scale 1/2"=1'



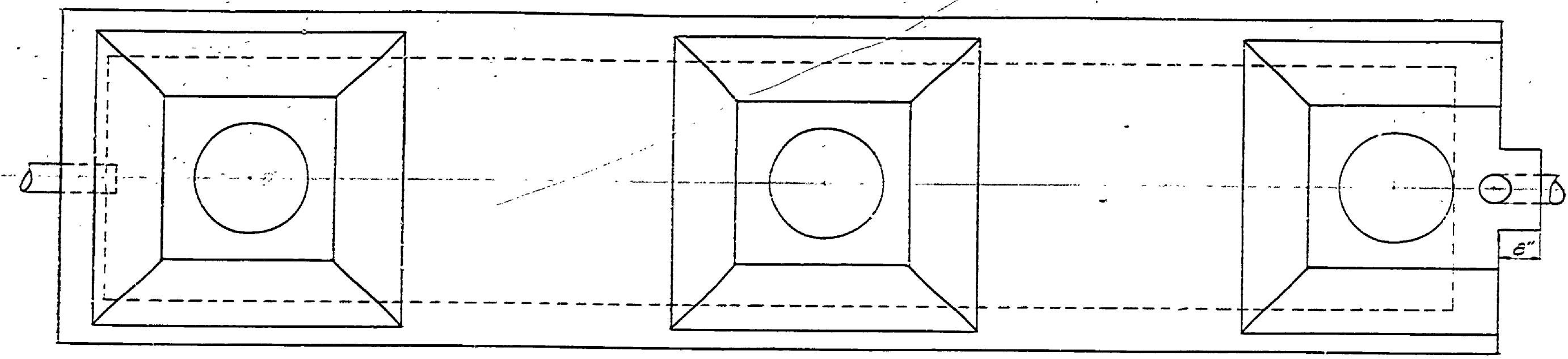
DISTRIBUTION BOX COVER
Scale 1/2"=1'



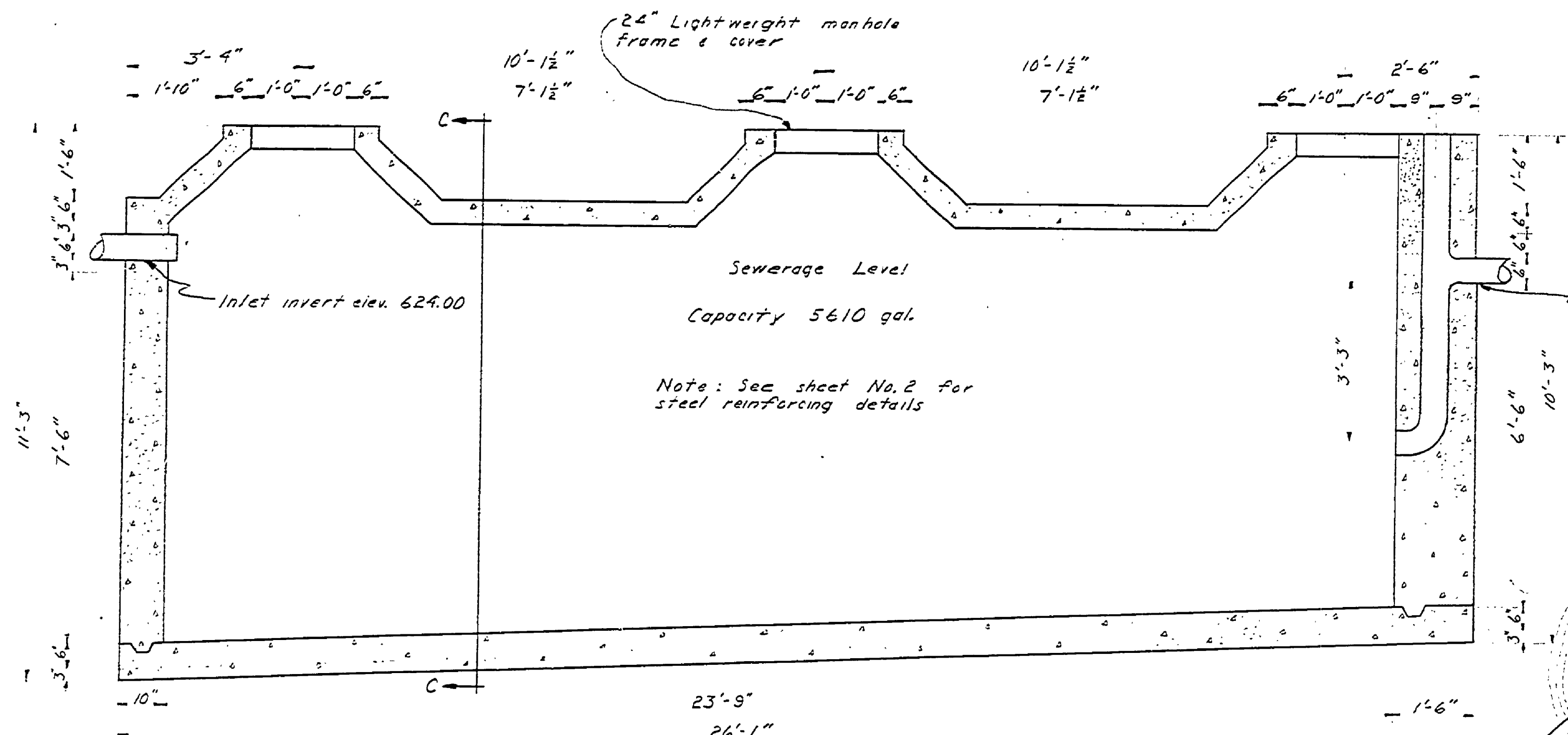
PLAN



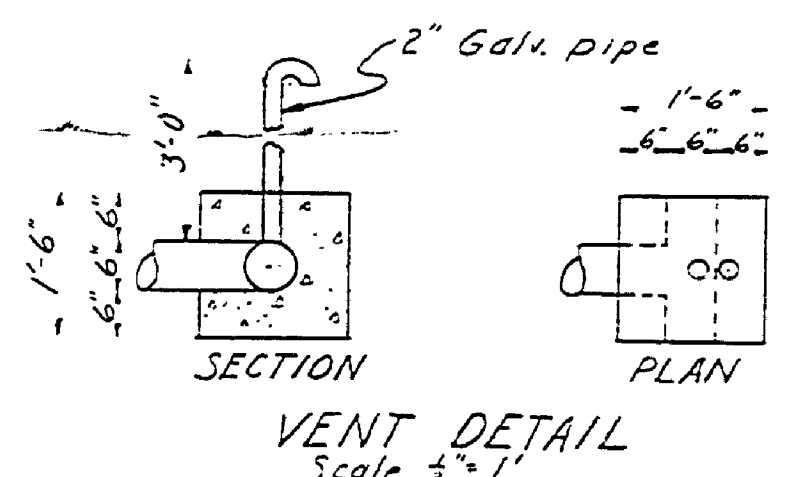
SECTION D-D
DOSING CHAMBER
Scale 1/2"=1'



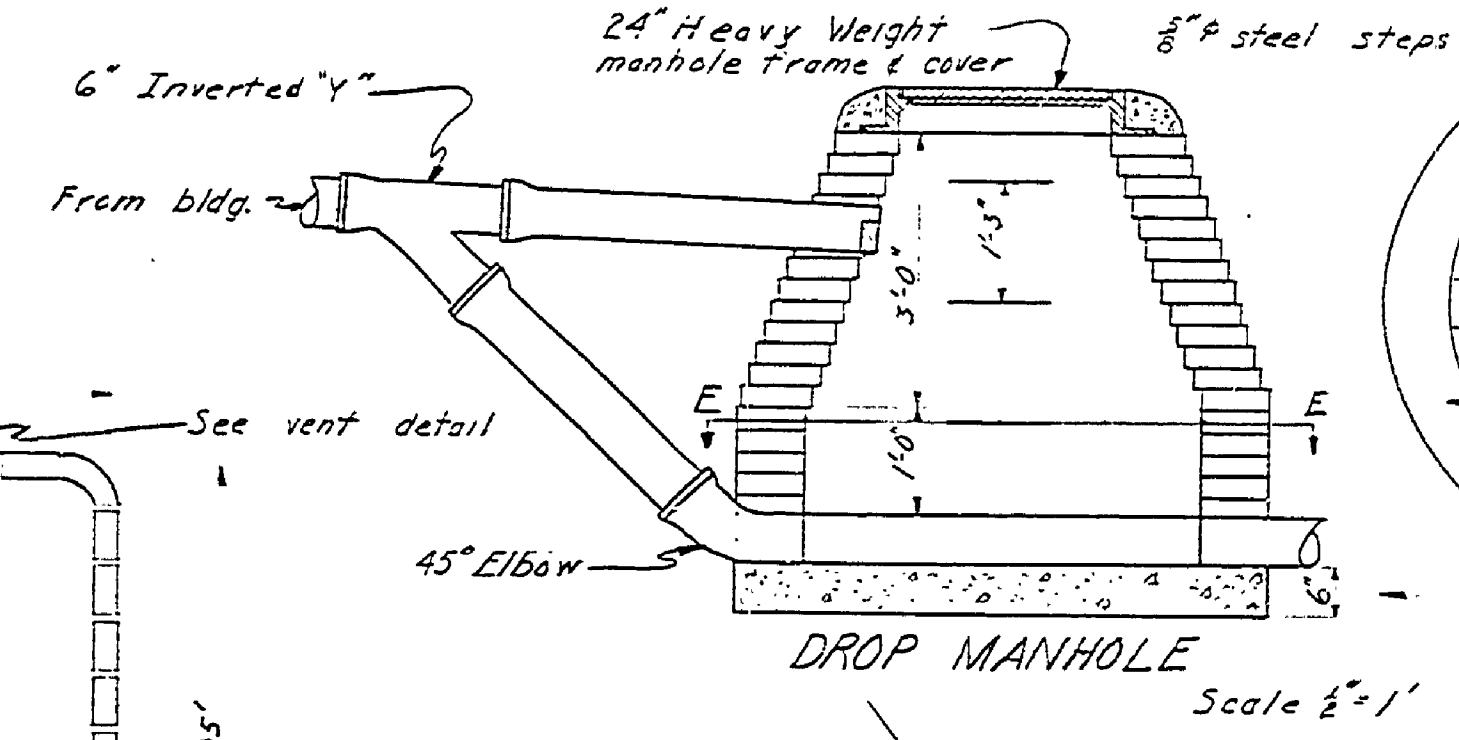
PLAN



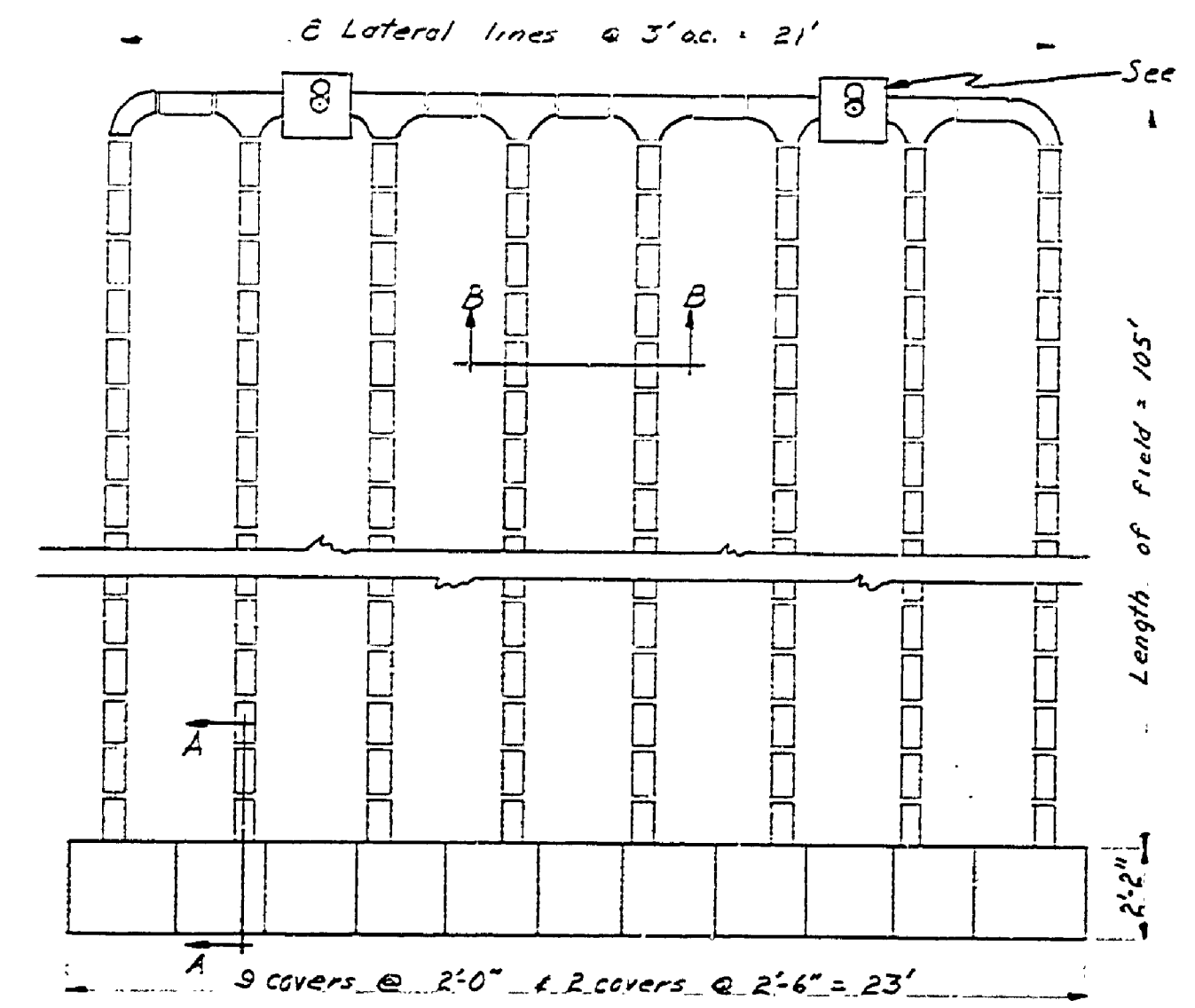
LONGITUDINAL SECTION
SEPTIC TANK
Scale 1/2"=1'



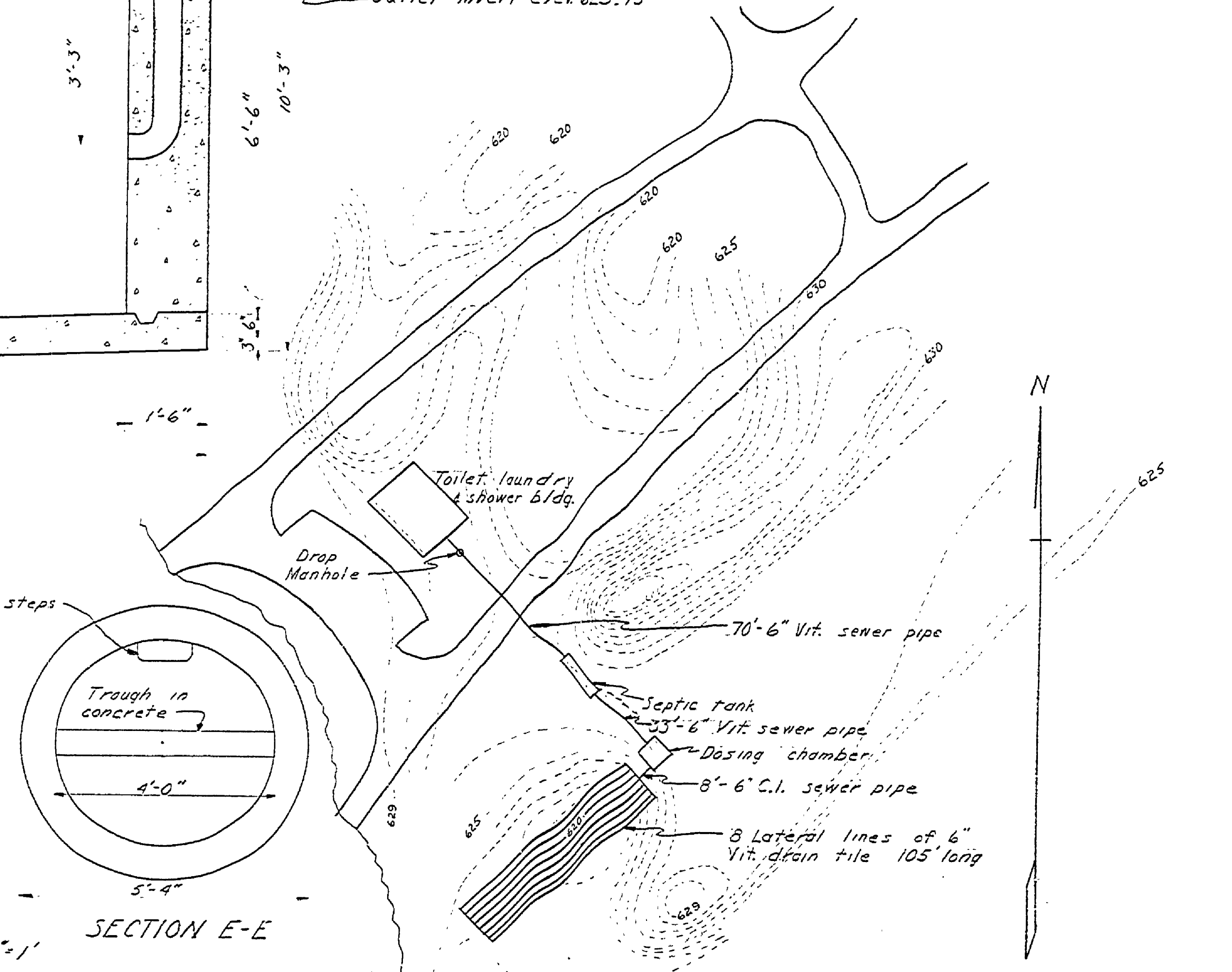
VENT DETAIL
Scale 1/2"=1'



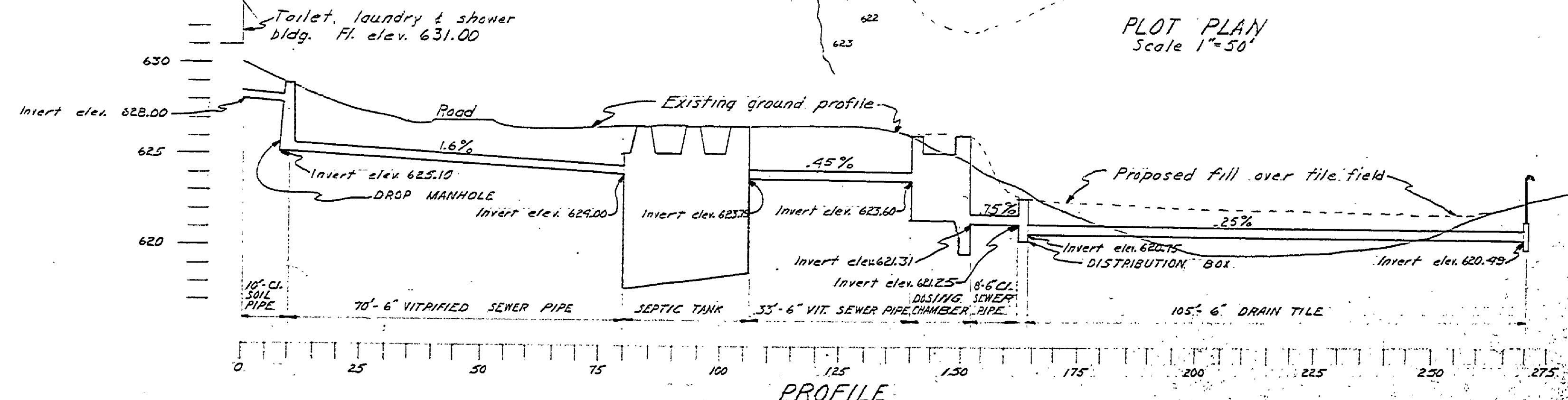
DROP MANHOLE
Scale 1/2"=1'



DISPOSAL FIELD
Scale 1/2"=1'



PLOT PLAN
Scale 1"=50'



PROFILE
Scale: Hor. 1"=20', Vert. 1"=5'

MICHIGAN
DEPARTMENT OF CONSERVATION
PARKS AND RECREATION DIVISION

INDIAN LAKE STATE PARK
TOILET LAUNDRY AND SHOWER
BUILDING DISPOSAL SYSTEM
Scale: 1/2"=1'-0" Show

SHEET NO.	PLAN NO.
1 OF 3	E-105