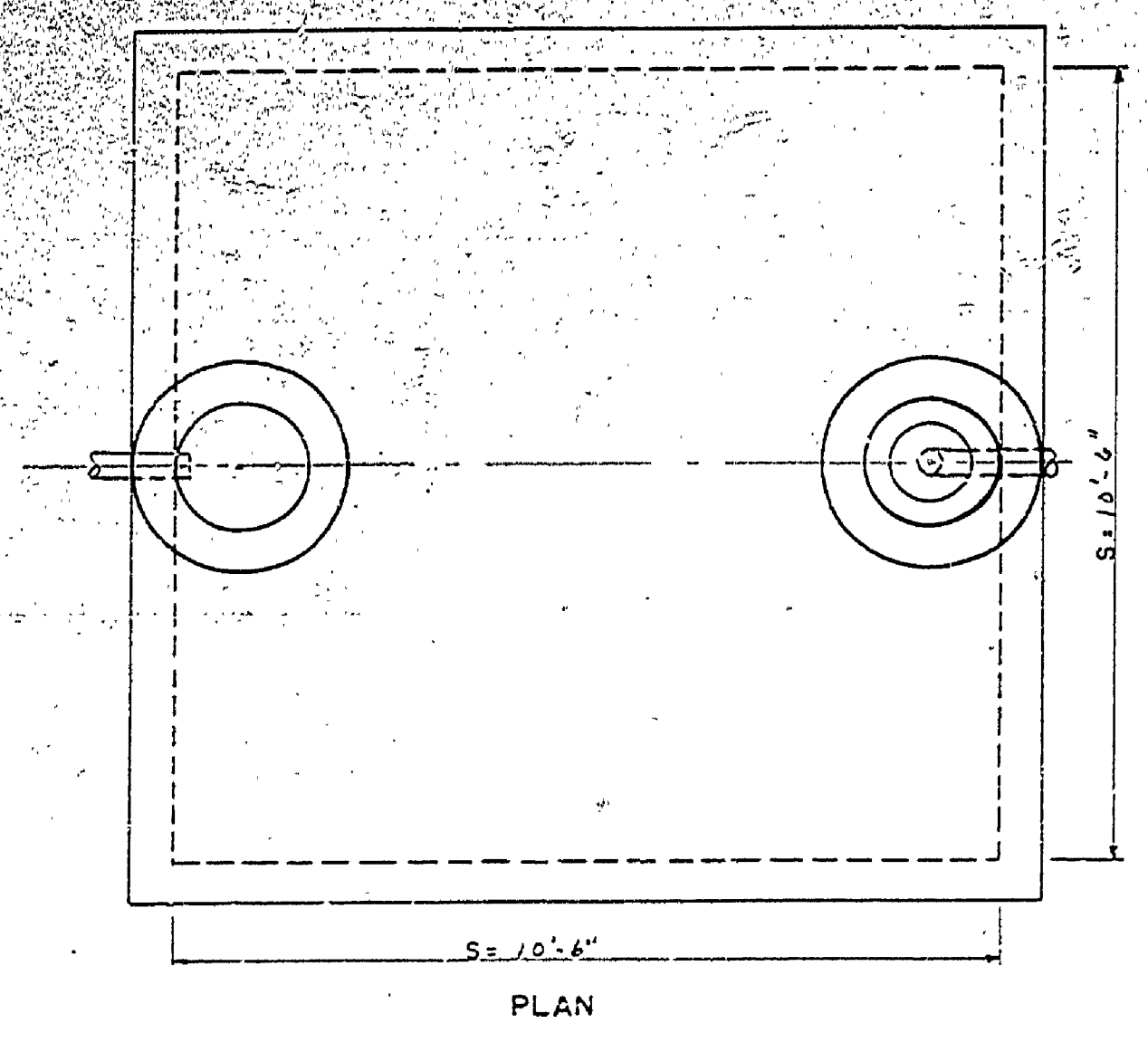
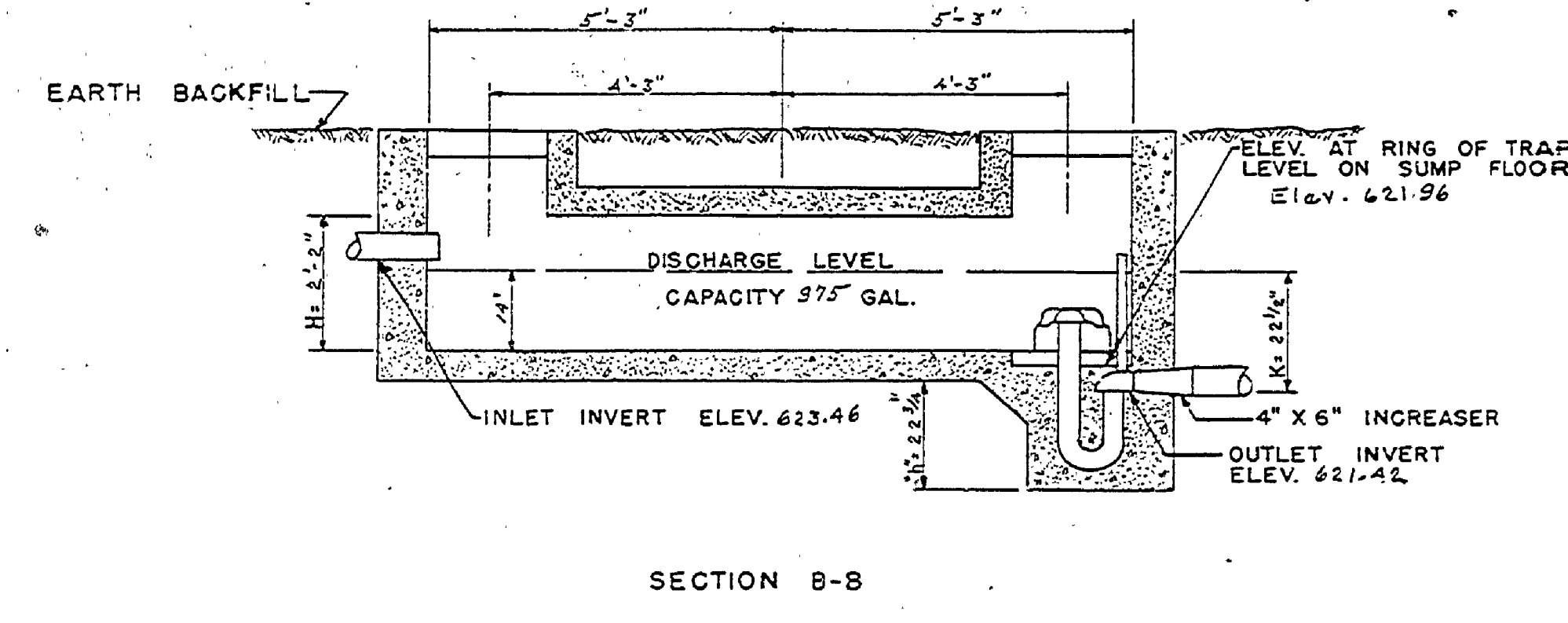


NO.	DATE	BY	REVISIONS
1	9-29-68	E.B.P.	Revise Location of Disposal System
2			added M.H.#1 & changed grades
3			
4			
5			
6			

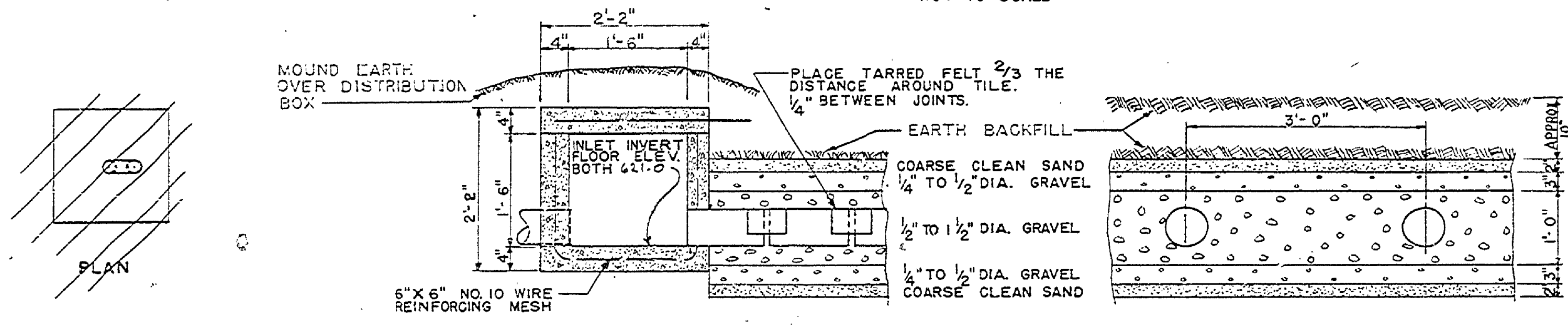
DRAWN BY	E.B.P.
CHECKED BY	J.T.P.
DATE	2-15-76
REVIEWED BY SECTIONS	J.T.P. ARCHITECTURAL H.L.M. ENGINEERING J.T.P. LANDSCAPE
DATE	2-17-56
APPROVED BY	[Signature]
DATE	17-6-56
DESIGNED BY	[Signature]
DATE	2-17-56



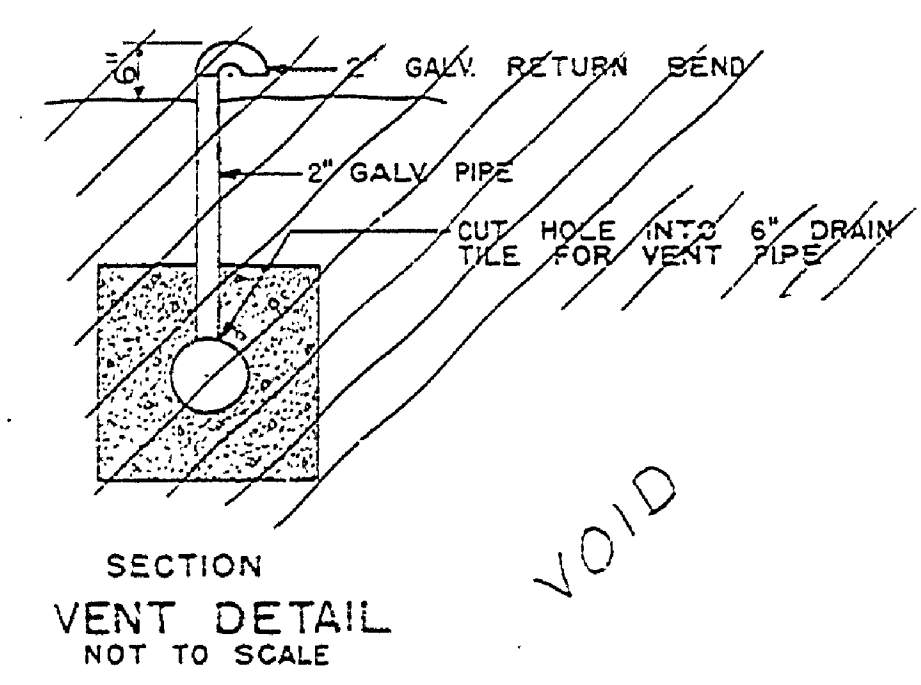
NOTES FOR DOSING CHAMBER
 SEE PLAN NO. SE-118 FOR STEEL REINFORCING DETAILS AND DETAIL DIMENSIONS OF DOSING CHAMBER BEAM.
 USE 4" SIPHON WITH 1/4" DRAWDOWN.
 USE S = 10'-0", H = 1'-0", K = 1'-0"



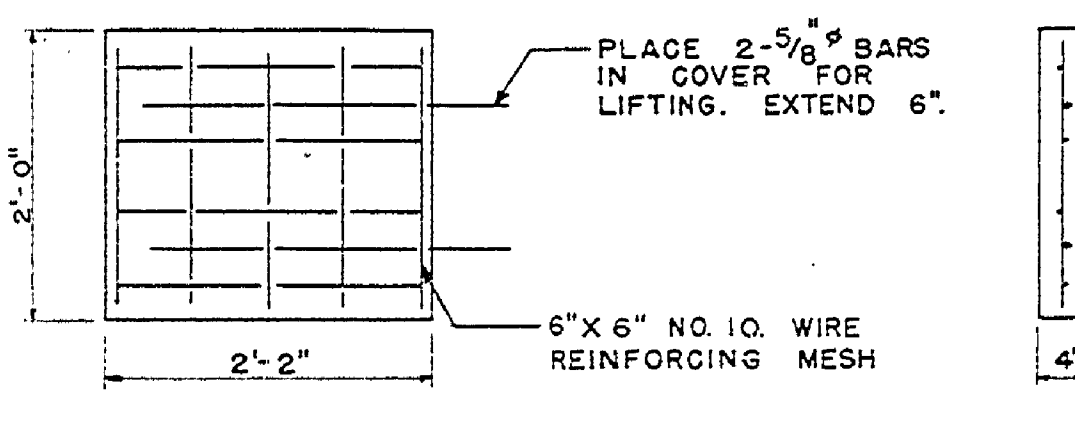
DOSING CHAMBER
NOT TO SCALE



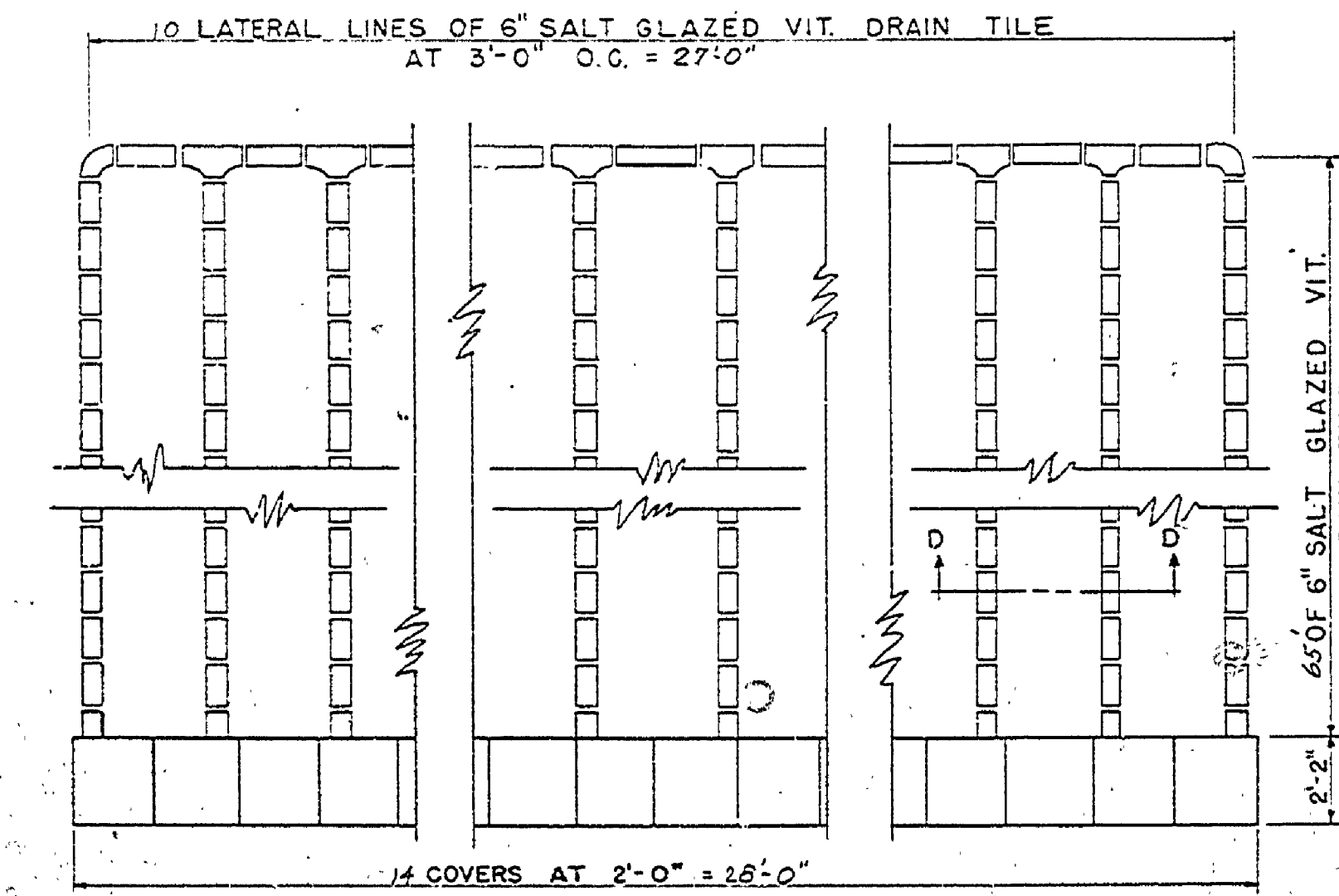
ELEVATION OF DISPOSAL FIELD
NOT TO SCALE



VENT DETAIL
NOT TO SCALE

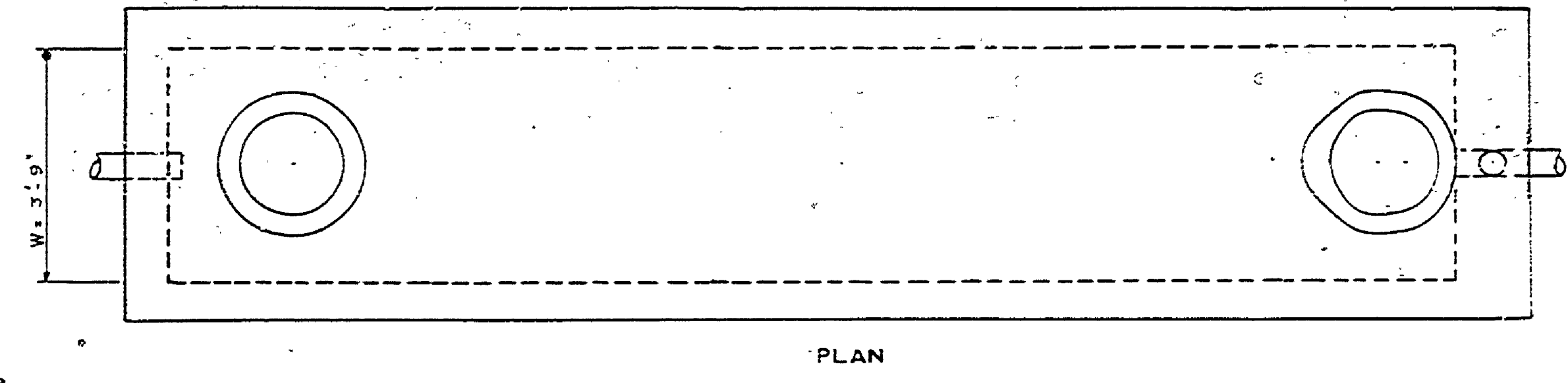


DISTRIBUTION BOX COVER
NOT TO SCALE

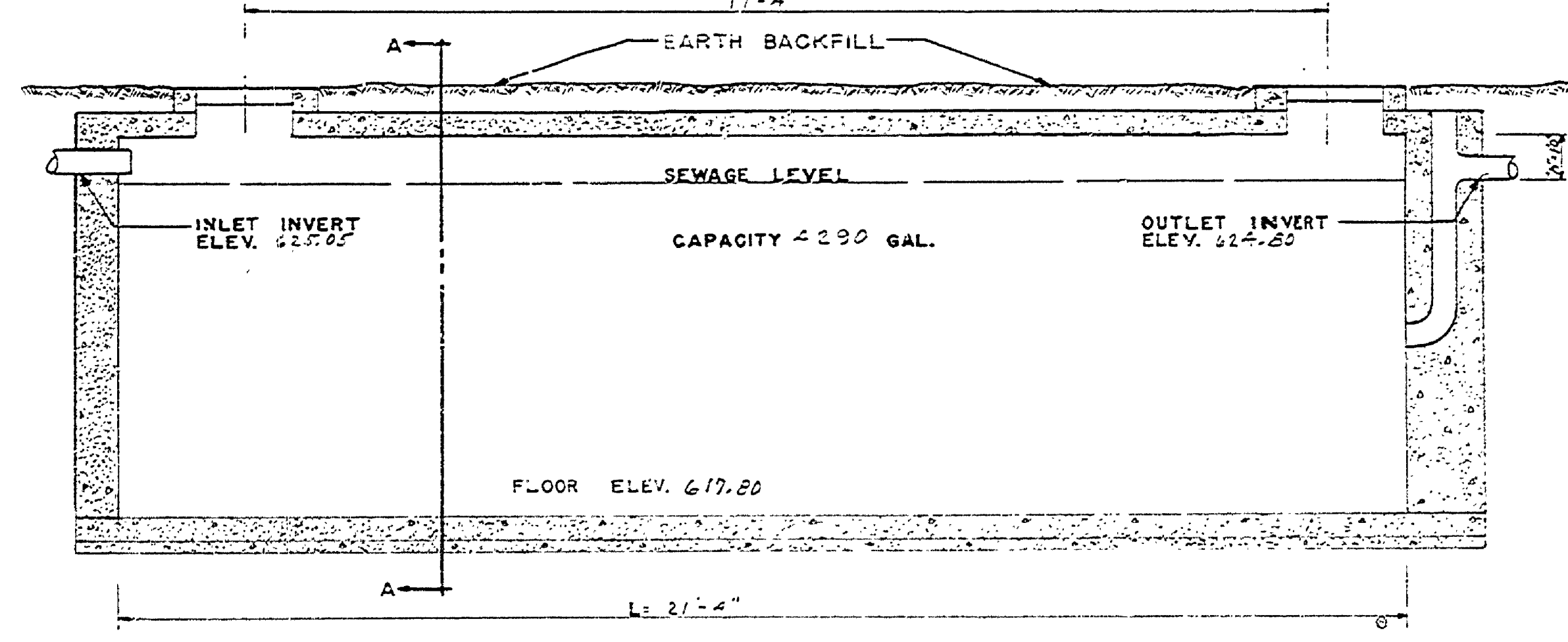


PLAN DISPOSAL FIELD
NOT TO SCALE

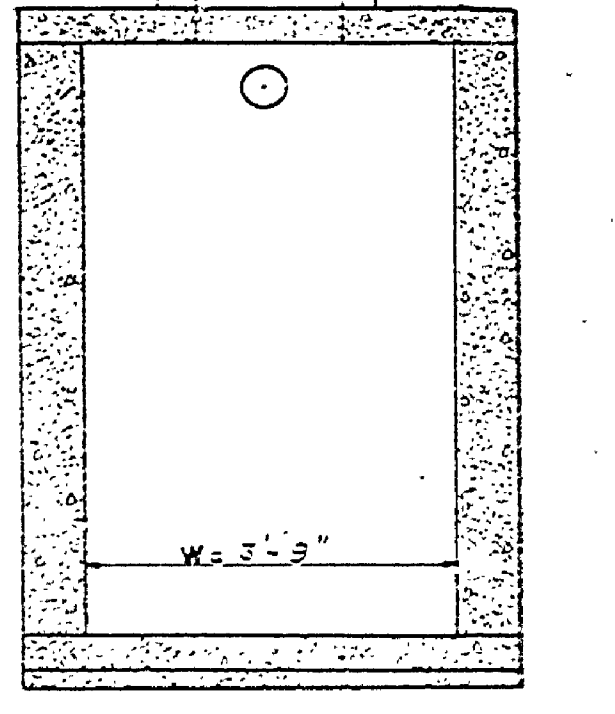
NOTE
 EXCAVATE TILE FIELD AREA TO REMOVE ALL SOIL, TOP SOIL AND DEBRIS. BACKFILL AREA WITH CLEAN FORDUM MATERIAL TO ELEV. 620.33 BEFORE LAYING CLEAN SAND, GRAVEL AND TILE



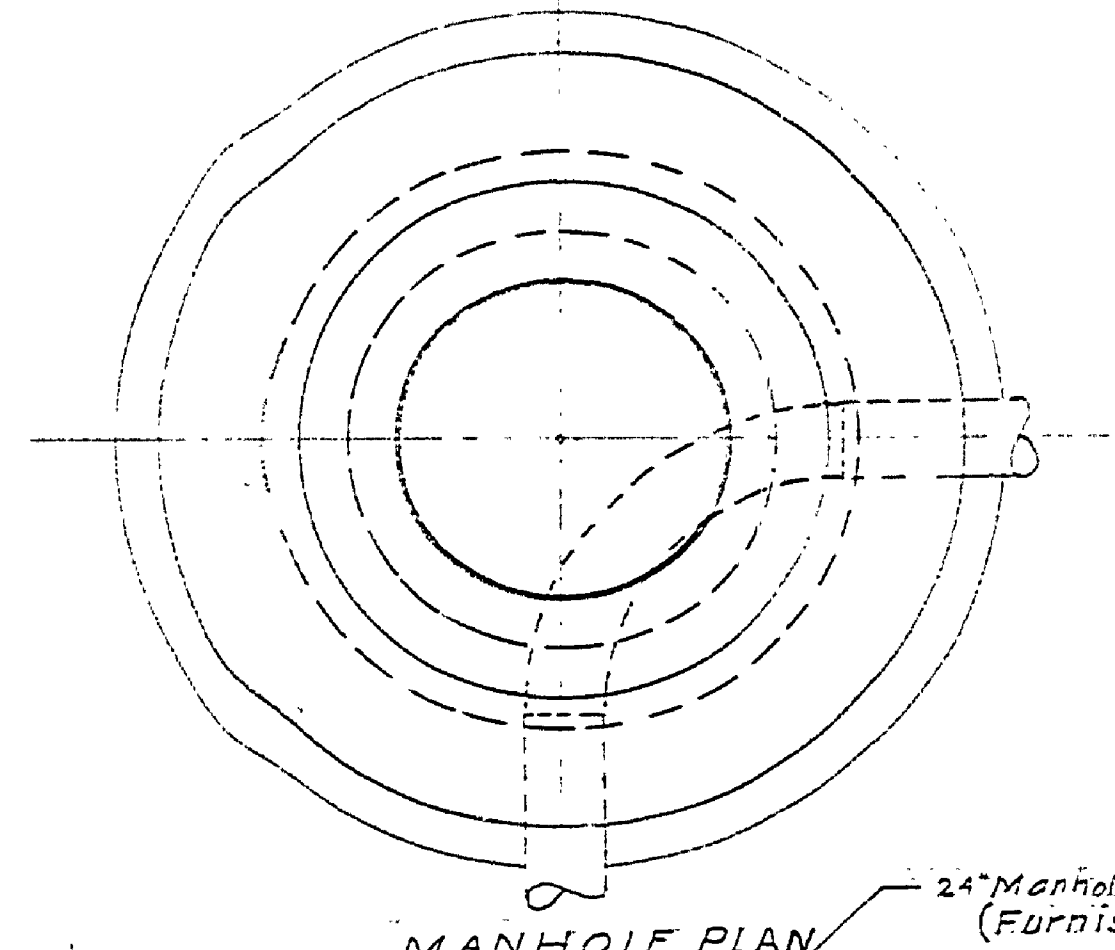
NOTES FOR SEPTIC TANK
 SEE PLAN NO. SE-121 FOR STEEL REINFORCING DETAILS AND DETAIL DIMENSIONS.
 USE L = 21'-4", W = 3'-9", H = 1'-0"



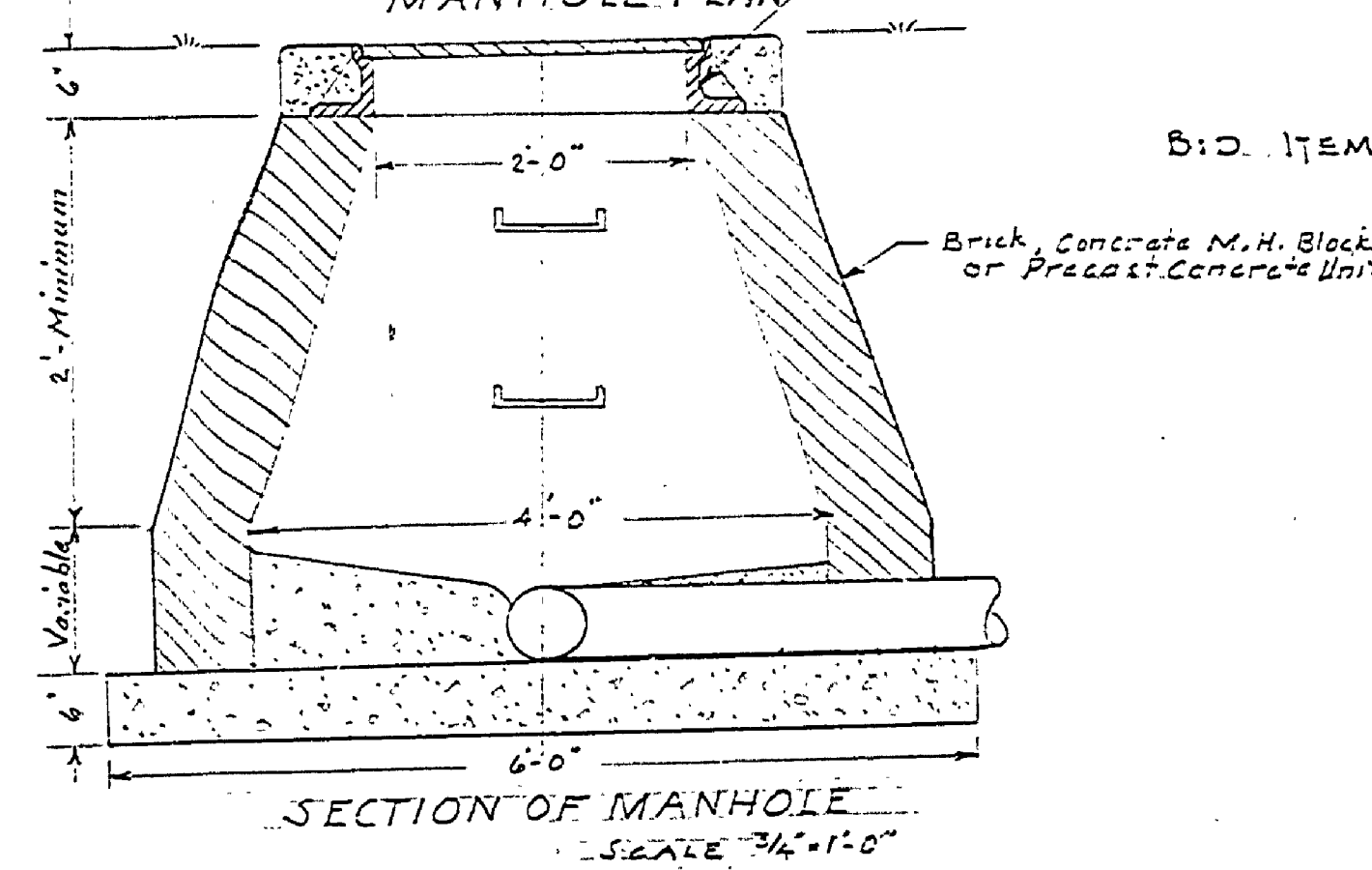
LONGITUDINAL SECTION SEPTIC TANK
NOT TO SCALE



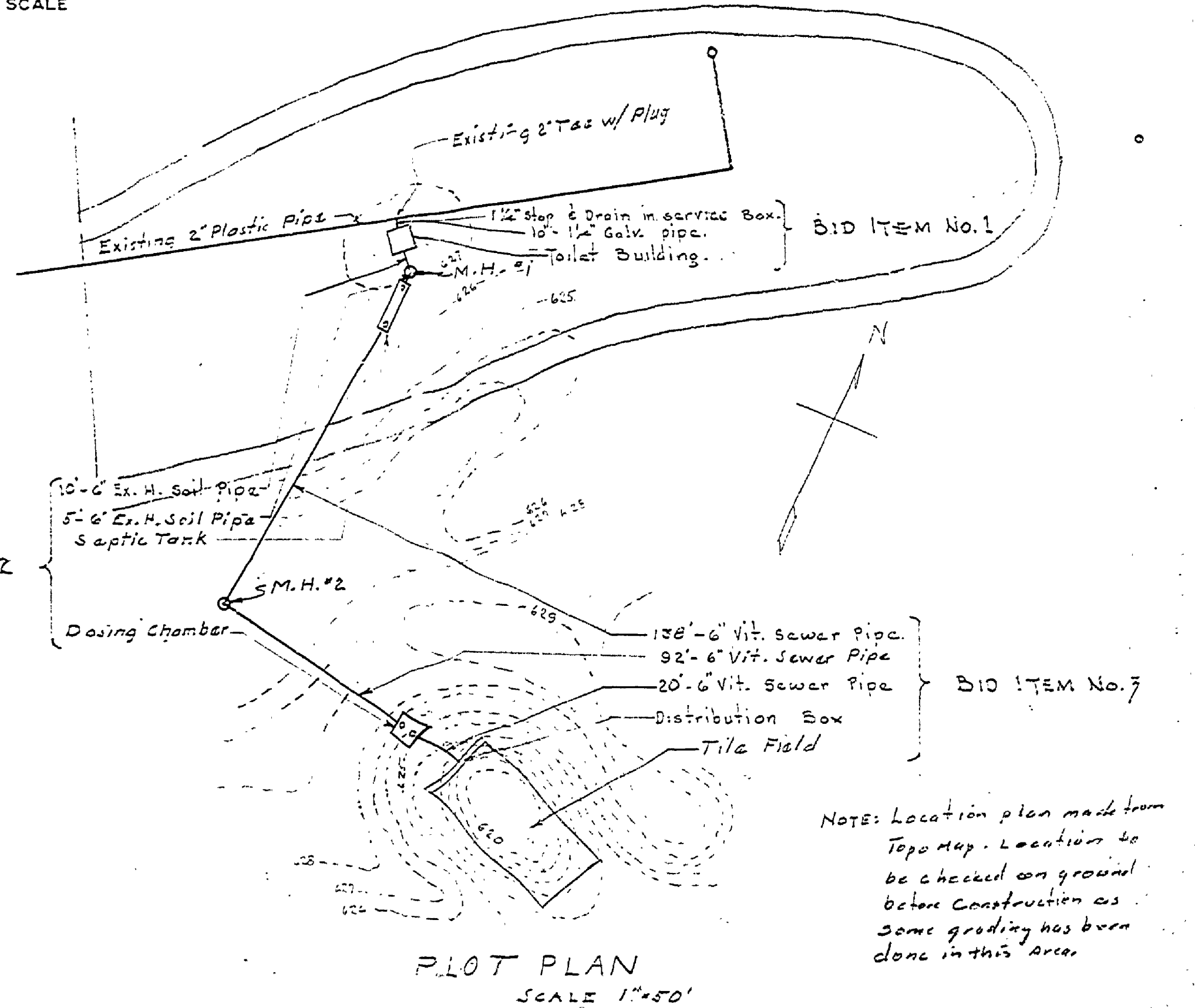
SECTION A-A



MANHOLE PLAN

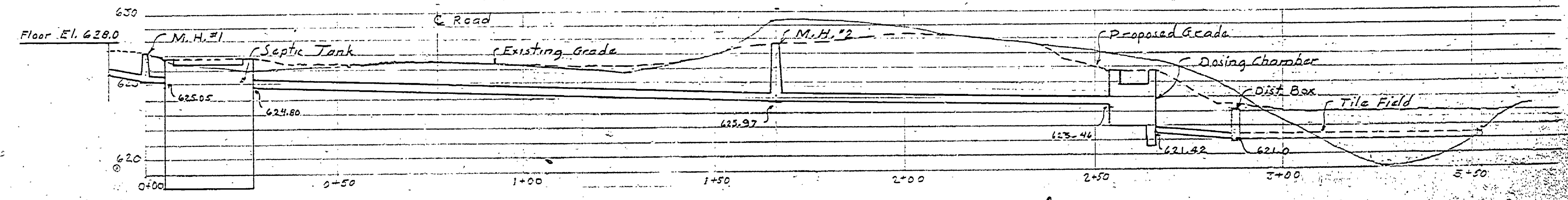


SECTION OF MANHOLE
SCALE 3/4" = 1'-0"



PILOT PLAN
SCALE 1" = 50'

NOTE: Location plan made from Topo Map. Location to be checked on ground before construction as some grading has been done in this area.



PROFILE OF SYSTEM
HORIZ. SCALE 1" = 20', VERT. SCALE 1" = 6"

PROJECT No. 81-223-10

MICHIGAN DEPARTMENT OF CONSERVATION
 PARKS AND RECREATION DIVISION

INDIAN LAKE STATE PARK
 BUILDING NO. 8 DISPOSAL SYSTEM
 SCALE AS SHOWN

SHEET NO. 1 OF 3
 PLAN NO. E-107

STANDARD DISPOSAL SYSTEM