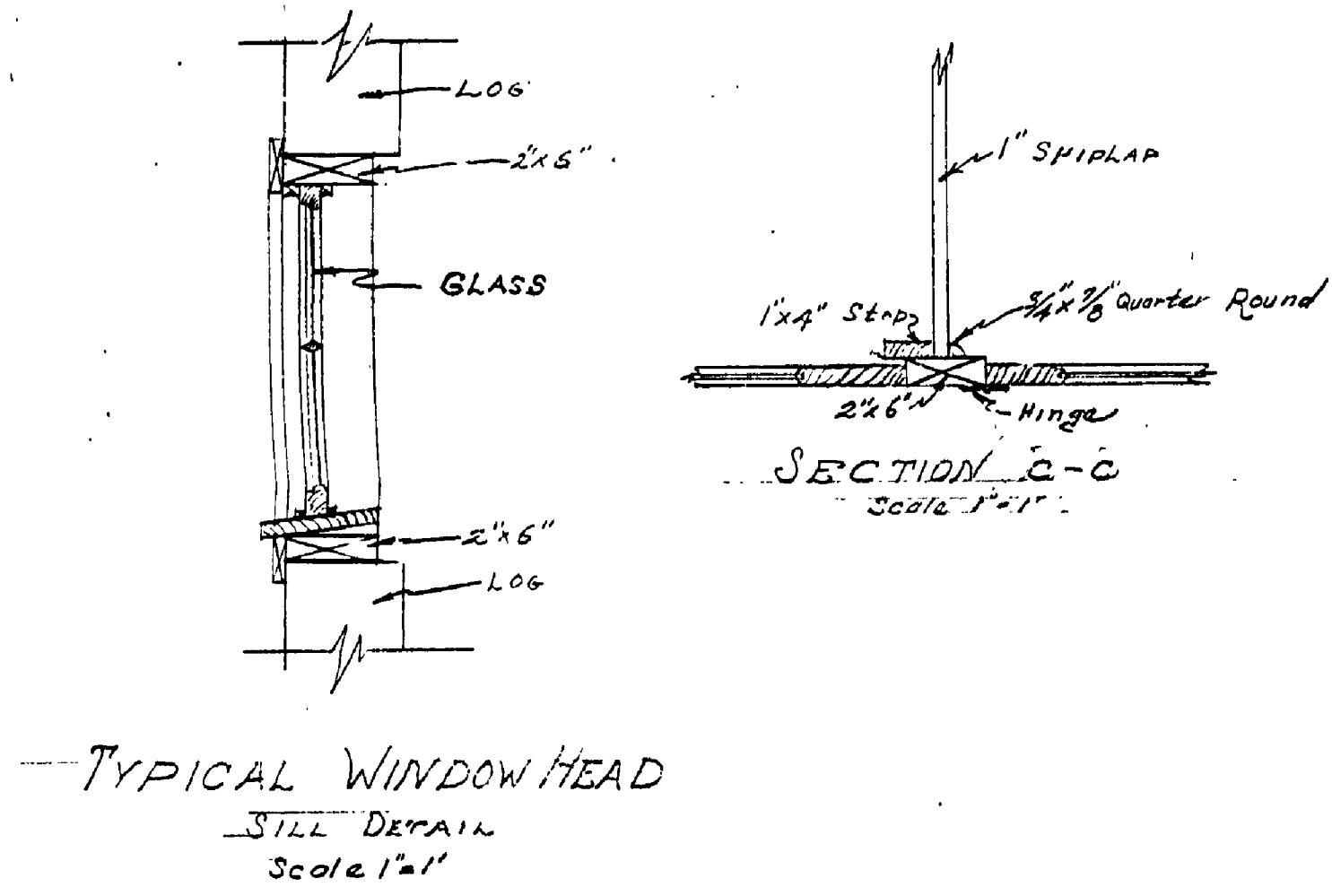
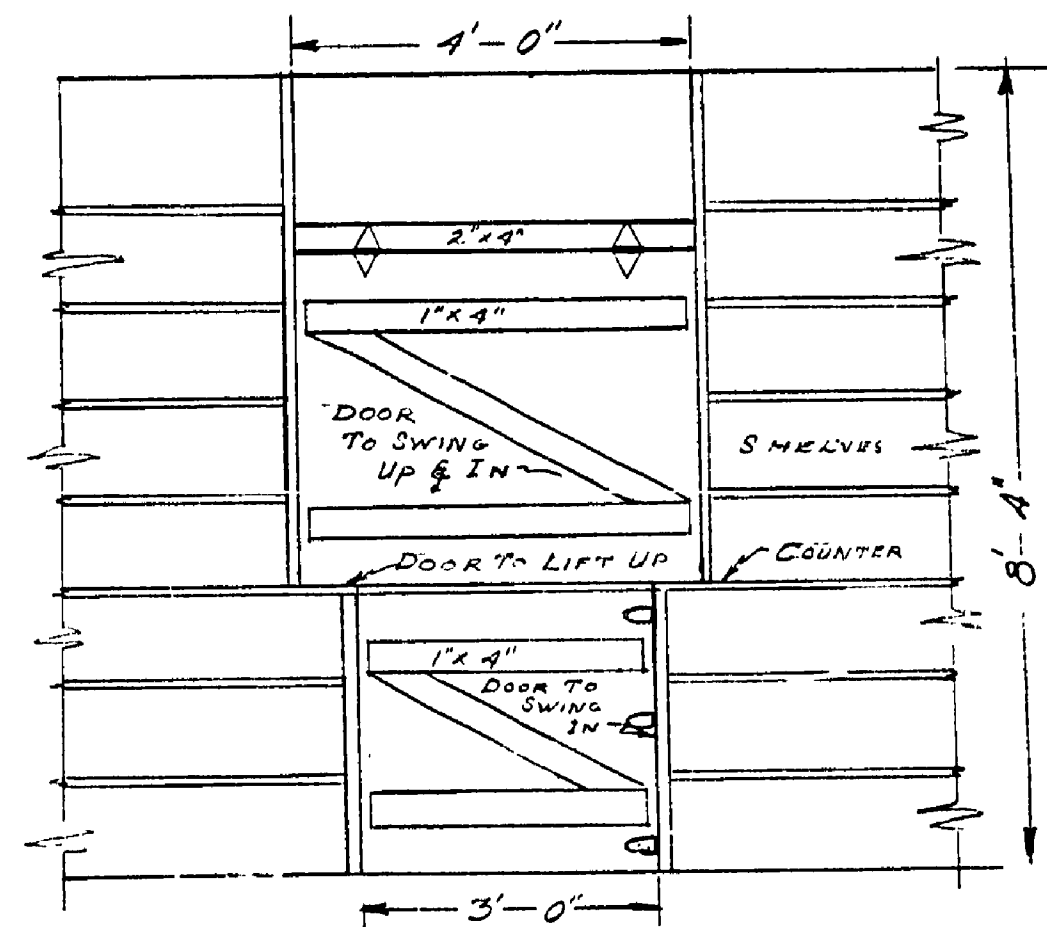


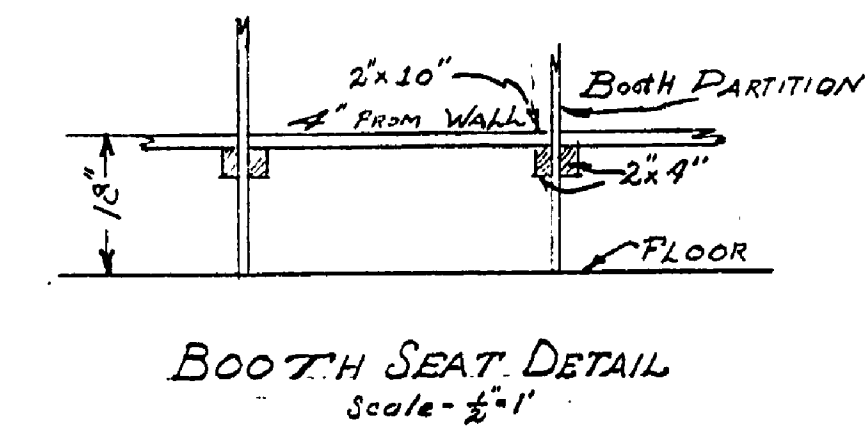
SECTION OF INSIDE OPENINGS
Scale 1/2"=1'



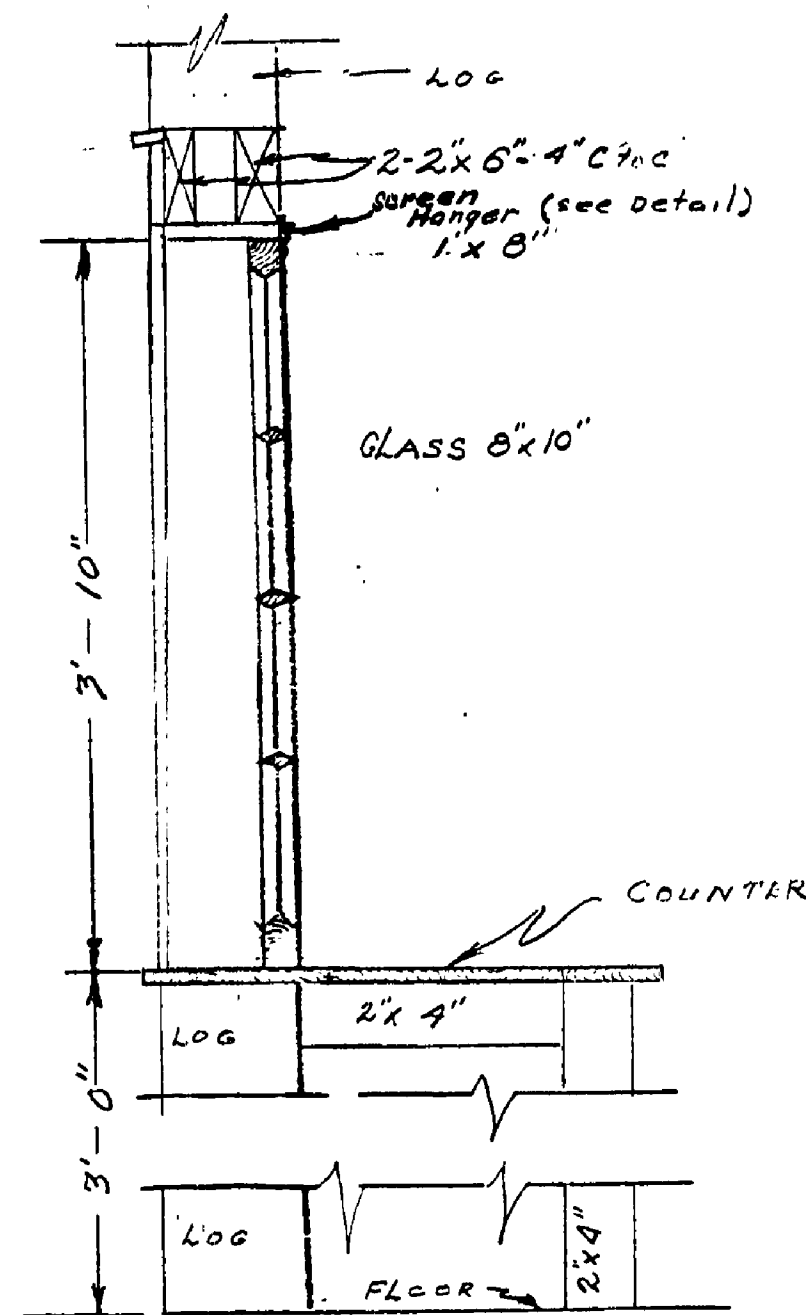
TYPICAL WINDOW HEAD
SILL DETAIL
Scale 1/2"=1'



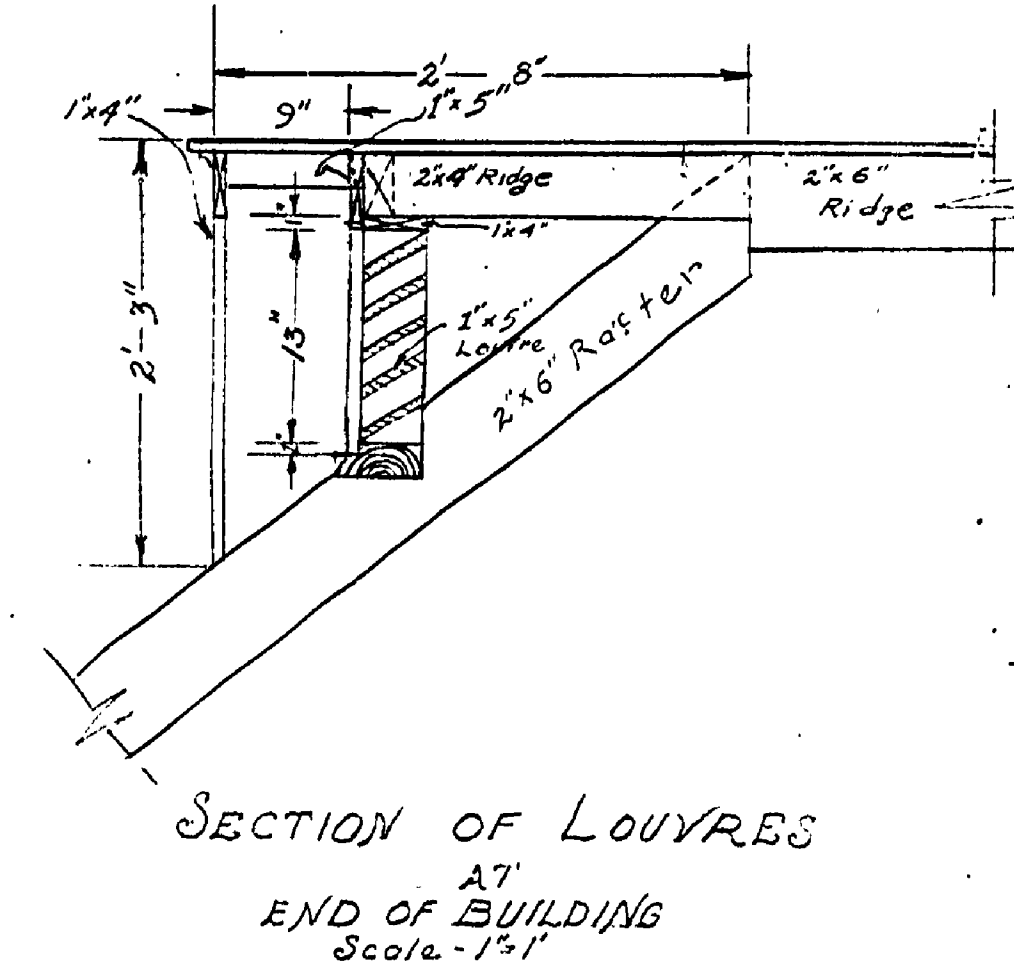
PLAN VIEW OF INSIDE OPENINGS
Scale 1"=2'



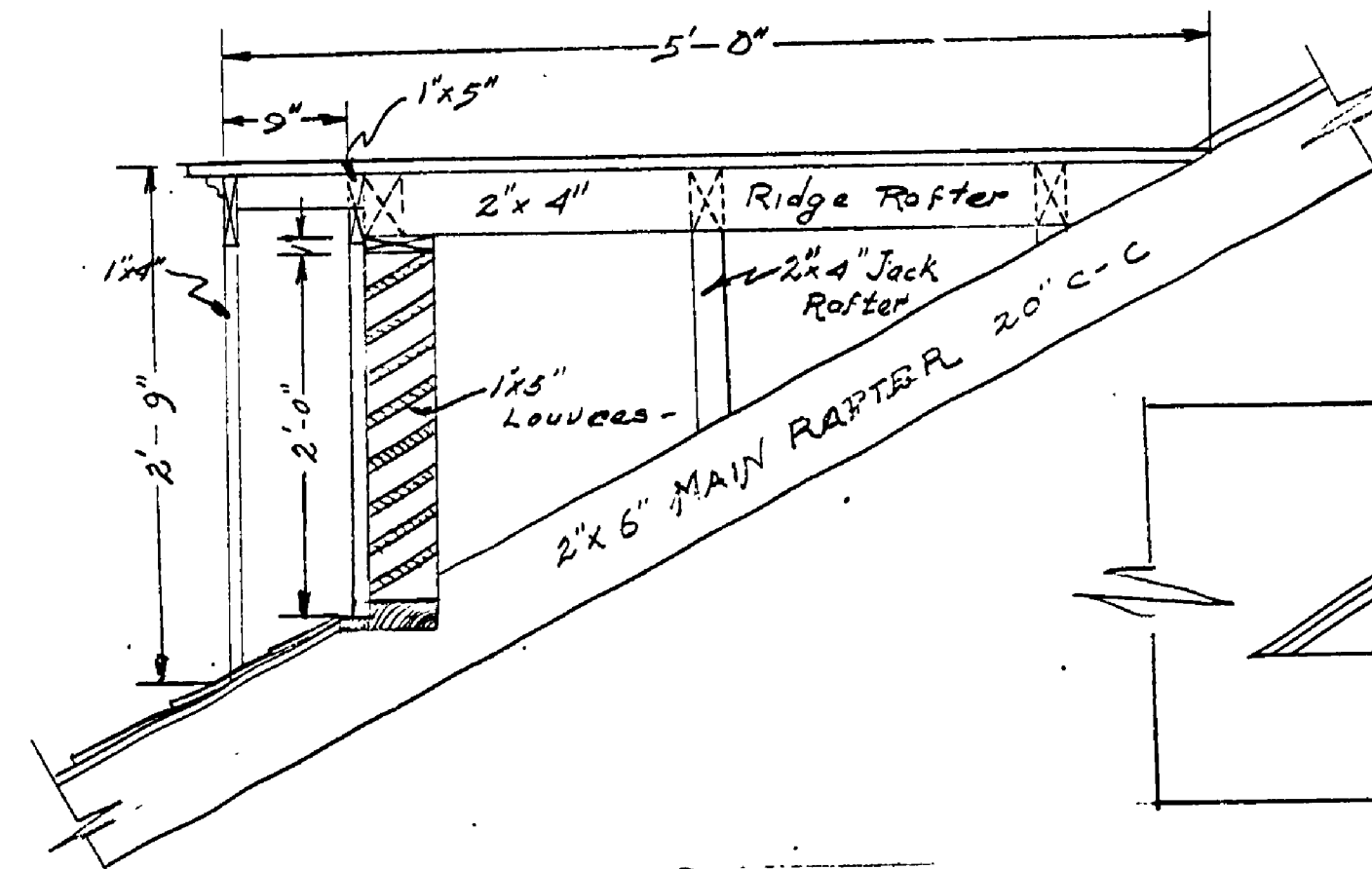
BOOTH SEAT DETAIL
Scale 3/4"=1'



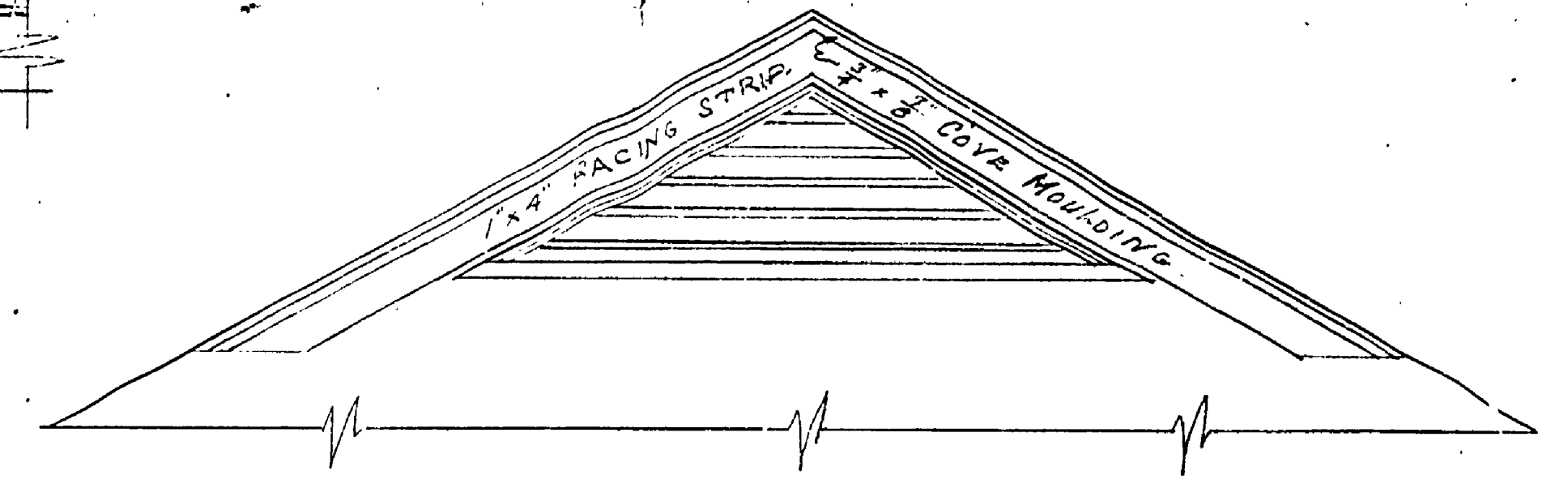
SECTION OF OUTSIDE OPENING
Scale 1/2"=1'



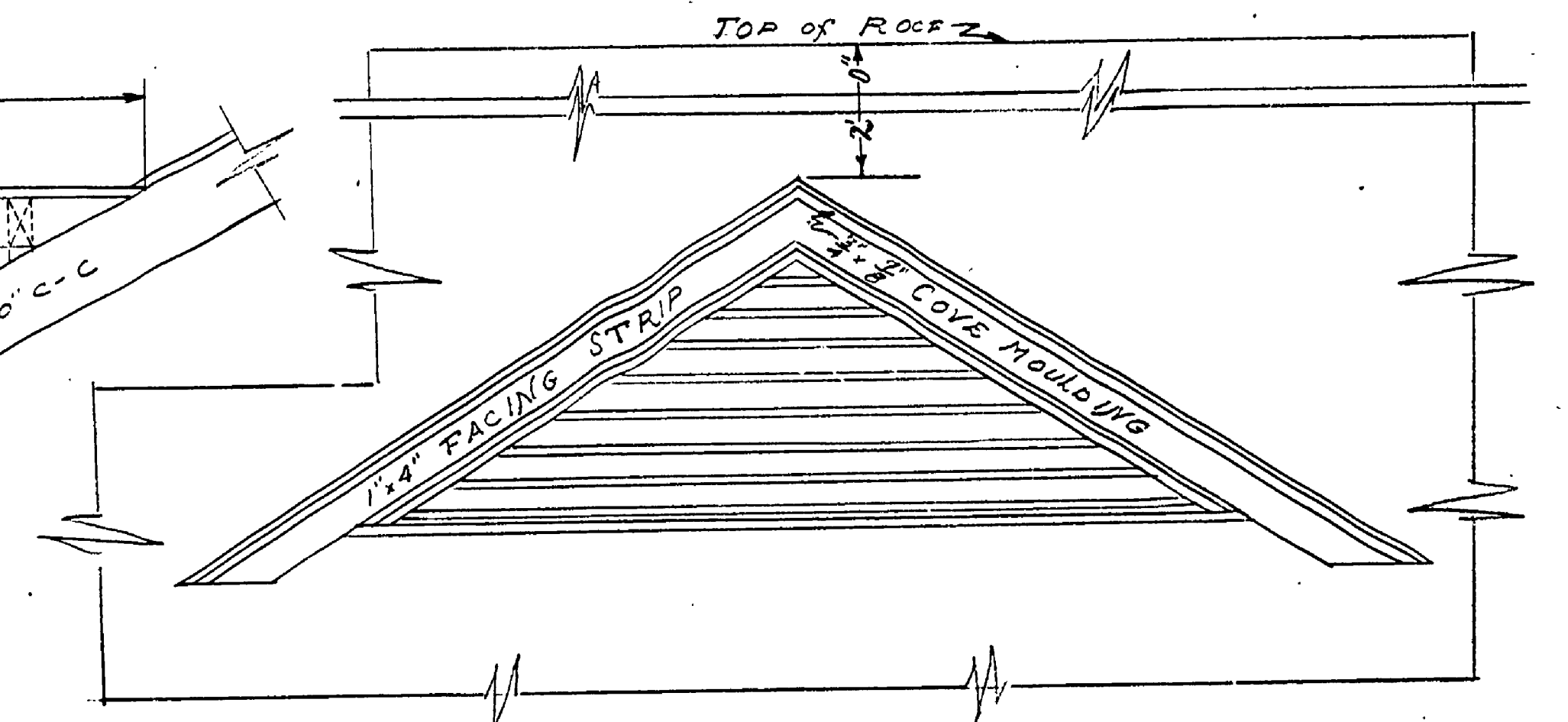
SECTION OF LOUVRES
AT
END OF BUILDING
Scale 1/2"=1'



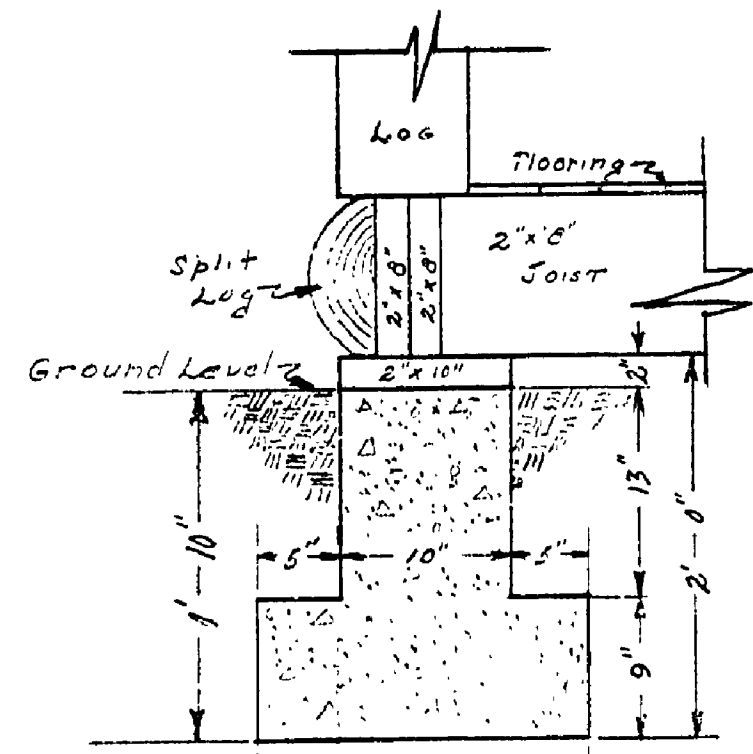
SECTION OF DORMERS
Scale 1/2"=1'



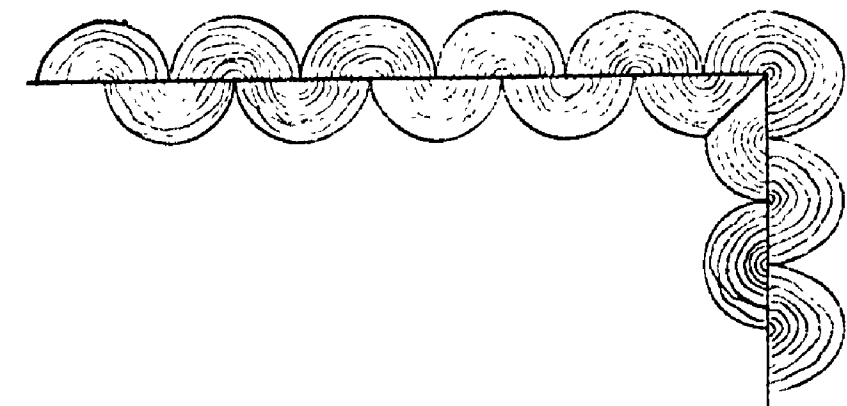
PLAN VIEW OF LOUVRES
AT
END OF BUILDING
Scale 1/2"=1'



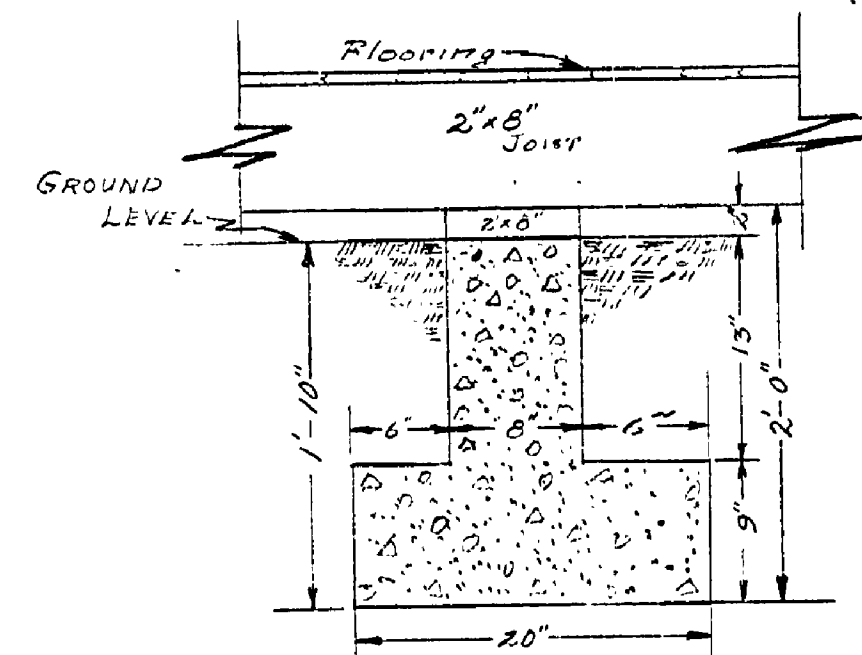
PLAN VIEW OF DORMERS
Scale 1/2"=1'



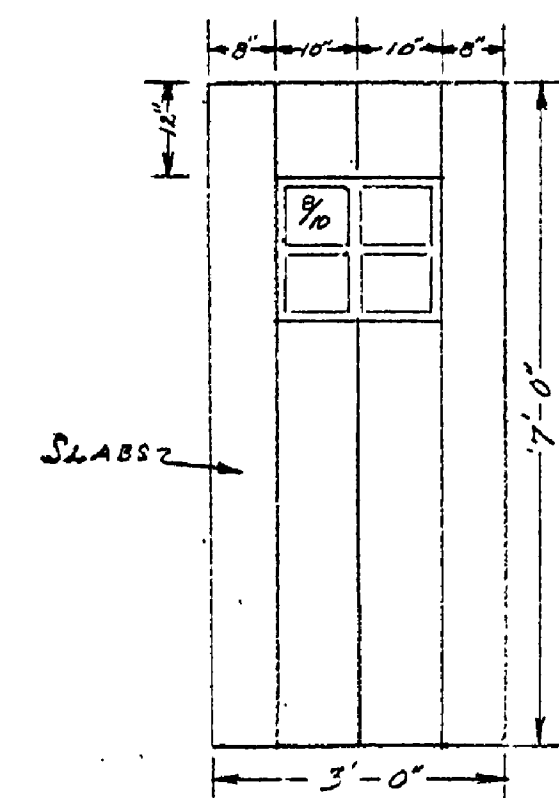
DETAIL OF OUTSIDE WALL
Scale 1/2"=1'



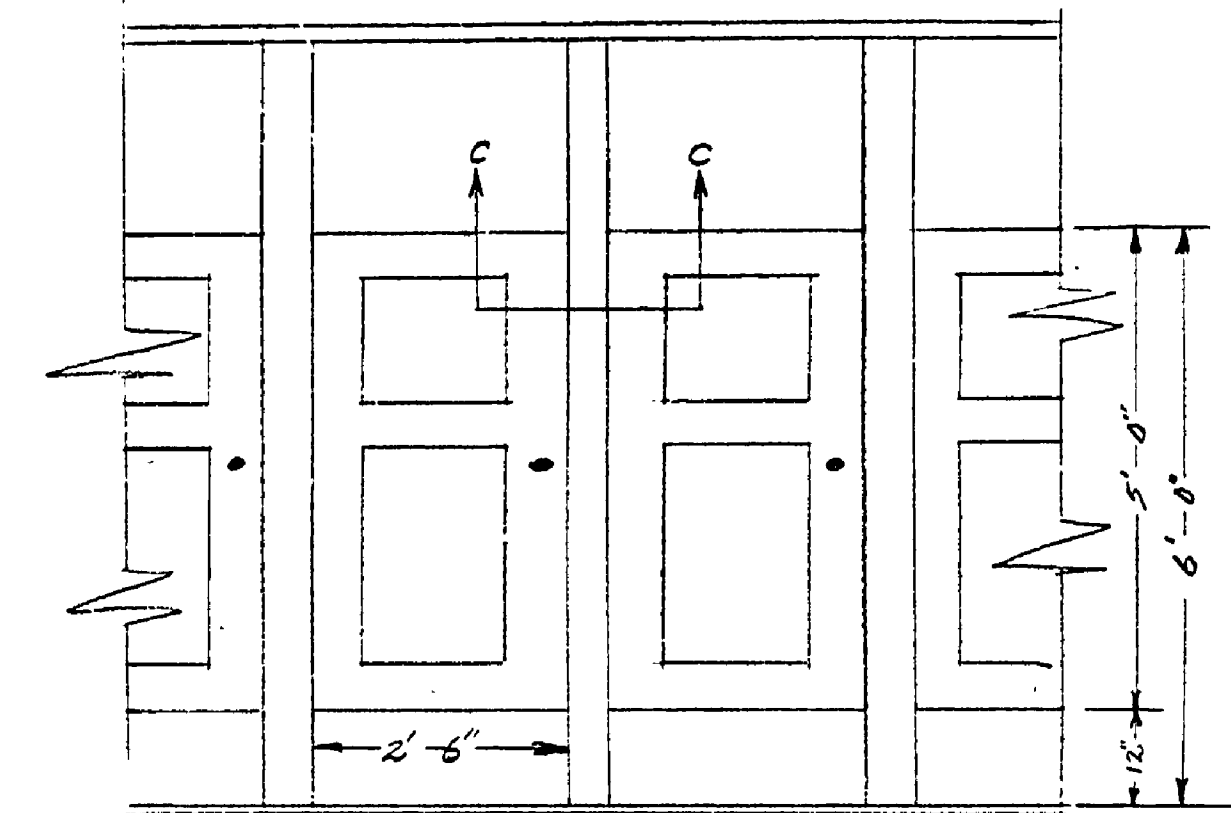
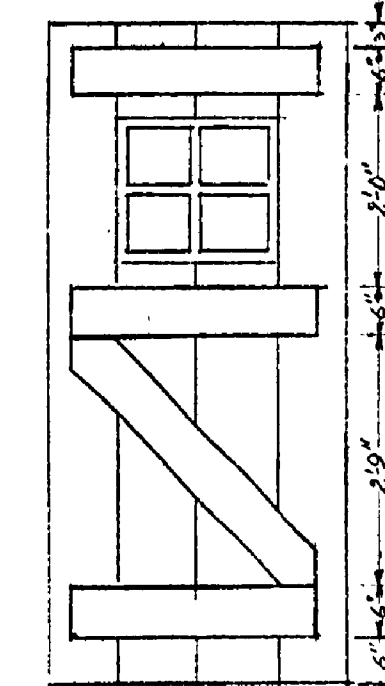
DETAIL OF WALL
Showing Placement of Log
Scale 1/2"=1'



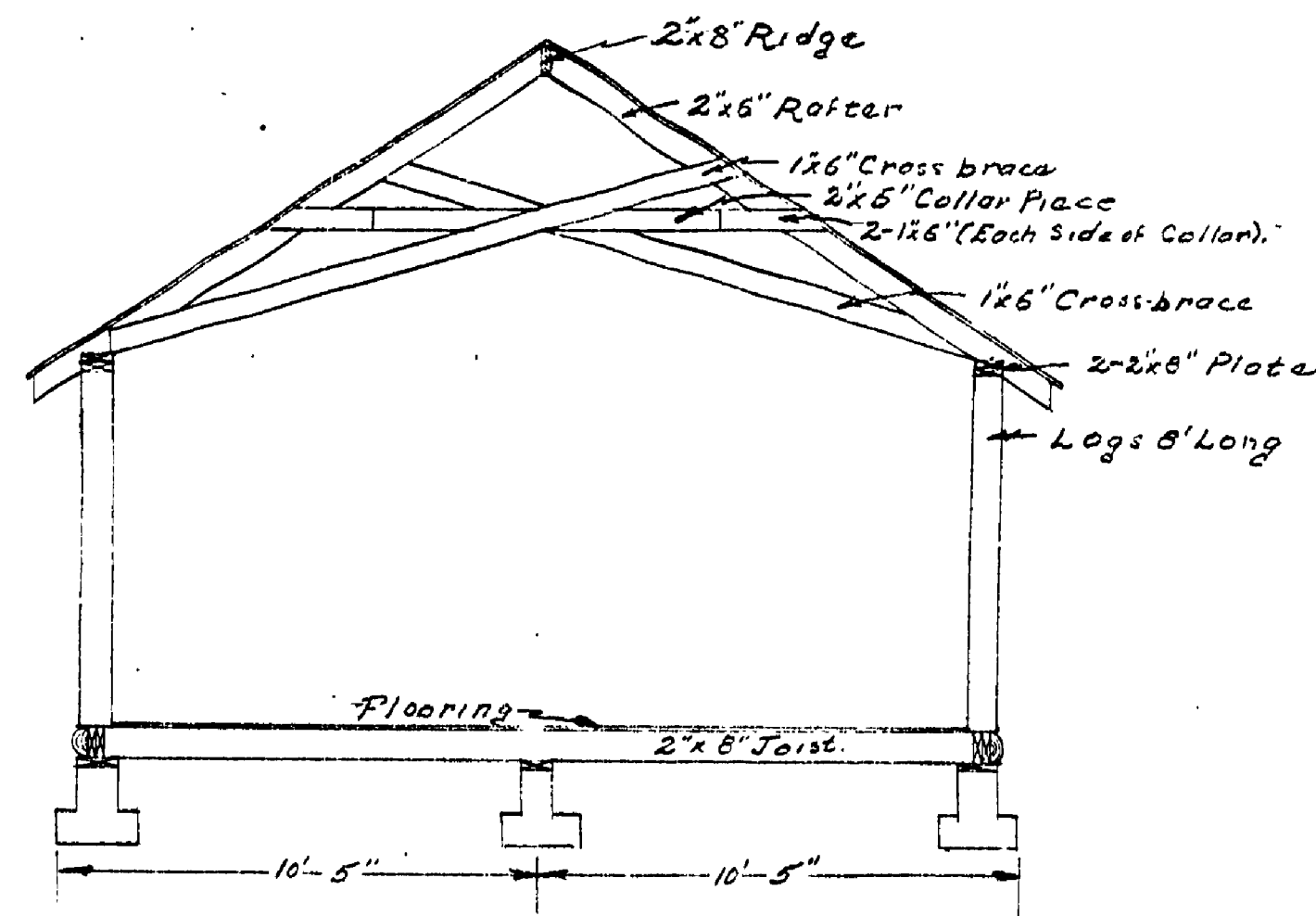
DETAIL OF INSIDE WALL
Scale 1/2"=1'



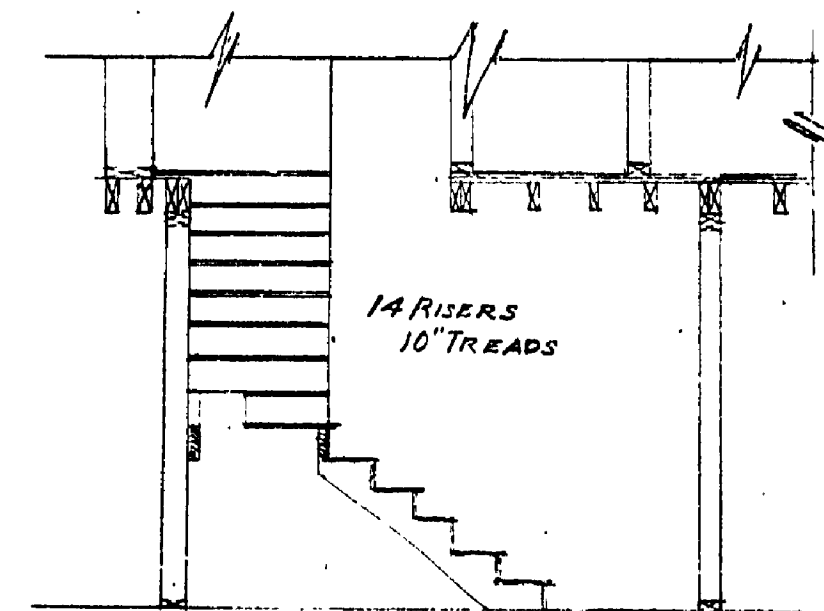
DETAIL OF OUTSIDE DOORS
Scale 1/2"=1'



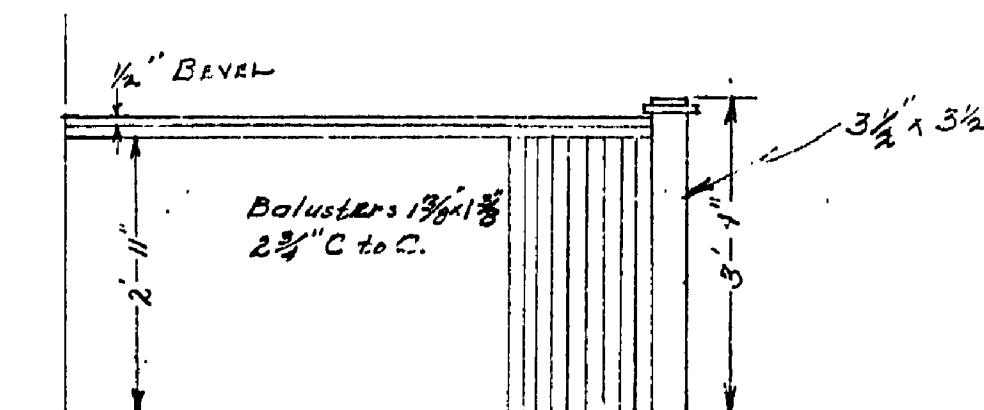
TYPICAL BOOTH ELEVATION
Scale 3/4"=1'



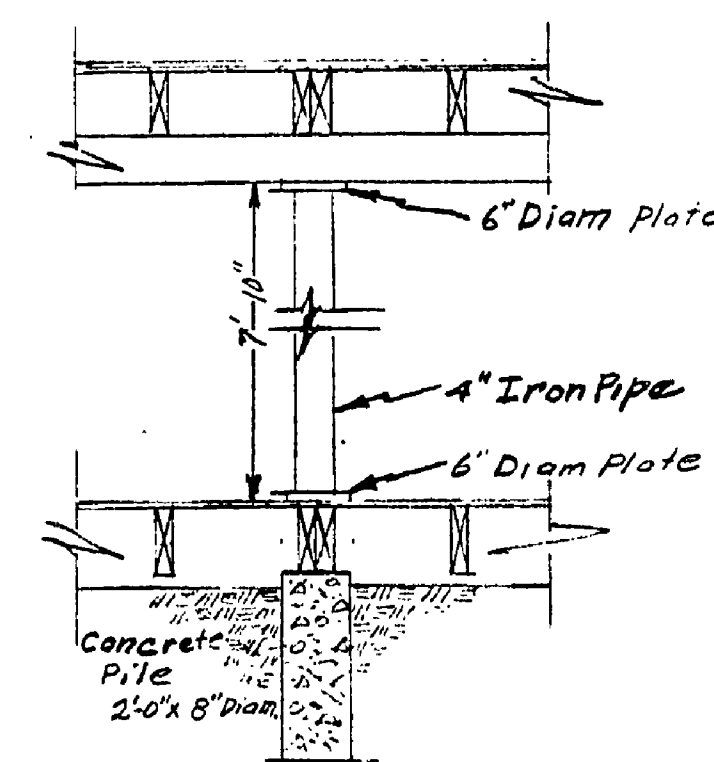
SECTION B-B
Scale 1/2"=1'



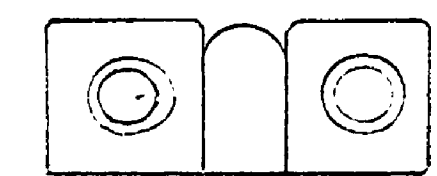
SECTION A-A
DETAIL OF STAIRS
Scale 1/2"=1'



DETAIL OF STAIR RAILING
Scale 1/2"=1'



DETAIL OF IRON POST SUPPORTS
Scale 1/2"=1'



DETAIL OF SCREEN HANGERS
Scale - Full