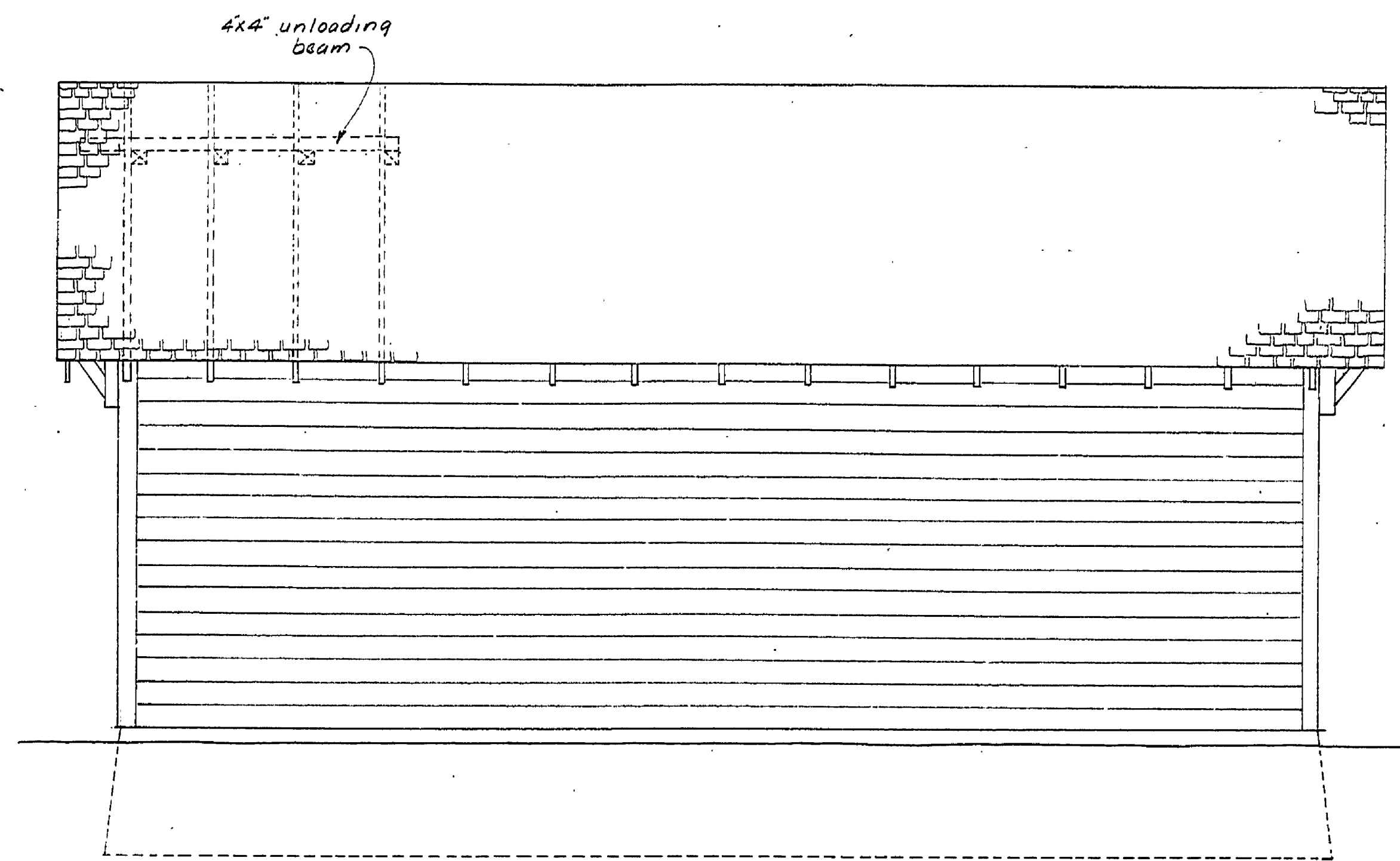
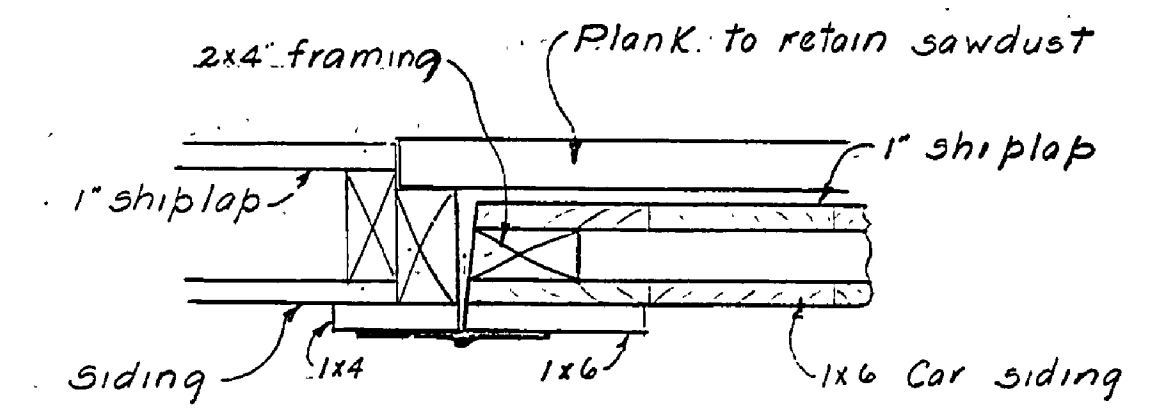


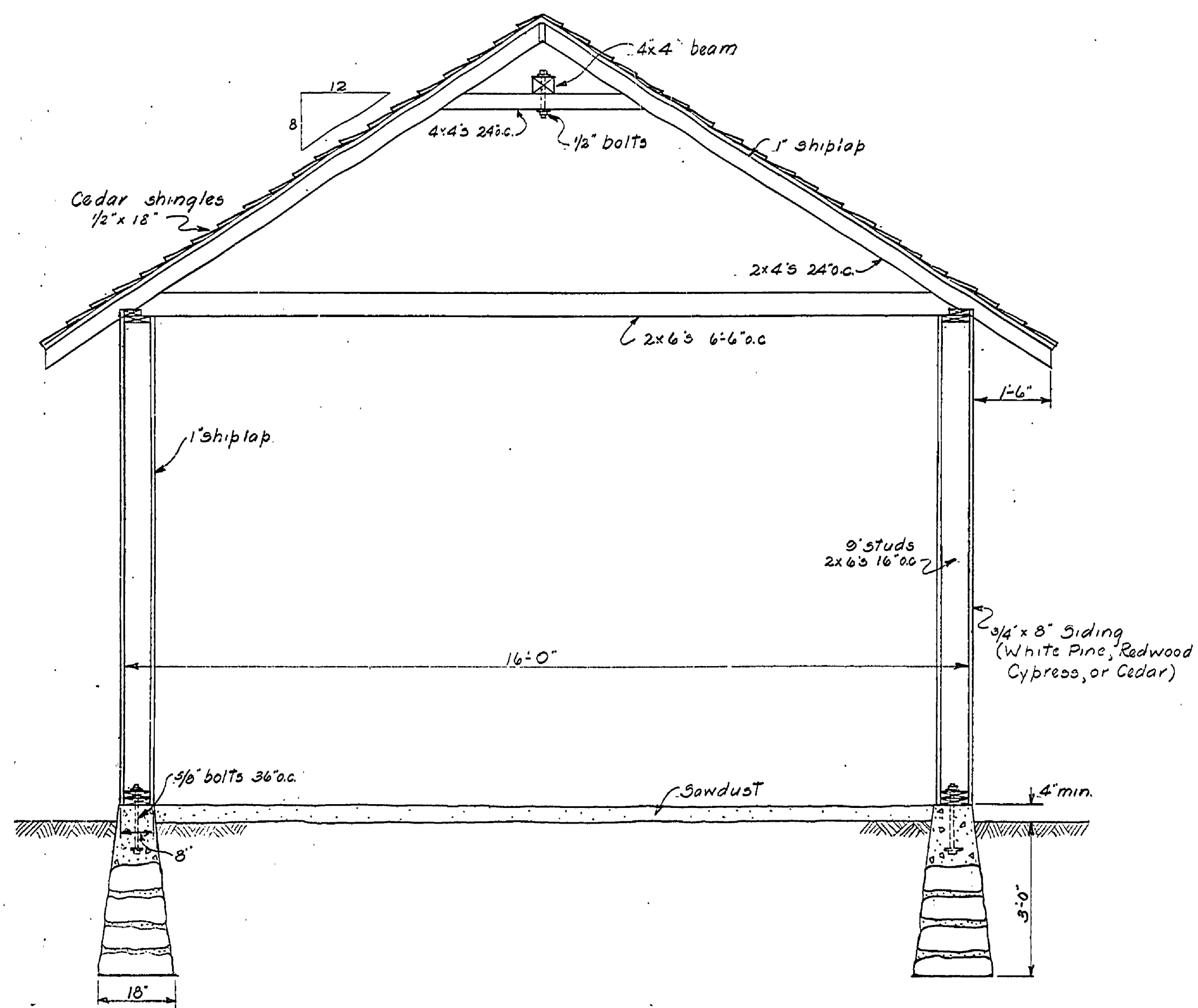
FRONT ELEVATION  
Scale 3/8"=1'-0"



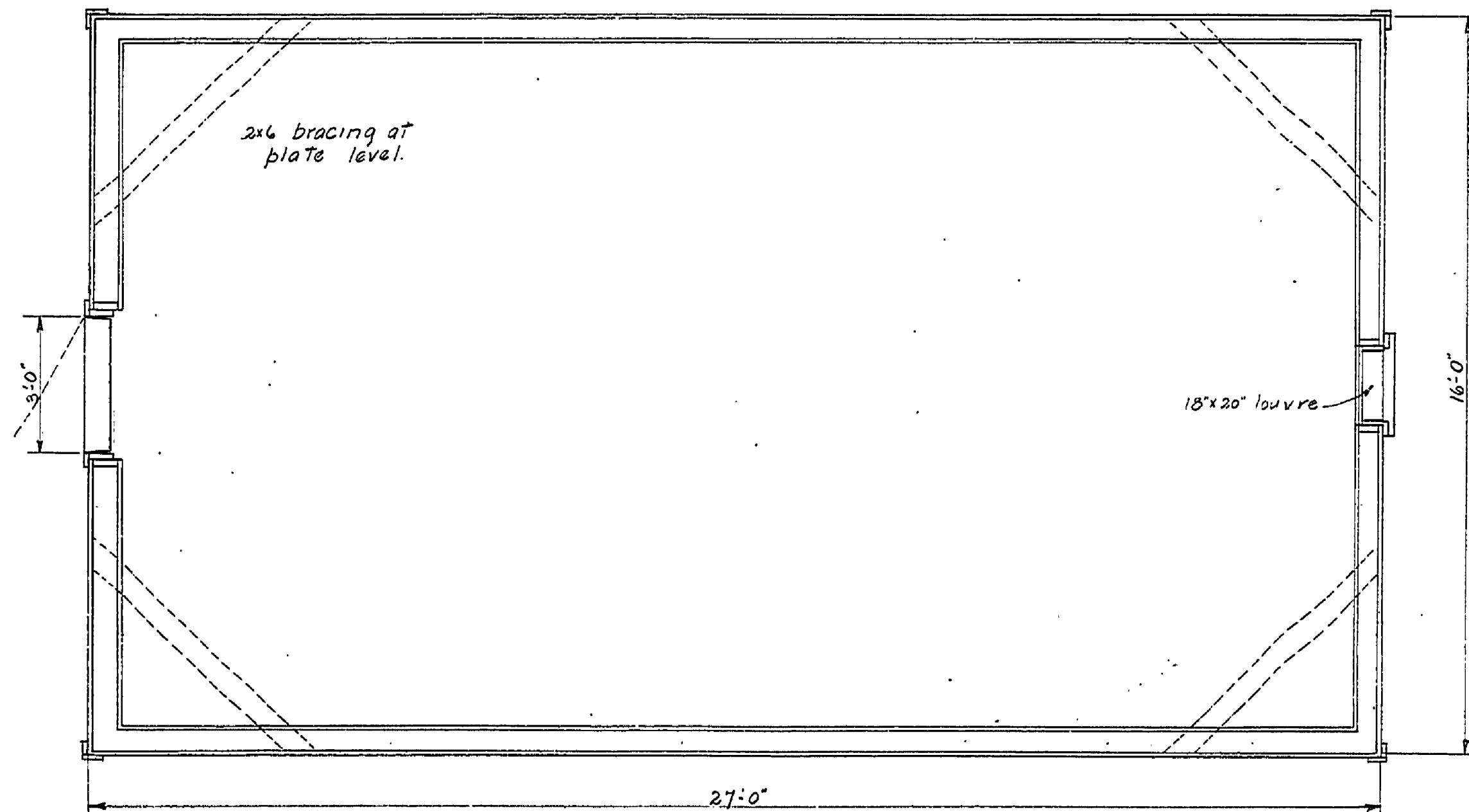
SIDE ELEVATION  
Scale 3/8"=1'-0"



SECTION A-A  
Scale 2"=1'-0"



CROSS SECTION  
Scale 1/2"=1'-0"



PLAN  
Scale 3/8"=1'-0"

NOTE  
Exterior to be covered with creosote stain.

A-104

INSURANCE No. 5

DEPARTMENT OF THE INTERIOR NATIONAL PARK SERVICE And MICHIGAN DEPARTMENT OF CONSERVATION CO - OPERATING			
BRANCH OF PLANNING		STATE PARK DIVISION	
SYMBOL	CAMP WELLS SRN0.9		SHEET NO.
NUMBER	ICE HOUSE		1 of 1
DRAWN BY	J.W. WELLS STATE PARK		FILE NO.
CHECKED		DESIGNED	R.C. CHRISTIAN
DATE	PROJECT SUPERINTENDENT	DATE	6-2-35
RECOMMENDED FOR CONSTRUCTION	SUBMITTED	SUPT. OF STATE PARKS	
DATE	FIFTH REGIONAL INSPECTOR	DATE	
APPROVED FOR CONSTRUCTION	APPROVED	MICH. CONSERVATION COMM'N.	
DATE	FIFTH REGIONAL OFFICER N.P.S.	DATE	