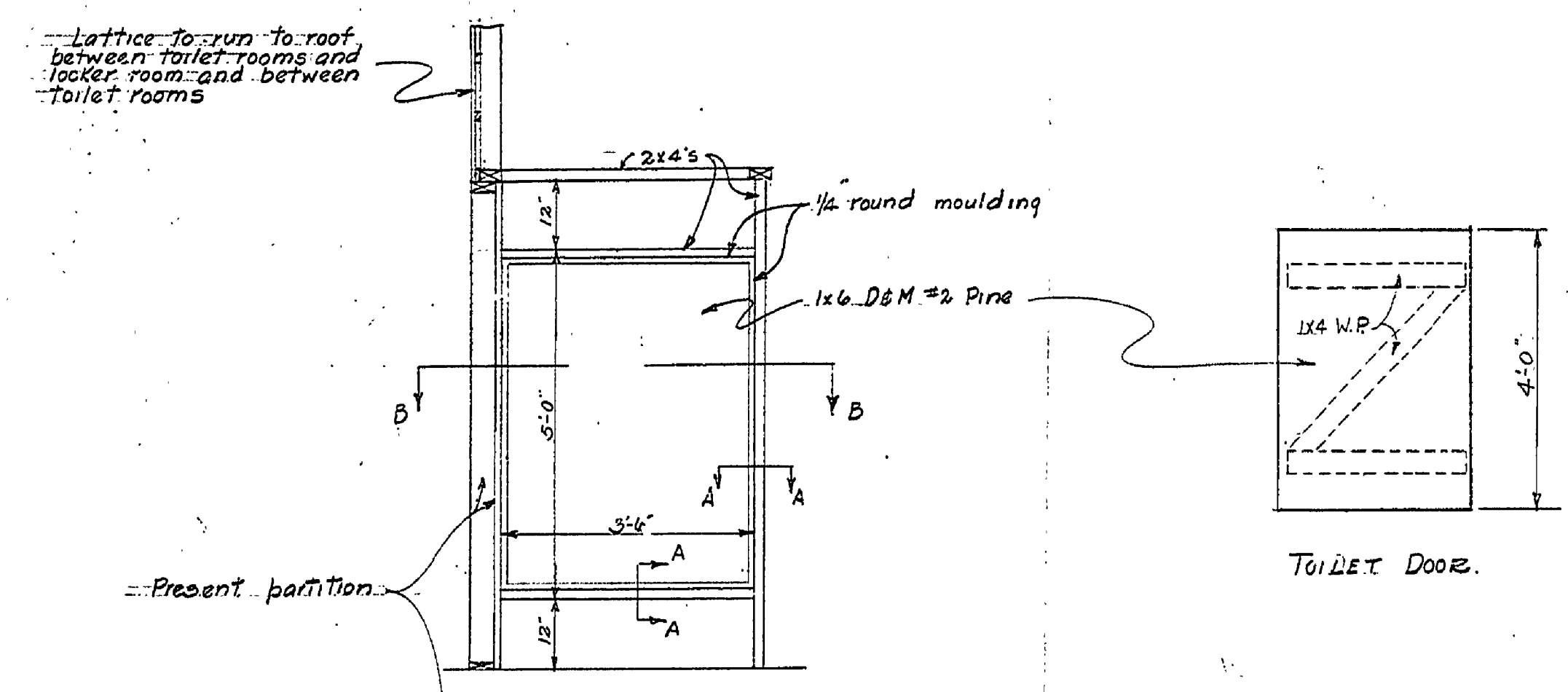
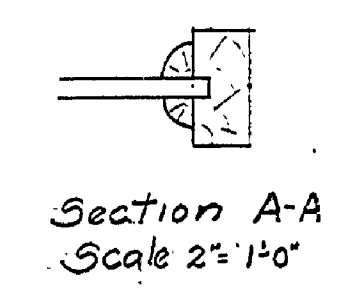


FIRST FLOOR PLAN.
Scale 1/2"=1'-0"

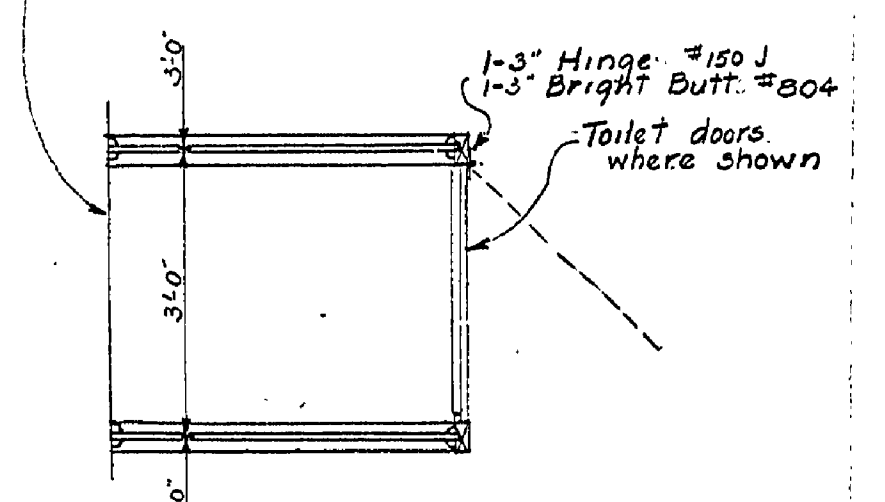


ELEVATION

TOILET DOOR.



Section A-A
Scale 2"=1'-0"



PLAN Section B-B
TOILET PARTITIONS
Scale 1/2"=1'-0"

TO GREEN BAY OF LAKE MICHIGAN.

DEPARTMENT OF THE INTERIOR NATIONAL PARK SERVICE			
And MICHIGAN DEPARTMENT OF CONSERVATION CO-OPERATING			
BRANCH OF PLANNING		STATE PARK DIVISION	
SYMBOL [B]	CAMP WELLS S.P. NO. 9	SHEET NO. 1 OF 1	
NUMBER 106	PLUMBING LAYOUT FOR BATH HOUSE	FILE NO.	
DRAWN BY E.C.C.	J.W. WELLS STATE PARK		
CHECKED BY [Signature]	DESIGNED BY R.C. CHRISTIAN		
DATE 5/20/35	PROJECT SUPERVISOR DATE 5-20-35		
RECOMMENDED FOR CONSTRUCTION	SUBMITTED BY		
DATE	FIELD REGIONAL INSPECTOR	DATE	SUP'T OF STATE PARKS
APPROVED FOR CONSTRUCTION	APPROVED BY		
DATE	FIELD REGIONAL OFFICER N.P.S.	DATE	MICH. CONSERVATION COM'N.

E-77