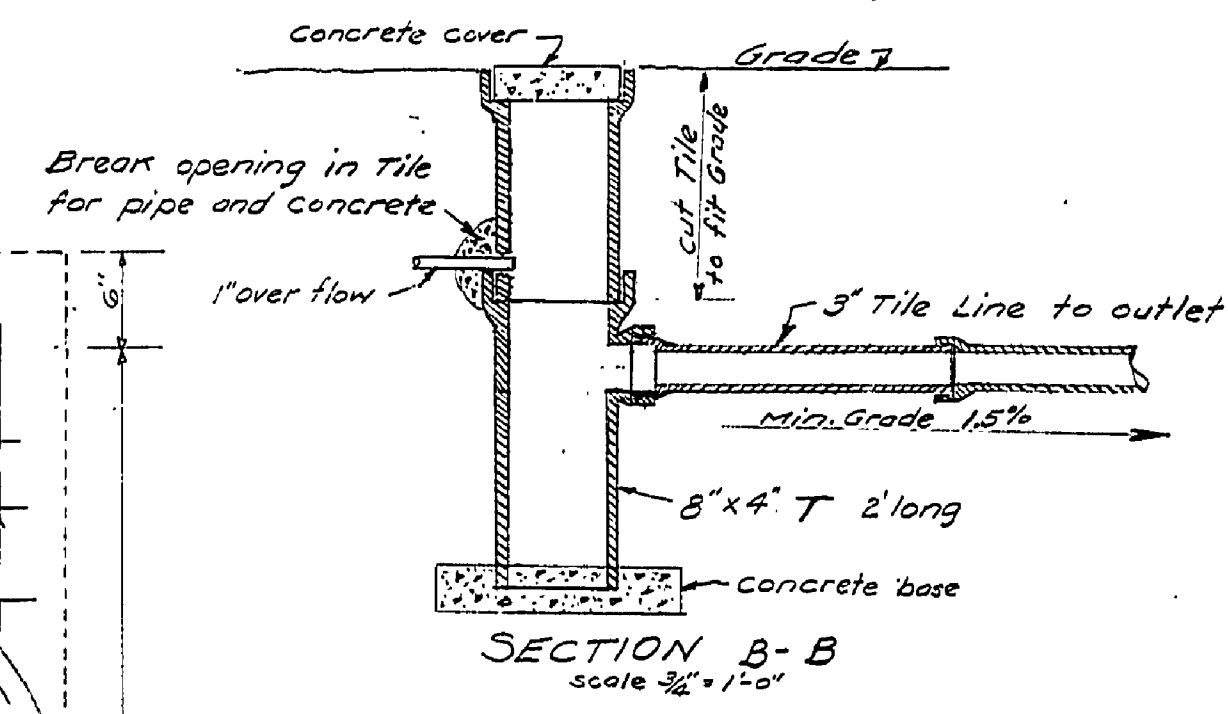
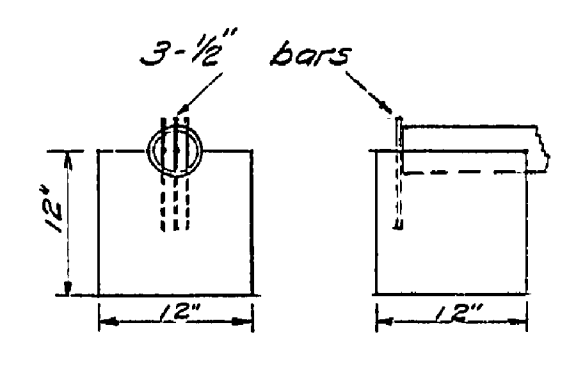


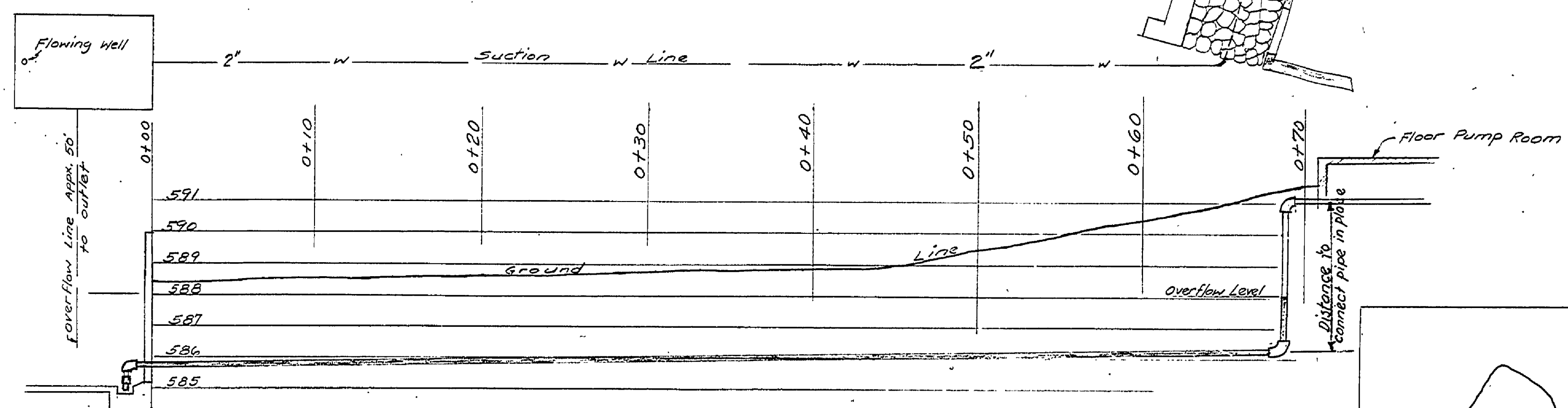
PLAN OF STORAGE TANK
Showing Steel in cover slab
Scale 1" = 1'-0"



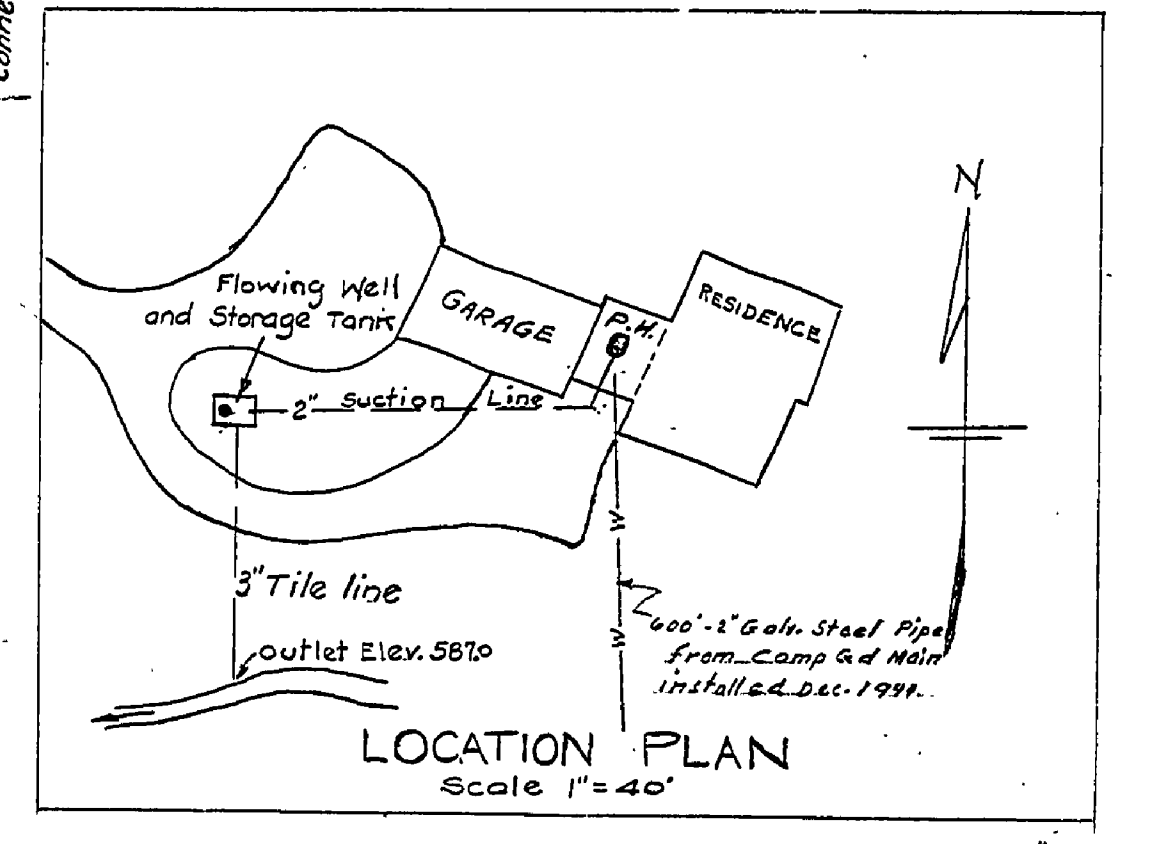
SECTION B-B
Scale 1/2" = 1'-0"



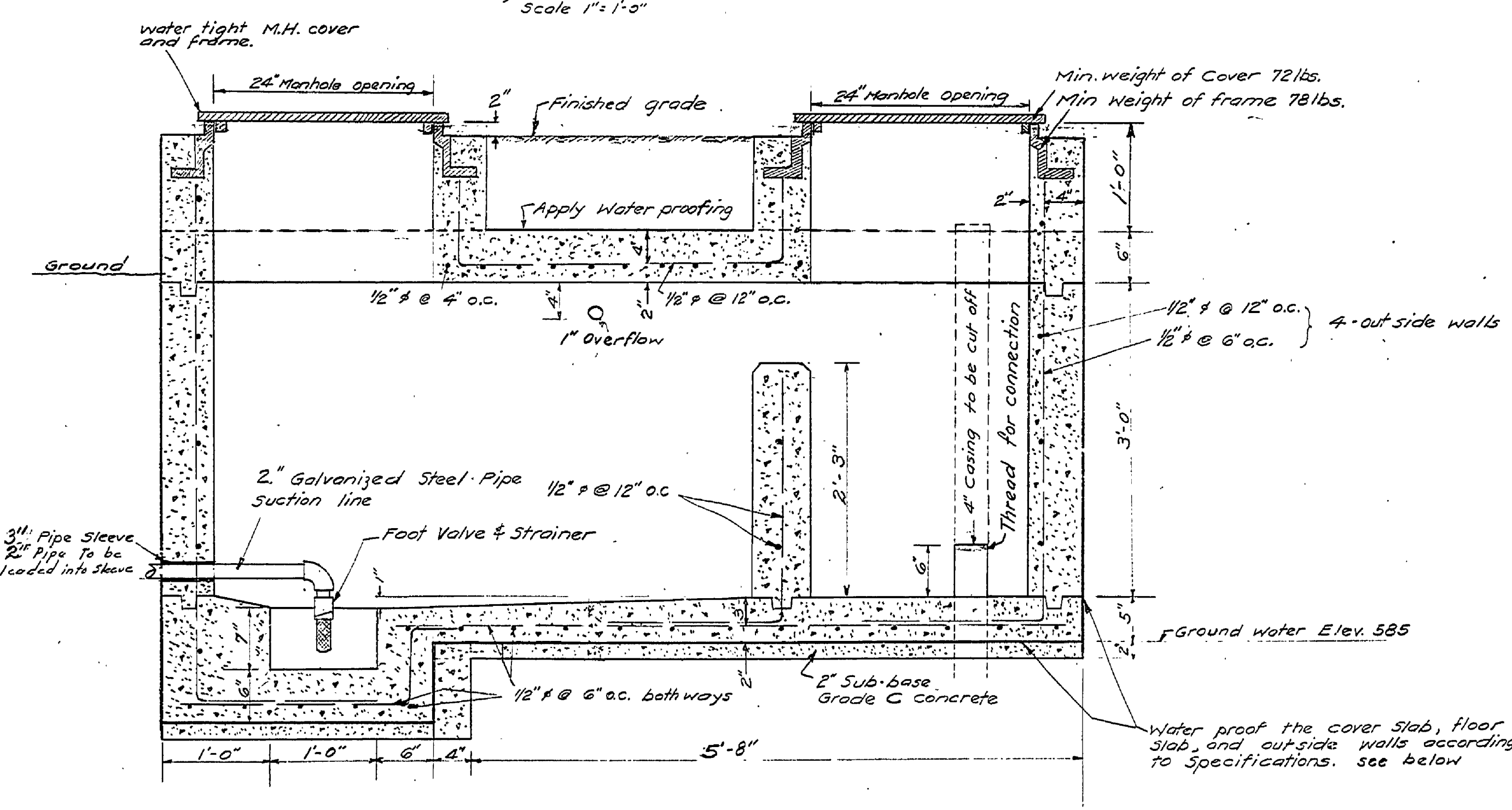
CONCRETE HEADER
To be placed at end of
tile line



PLAN AND PROFILE OF SUCTION LINE
Horizontal Scale 1" = 6'
Vertical Scale 1" = 3'



LOCATION PLAN
Scale 1" = 40'



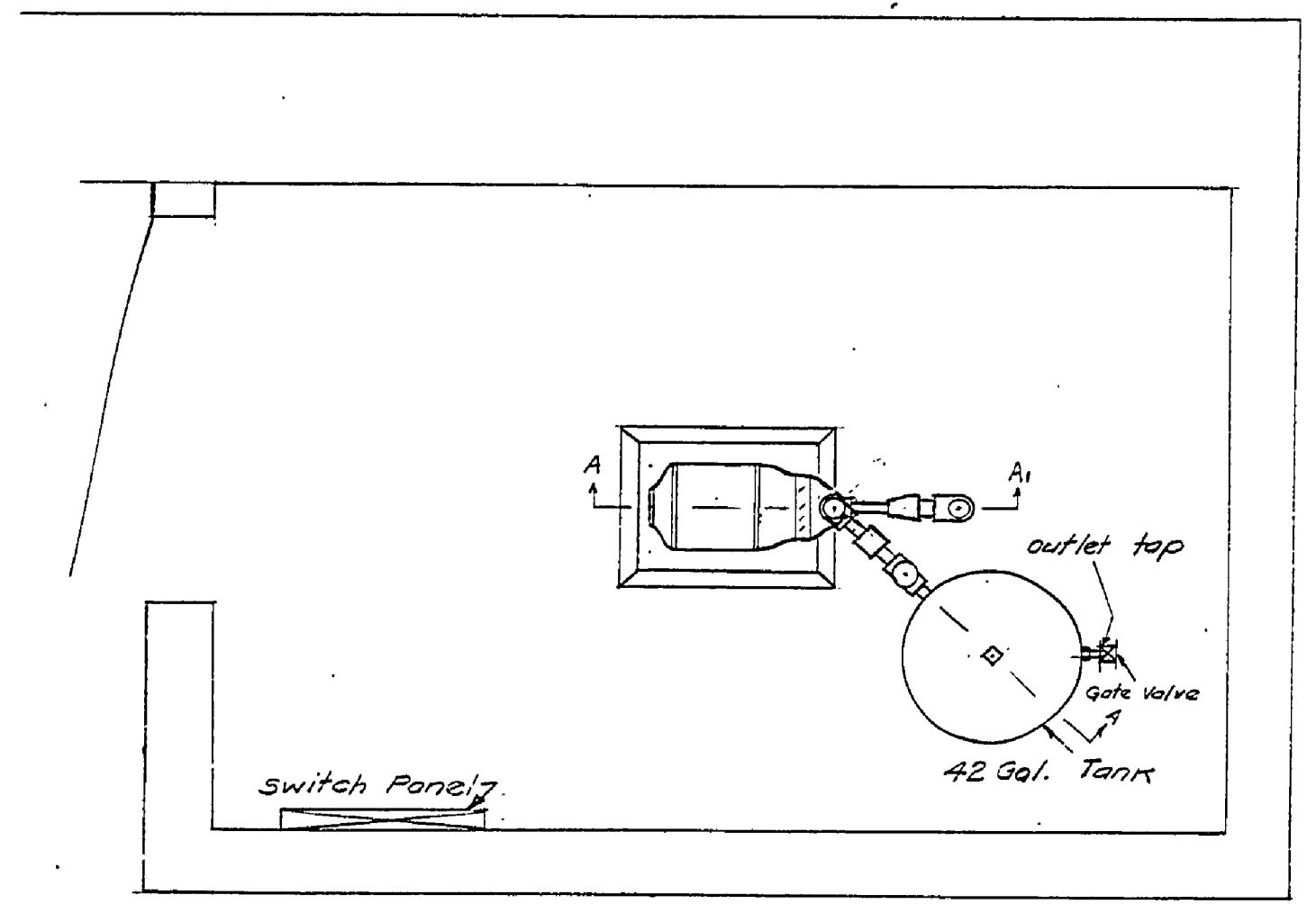
SECTION A-A
Scale 1/2" = 1'-0"

SPECIFICATIONS

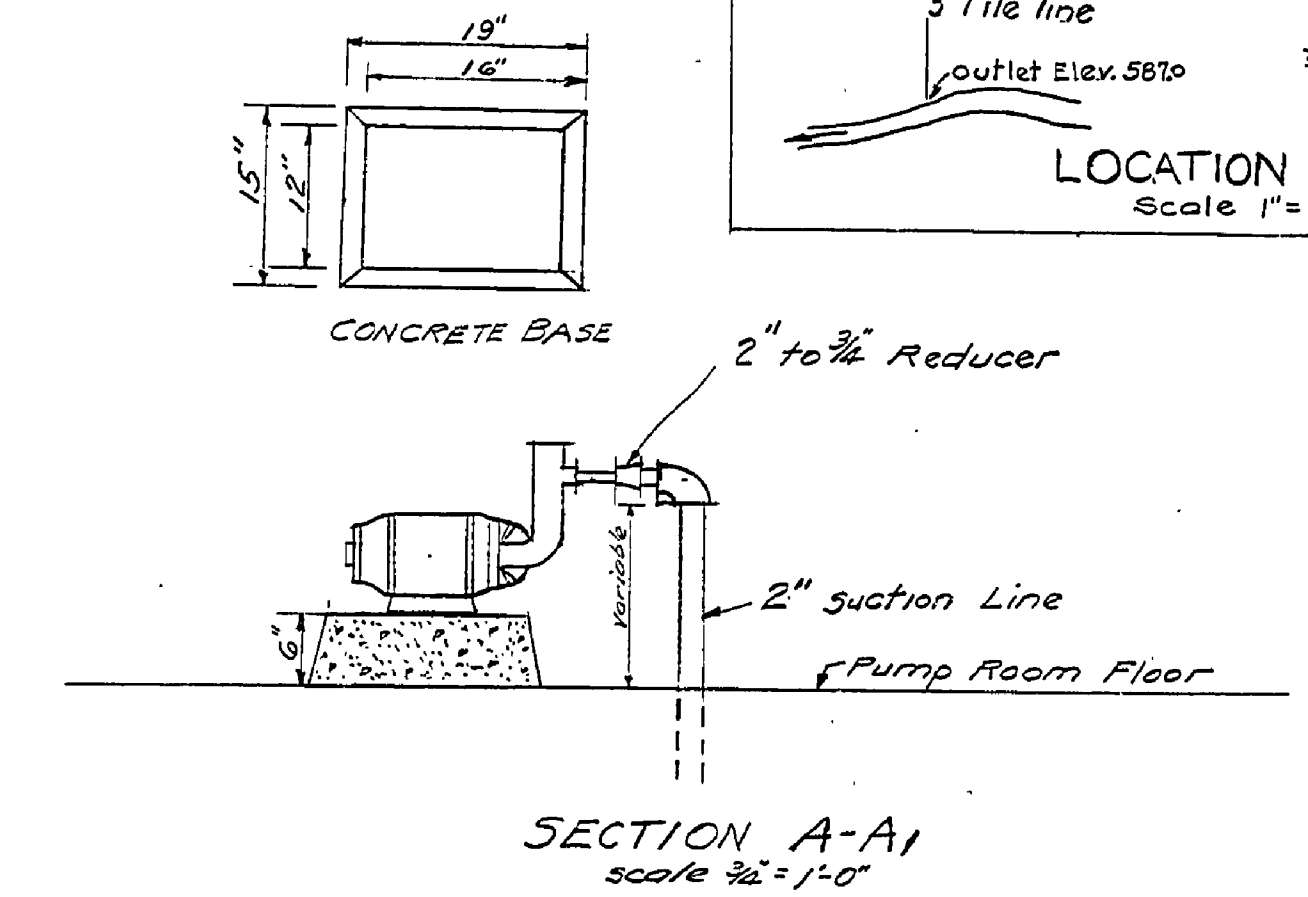
CONCRETE— The mix shall consist of 1 sack of cement, 2.8 cu ft of fine aggregate, 4.75 cu ft of coarse aggregate, and enough water to make a workable mix but not to exceed 6 gallons or 1 sack of cement, 6.5 cu ft of coarse aggregate, and enough water to make a workable mix but not to exceed 6 gallons.

WATERPROOFING— Where shown on plans, apply a two-ply membrane waterproofing as per the following specifications:
Preparation of surface: Surface to be waterproofed shall be reasonably smooth, free from projections or holes which might puncture the membrane. Surfaces shall be dry and cleaned before application of hot pitch.

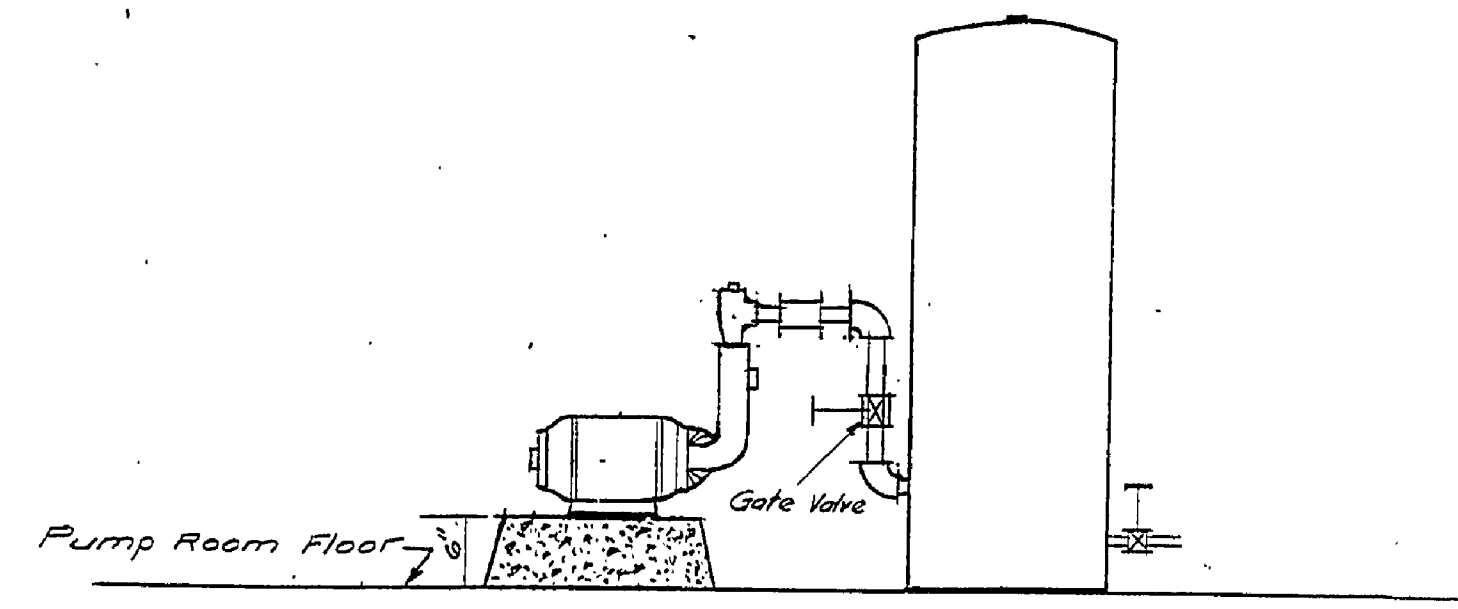
APPLICATION OF WATERPROOFING— Begin by mopping thoroughly a strip of concrete with waterproofing pitch. Immediately after press first strip of fabric into the hot pitch so that it is smoothly and firmly bonded to concrete. Then mop the edge of the first strip of fabric and adjacent strip of concrete with waterproofing pitch and press the next strip of fabric so it forms a two inch lap with the first strip. Repeat above application until one ply of fabric with two inch laps has been laid over portion to be waterproofed. For application of second ply begin by mopping the first layer of fabric with hot pitch so that all threads of fabric are completely covered by pitch and into this press a strip of fabric which has been cut at the joints in order to break joints. Repeat the above application until two plies of fabric has been laid over the surface. Then cover the entire surface with waterproofing pitch so that fabric is not exposed in any place. All fabric shall be rolled or pressed into the hot pitch and laid free from wrinkles, buckles or links. Pitch shall not heated over 375° F. Fabric shall be a 15 lb. per saturated open mesh cotton fabric.



PLAN OF PUMP ROOM
Scale 1/2" = 1'-0"



SECTION A-A
Scale 1/2" = 1'-0"



SECTION A-A
Scale 1/2" = 1'-0"

MICHIGAN DEPARTMENT OF CONSERVATION		
UNITED STATES		
DEPARTMENT OF THE INTERIOR		
NATIONAL PARK SERVICE		
COOPERATING		
DRAWN BY L.S.M.	J.W. WELLS STATE PARK	PLAN NO.
DESIGNED BY L.S.M. & H.C.M.	RESIDENCE WATER SYSTEM	SCALE AS SHOWN
CHECKED BY	J.W. WELLS S.P. 9	DATE
PREPARED AND APPROVED BY [Signature]	CHIEF OF STATE PARKS	DATE 3-11-41
APPROVED BY	INSPECTOR	DATE