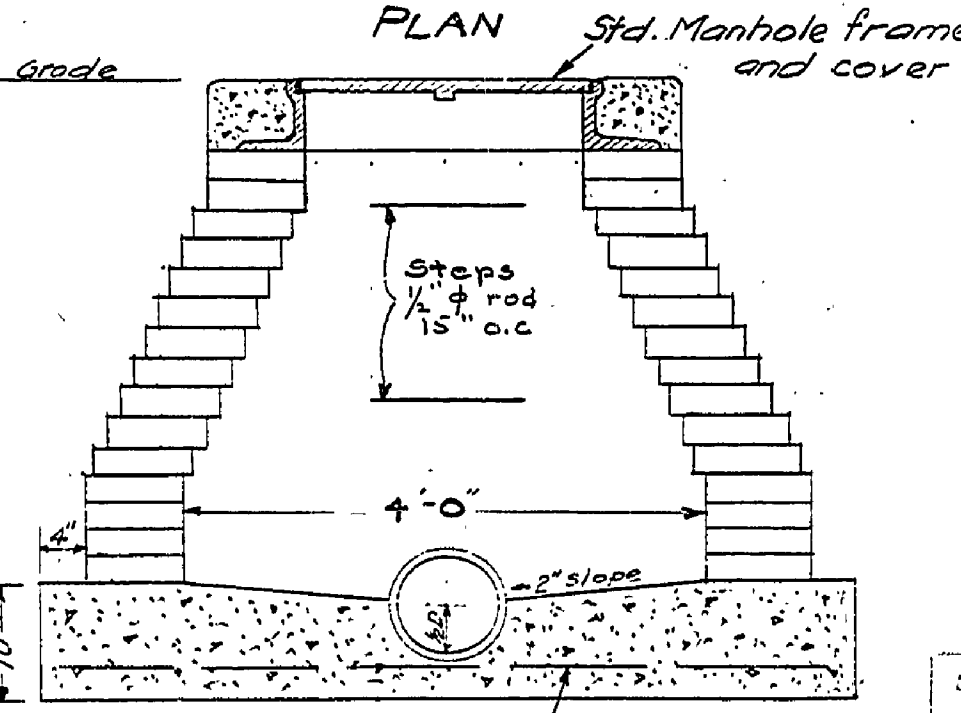
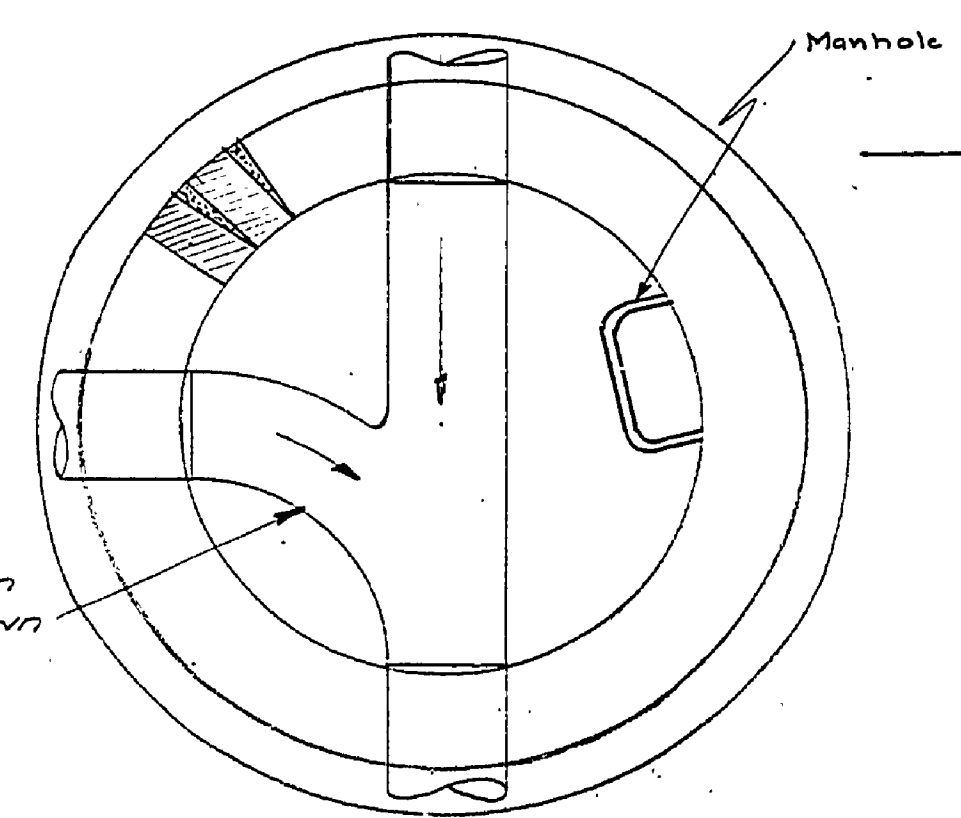
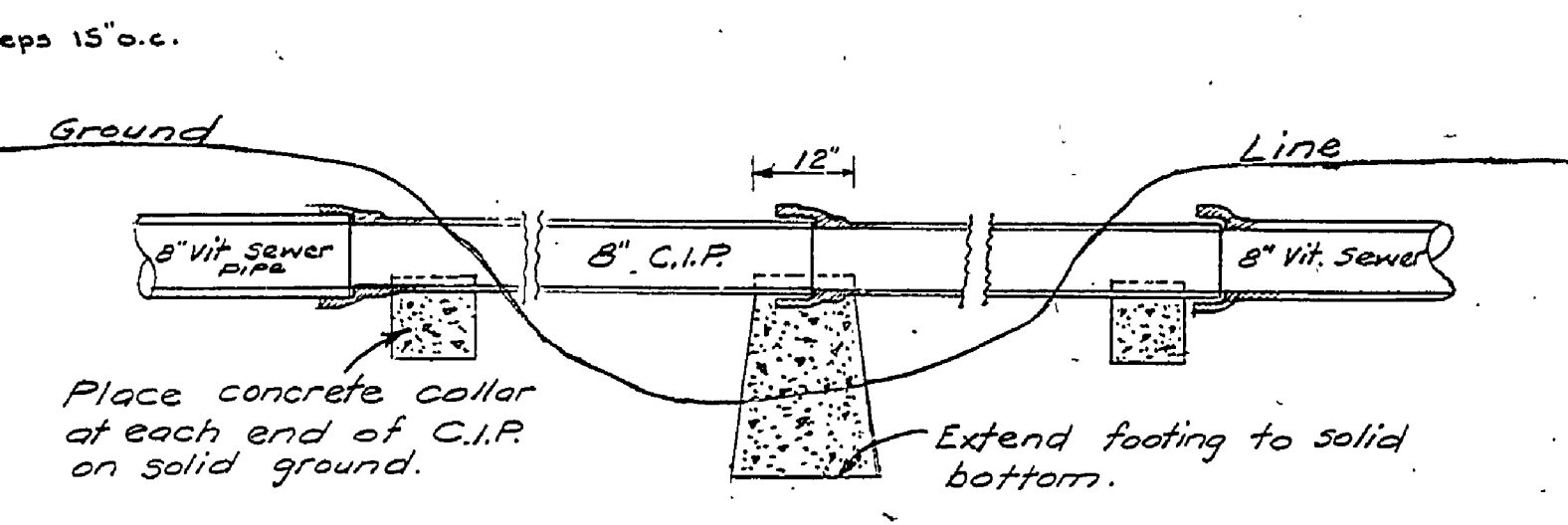
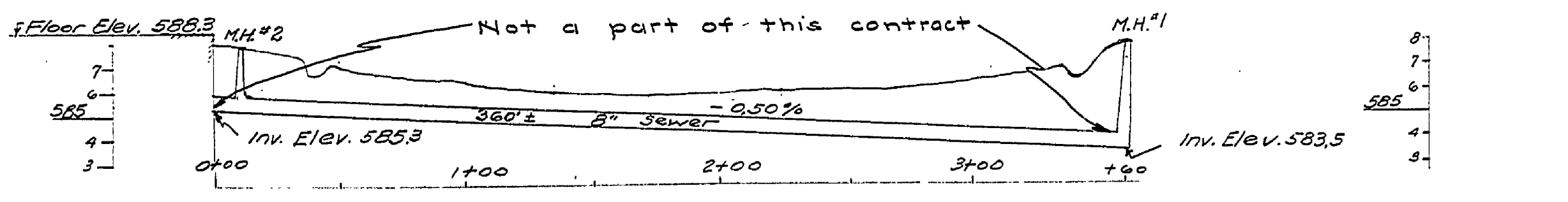
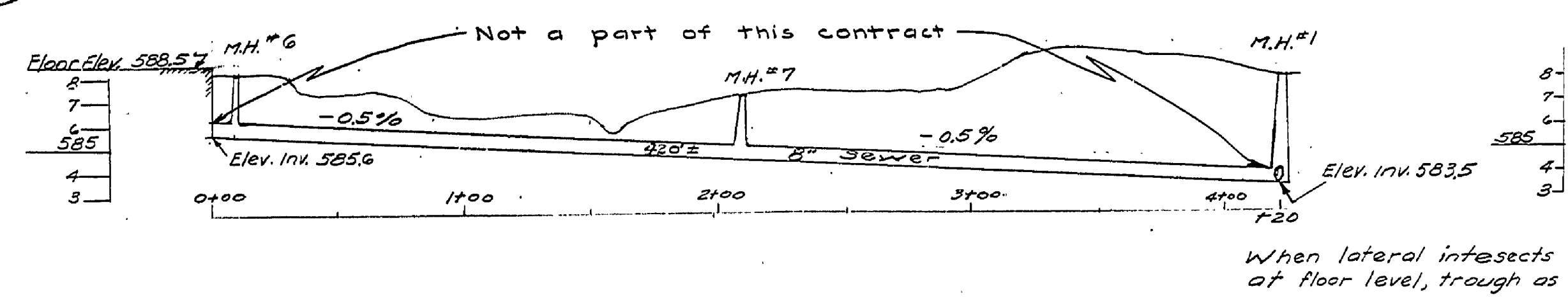
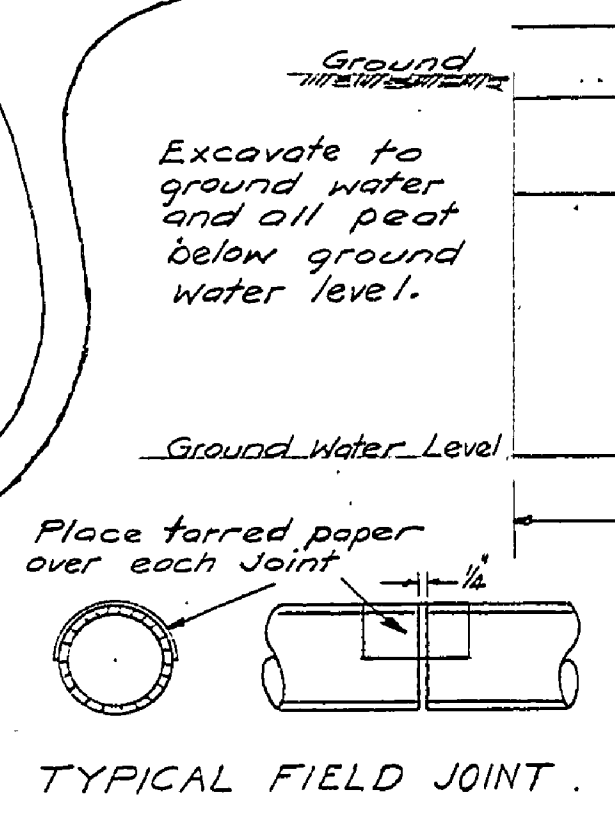
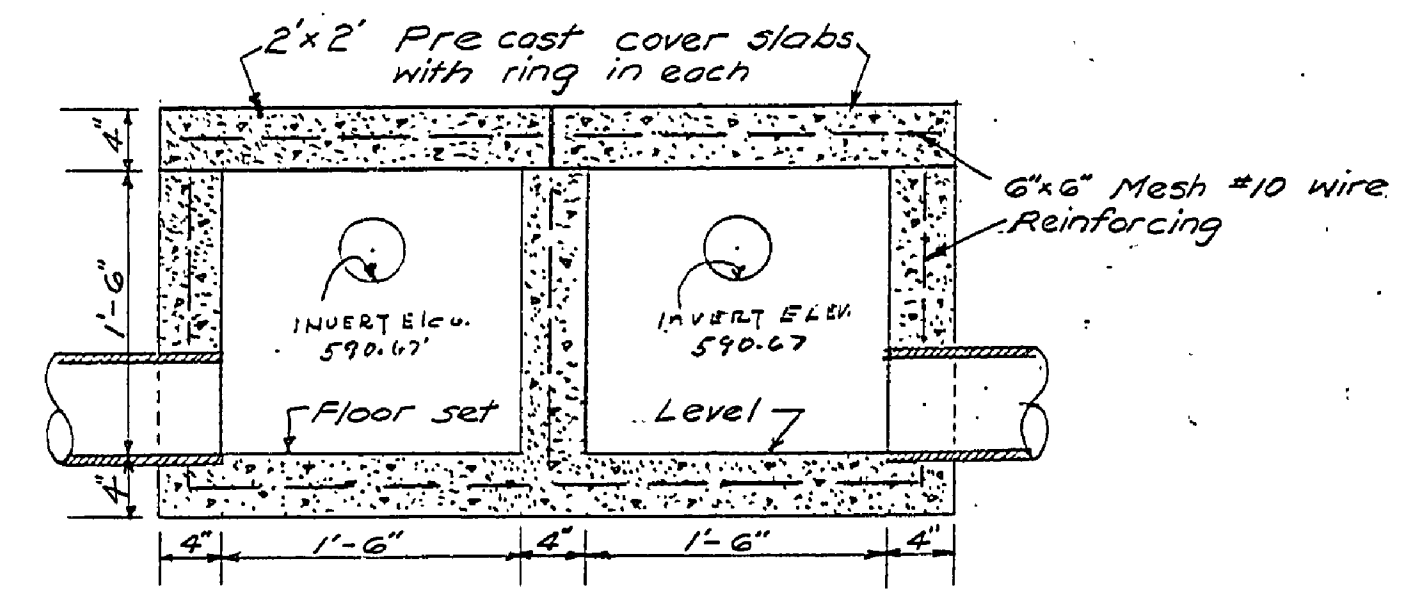
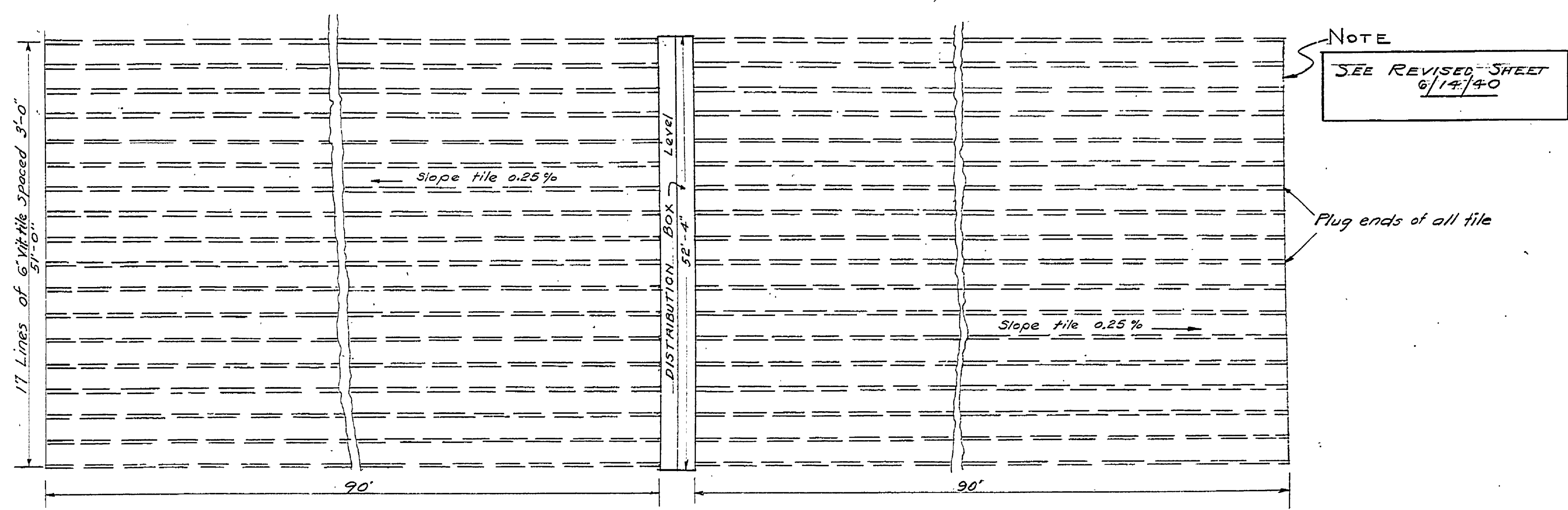
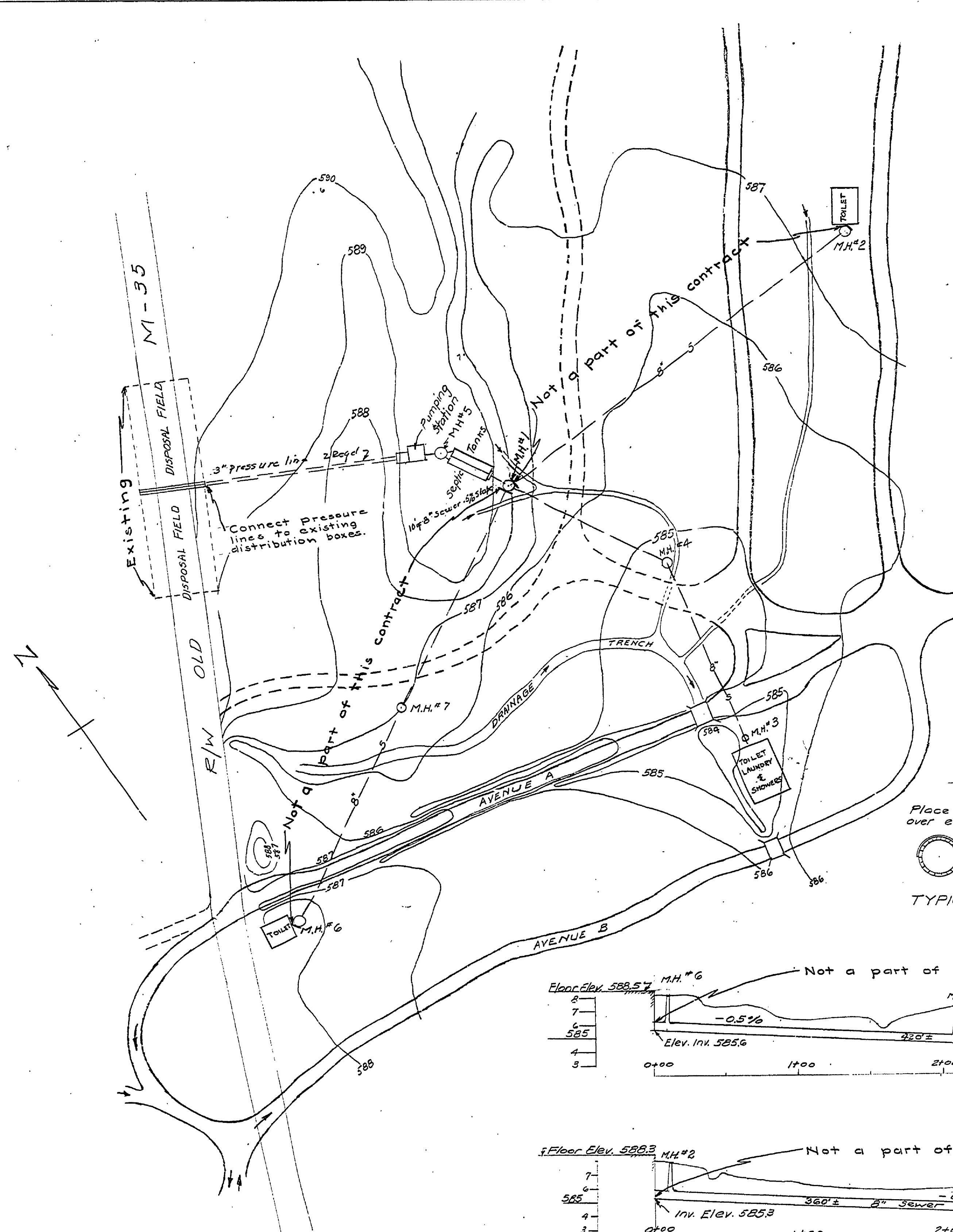
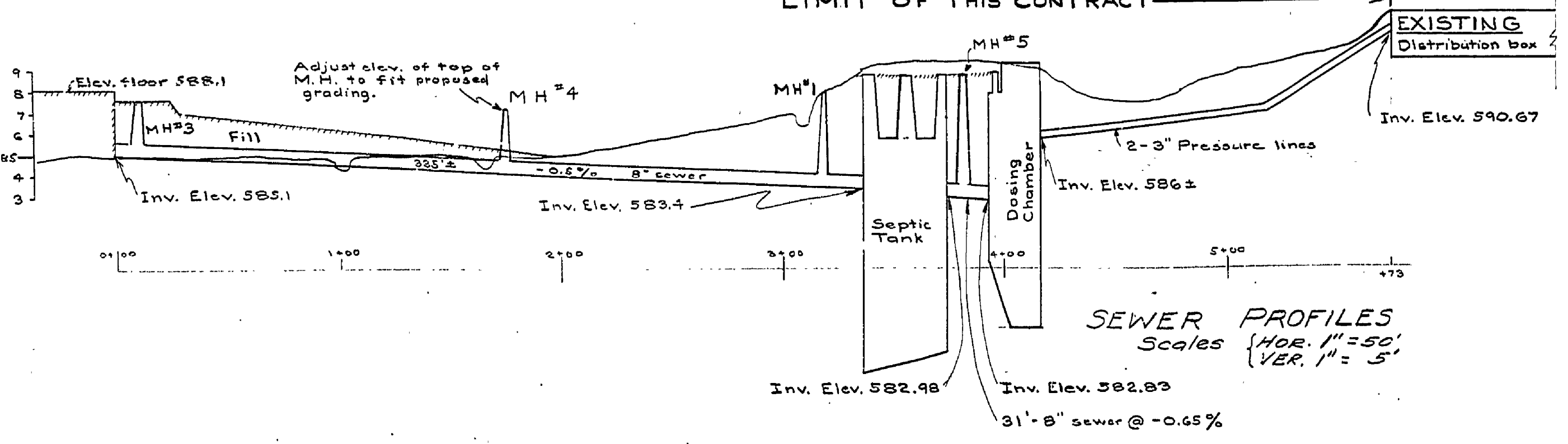


NO.	DATE	BY	REVISIONS	DATE	BY
1	12-11-40	J.W.W.	Revised to show limits of present contract, added profile from hillside		
2					
3					
4					
5					
6					



PLAN
Scale 1" = 60'-0"



MICHIGAN DEPT. OF CONSERVATION		UNITED STATES	
DEPARTMENT OF THE INTERIOR		NATIONAL PARK SERVICE	
- COOPERATING -			
DRAWN BY	J.W.WELLS STATE PARK	PLAN NO.	9085
DESIGNED BY	CAMP GROUND DISPOSAL SYSTEM	SHEET	#1 OF 2
CHECKED BY	J.W.WELLS MICHIGAN S.P.S.	SCALE	AS INDICATED
DATE	5/18/40	DATE	5/18/40
PREPARED & APPROVED BY	J.W.WELLS	DATE	5/18/40
DIVISION	CONSERVATION	DATE	5/18/40