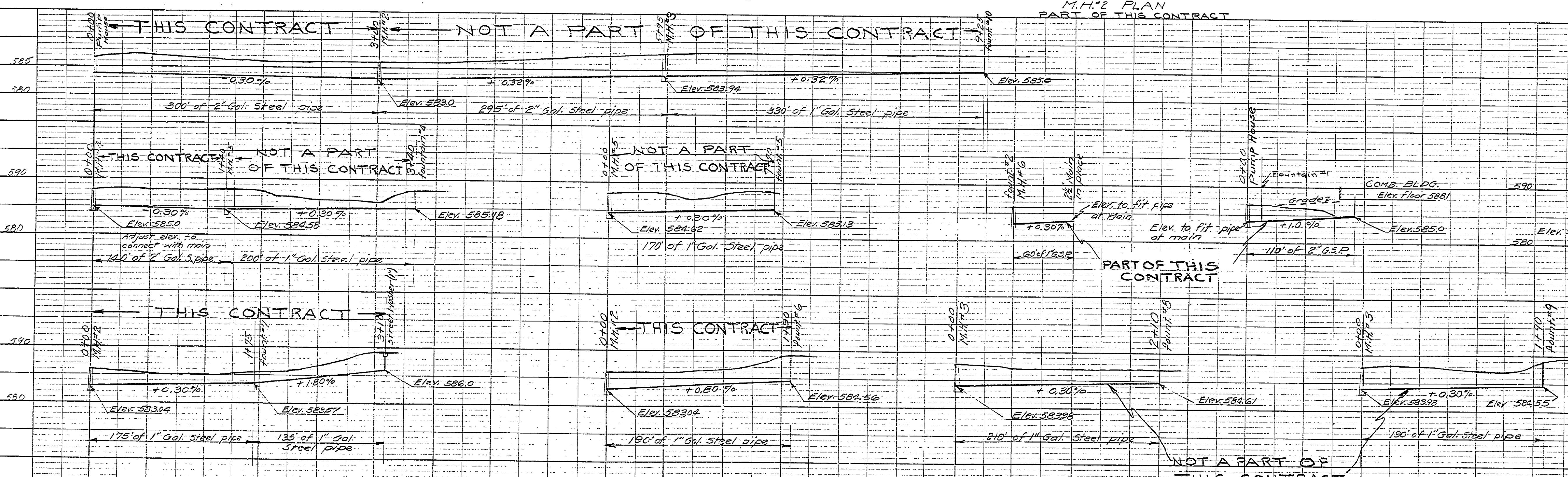
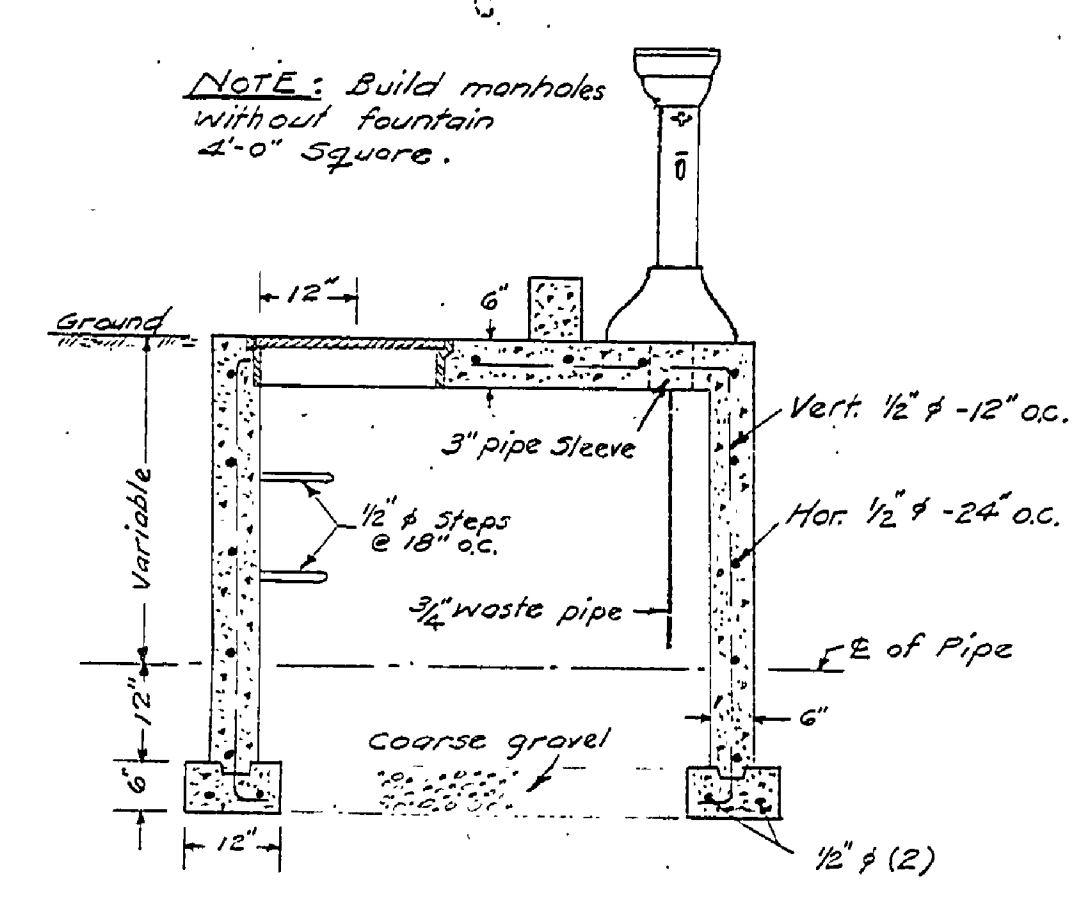
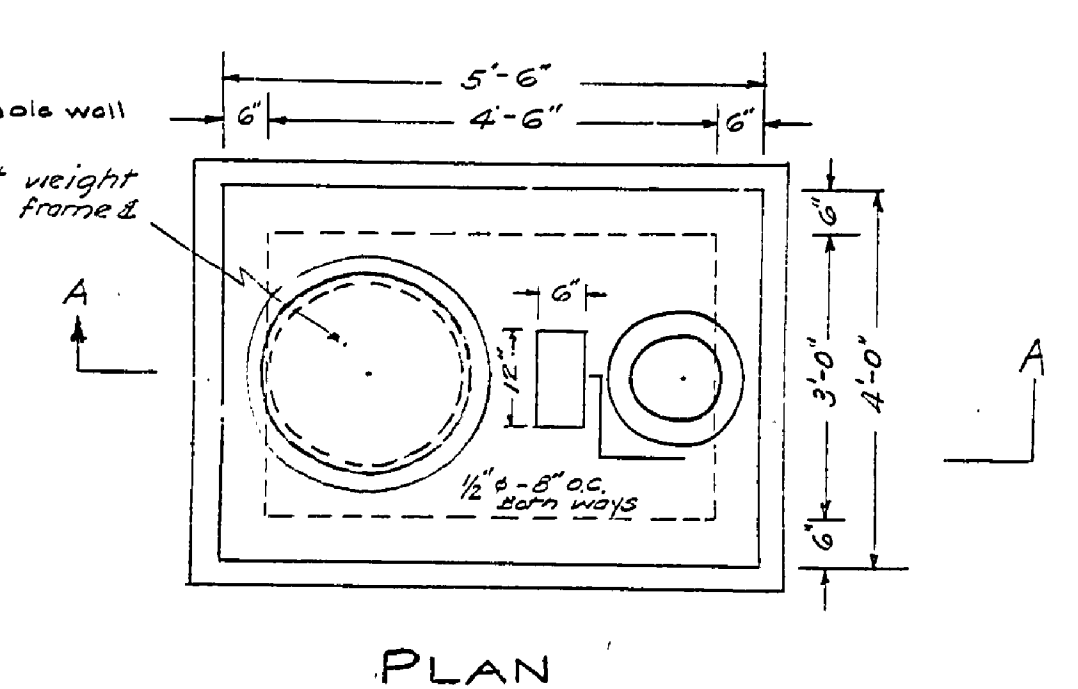
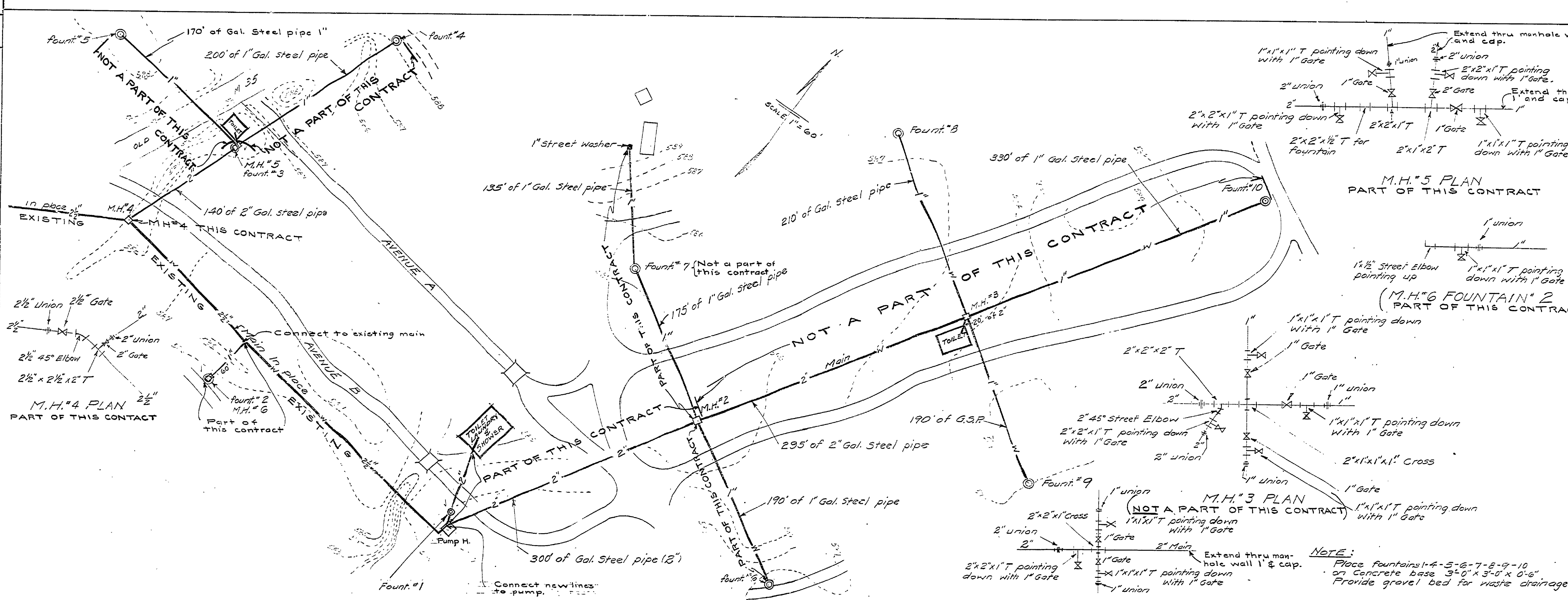


DATE BY	4	5	6
	REVISIONS		
NO	1	2	3
	DATE BY	27 Mar 44	2028
APPROVED BY	ASSISTANT CHIEF IN CHARGE	DATE	
	REVIEWED BY SECTIONS	ARCHITECTURAL	ENGINEERING
DRAWN BY	LSK	CHECKED BY	LSK
TRACED BY	LSK	DATE	13 Feb. 1941



SCALES
Hor. 1" = 60'
Ver. 1" = 10'

MICHIGAN DEPARTMENT OF CONSERVATION
UNITED STATES
DEPARTMENT OF THE INTERIOR
NATIONAL PARK SERVICE
COOPERATING

DRAWN BY LSK
DESIGNED LSK
CHECKED BY LSK

J.W. WELLS STATE PARK
CAMP GROUND
WATER SYSTEM

PREPARED AND APPROVED BY: CHIEF OF STATE PARKS
APPROVED BY: INSPECTOR

DATE: 2-15-41

PLATE 1-PLAN-PROFILE 3, R. R. STANDARD
100 WAS USED. NAME AND PHOTO IN U. S. A.
EUGENE DIETZEN ED.