

NO.	DATE	BY	REVISIONS
1	5-5-53	E.J.P.	Revised Electrical Layout & Controls
2			
3			

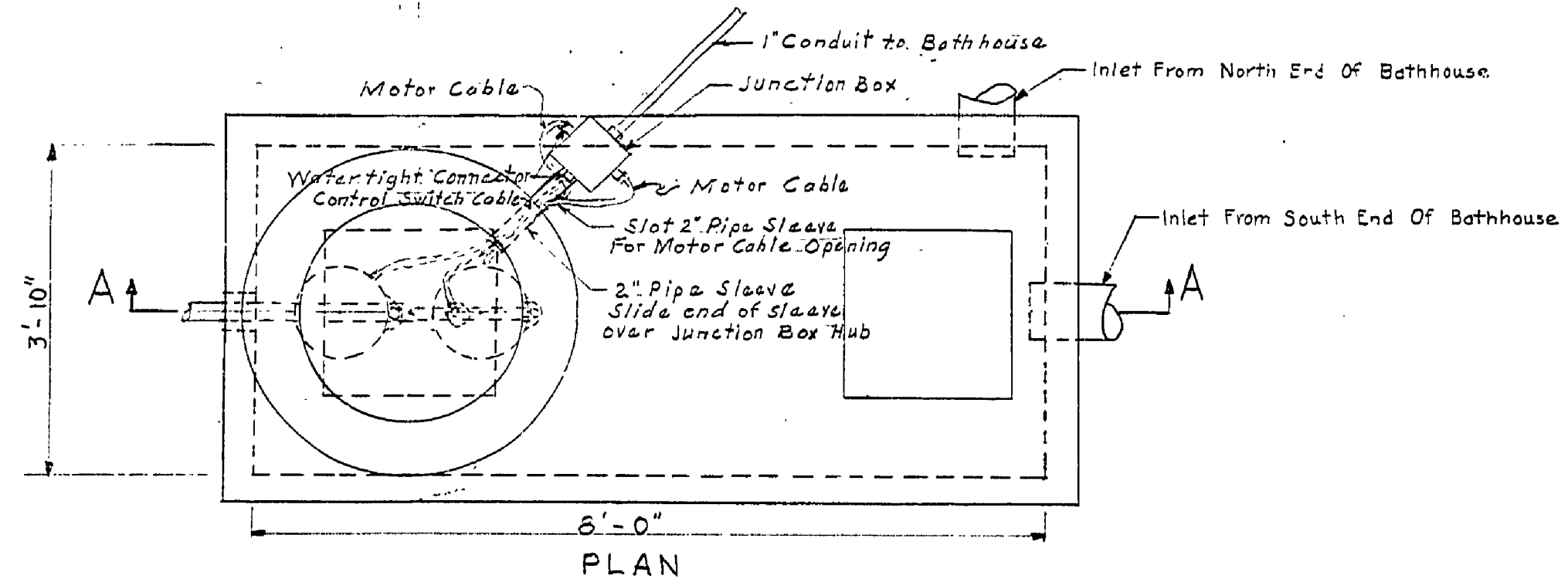
REVIEWED BY SECTIONS	DATE	APPROVED BY
ARCHITECTURAL	12-14-53	[Signature]
ENGINEERING	12-14-53	
LANDSCAPE	12-14-53	

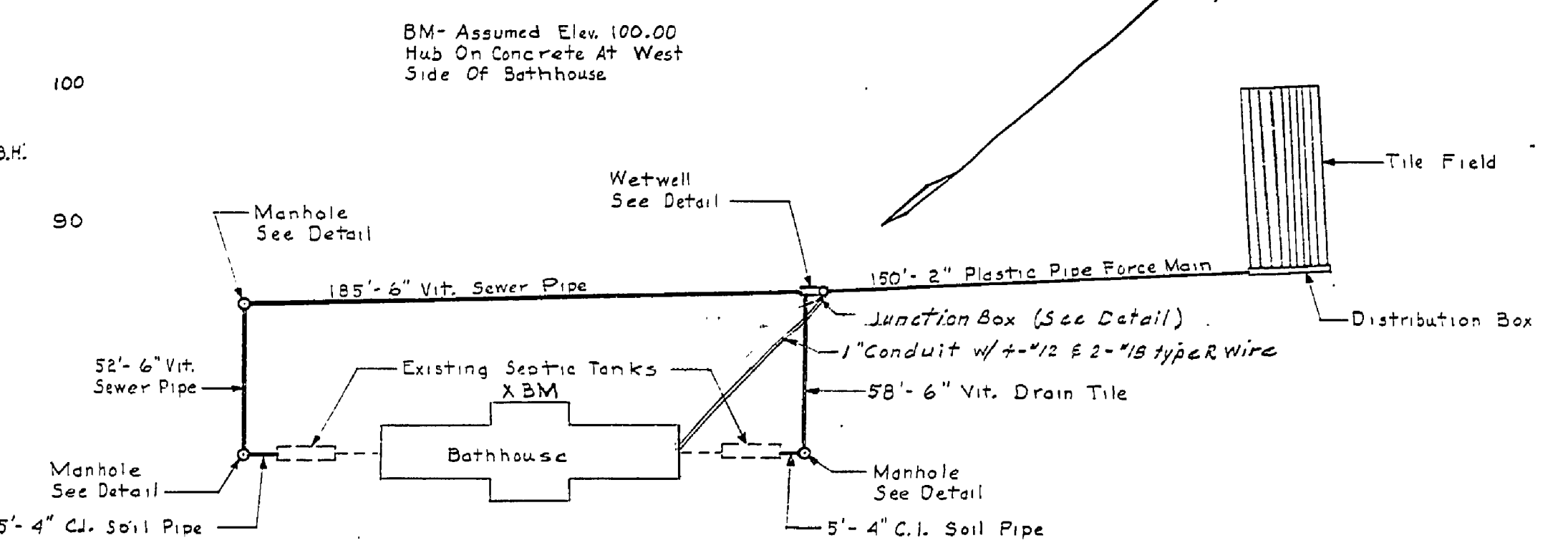
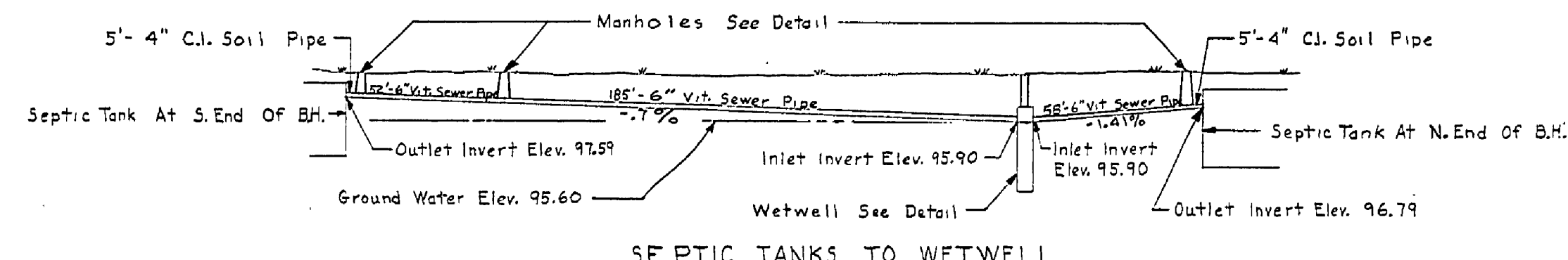
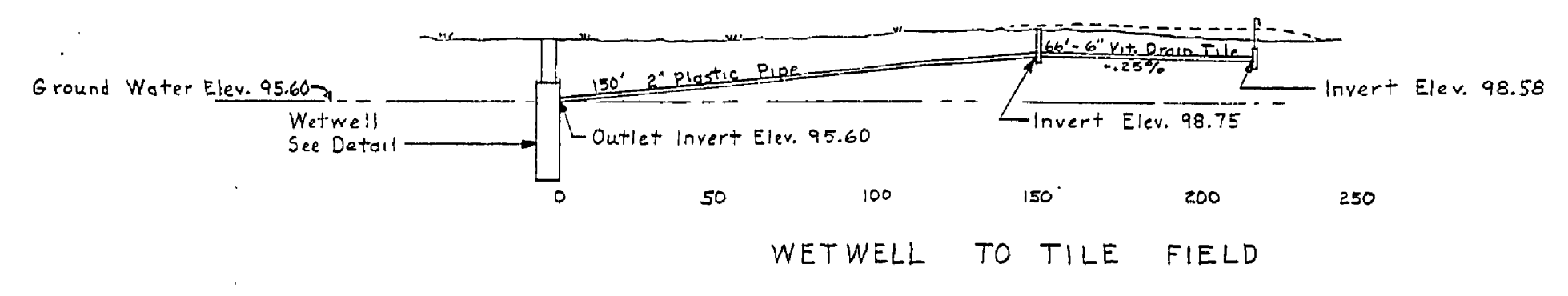
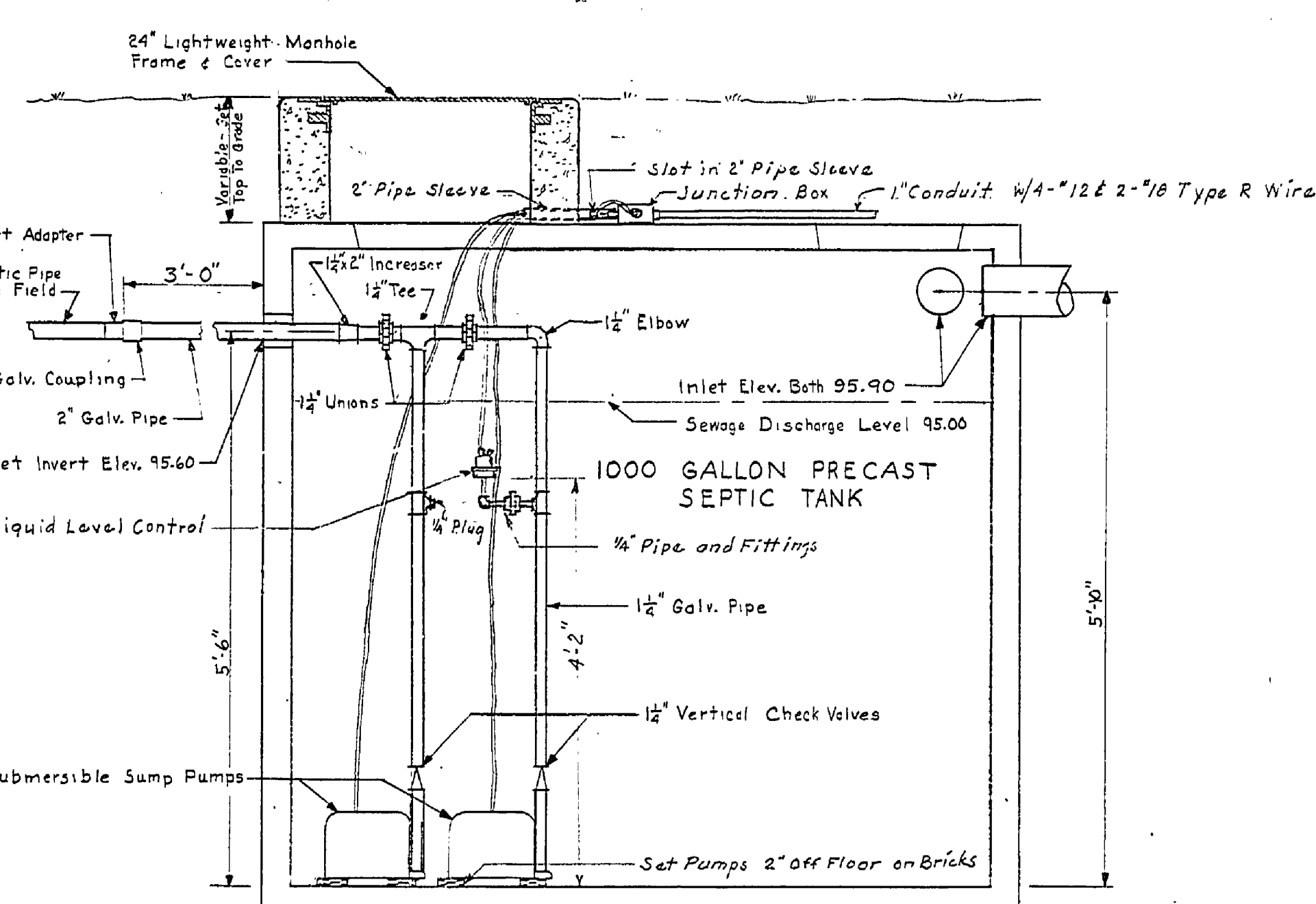
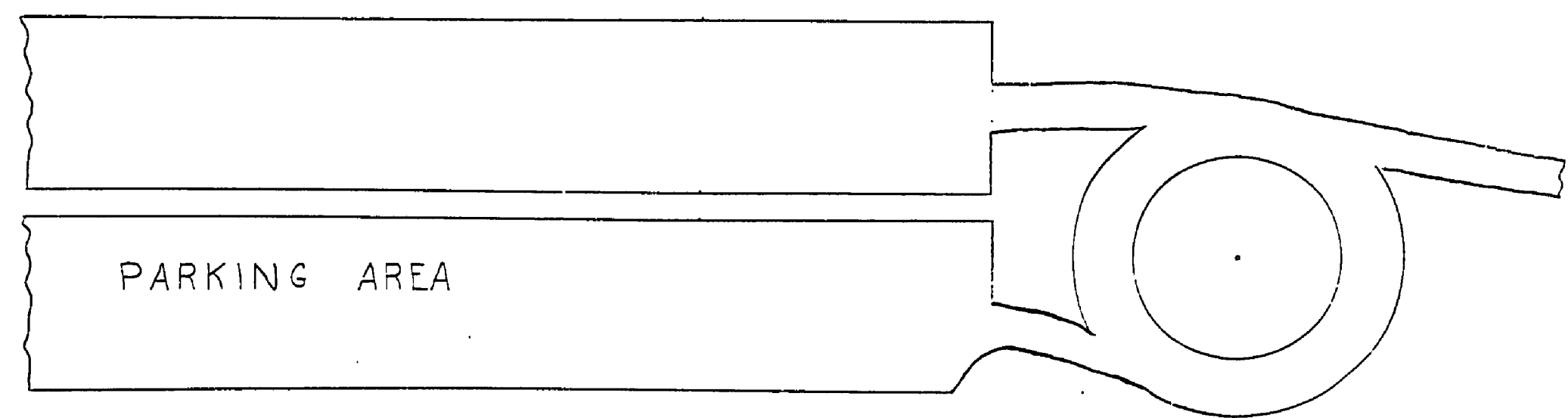
DRAWN BY	CHECKED BY	DATE
B.H.G.	E.J.P.	Nov. 30, 1953

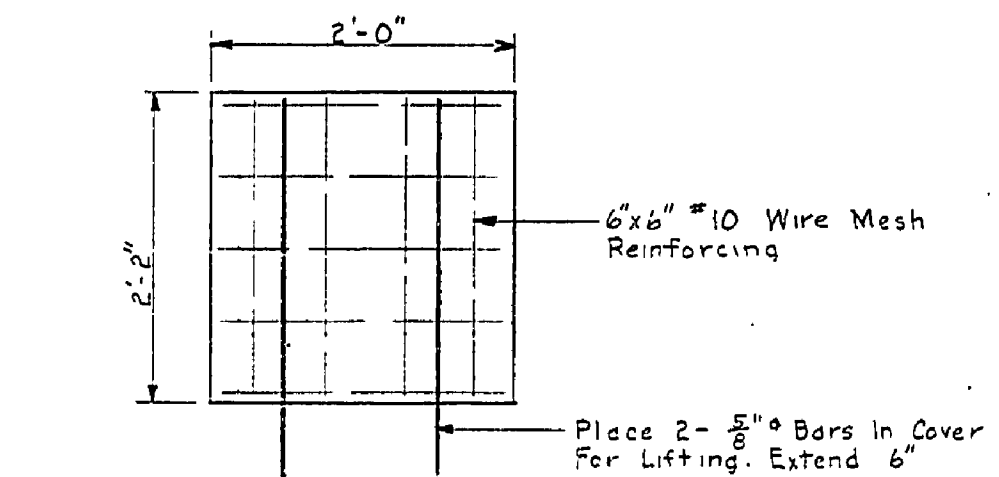
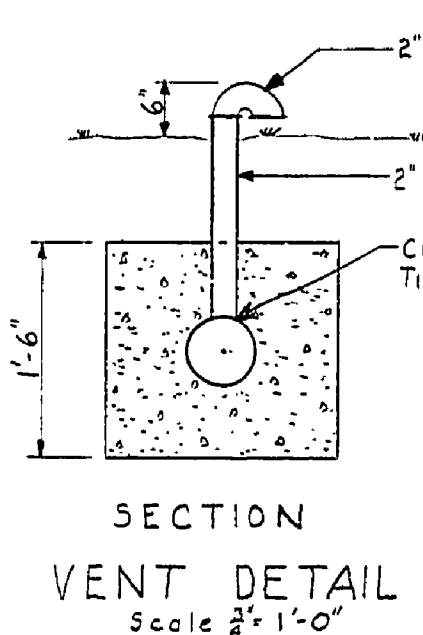
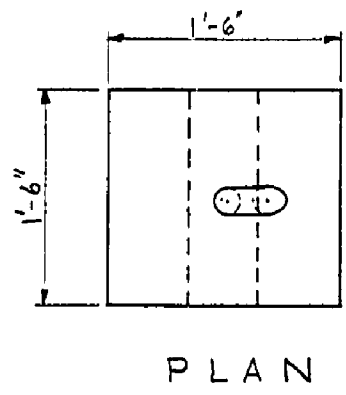
APPROVED BY	DATE	OF DESIGN
ASSISTANT CHIEF IN CHARGE	12-14-53	



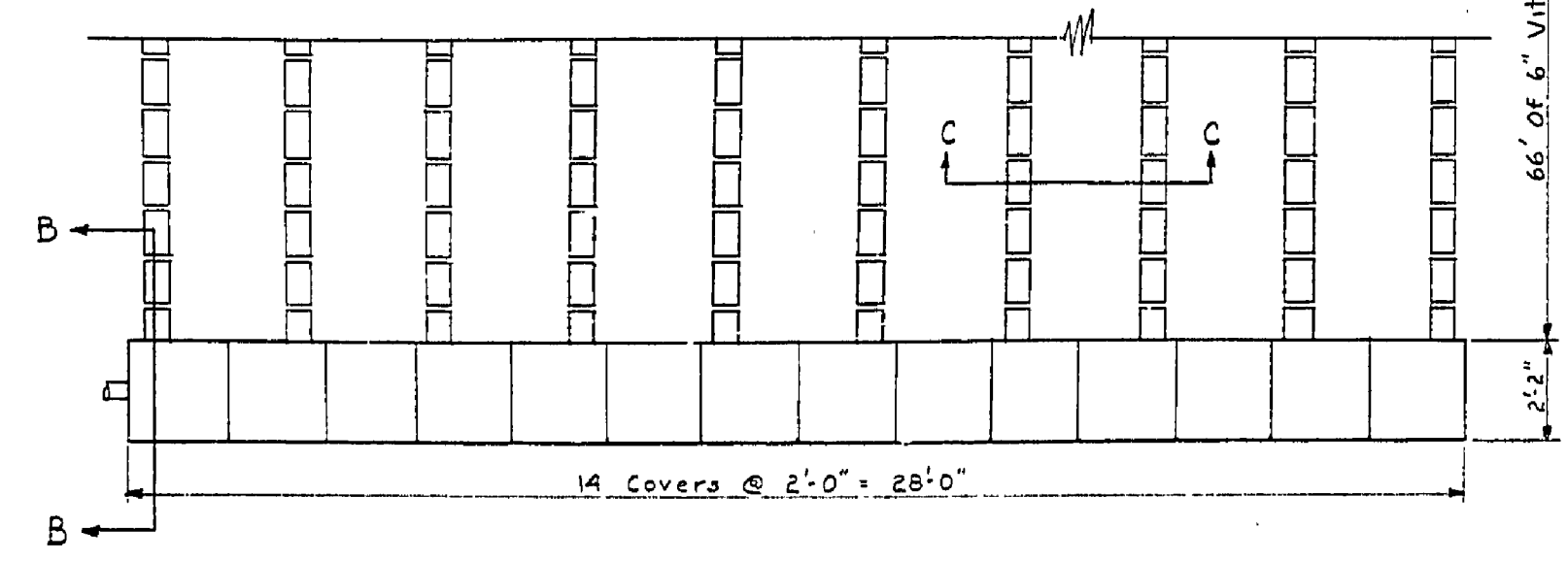
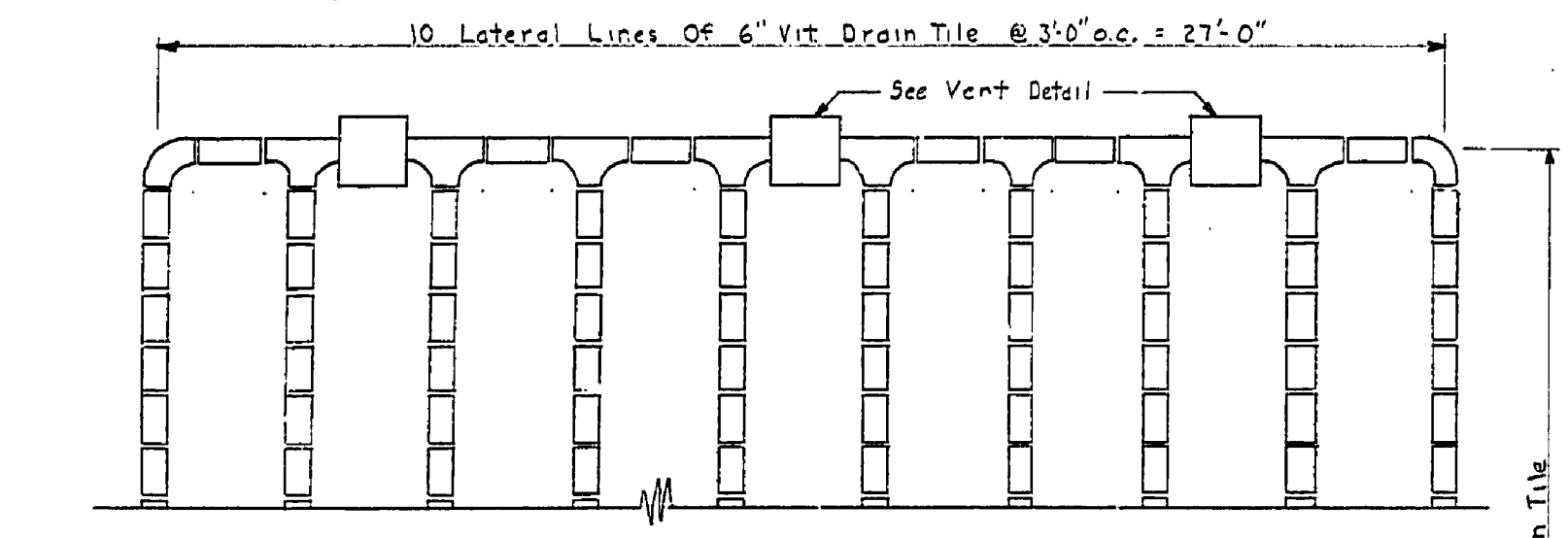
NOTES: Minimum Wall Thickness For 1000 Gallon Precast Septic Tank To Be 3". Give Precast Tank One Coat Of Bituminous Asphalt Paint Both Inside & Out



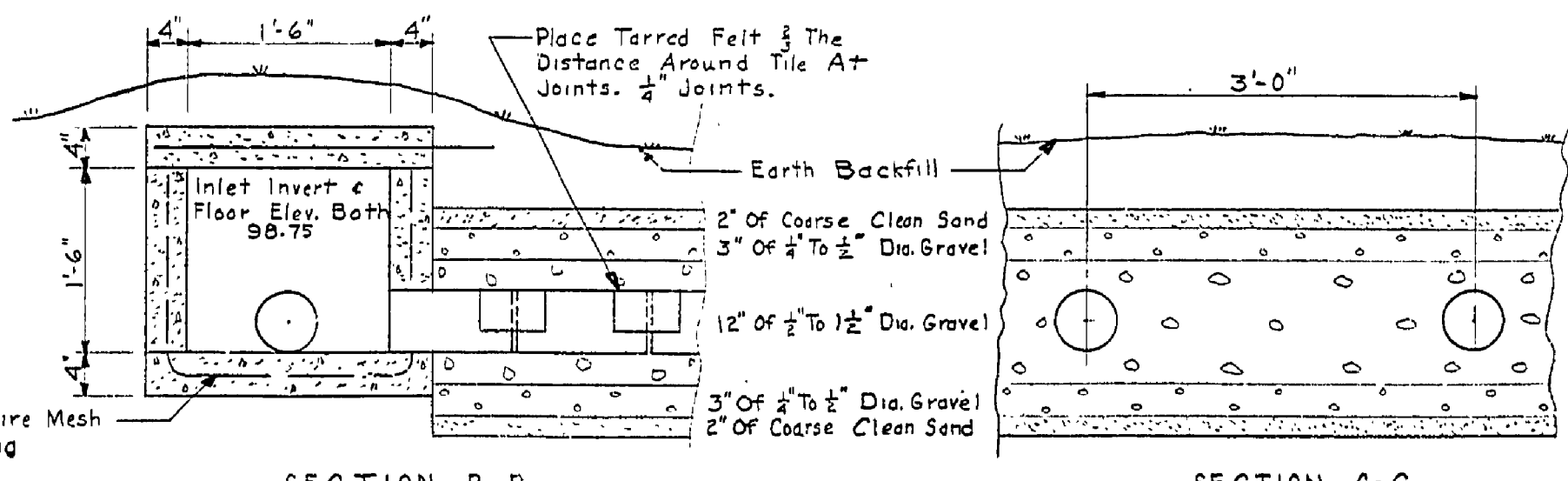
SECTION A-A  
WETWELL  
Scale 1/2" = 1'-0"



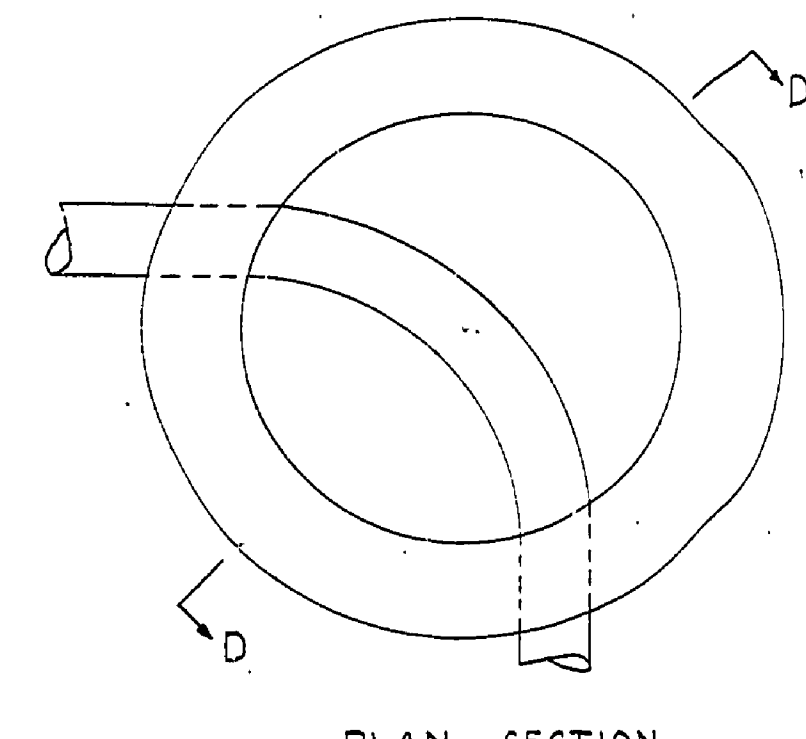
DISTRIBUTION BOX COVER  
Scale 1/2" = 1'-0"



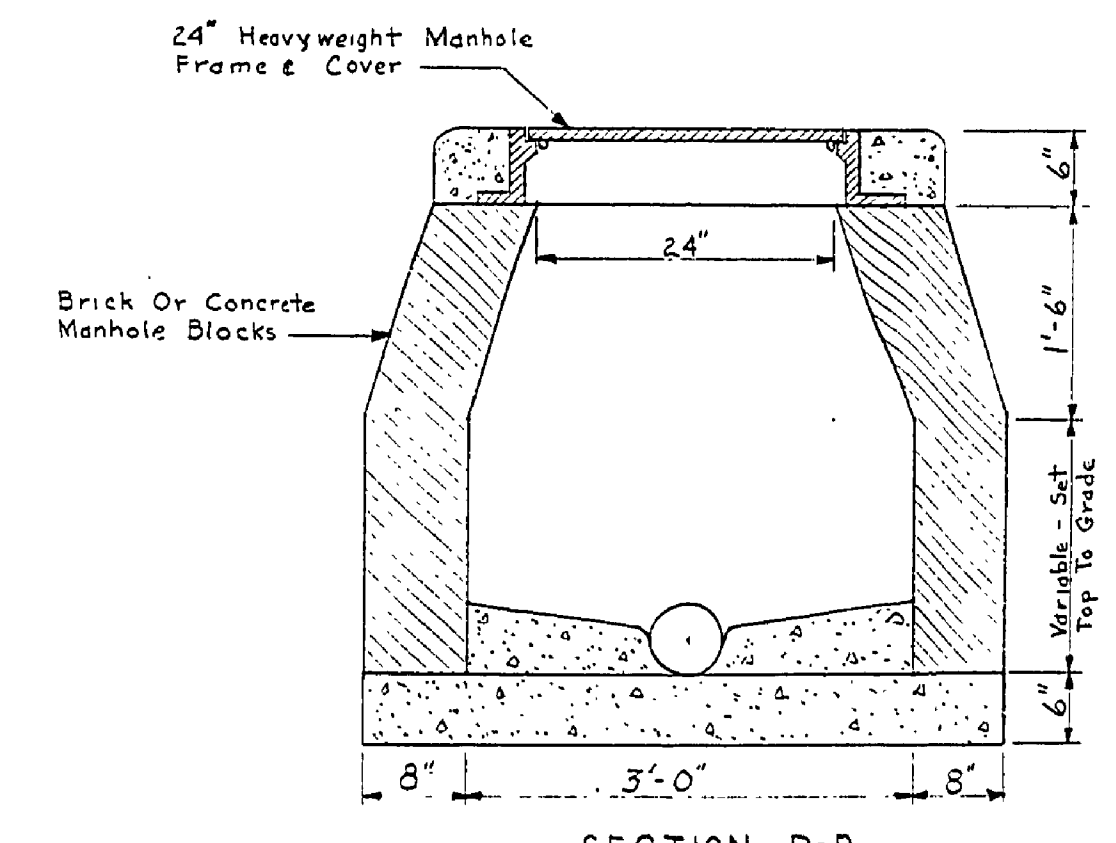
DISPOSAL FIELD  
Scale 1/2" = 1'-0"



ELEVATION OF DISPOSAL FIELD  
Scale 1/2" = 1'-0"



PLAN SECTION



MANHOLE DETAIL  
Scale 1/2" = 1'-0"

MICHIGAN  
DEPARTMENT OF CONSERVATION  
PARKS AND RECREATION DIVISION

J.W. WELLS STATE PARK  
BATHHOUSE SEWAGE DISPOSAL SYSTEM  
Scale As Shown

SHEET NO. 1 OF 1  
PLAN NO. E-100