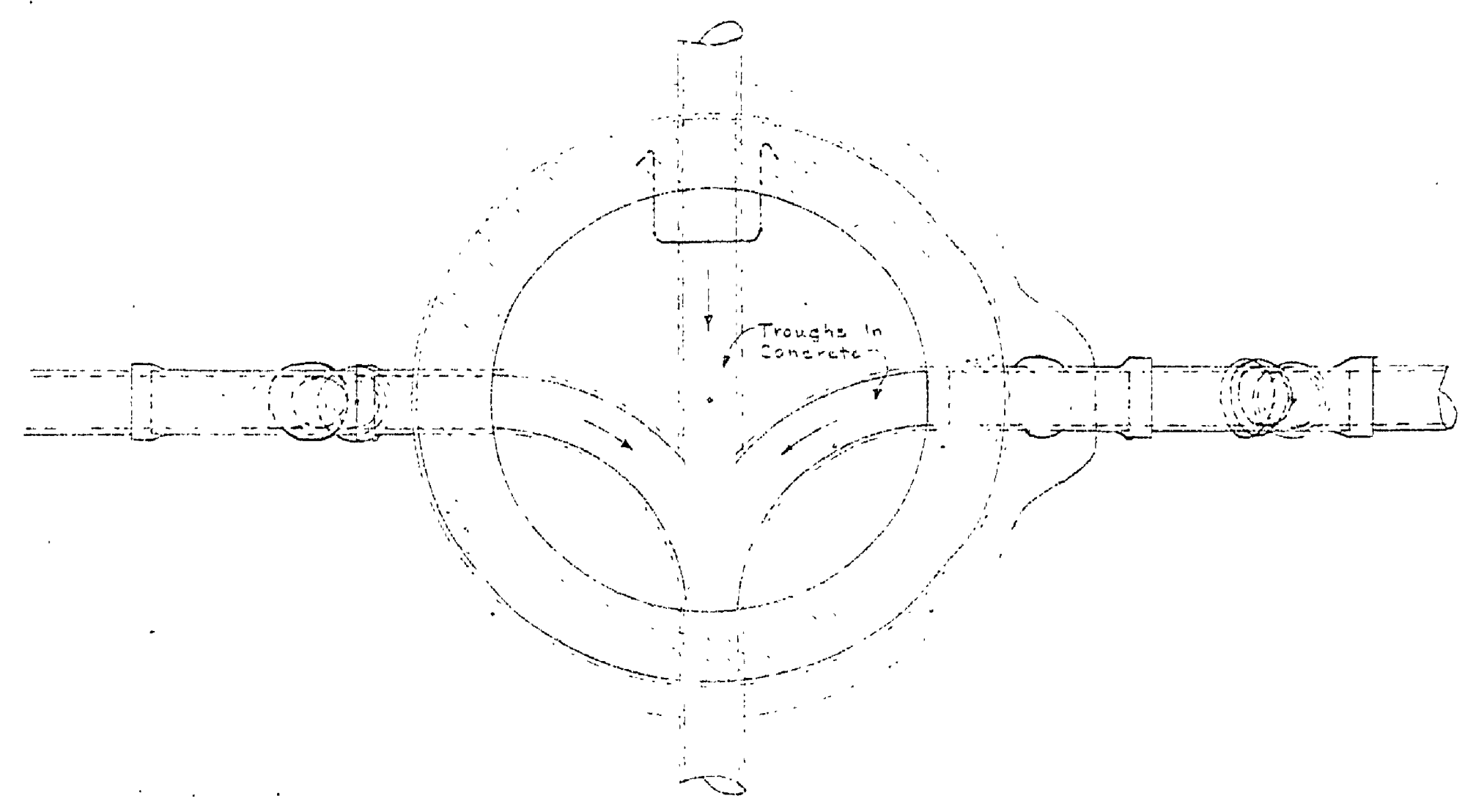


| REVISIONS | NO. | DATE | BY |
|-----------|-----|------|----|
| | 1 | | |
| | 2 | | |
| | 3 | | |
| | 4 | | |
| | 5 | | |
| | 6 | | |

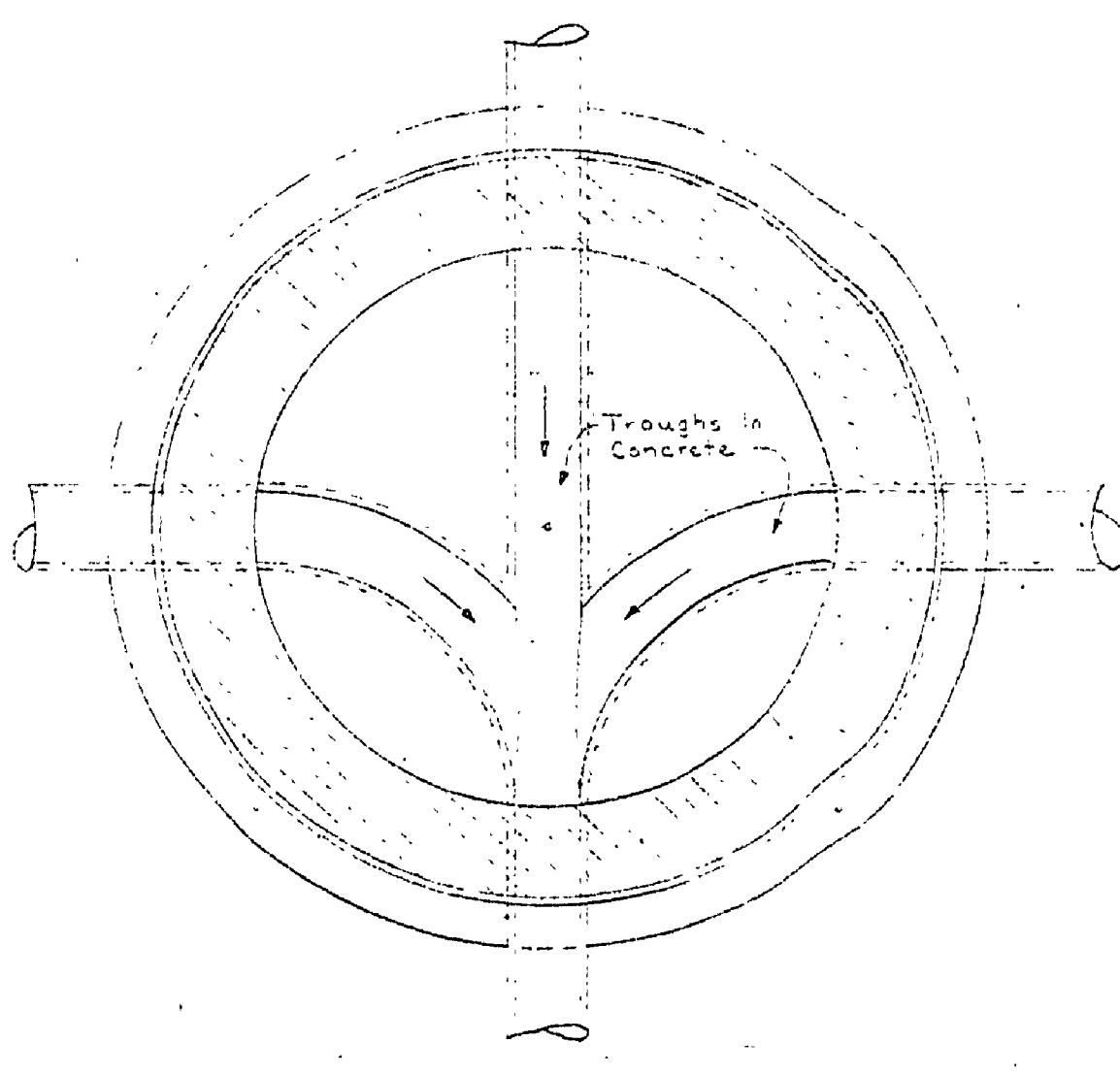
| REVIEWED BY SECTIONS | DATE | APPROVED BY |
|----------------------|---------|--------------------|
| ARCHITECTURAL | 7-11-62 | <i>[Signature]</i> |
| ENGINEERING | 6-27-62 | |
| LANDSCAPE | 7-10-62 | |

| NO. DATE BY | NO. DATE BY |
|-------------|-------------|
| 1 | |
| 2 | |
| 3 | |

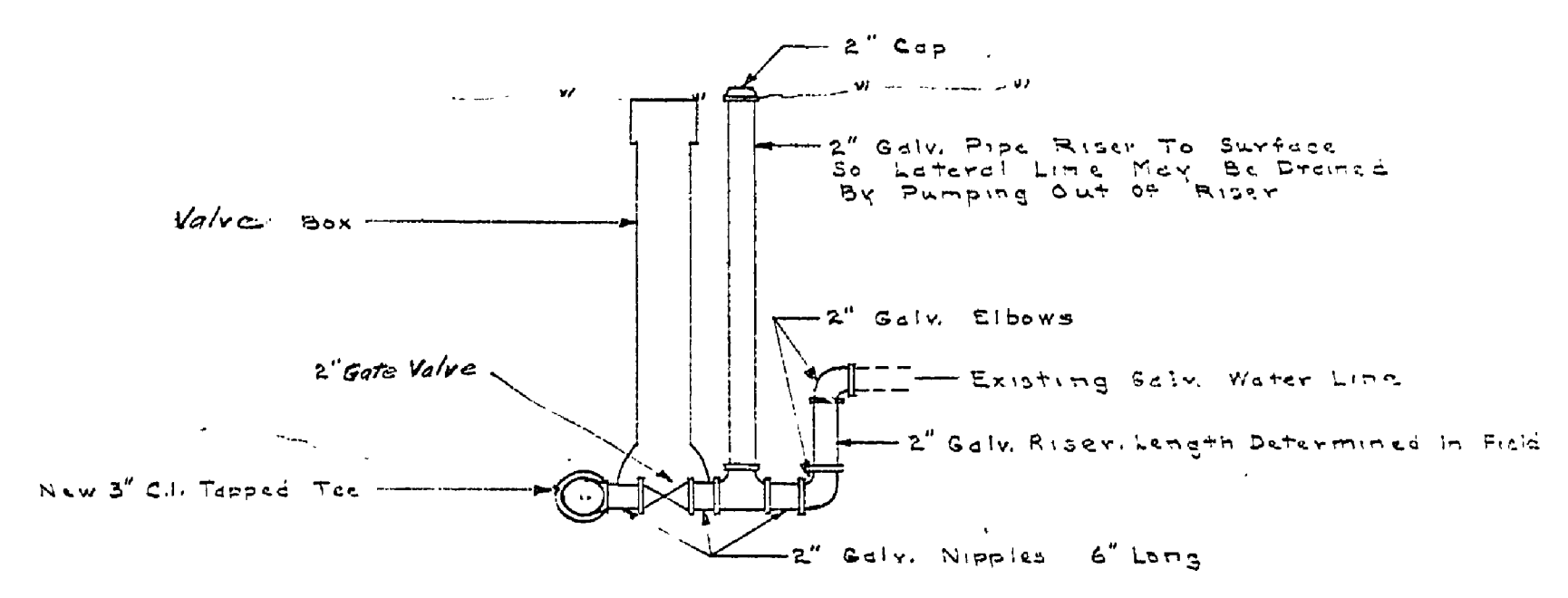
| DATE | APPROVED BY |
|--------------|--------------------|
| 28 June 1964 | <i>[Signature]</i> |



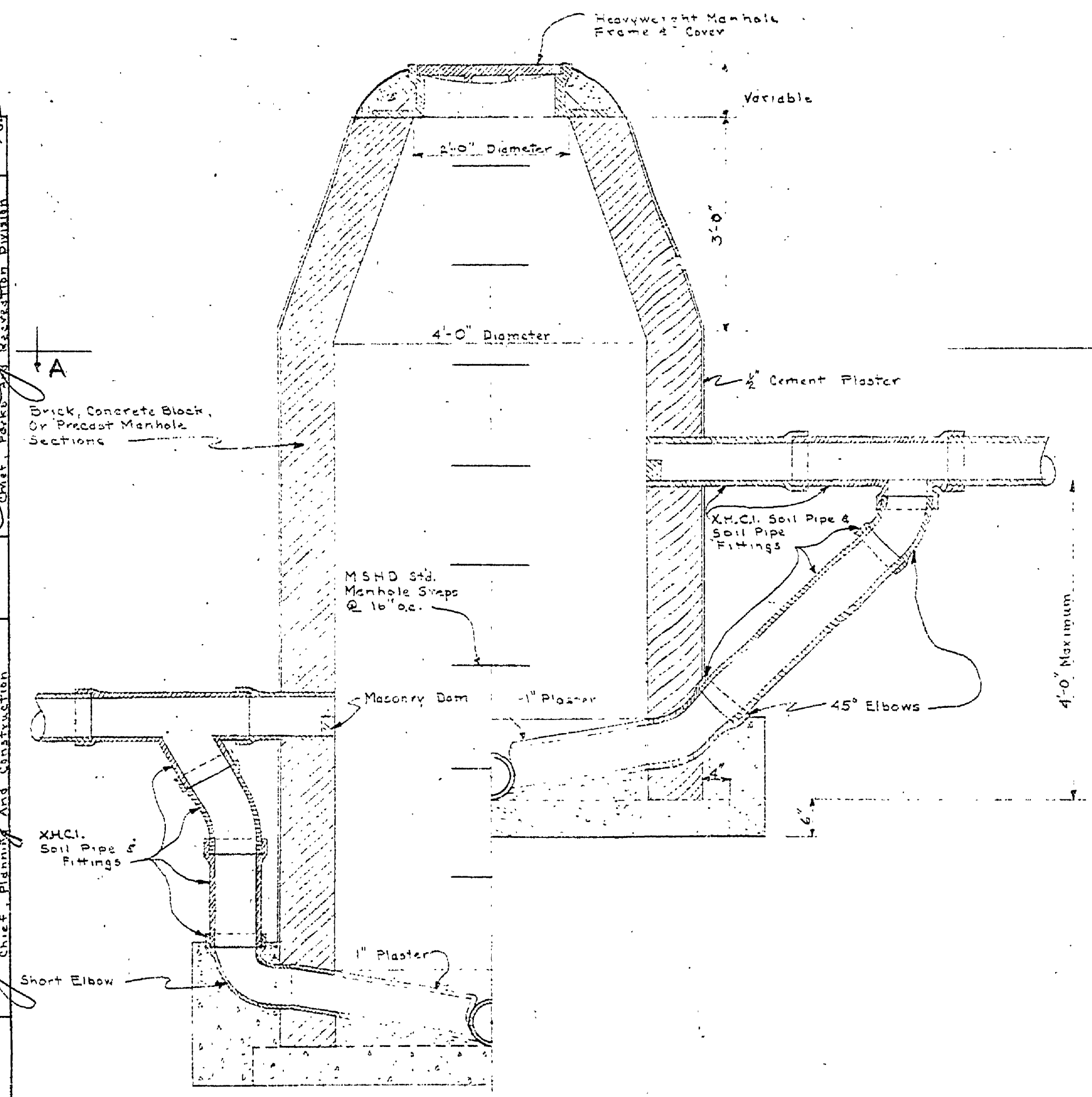
PLAN SECTION A-A



PLAN SECTION B-B

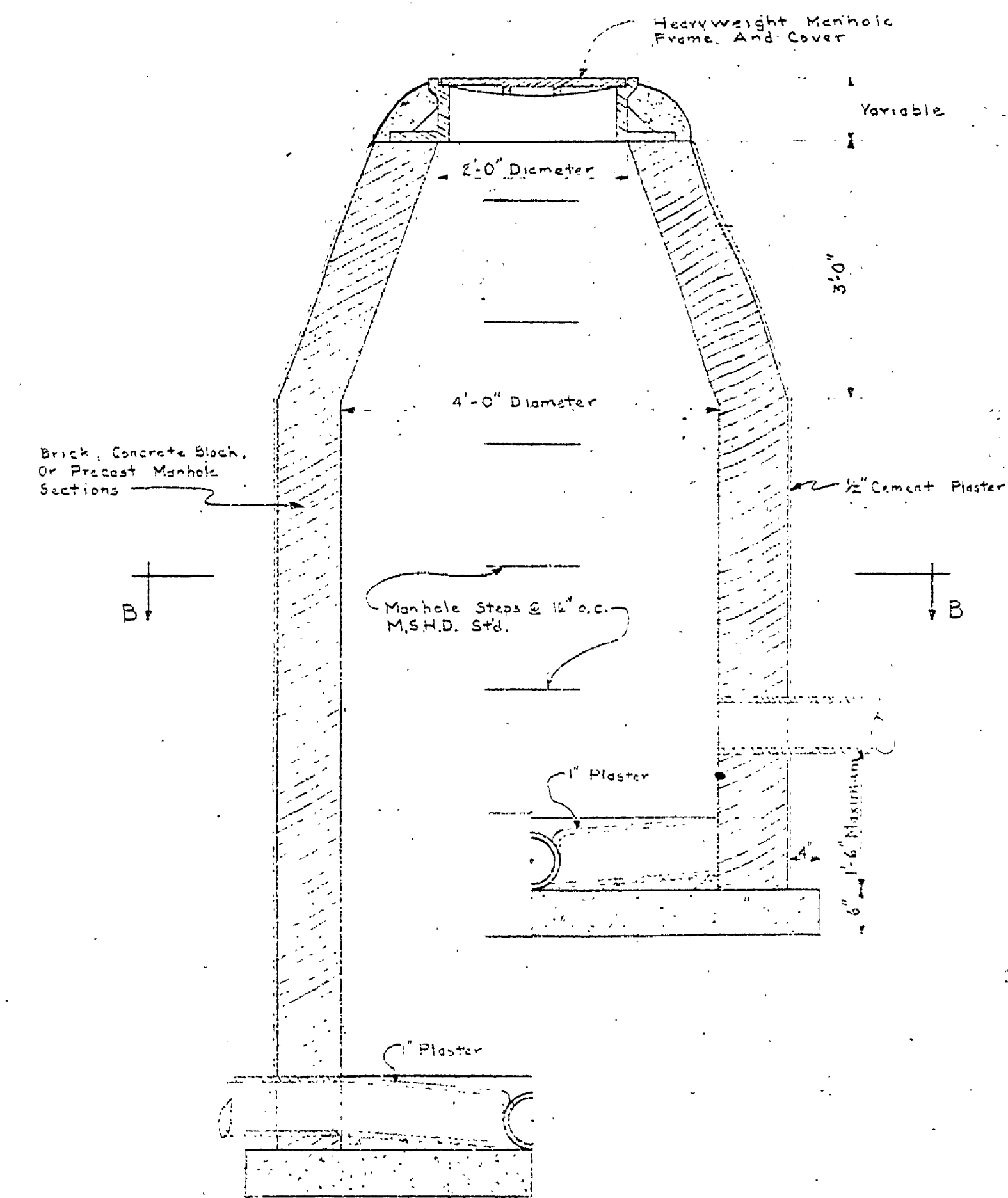


ELEVATION DETAIL "A"
Not To Scale



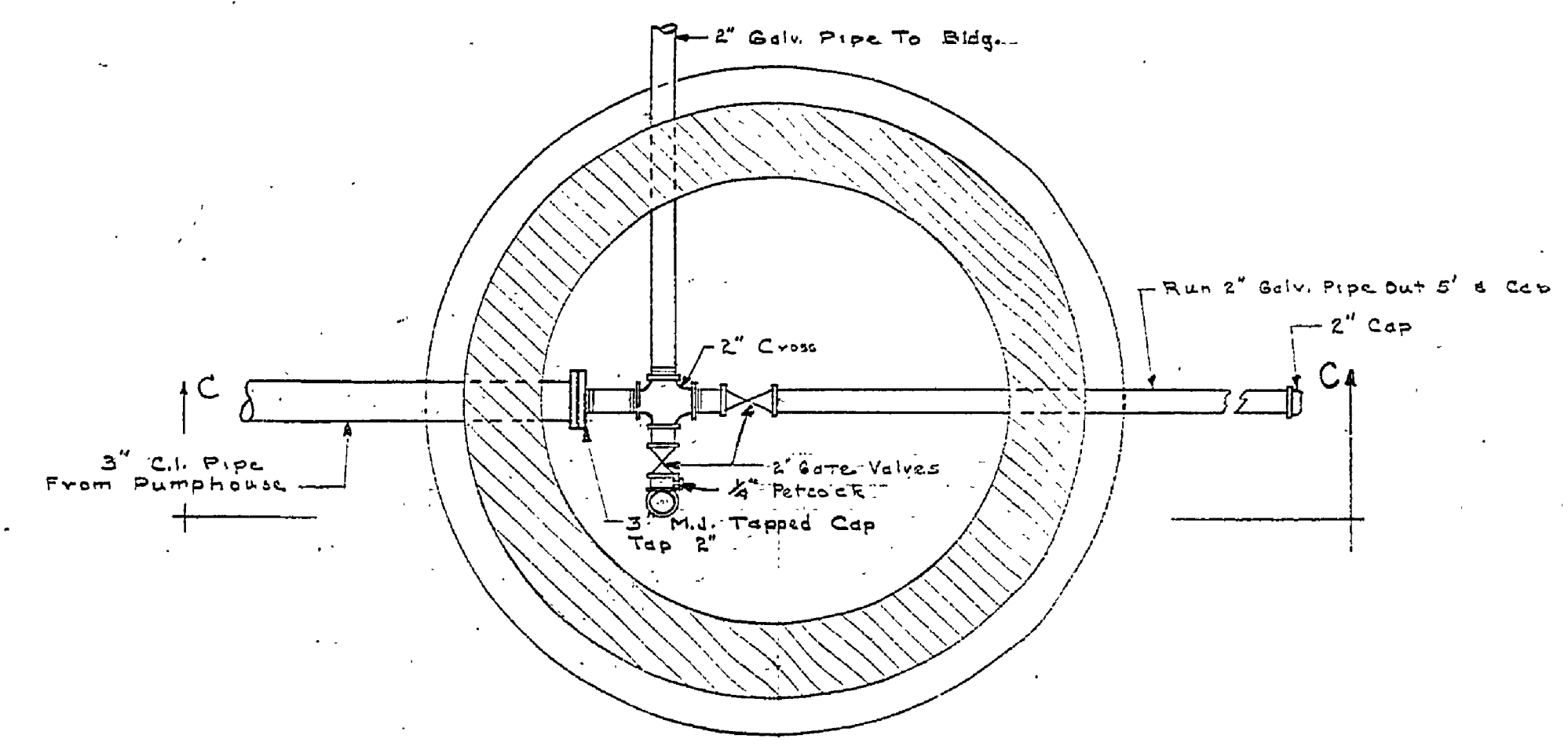
SECTION LONG DROP

DROP MANHOLE
Scale 3/8" = 1'-0"

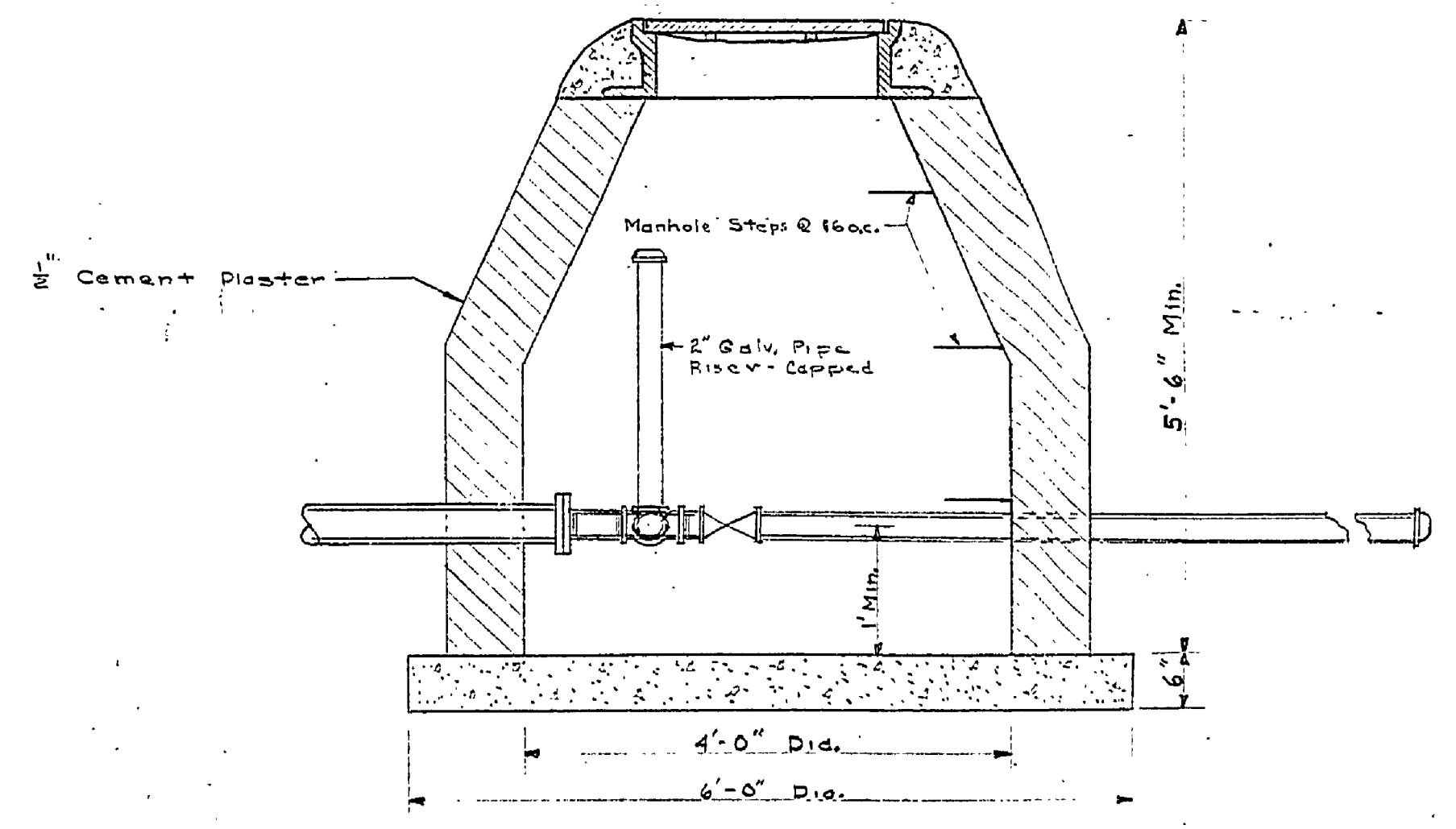


SECTION REGULAR MANHOLE

Scale 3/8" = 1'-0"



PLAN SECTION SPECIAL MANHOLE



SECTION C-C SPECIAL MANHOLE

Not To Scale