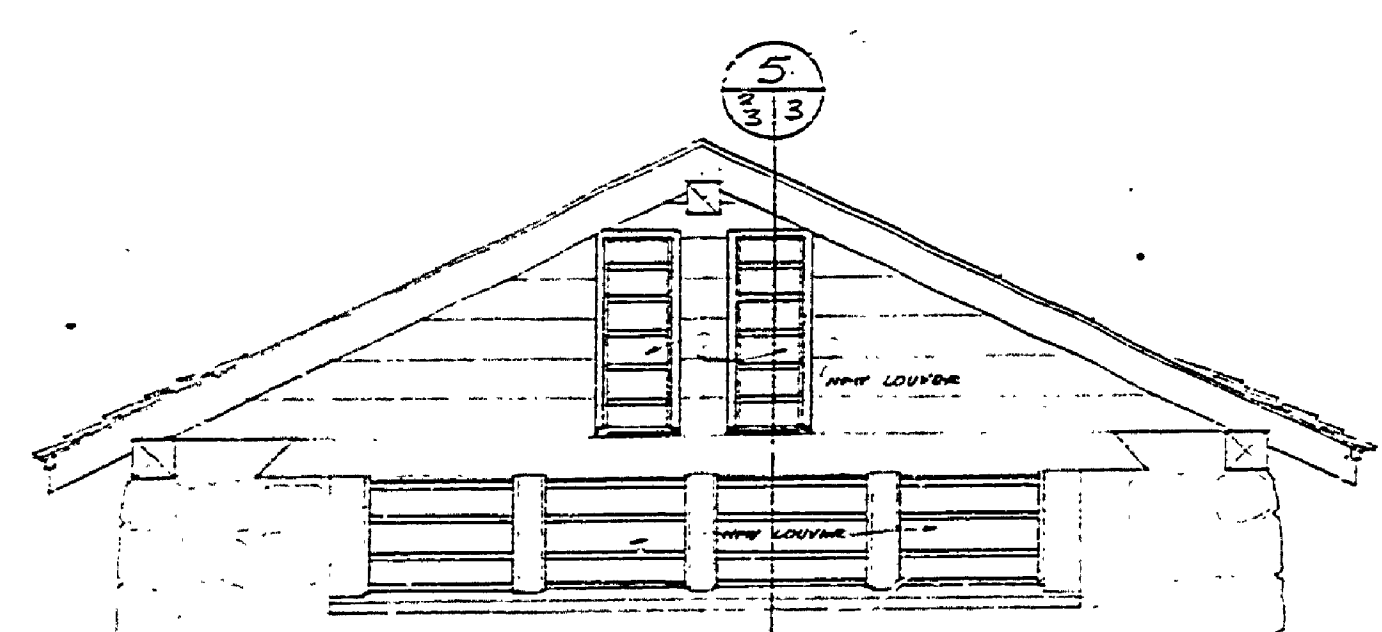
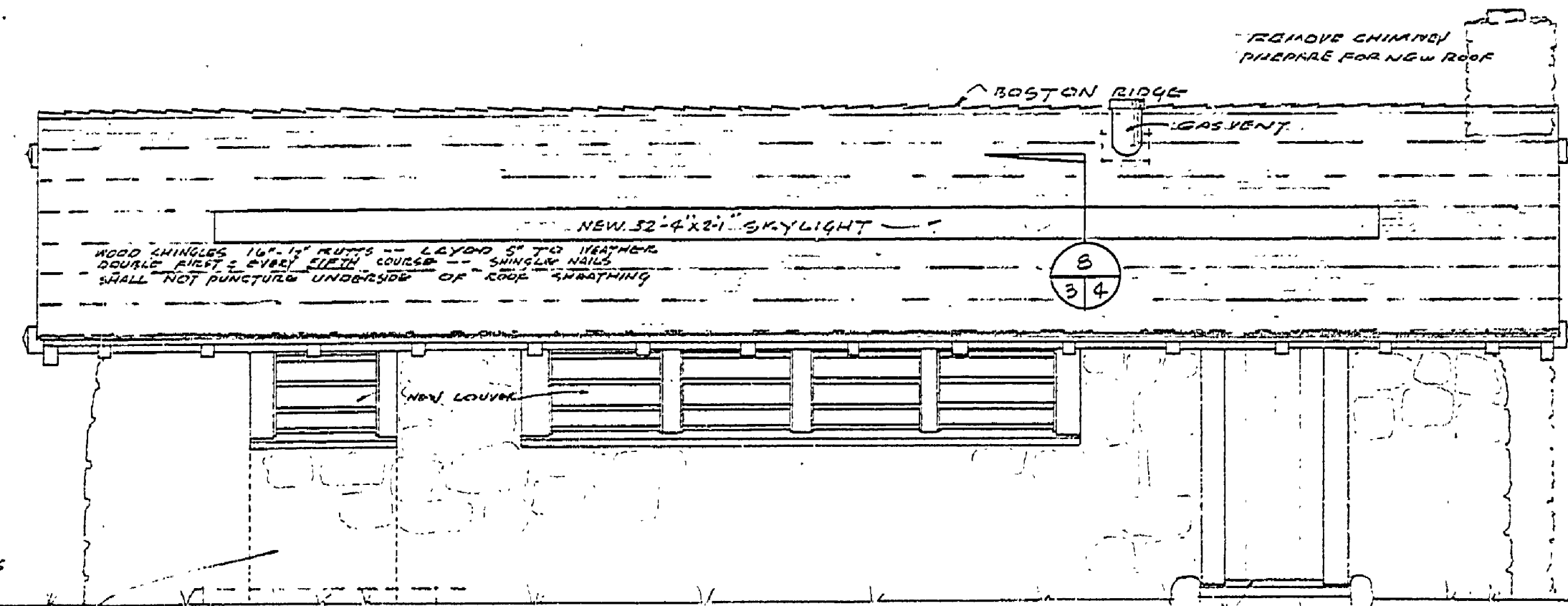


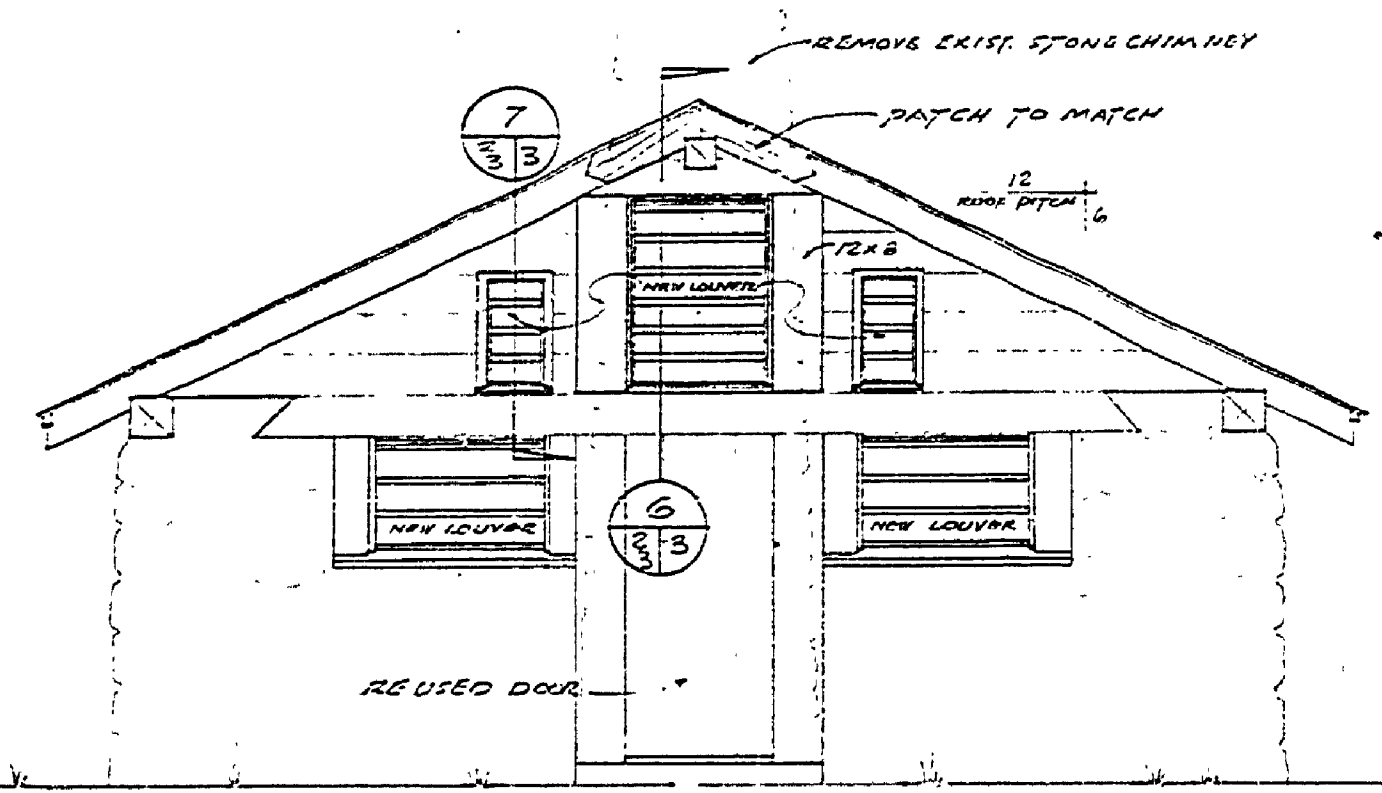
DESIGNED BY	ARCHITECTURAL	DATE	APPROVED	DATE	NO.	DATE	BY
DRAWN BY	ENGINEERING	4-11-62	<i>[Signature]</i>	4-11-62	1	4-11-62	
CHECKED BY	LANDSCAPE	4-11-62	<i>[Signature]</i>	4-11-62	2	4-11-62	
					3		
					4		
					5		
					6		



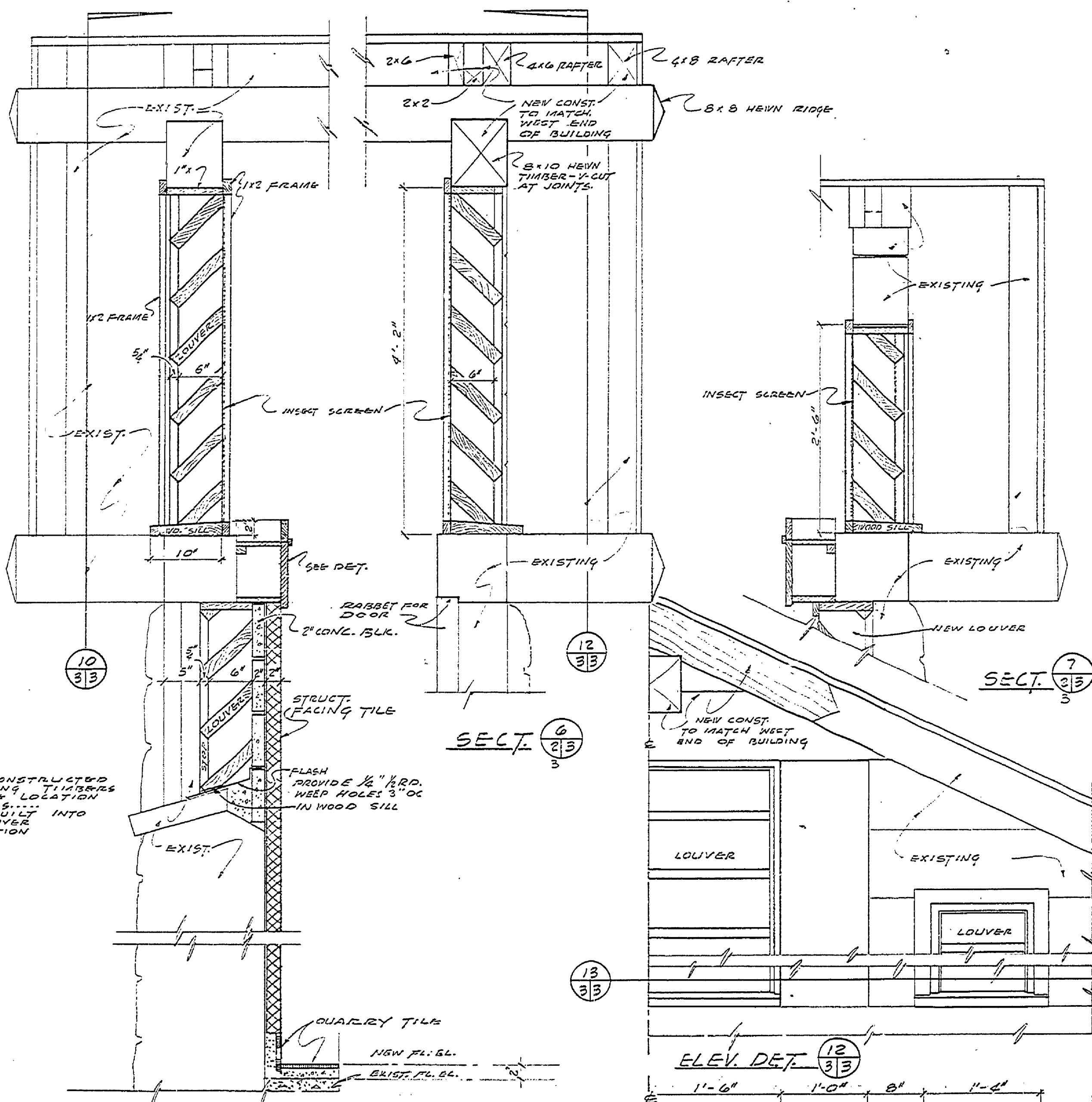
WEST ELEVATION
SCALE - 1/4" = 1'-0"



SOUTH ELEVATION
NO. 274 ELEV. SIM. SCALE - 1/4" = 1'-0"



EAST ELEVATION
SCALE - 1/4" = 1'-0"



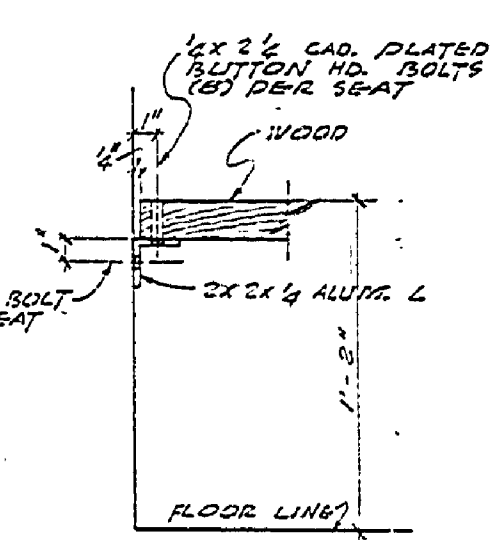
SECT. DET. 5 (2/3)

SECT. 6 (2/3)

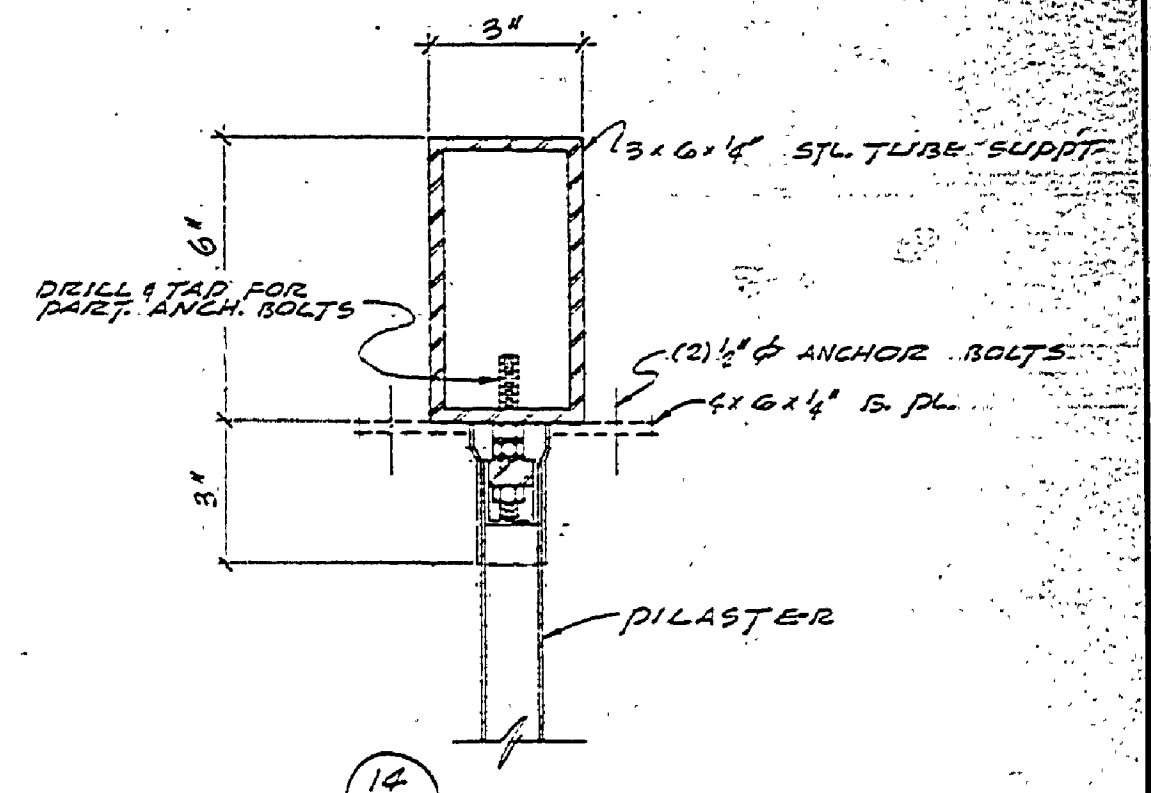
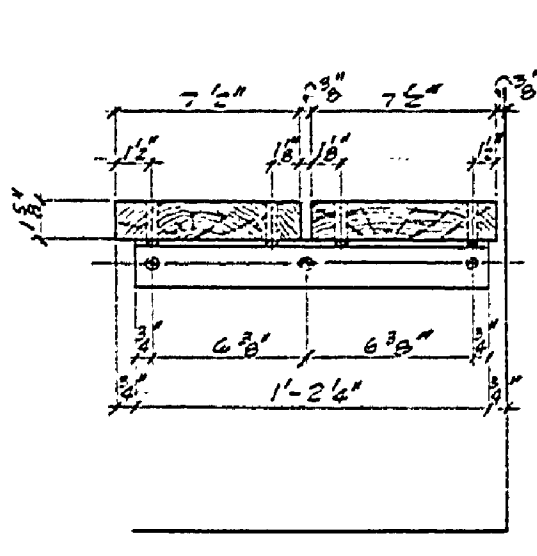
SECT. 7 (2/3)

ELEV. DET. 12 (2/3)

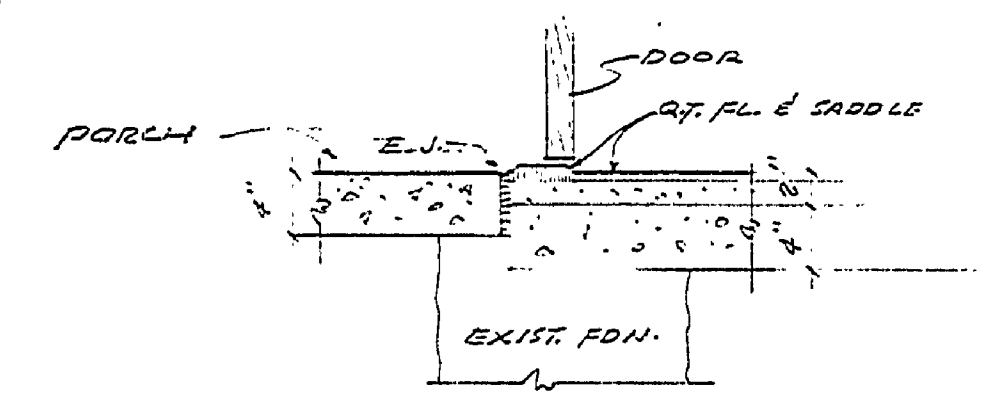
SECT. DET. 13 (2/3)



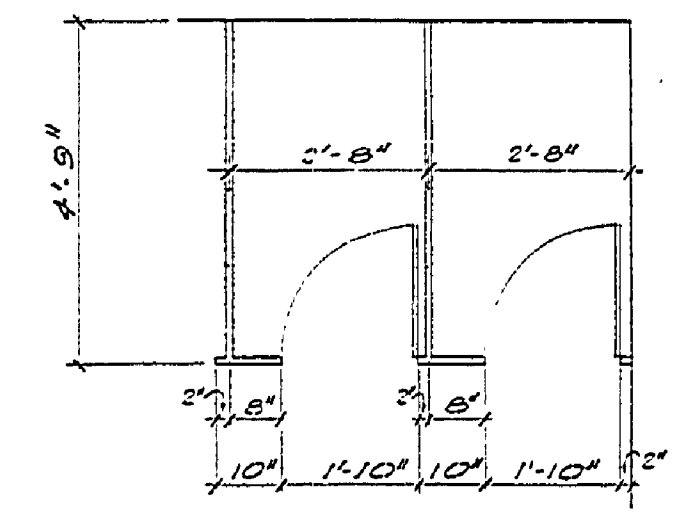
SHOWER SEAT DET
SCALE - 1/2" = 1'-0"



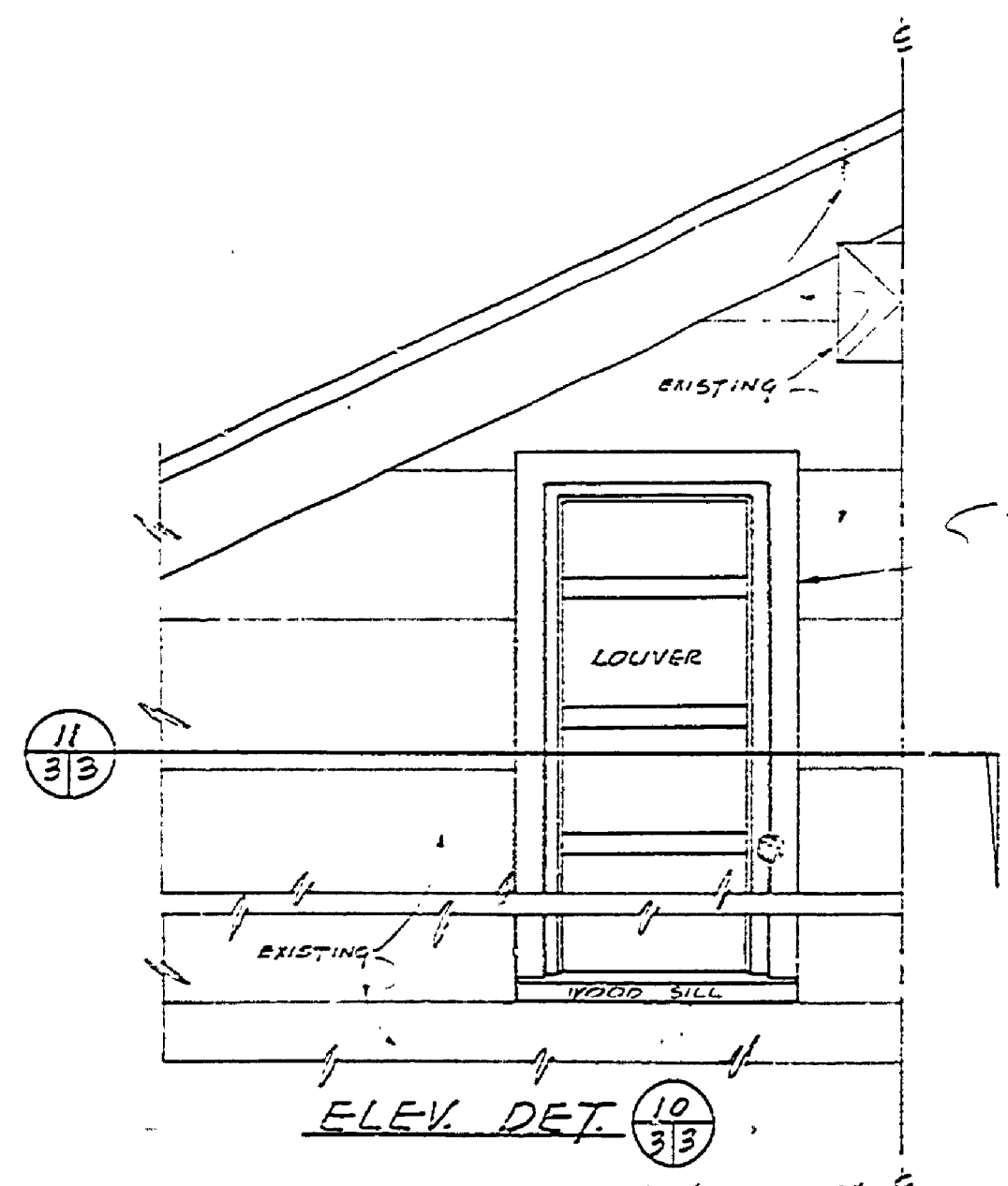
DET. 14 (2/3)
OVERHEAD SUDDY TOILET PARTITIONS
SCALE - 3/8" = 1'-0"



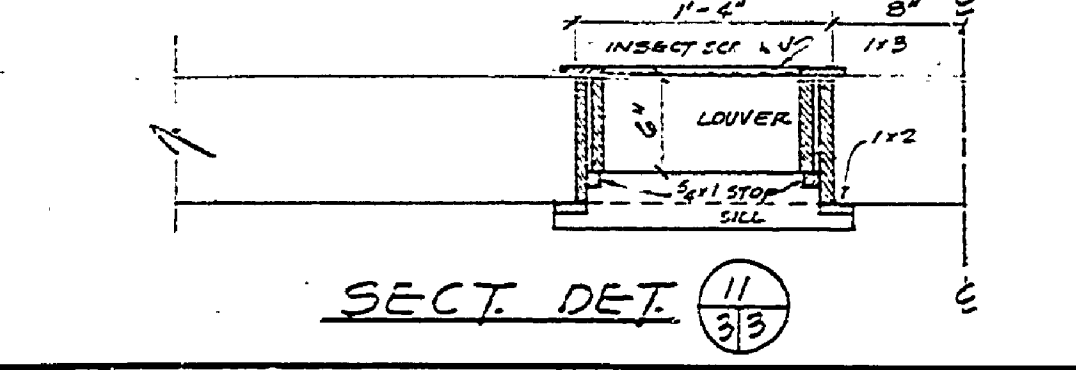
TYPICAL DOOR SILL
SCALE 1" = 1'-0"



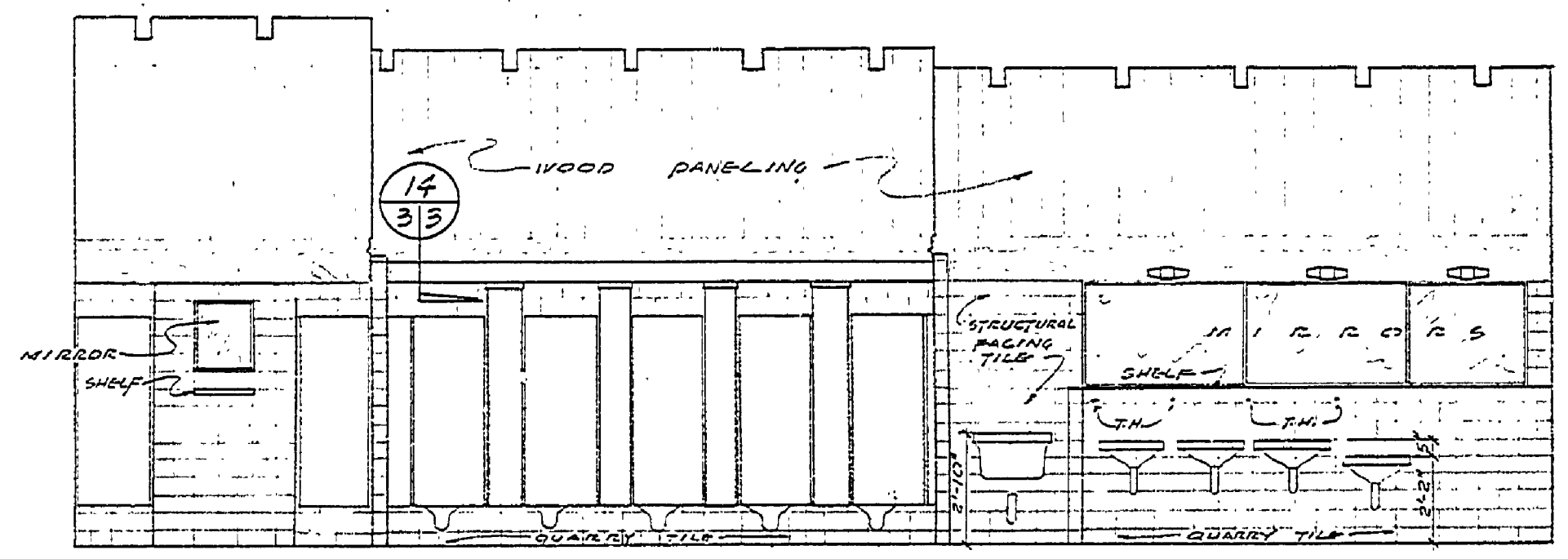
TYPICAL LAYOUT-METAL TOILET PARTITIONS
SCALE - 3/8" = 1'-0"



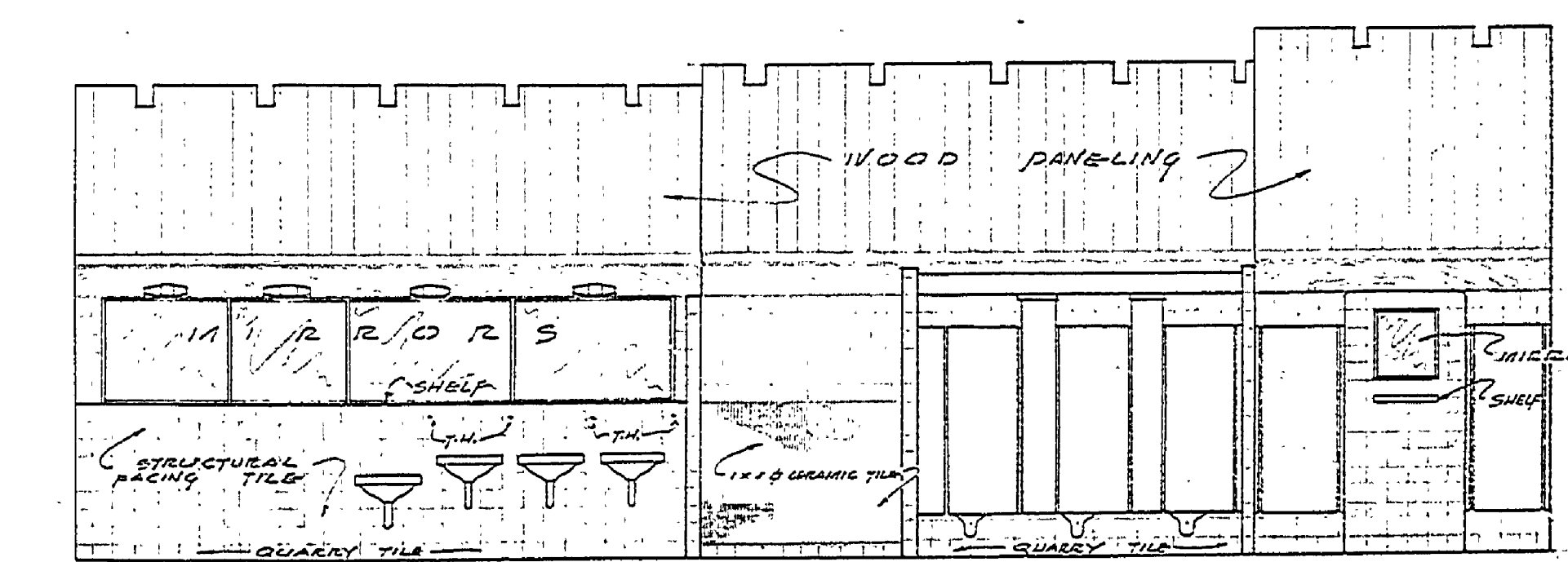
ELEV. DET. 10 (2/3)



SECT. DET. 11 (2/3)



ELEVATION-WALL WOMENS TOILET
SCALE - 1/4" = 1'-0"



ELEVATION-WALL MENS TOILET
SCALE - 1/4" = 1'-0"

NOTE: NEW LOUVER WILL BE CONSTRUCTED BY CUTTING OUT TWO EXISTING TILES IN THE GABLE ENDS AT THE LOCATION OF THE EXISTING LOUVERS. THE NEW LOUVER WILL BE BUILT INTO THIS OPENING... SEE A-110 SECTION

ELEVATIONS - SECTIONS - DETAILS		PLAN NO.
HARRISVILLE STATE PARK REMODELING TOILET & SHOWER BUILDING #1A		A-104a
SHEET NO.	OF	
2	3	

MICHIGAN
DEPARTMENT OF CONSERVATION
PARKS AND RECREATION DIVISION