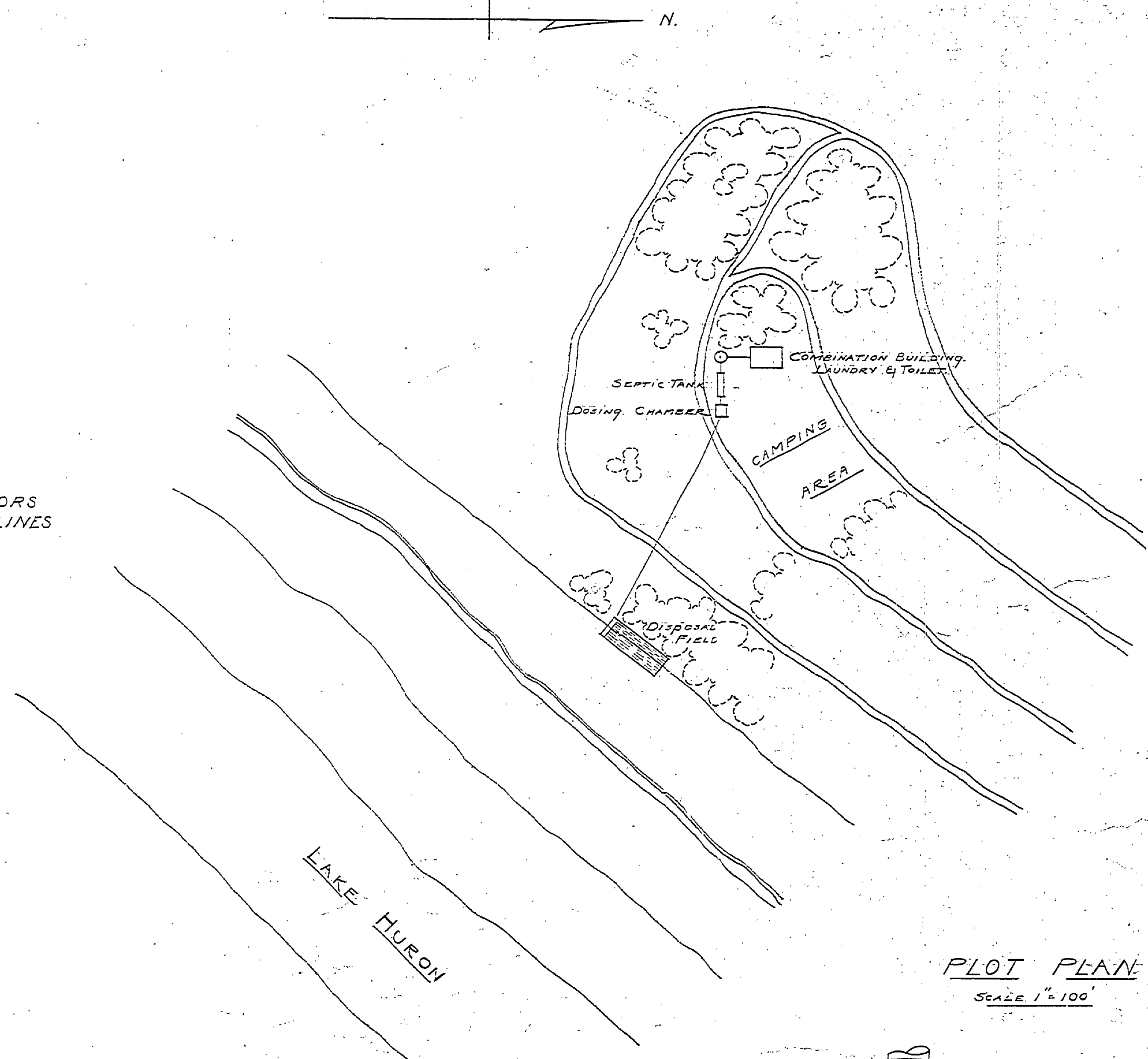
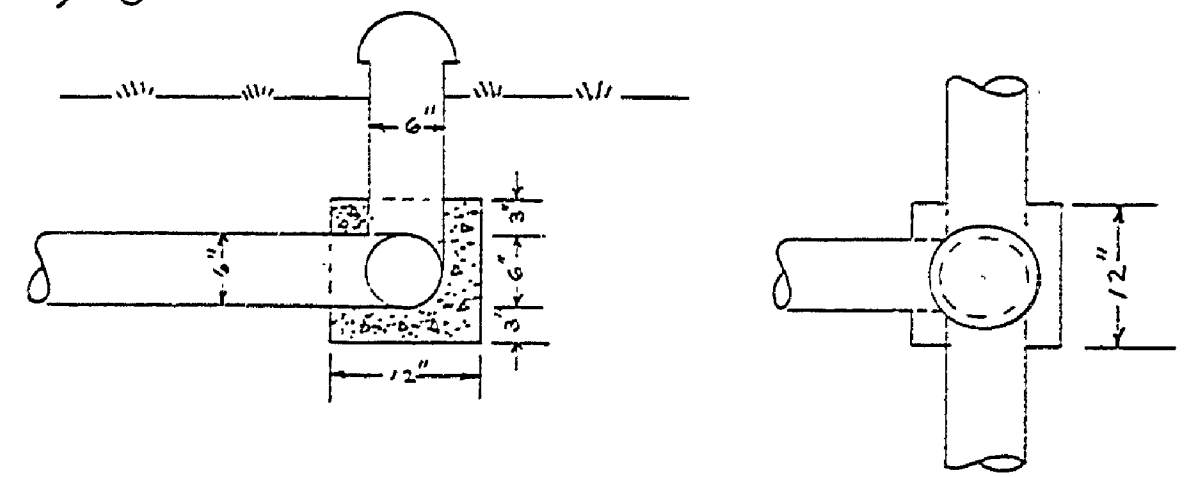
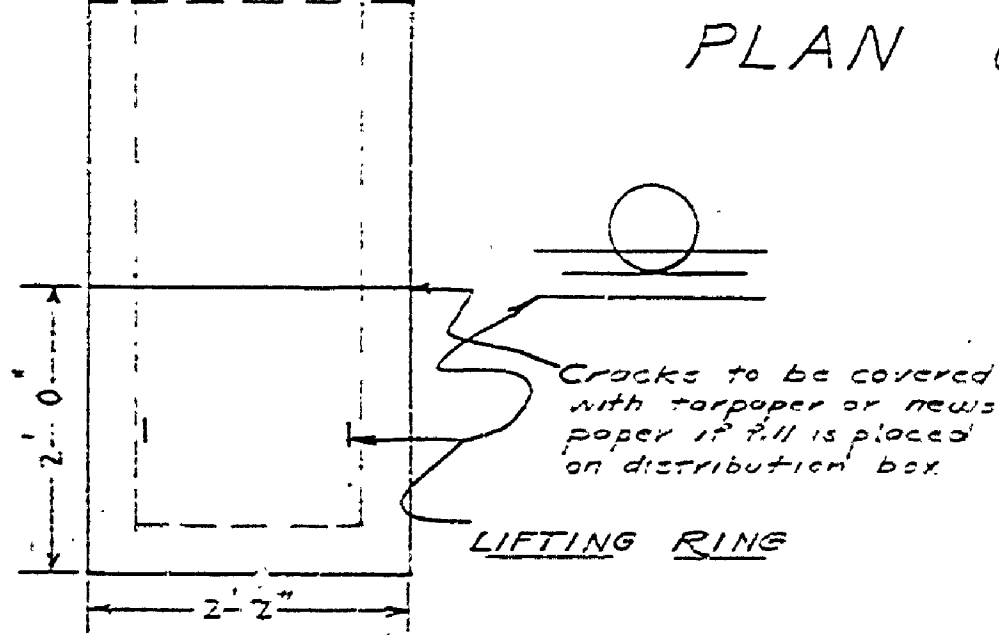


PLACE TWO VENTILATORS ALONG CONNECTING LINES

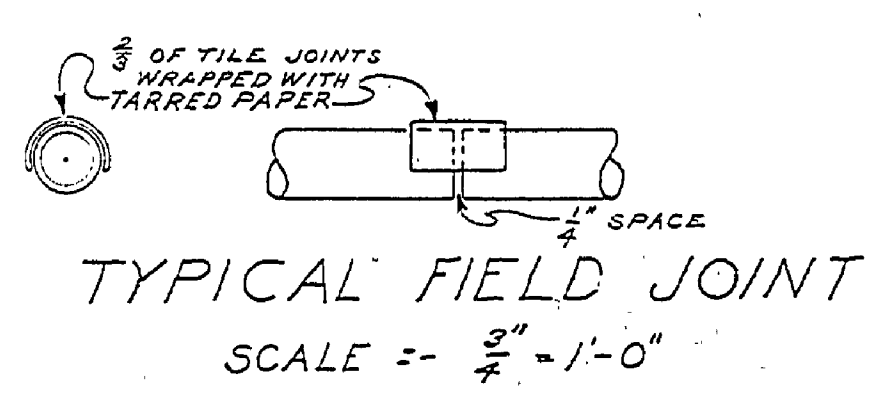


PLOT PLAN  
SCALE 1" = 100'

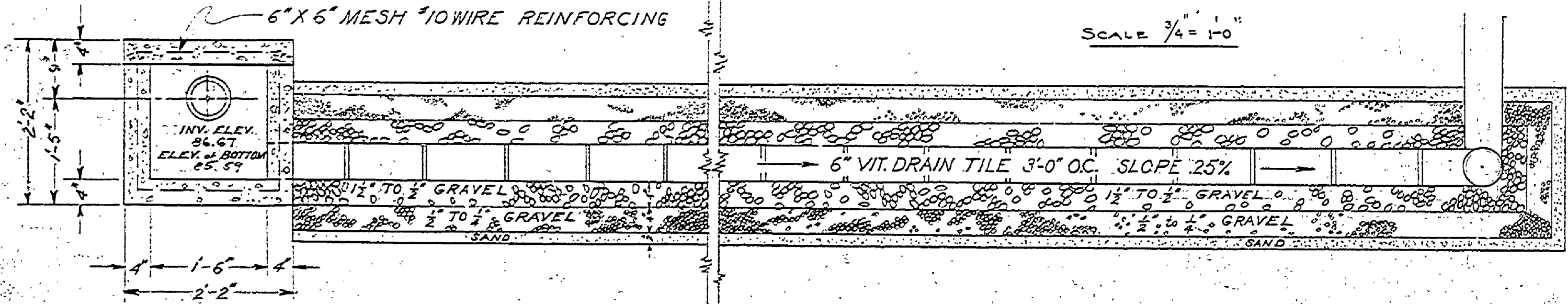
PLAN OF DISPOSAL FIELD  
SCALE 3/4" = 1'-0"



VENTILATOR DETAILS  
SCALE 3/4" = 1'-0"

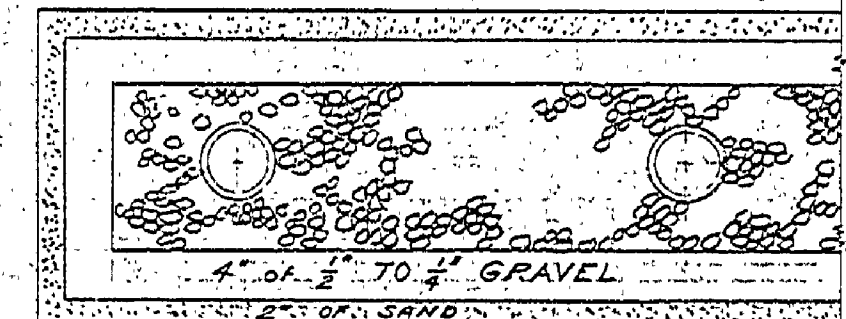


TYPICAL FIELD JOINT  
SCALE 3/4" = 1'-0"

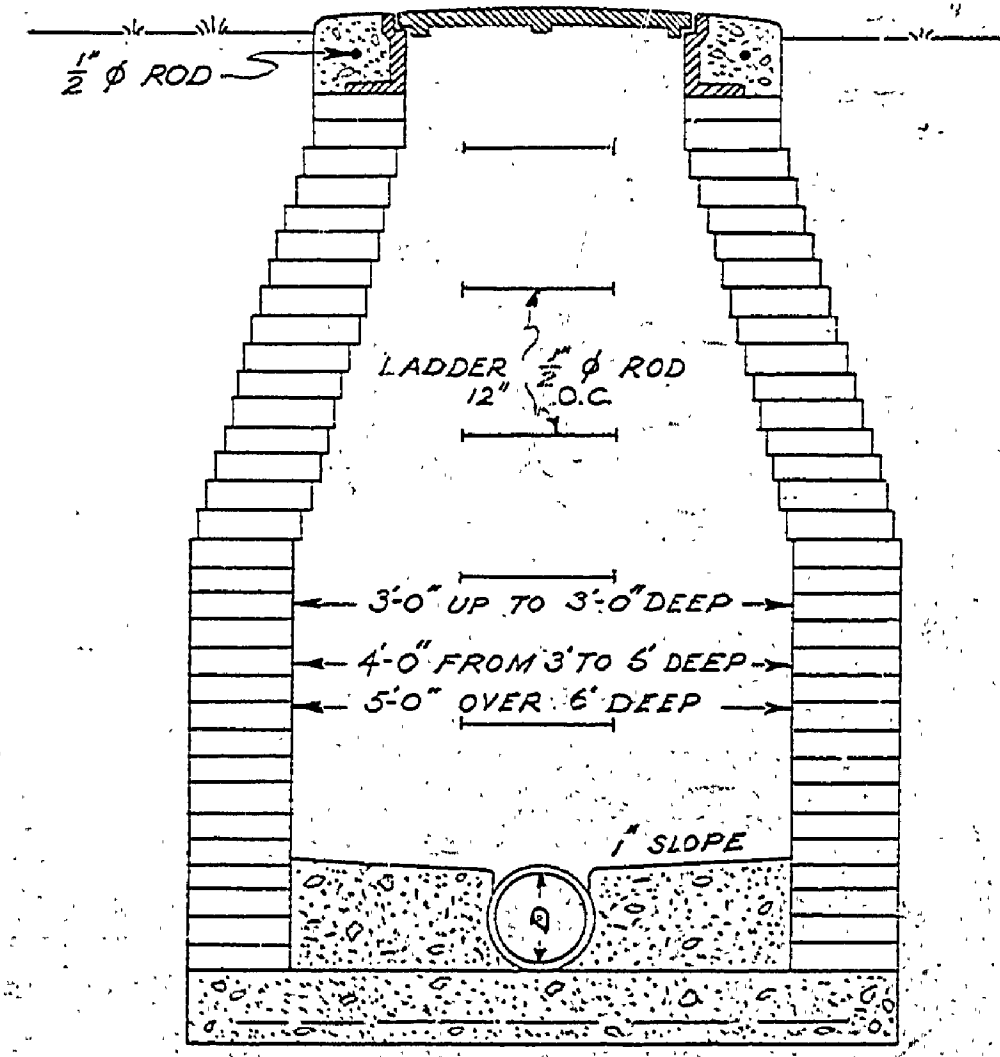


SECTION A-A  
SCALE 3/4" = 1'-0"

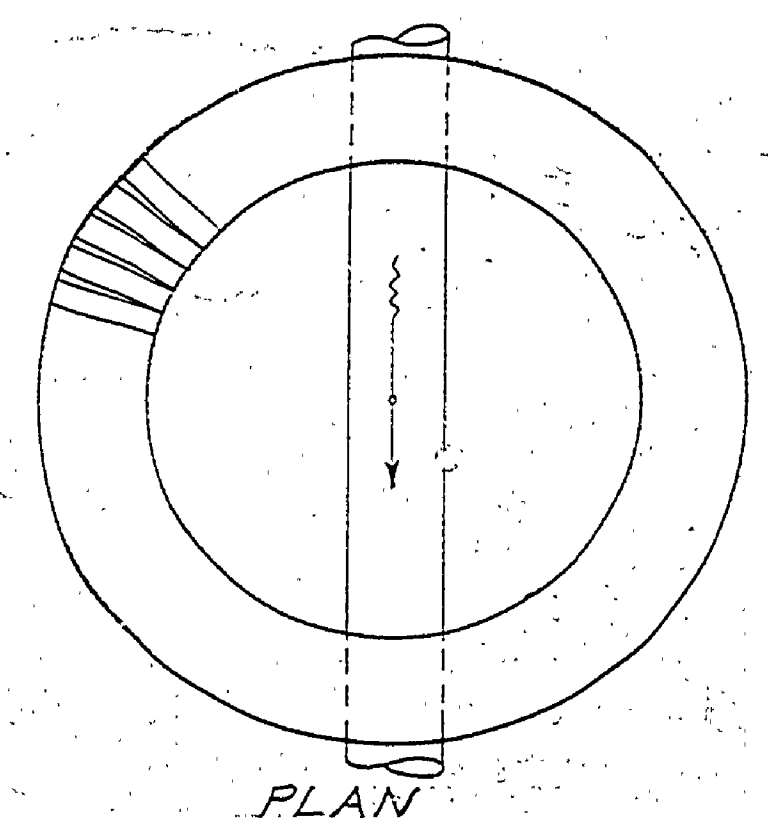
VENTILATOR



TYPICAL X-SECTION OF FIELD  
SCALE 3/4" = 1'-0"



SECTION  
TYPICAL MANHOLE  
SCALE 3/4" = 1'-0"



PLAN

Michigan Department of Conservation  
EXAMINED AND APPROVED  
DATE 10/10/50  
John M. Kopley  
REGISTERED PROFESSIONAL ENGINEER  
NO. 3763

MICHIGAN  
DEPARTMENT OF CONSERVATION  
STATE PARKS

DESIGNED BY H.C.M.	HARRISVILLE STATE PARK DISPOSAL SYSTEM	SCALE
TRACED BY H.C.M.	COMBINATION BUILDING LAUNDRY & TOILET	DATE
CHECKED BY		DATE
APPROVED		DATE
APPROVED		DATE