

REVISIONS	NO.	DATE	BY
4			
5			
6			

APPROVED BY	DATE
<i>[Signature]</i>	5-12-98

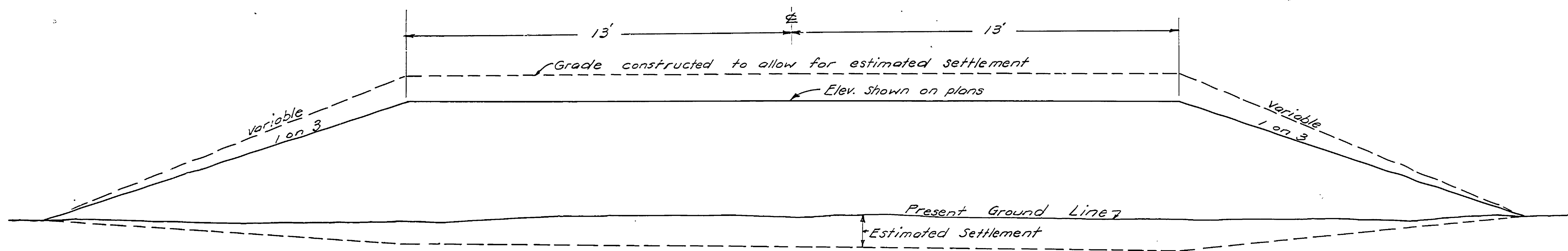
ASSISTANT CHIEF IN CHARGE	DATE
<i>[Signature]</i>	8/12/98

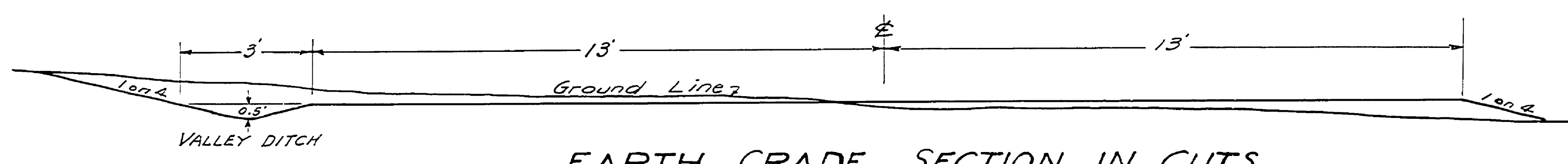
REVIEWED BY SECTIONS	DATE
ARCHITECTURAL	5-12-98
ENGINEERING	11-11-98
LANDSCAPE	8/12/98

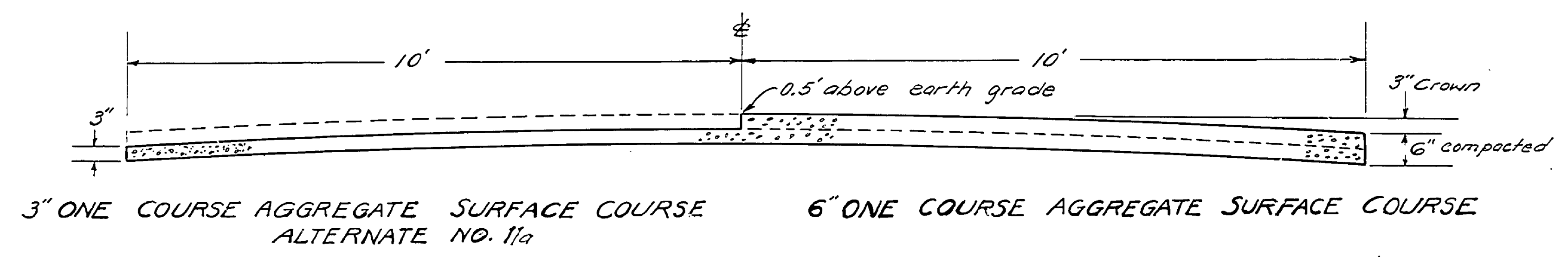
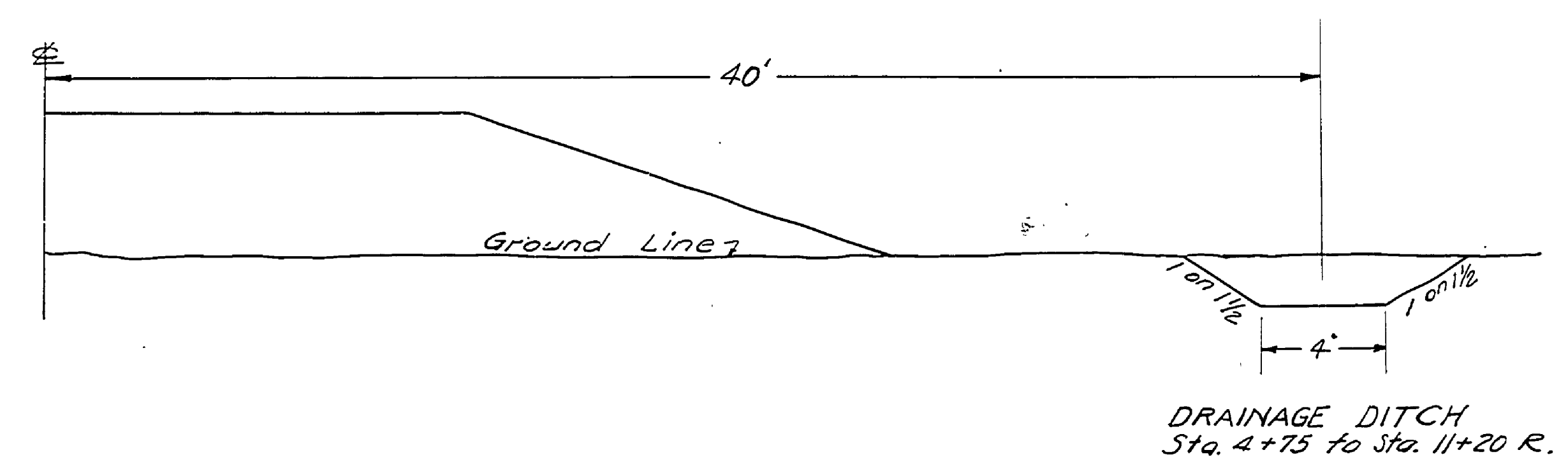
DRAWN BY	7-98
CHECKED BY	
DATE	



EARTH GRADE SECTION IN FILLS



EARTH GRADE SECTION IN CUTS



QUANTITIES		
ITEM OF WORK	UNIT	QUANTITY
Removing trees 8-12" dia	each	2
Removing trees 13-24" dia	each	2
Clearing	Acres	0.94
Grubbing	Sq. yds.	53
Earth Excavation	Cu. yds.	10,216
Over haul	yd. Miles	13,900
Trimming and Finishing		
Earth Grade	Stations	13.6
12" Corrugated Metal Pipe	Lin. ft.	42
18" Corrugated Metal Pipe	Lin. ft.	62
3" Aggregate Surface Course	Sq. yds.	3374
6" Aggregate Surface Course	Sq. yds.	3374
Fine Grading and Clean up	Stations	13.6
2" Drainage Ditch	Stations	7.0
Stock pile Surface Aggregate	Cu. yds.	25

\* Alternate # 10  
Clearing may be omitted