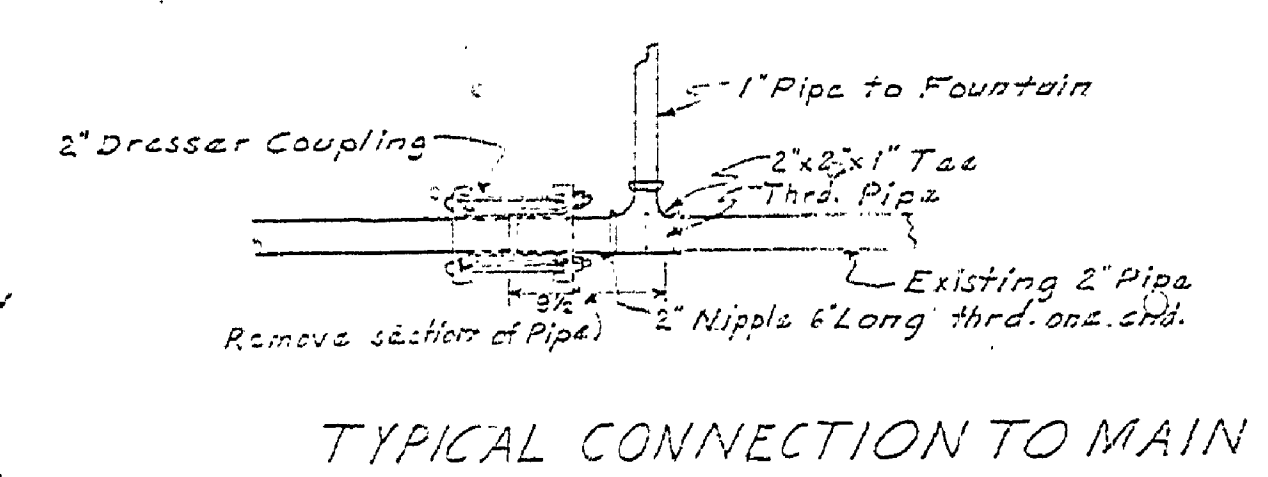
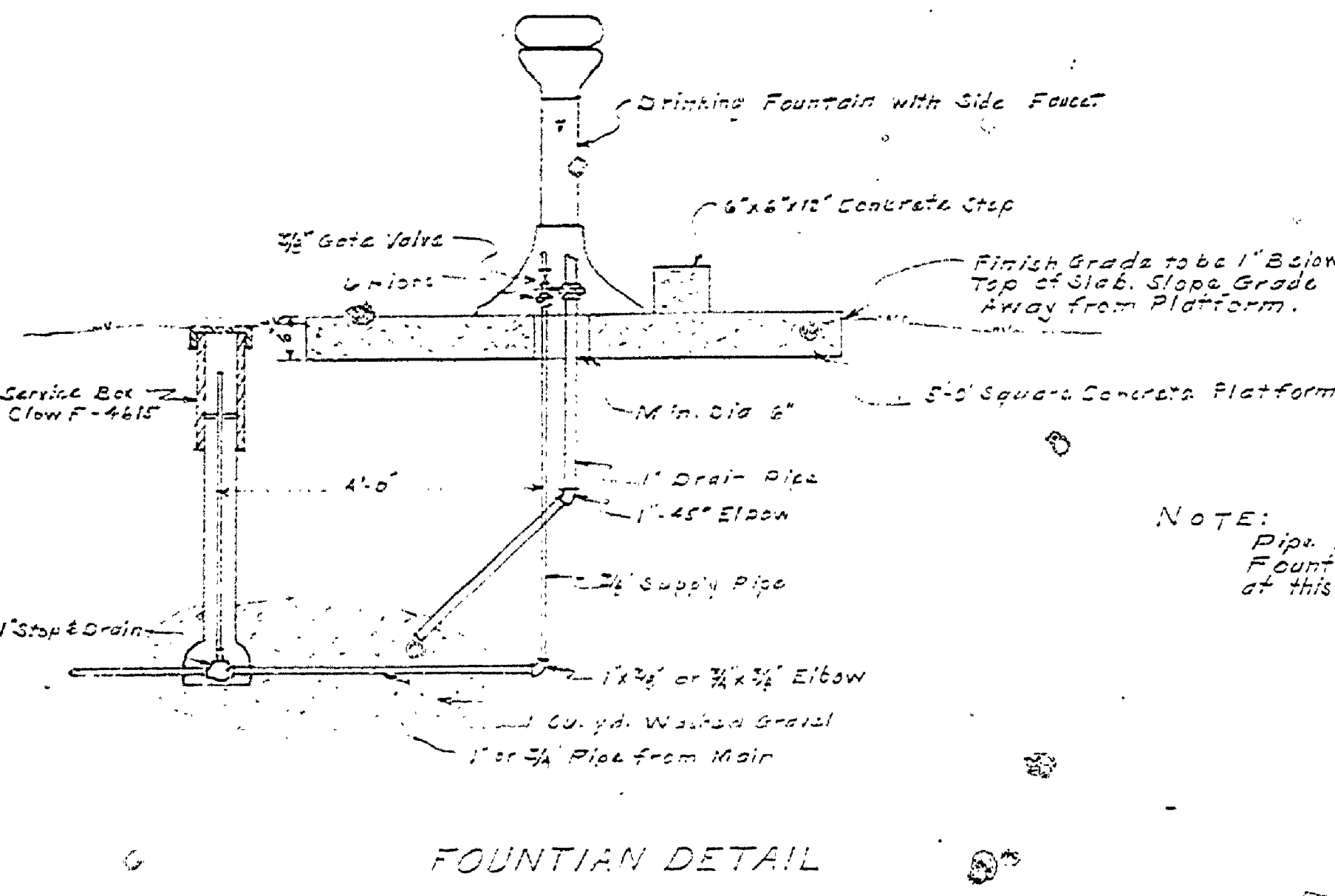
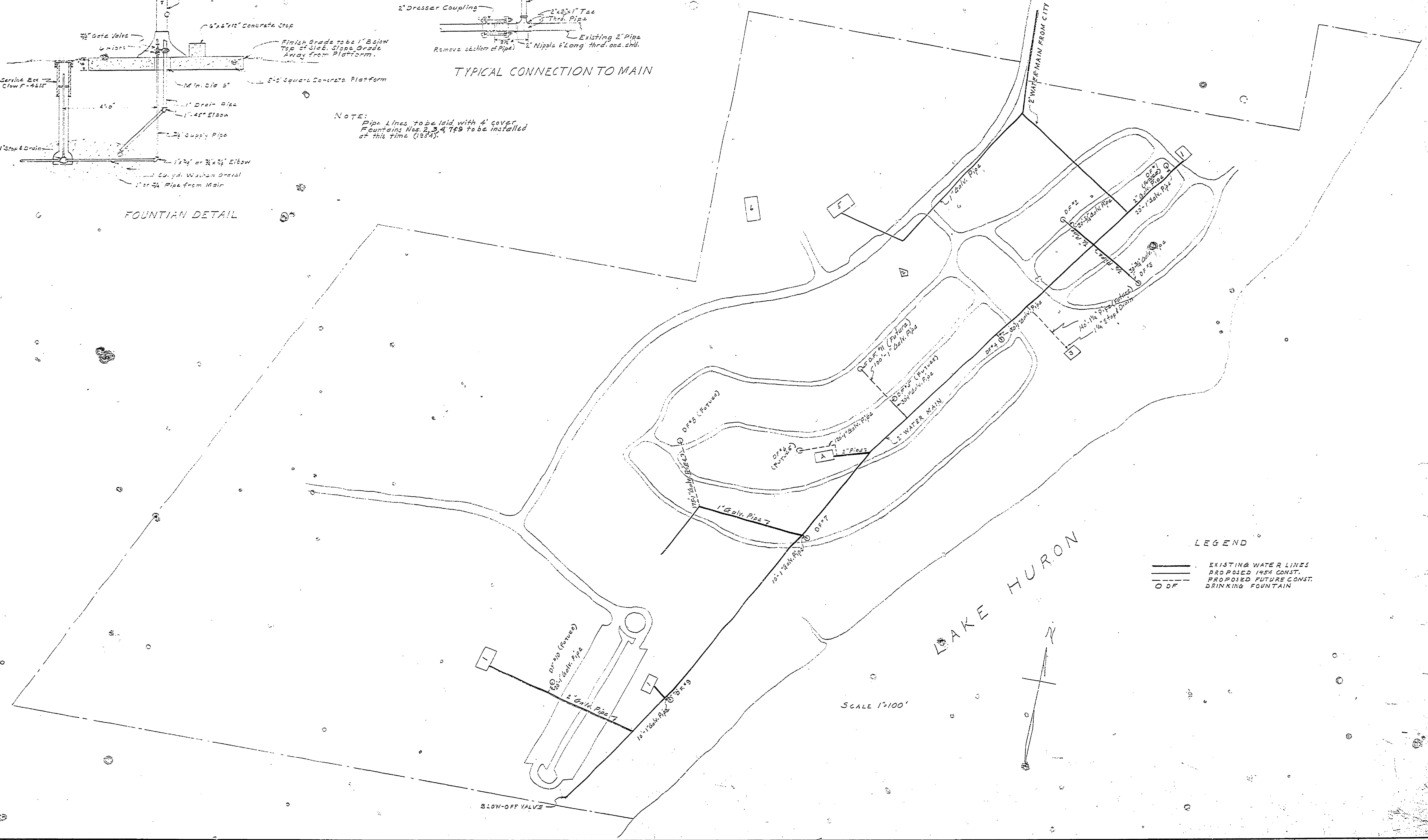


DRAWN BY E.J.P.	CHECKED BY F.L.H.	DATE 7/10/54	REVIEWED BY SECTIONS		APPROVED BY <i>[Signature]</i> ASSISTANT CHIEF IN CHARGE OF DESIGN	DATE 7-15-54	REVISIONS		DATE BY		
			ARCHITECTURAL	J.T.R.			1	7-11-54		E.T.R.	4
			ENGINEERING	A.C.M.			2				5
			LANDSCAPE	J.T.R.			3				6
ADDITION OF PIPES TO SITES 3 AND FOUNTAIN #1											



NOTE:
Pipe Lines to be laid with 4' cover
Fountains Nos. 2, 3, 4, 7 & 9 to be installed
at this time (1954).



LEGEND
 ——— EXISTING WATER LINES
 - - - - - PROPOSED 1954 CONST.
 - - - - - PROPOSED FUTURE CONST.
 O DF DRINKING FOUNTAIN

SCALE 1"=100'

