

NO.	DATE	BY	REVISIONS
1	11/26/61		4
2			5
3			6

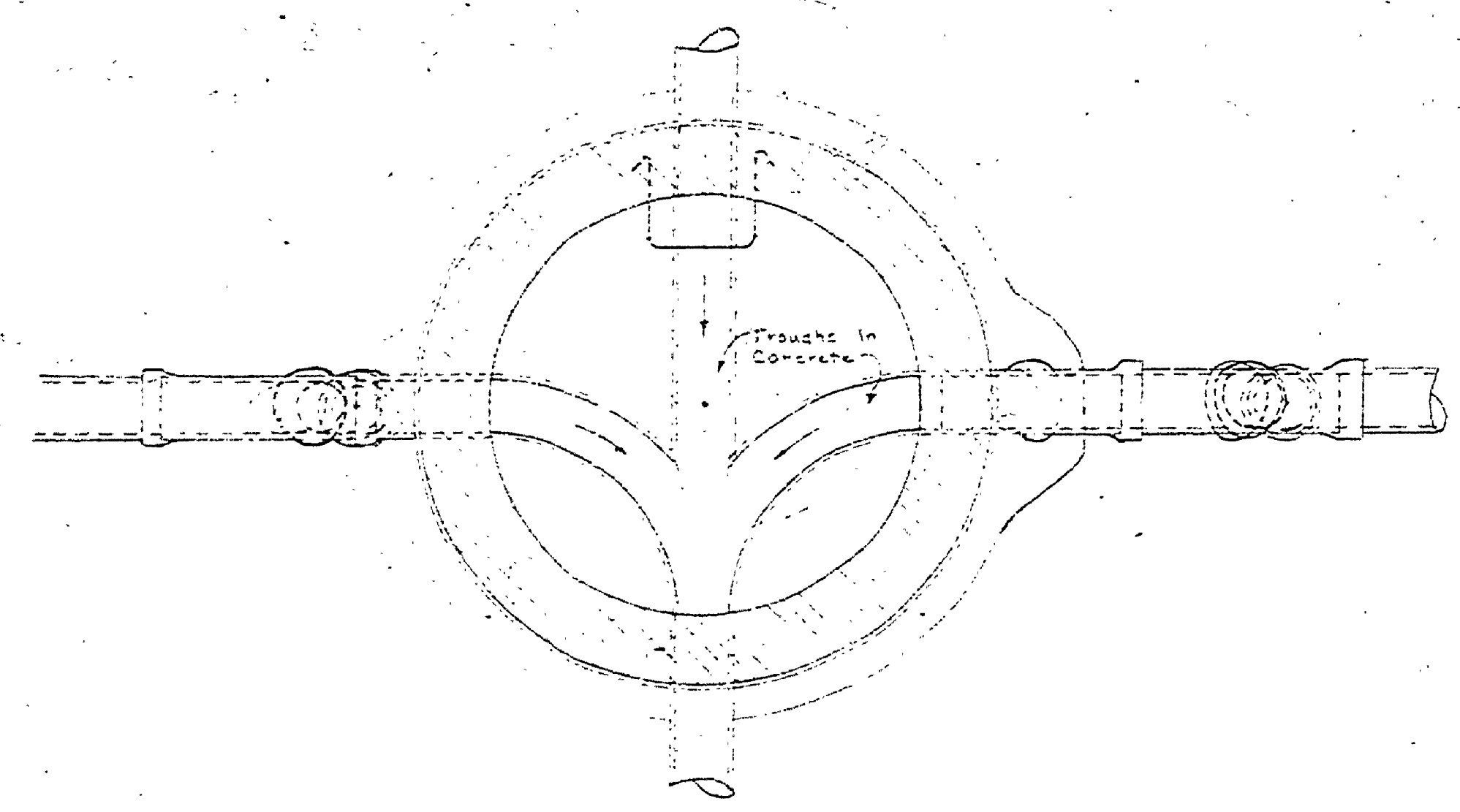
NO.	DATE	BY	REVISIONS
1	11/26/61		4
2			5
3			6

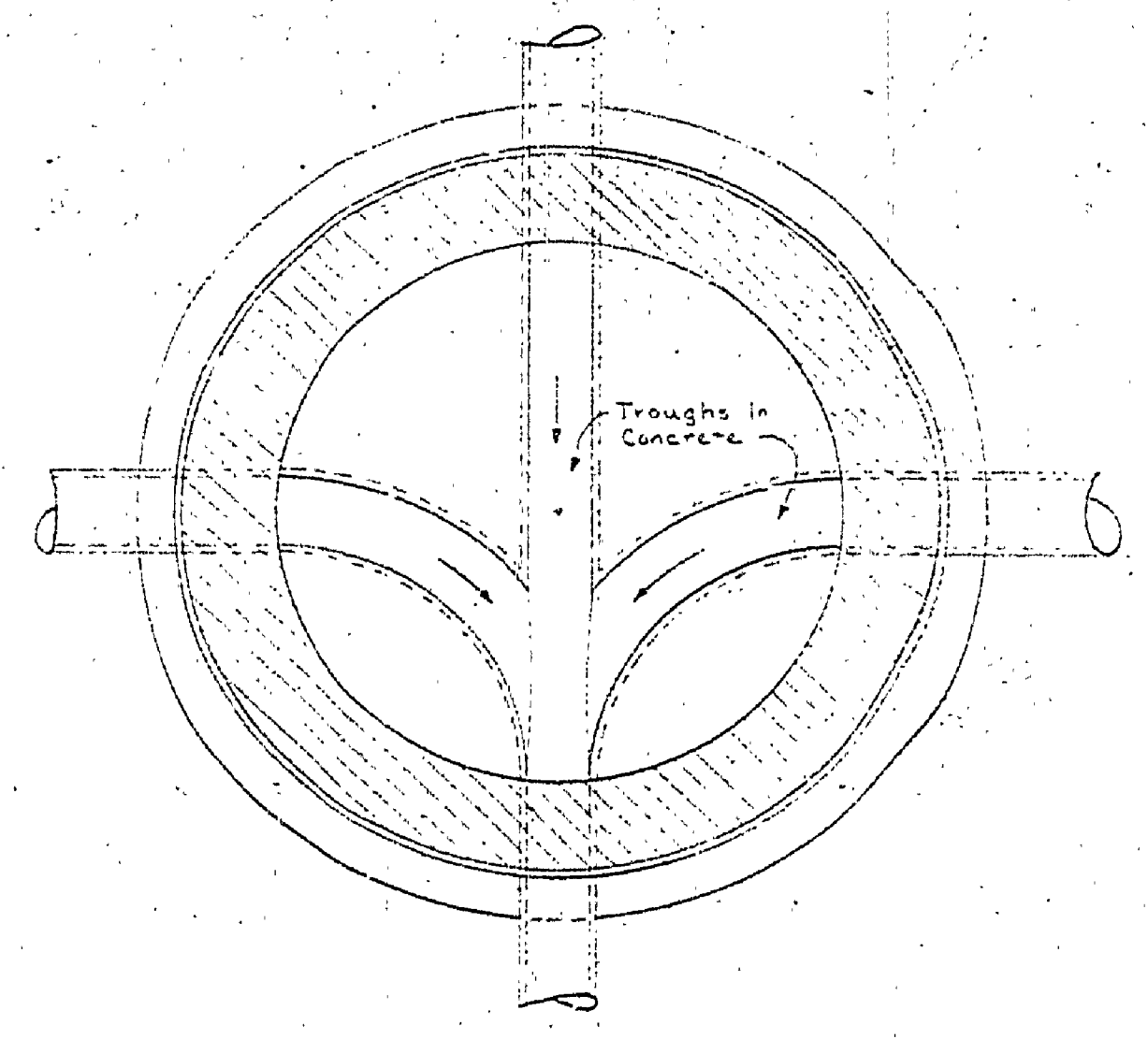
NO.	DATE	BY	REVISIONS
1	11/26/61		4
2			5
3			6

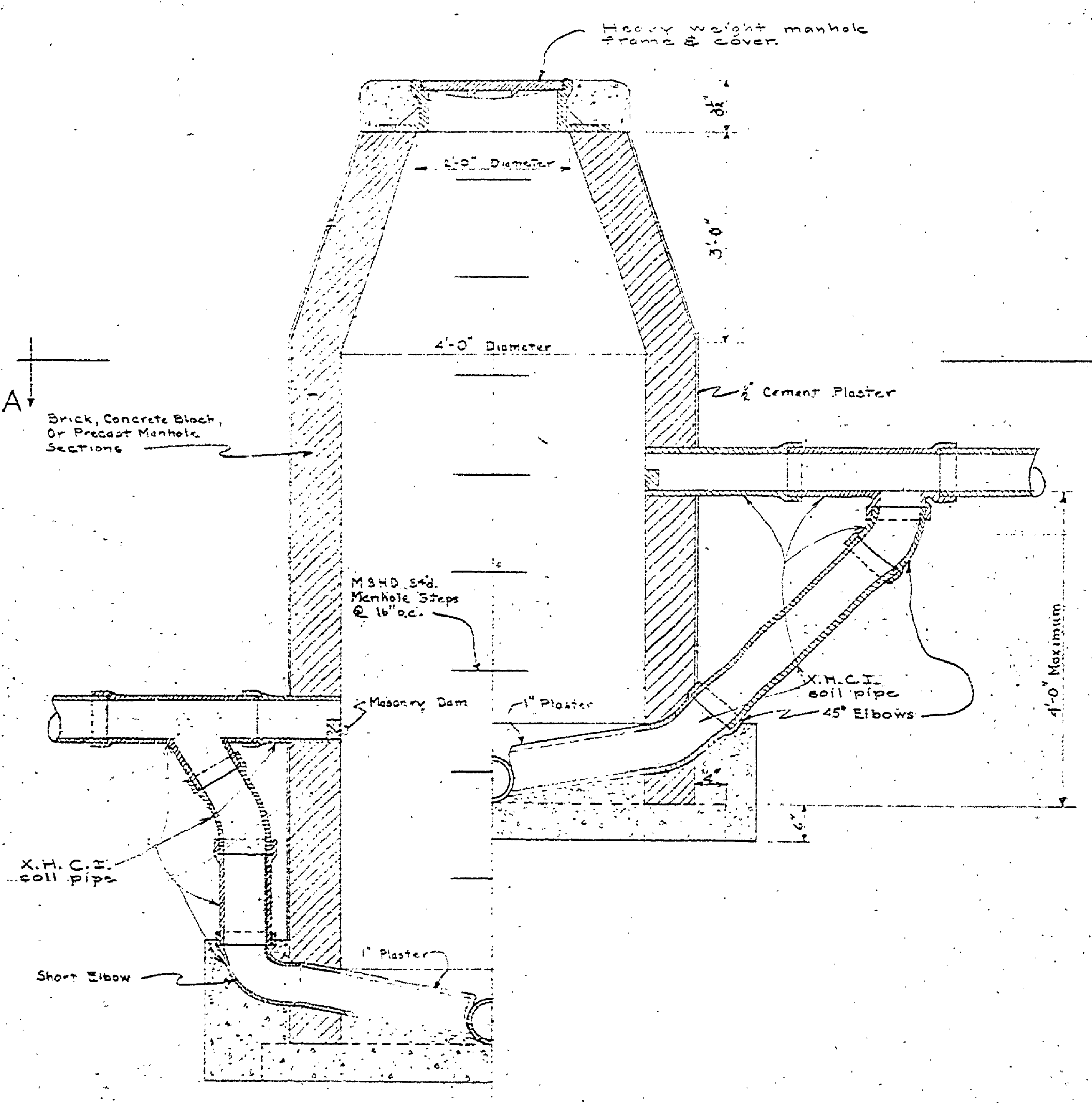
NO.	DATE	BY	REVISIONS
1	11/26/61		4
2			5
3			6



PLAN SECTION A-A



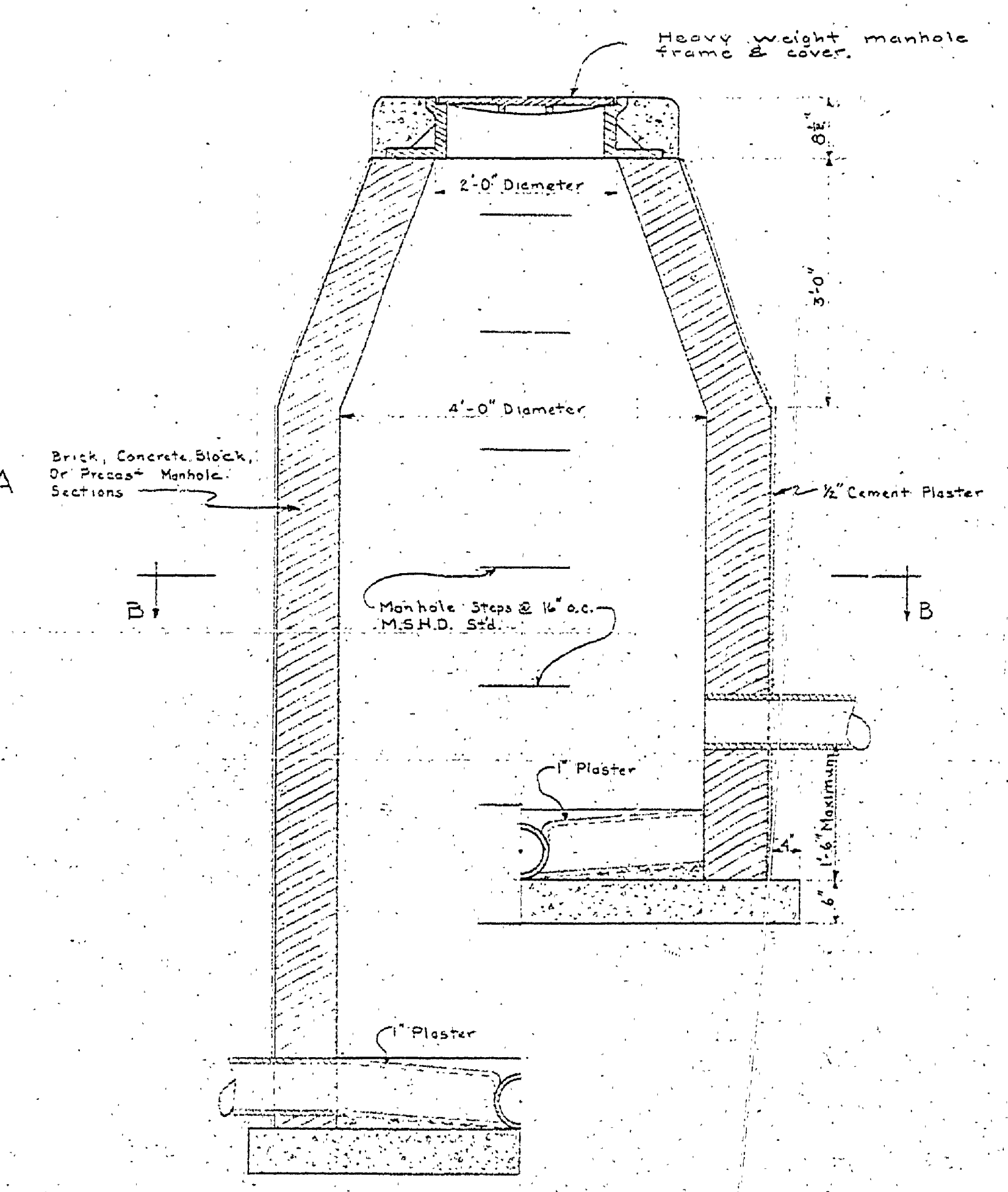
PLAN SECTION B-B



LONG DROP SECTION

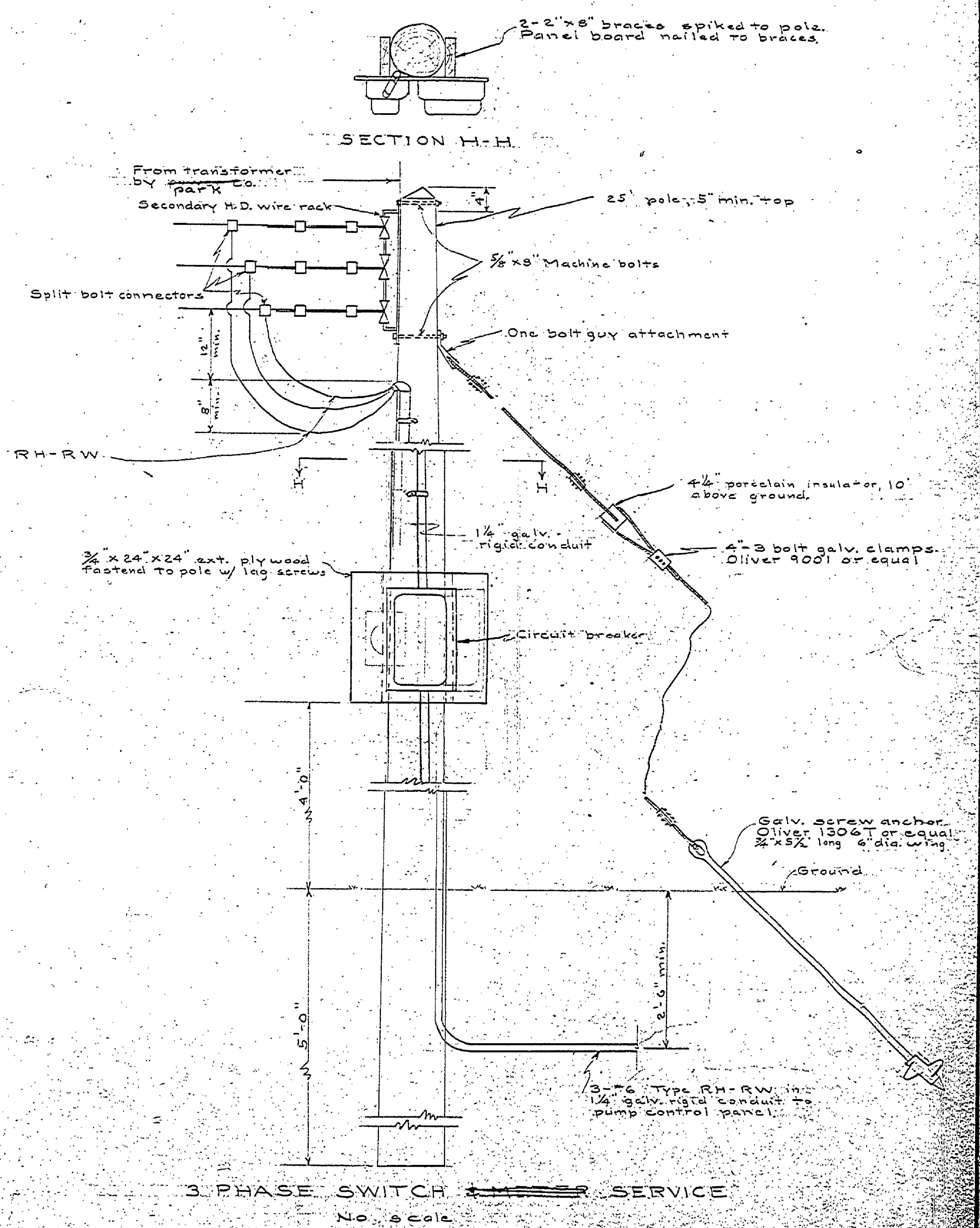
DROP MANHOLE

Scale 3/4" = 1'-0"



REGULAR MANHOLE SECTION

Scale 3/4" = 1'-0"



3-PHASE SWITCH GEAR SERVICE  
No. 5 scale

MANHOLES & MISC. DETAILS

MICHIGAN DEPARTMENT OF CONSERVATION  
PARKS AND RECREATION DIVISION

HARRISVILLE STATE PARK  
CENTRAL SEWAGE DISPOSAL SYSTEM  
SCALE: AS SHOWN

SHEET NO. 5 OF 6  
PLAN NO. F112