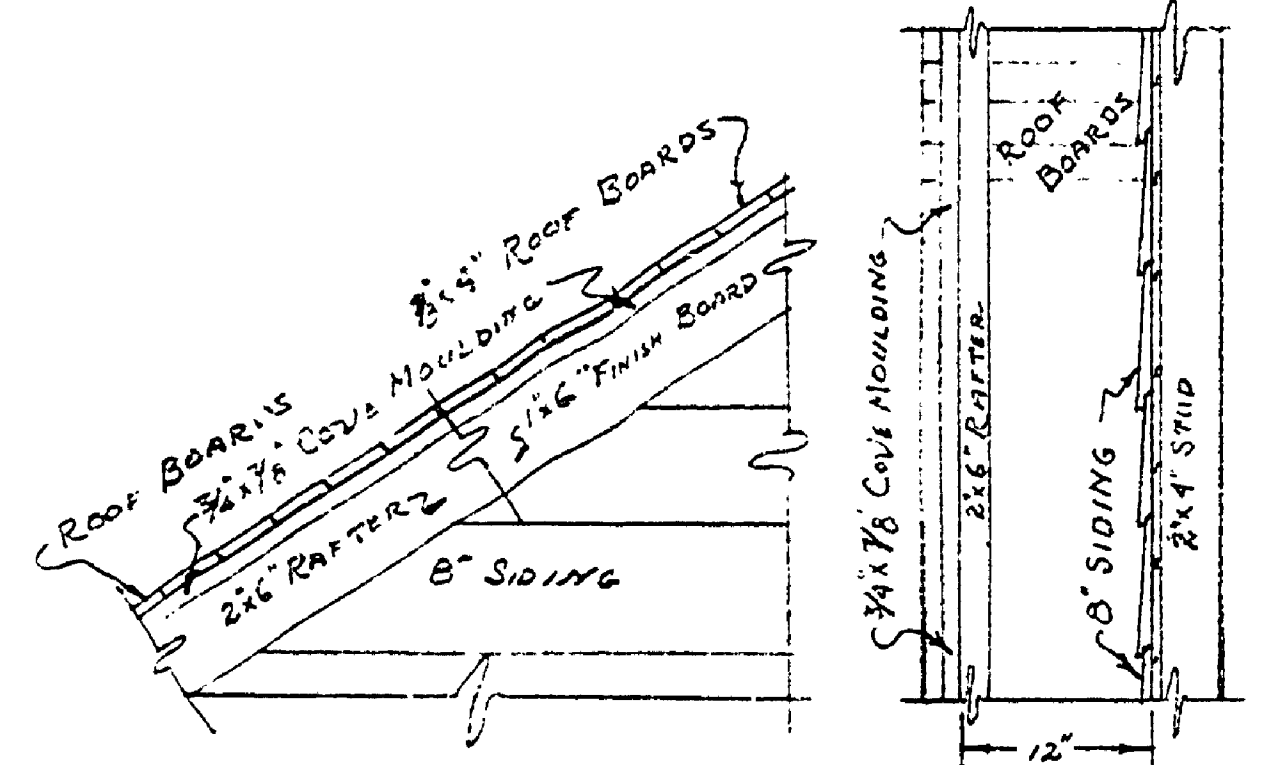
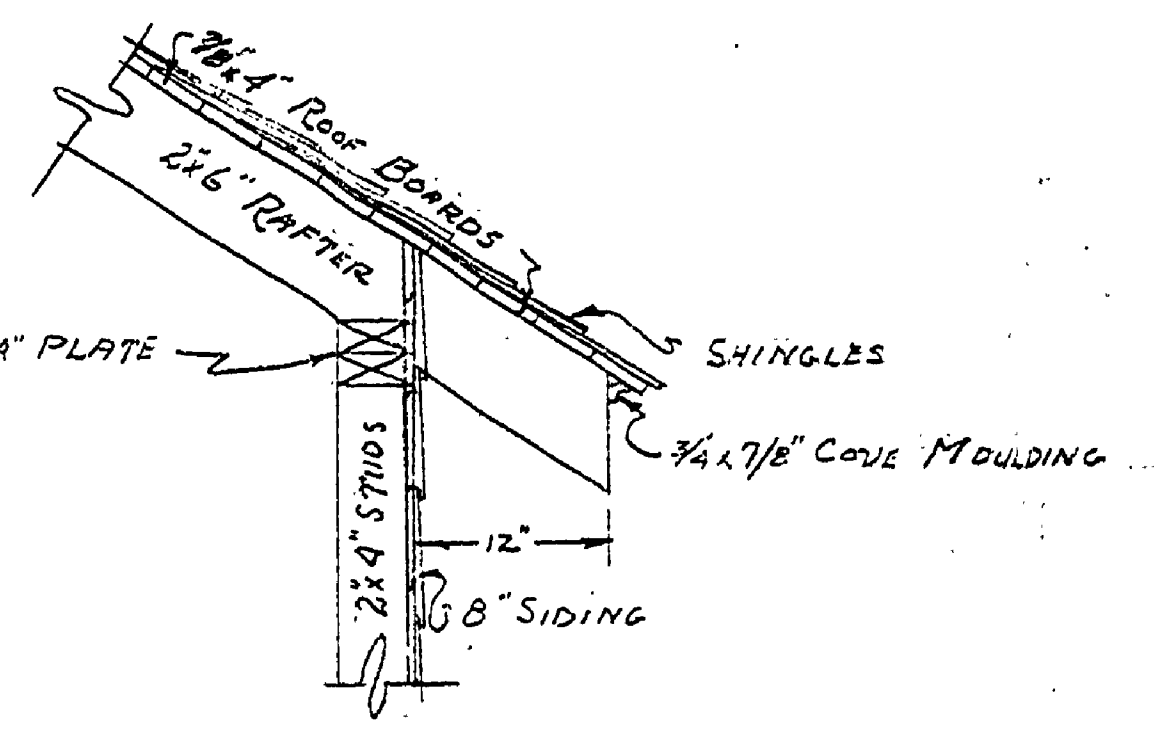


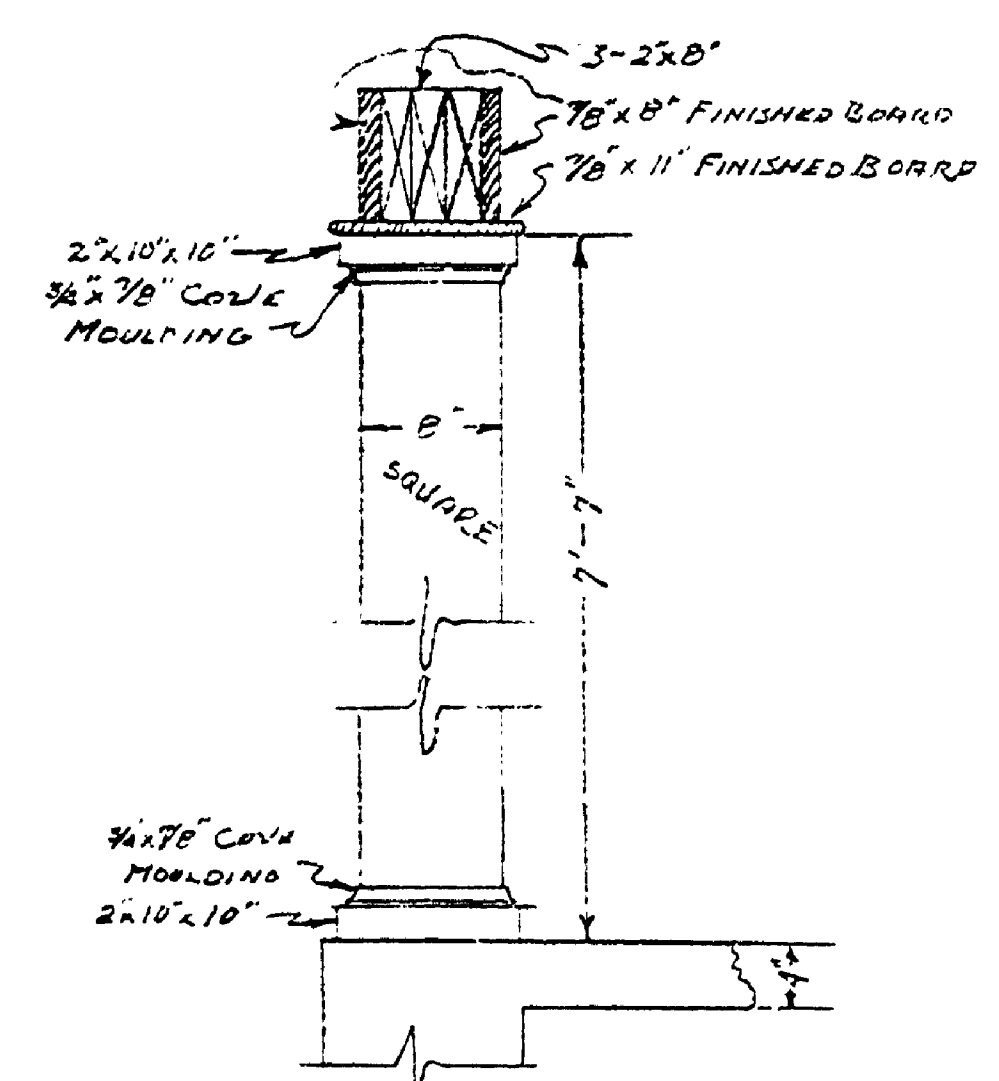
RAFTER DETAILS
SCALE: 1" = 4'-0"



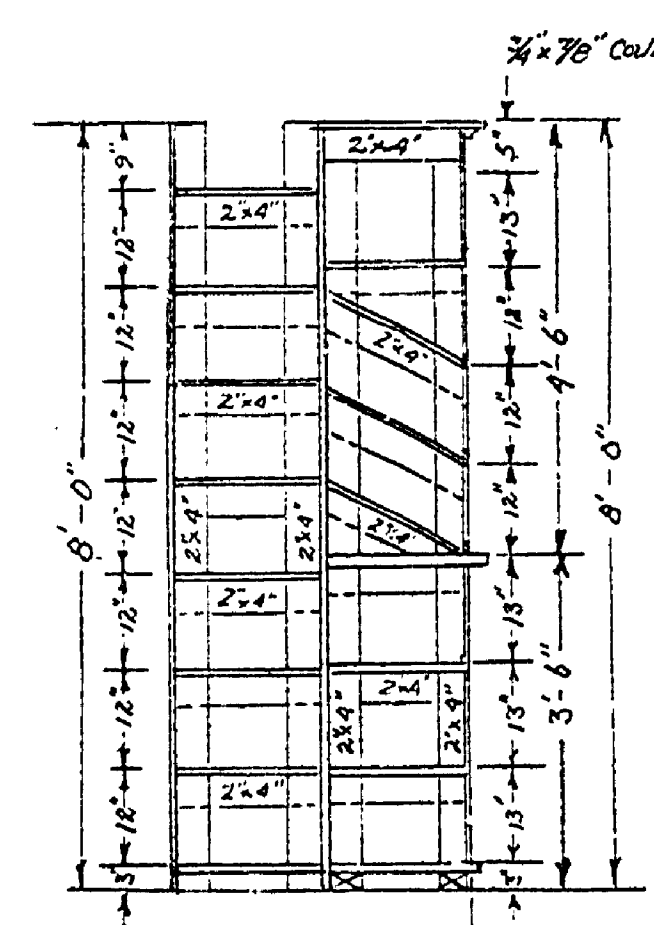
PROJECTION DETAILS
SCALE: 1" = 1'-0"



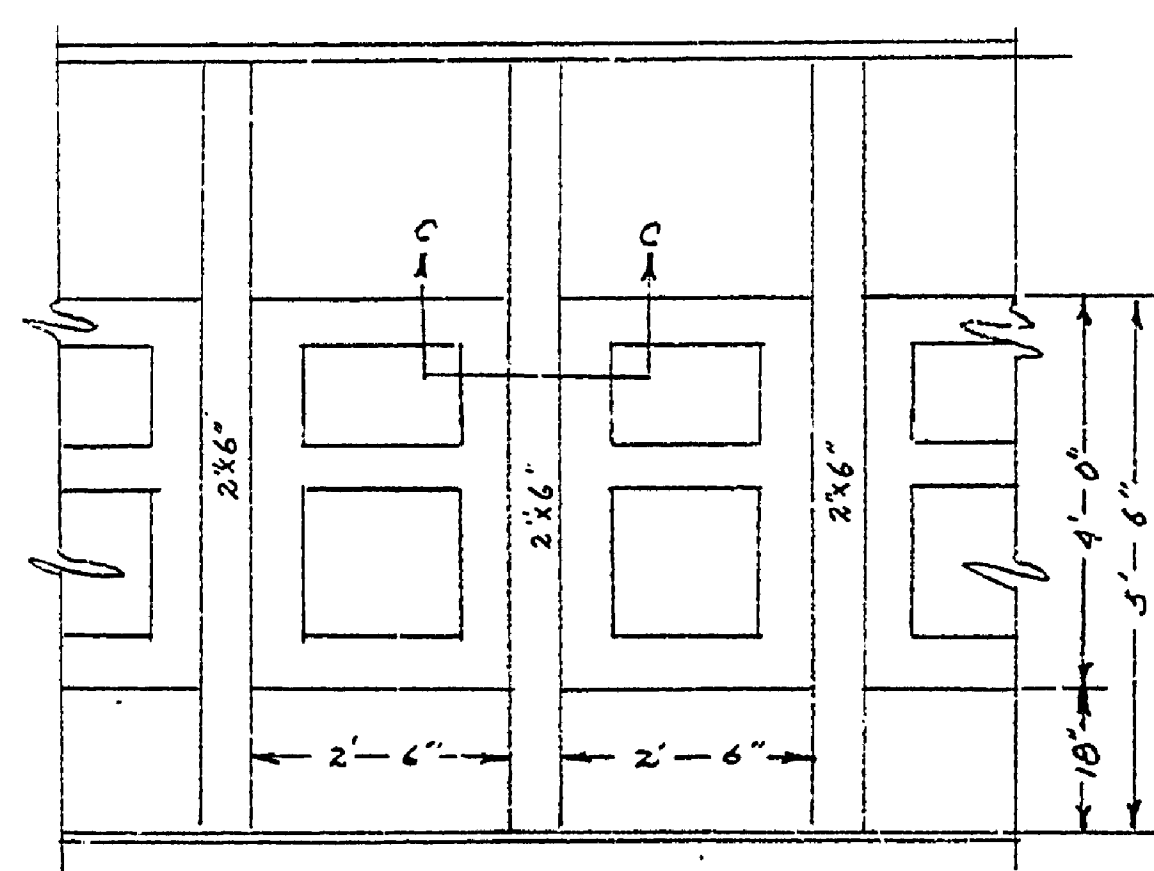
OVERHANG DETAILS
SCALE: 1" = 1'-0"



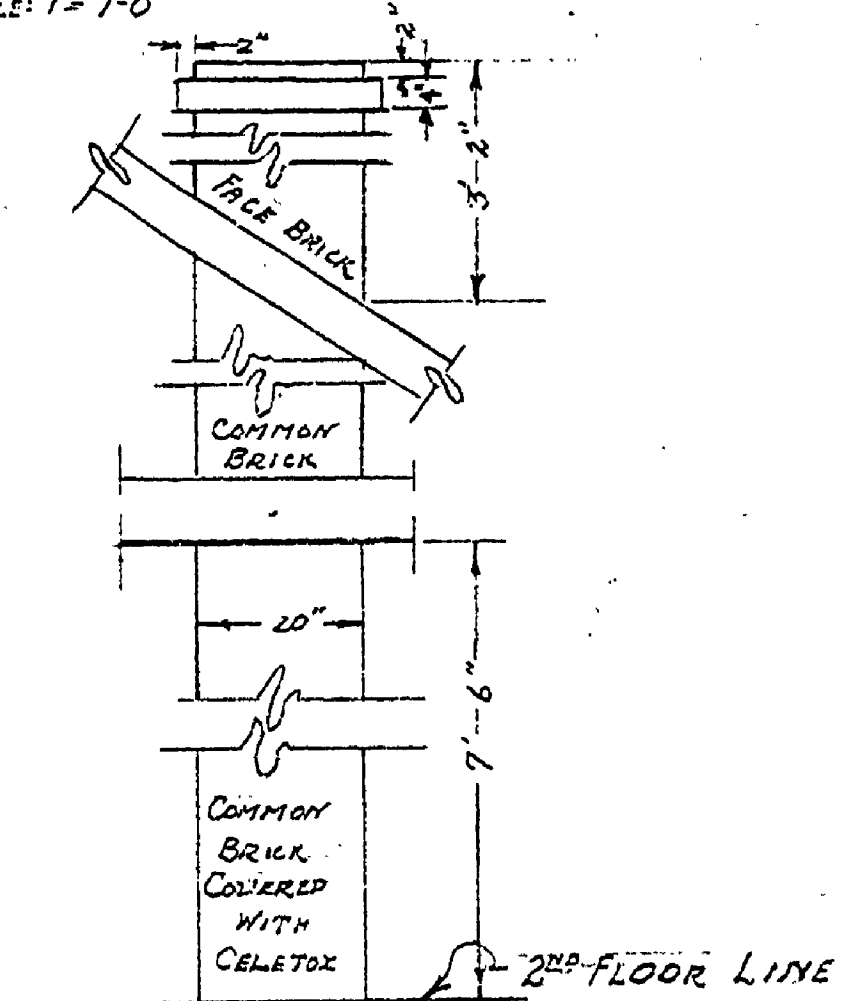
POST DETAILS
SCALE: 1" = 1'-0"



SECTION THRU STORE
SCALE: 1" = 2'-0"



TYPICAL BOOTH ELEVATION
SCALE: 1" = 2'-0"



CHIMNEY DETAILS
SCALE: 1" = 2'-0"

PLAN of
BATH HOUSE
DEPARTMENT of CONSERVATION
Division of STATE PARKS
SCALE AS INDICATED
B-ZS-C-RMS-H.C.M.