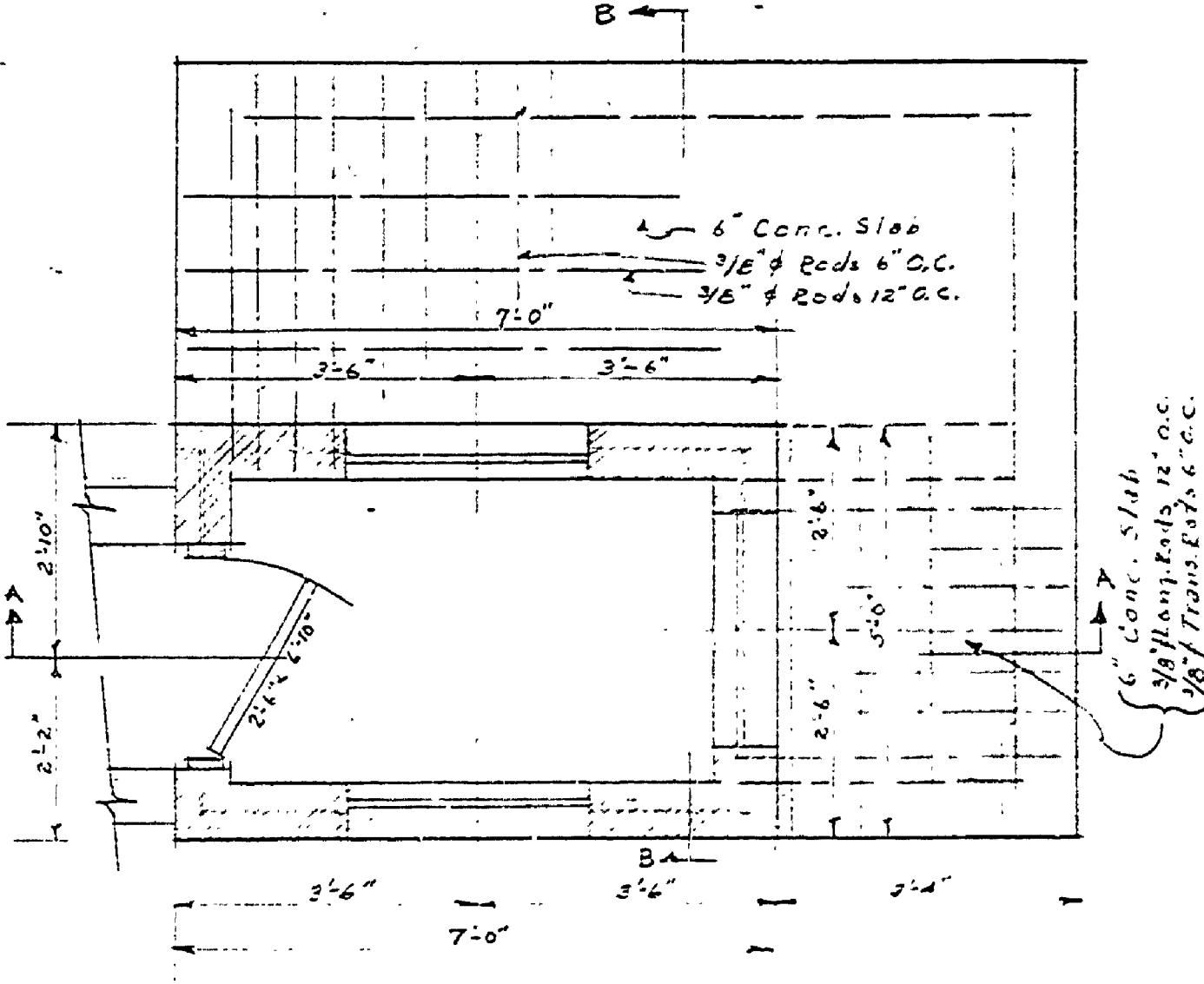
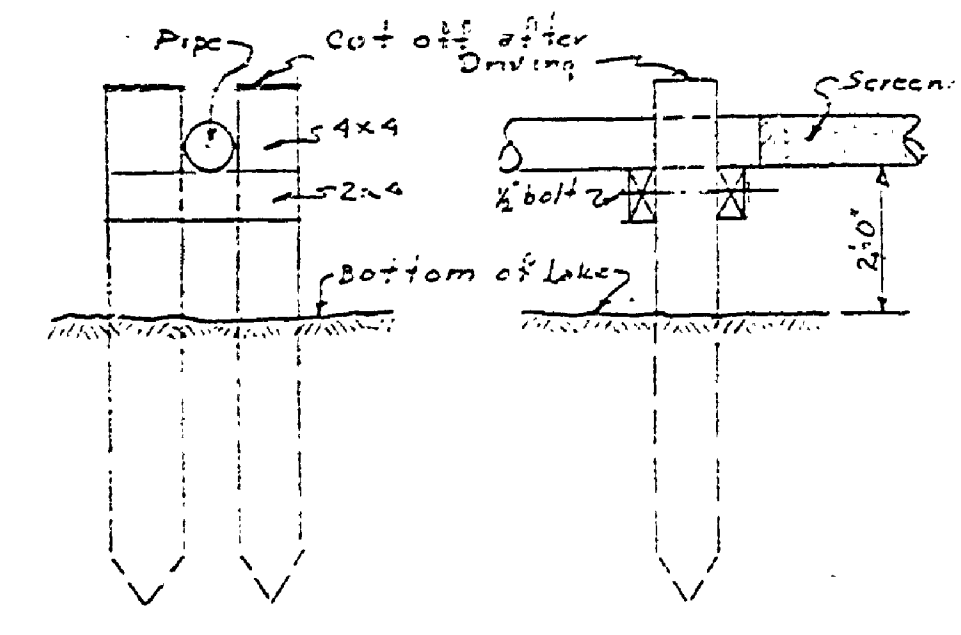


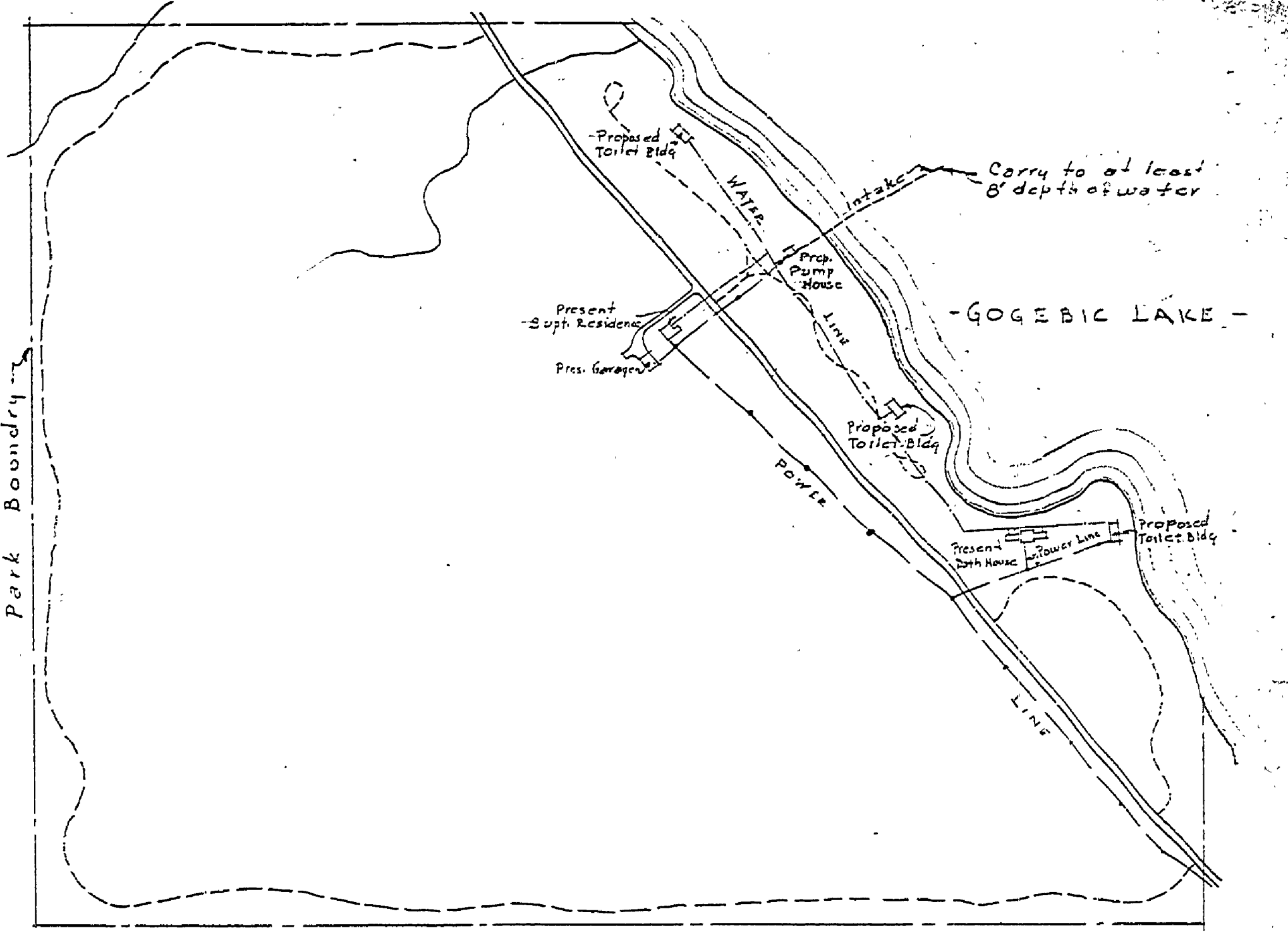
FLOOR PLAN  
Scale 1/2" = 1'-0"



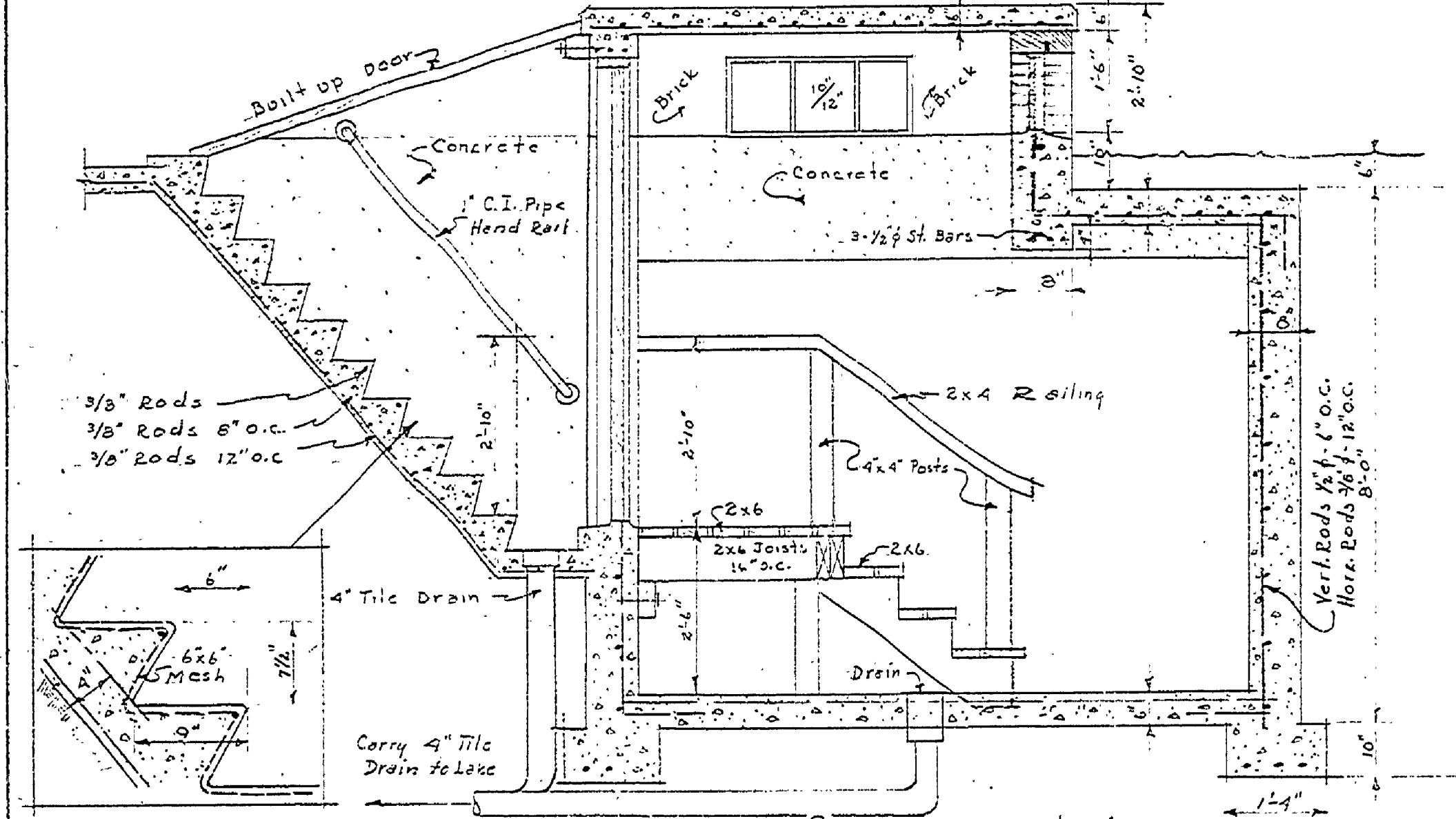
GROUND FLOOR PLAN  
Scale 1/2" = 1'-0"



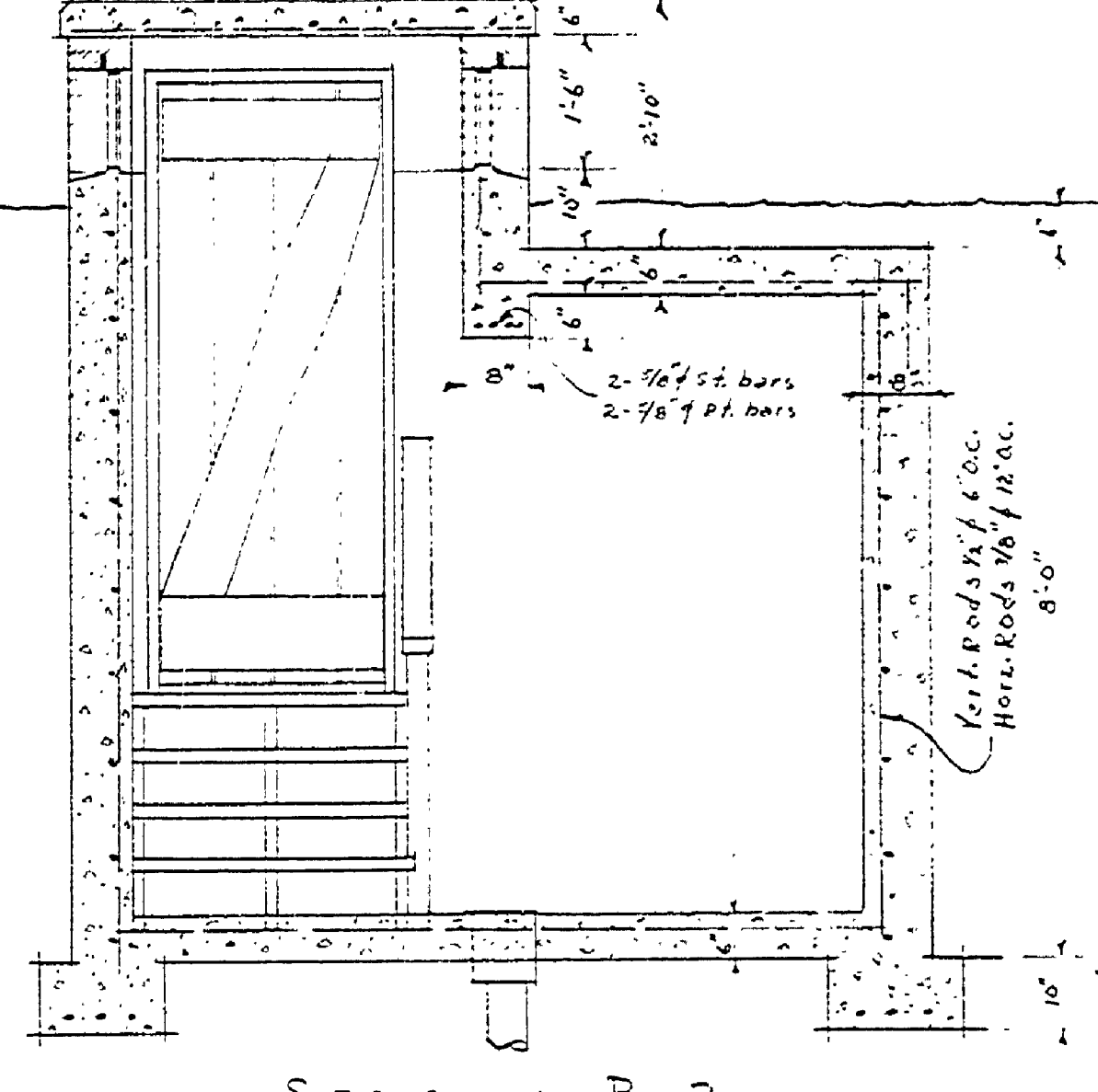
SUGGESTED PLAN FOR  
LAYING OUT INTAKE SCREENS  
Scale 1" = 1'-0"



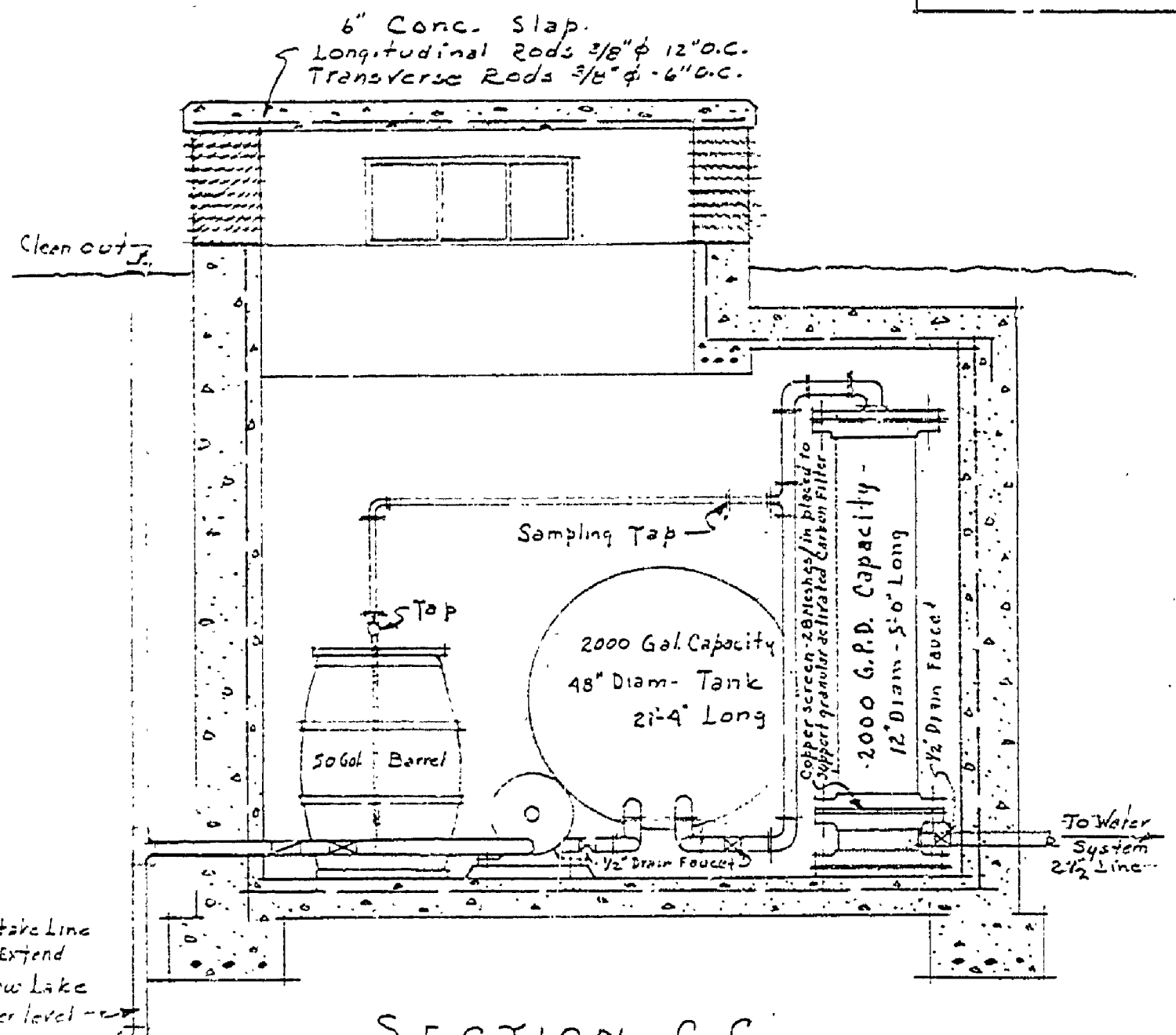
LOCATION PLAN  
GOGEBIC LAKE STATE PARK  
POWER LINE & WATER SYSTEM



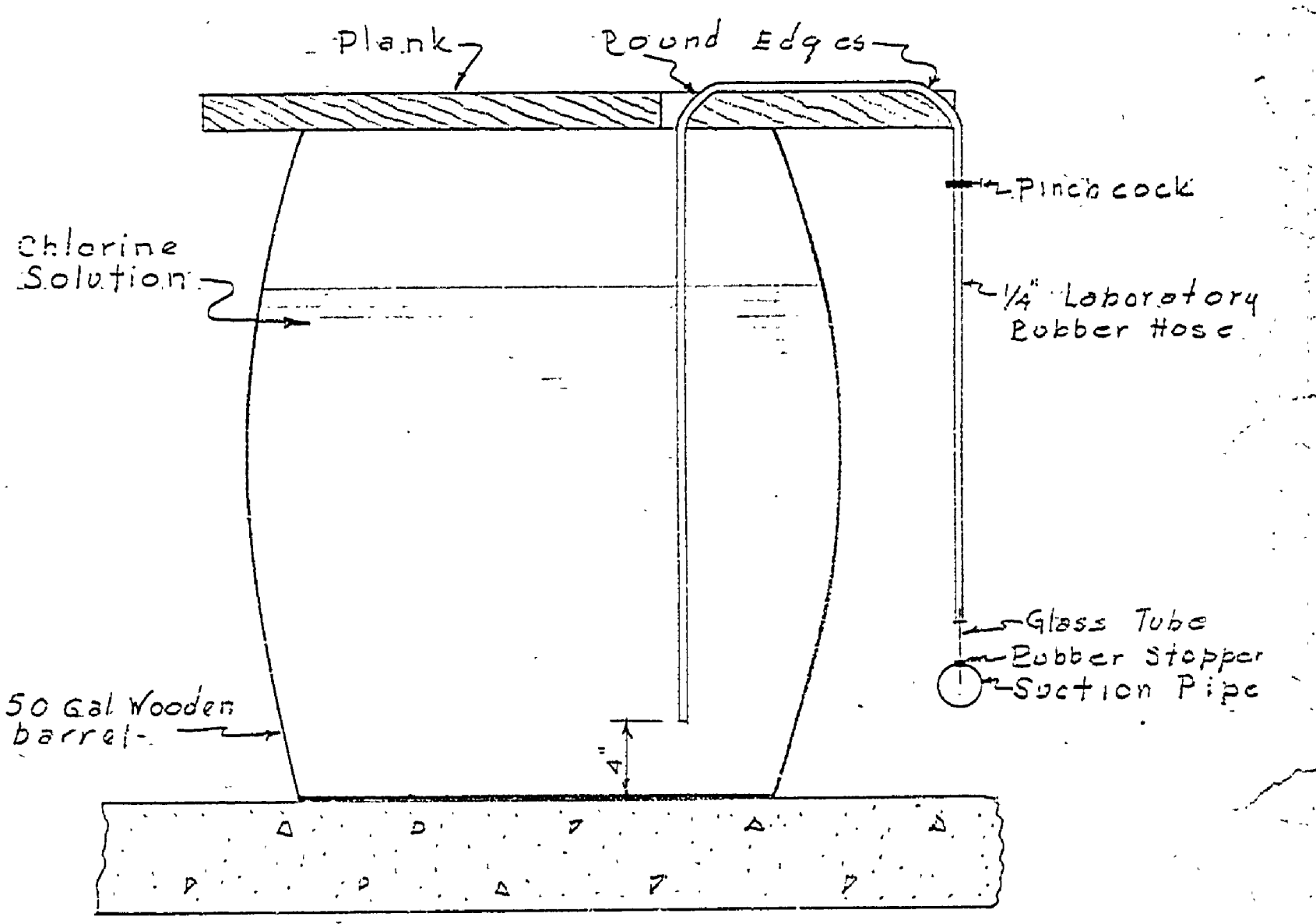
SECTION A-A  
Scale 1/2" = 1'-0"



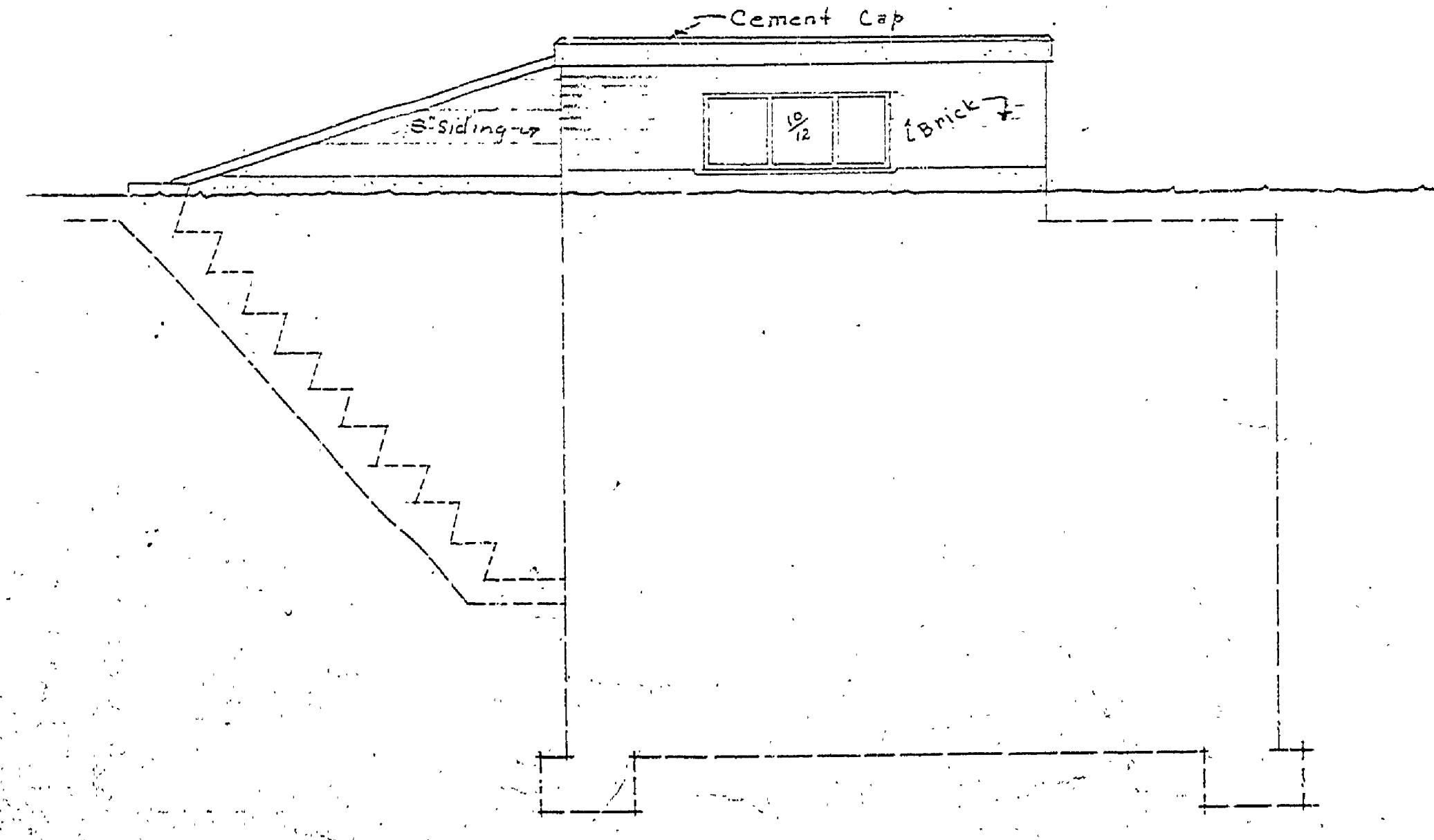
SECTION B-B  
Scale 1/2" = 1'-0"



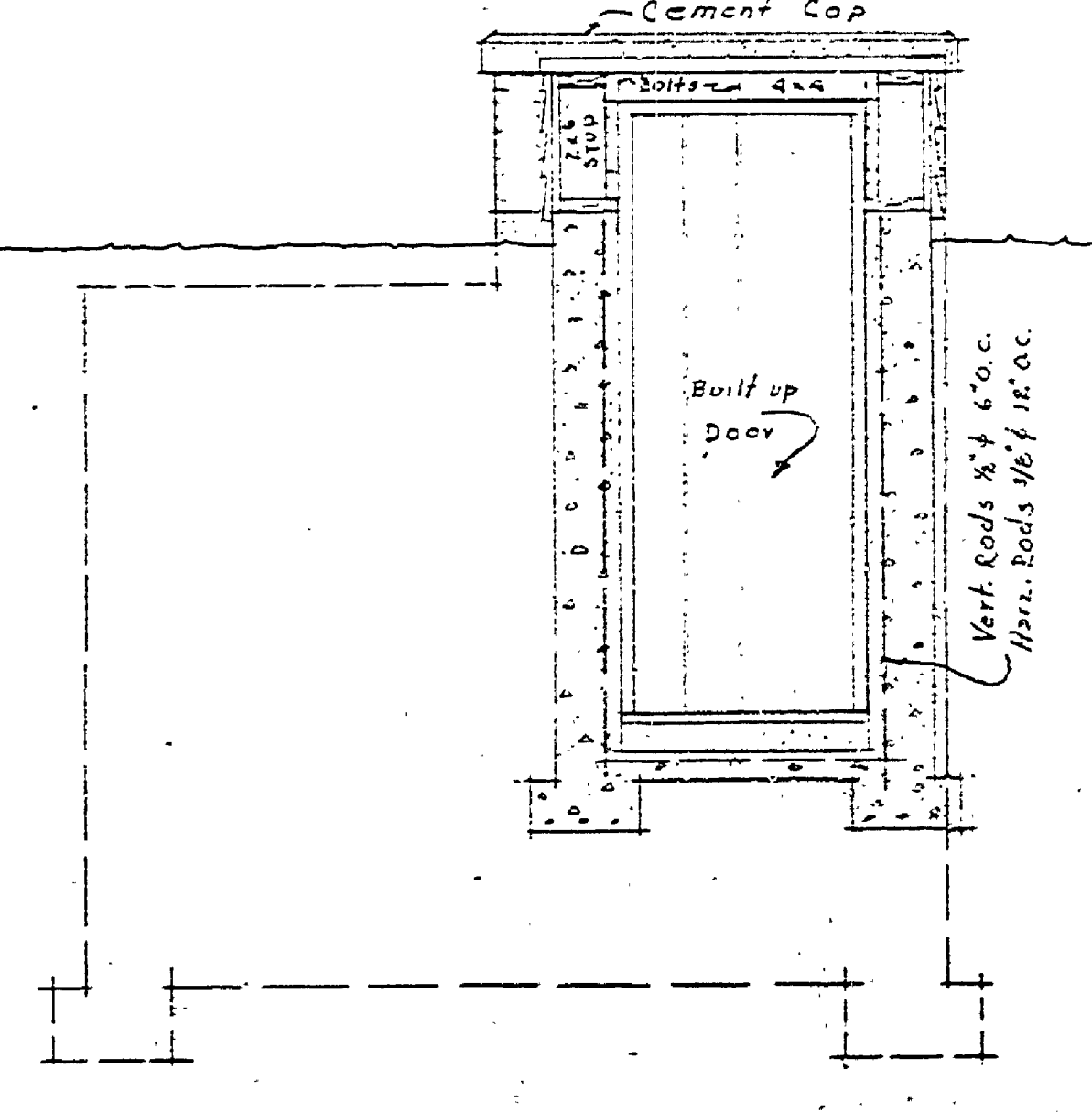
SECTION C-C  
Scale 1/2" = 1'-0"



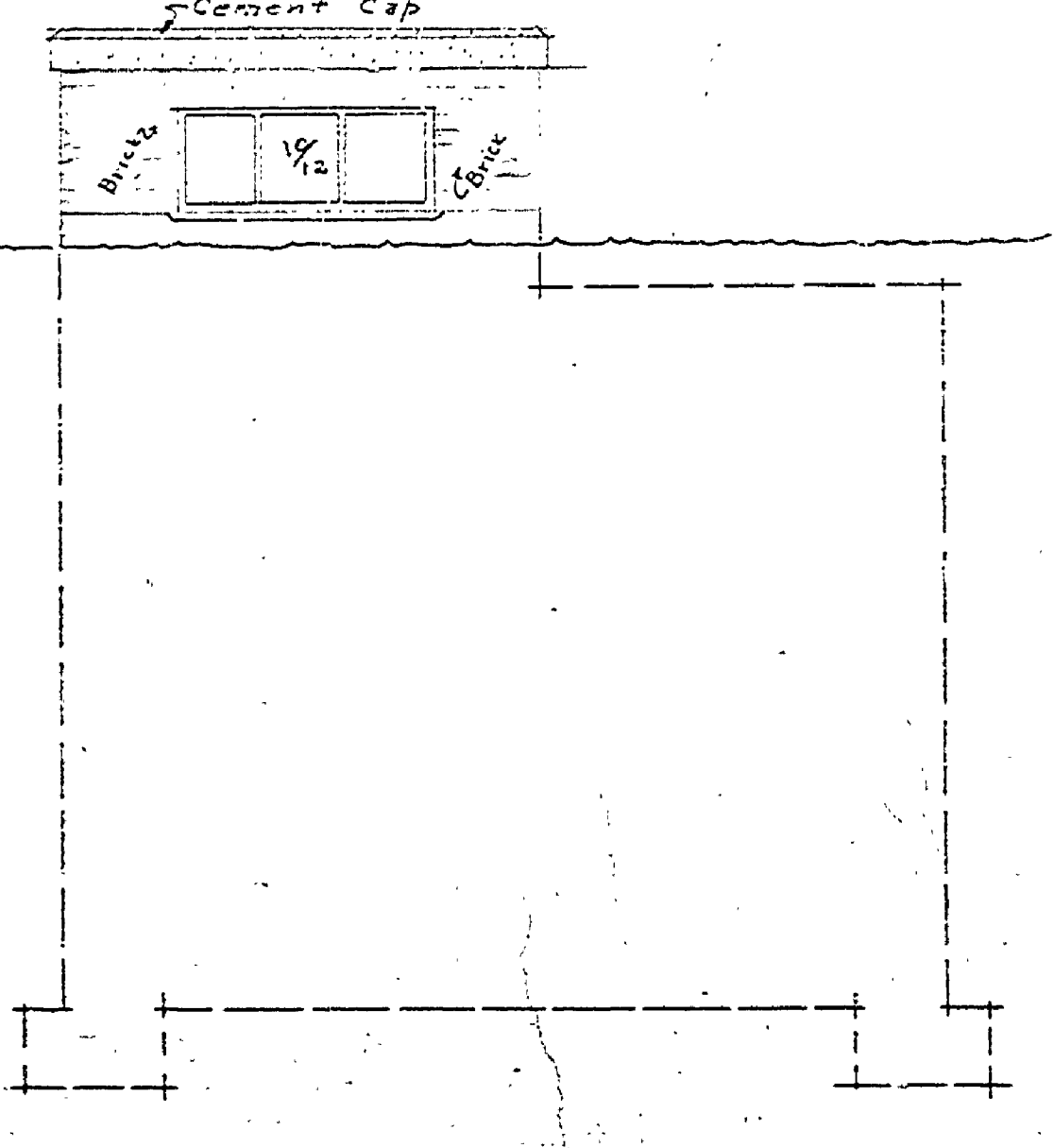
DETAILS OF CHLORINE BARREL



NORTH ELEVATION  
Scale: 1/2" = 1'-0"



EAST ELEVATION  
Scale: 1/2" = 1'-0"



WEST ELEVATION  
Scale: 1/2" = 1'-0"

APPROVED MICHIGAN DEPARTMENT OF HEALTH  
*Edward J. Park*  
DIRECTOR BUREAU OF ENGINEERING

U.S. DEPARTMENT OF THE INTERIOR	STATE OF MICHIGAN
NATIONAL PARK SERVICE	GOGEBIC LAKE STATE PARK - 55-S
STATE PARK EMERGENCY CONSERVATION WORK	POWER LINE WATER SYSTEM PROJECT NO. 31
CHECKED BY: DATE	DESIGNED BY: DATE
RECOMMENDED FOR CONSTRUCTION DATE	APPROVED FOR CONSTRUCTION DATE
DISTRICT INSPECTOR	DISTRICT OFFICER
PROUREMENT OFFICER ALTERNATE	APPROVED MICH. CONSERVATION COMM.
ALLOTMENT AVAILABLE	DATE
SUBMITTED BY: Supt. State Parks	DATE
DRAWN BY: T.C.I.	DATE