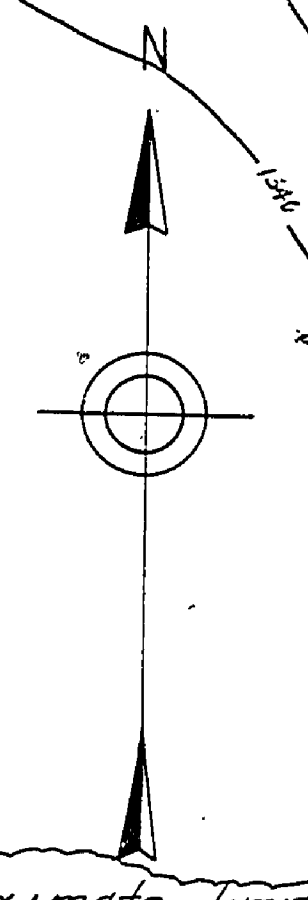
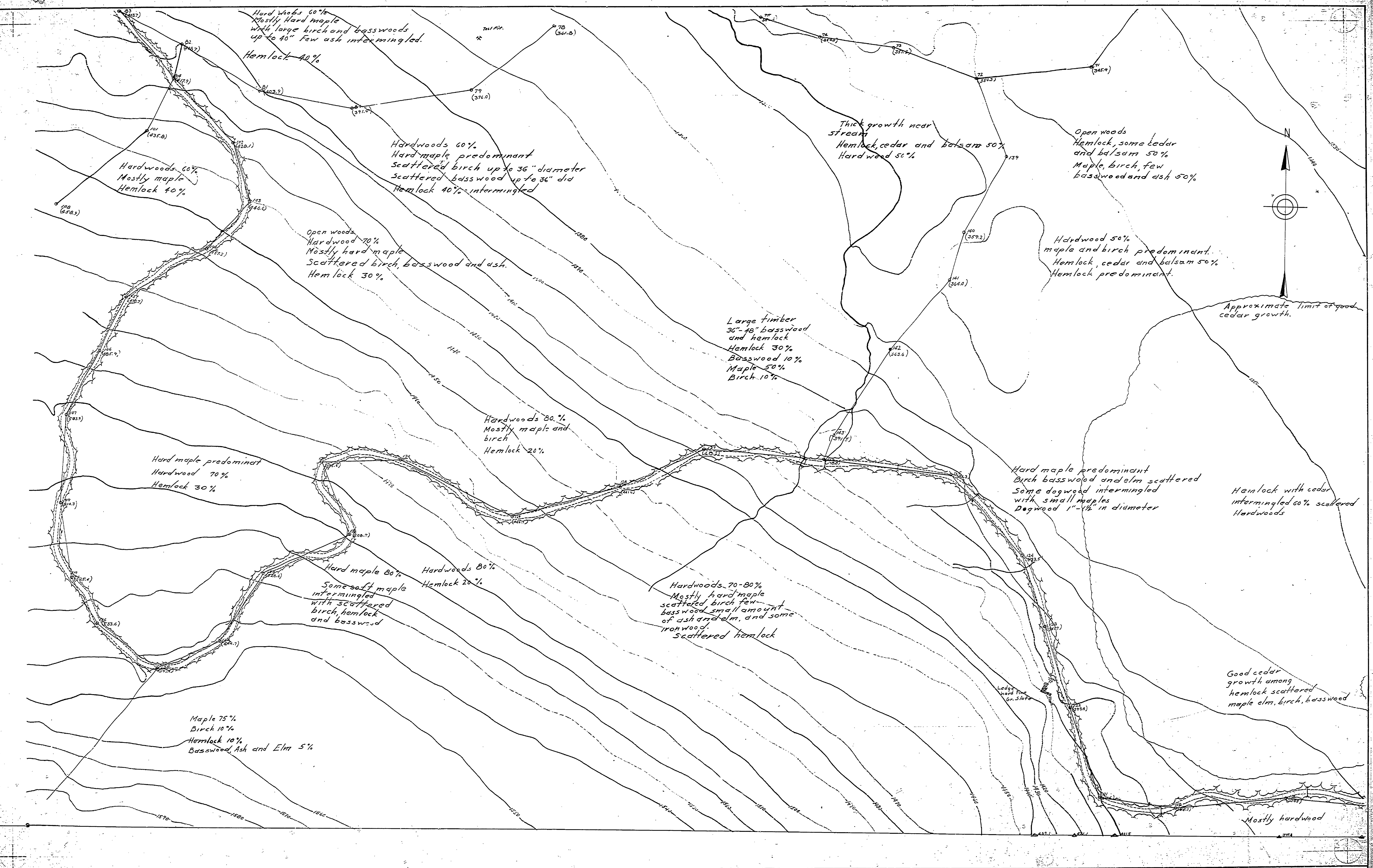


DRAWN BY	REVIEWED BY SECTIONS			APPROVED BY			NO. DATE BY			REVISIONS		
	ARCHITECTURAL	ENGINEERING	LANDSCAPE	DATE	DATE	DATE	1	2	3	4	5	6
TRACED BY	ASSISTANT CHIEF IN CHARGE						DATE					
CHECKED BY	OF DESIGN						DATE					



TOPO MAP