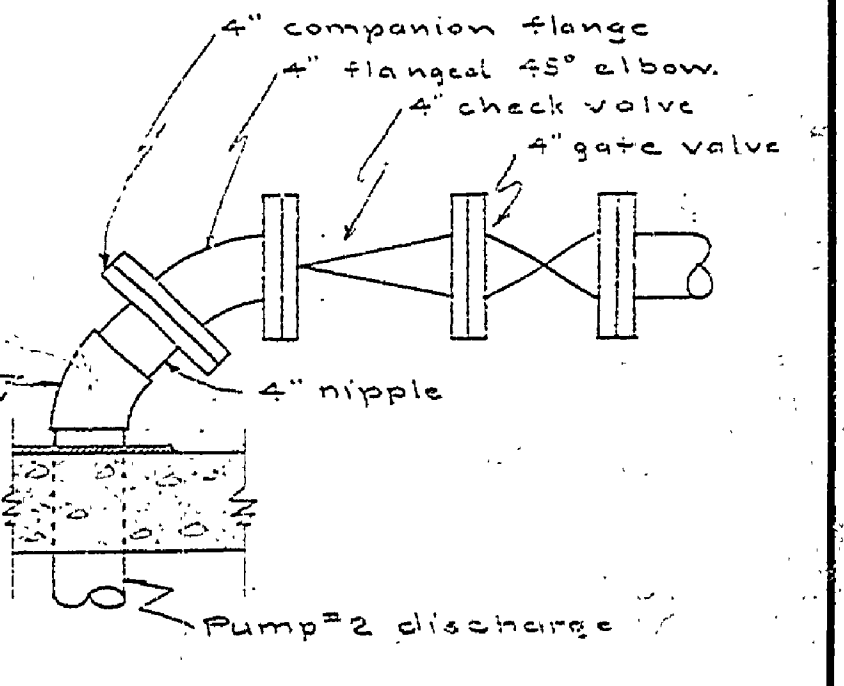
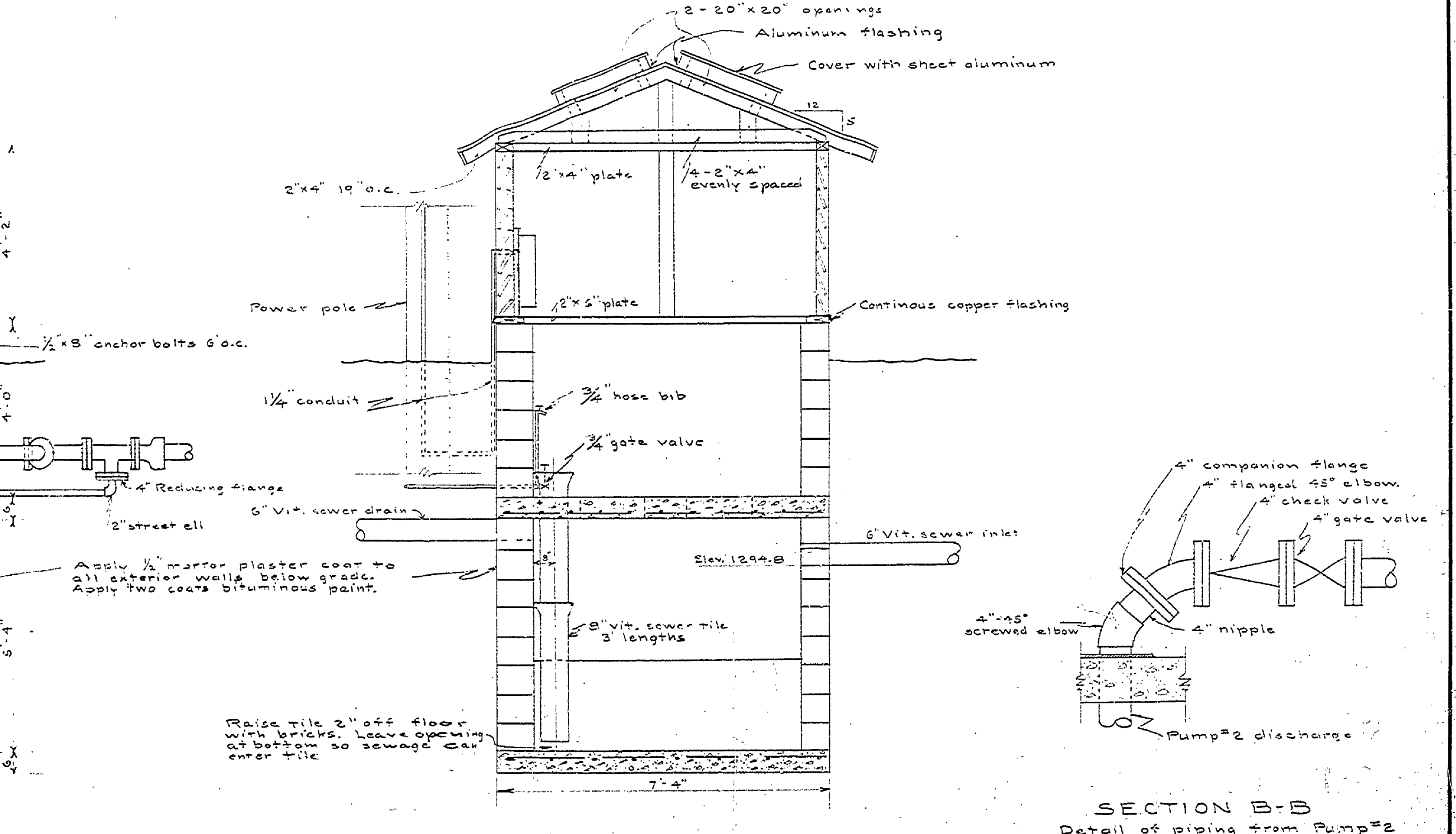
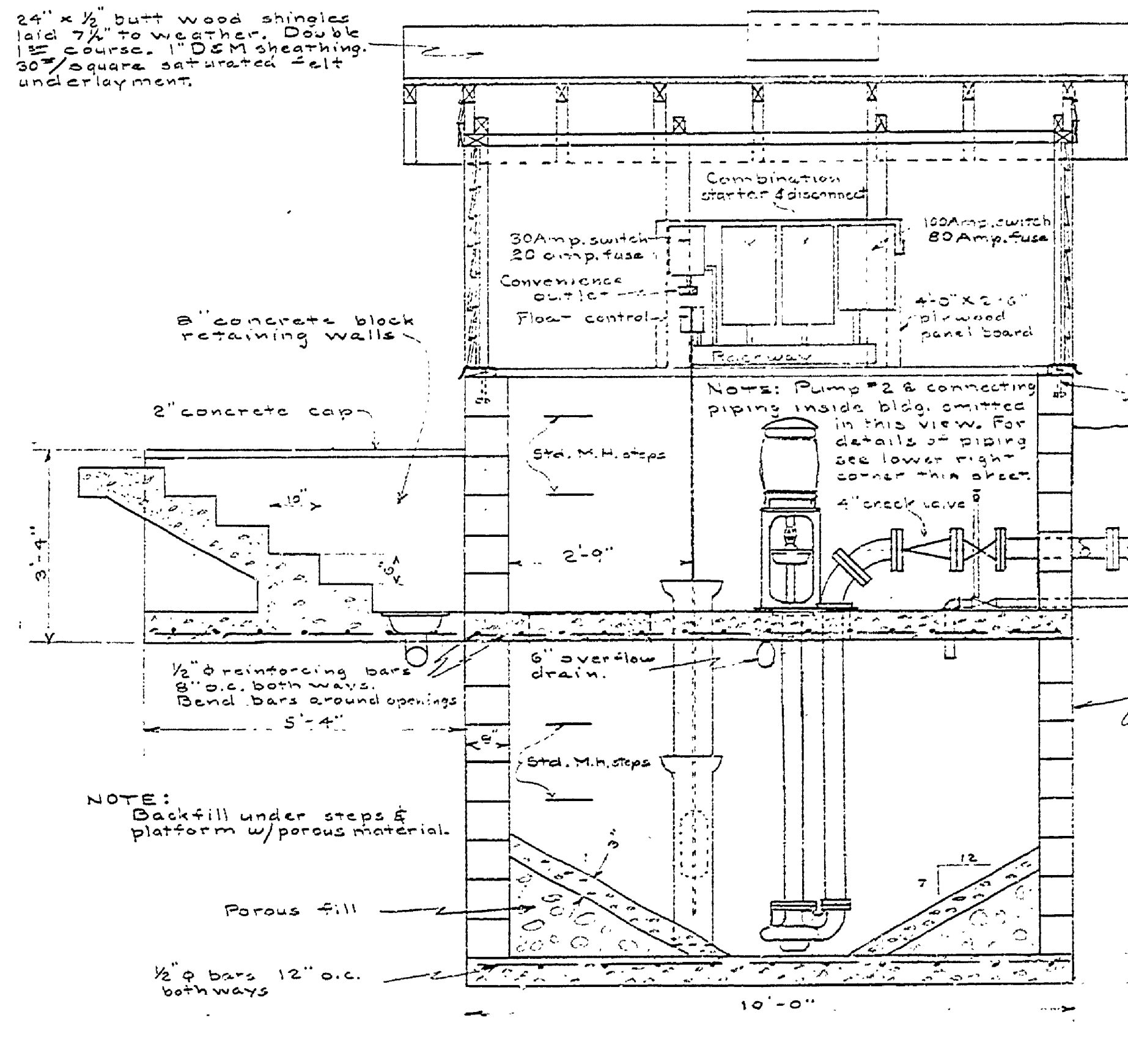
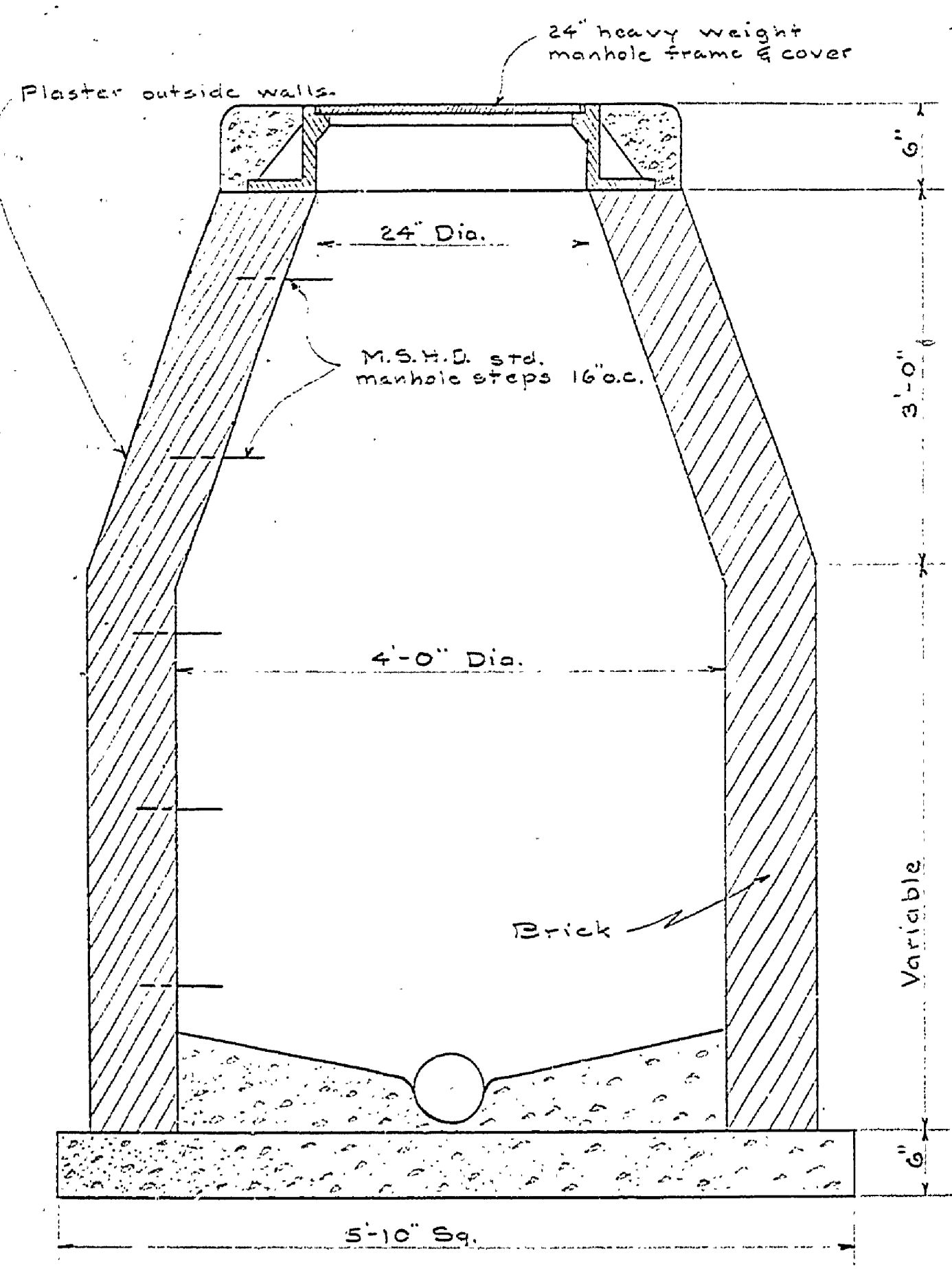
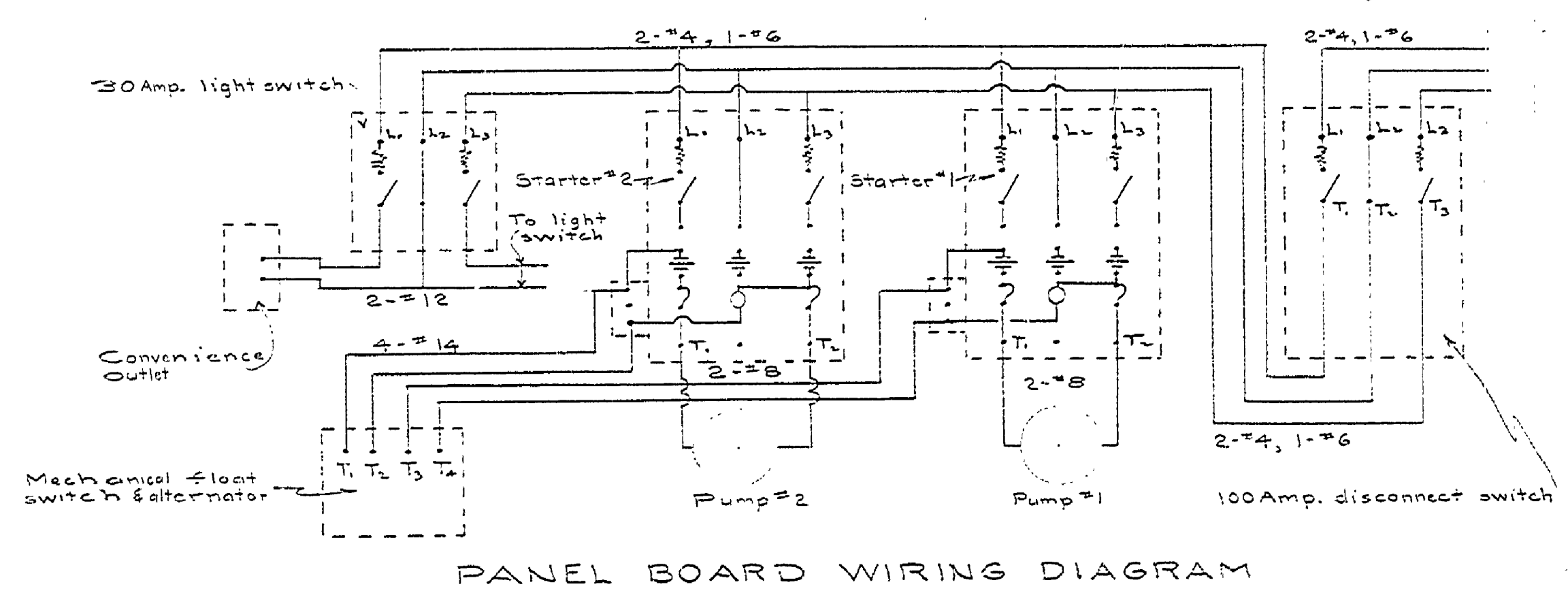
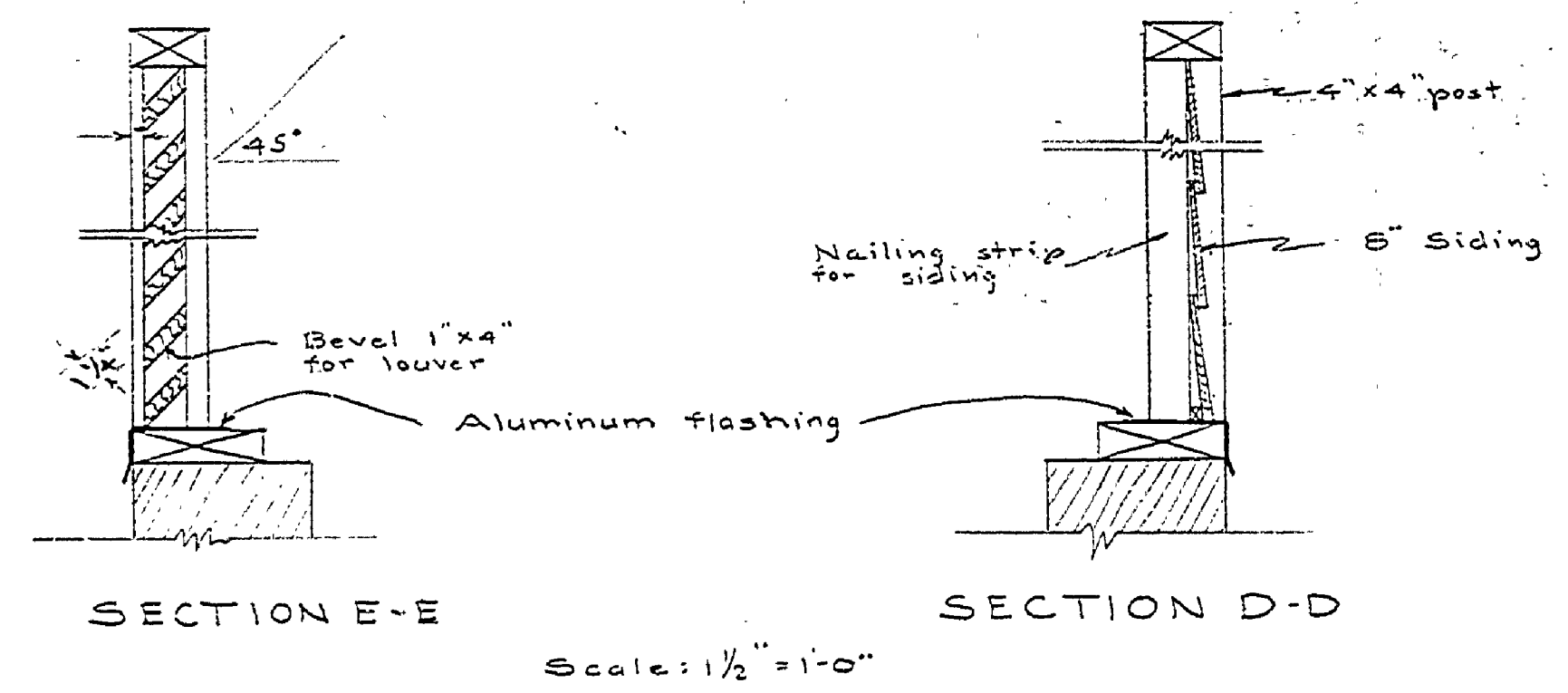
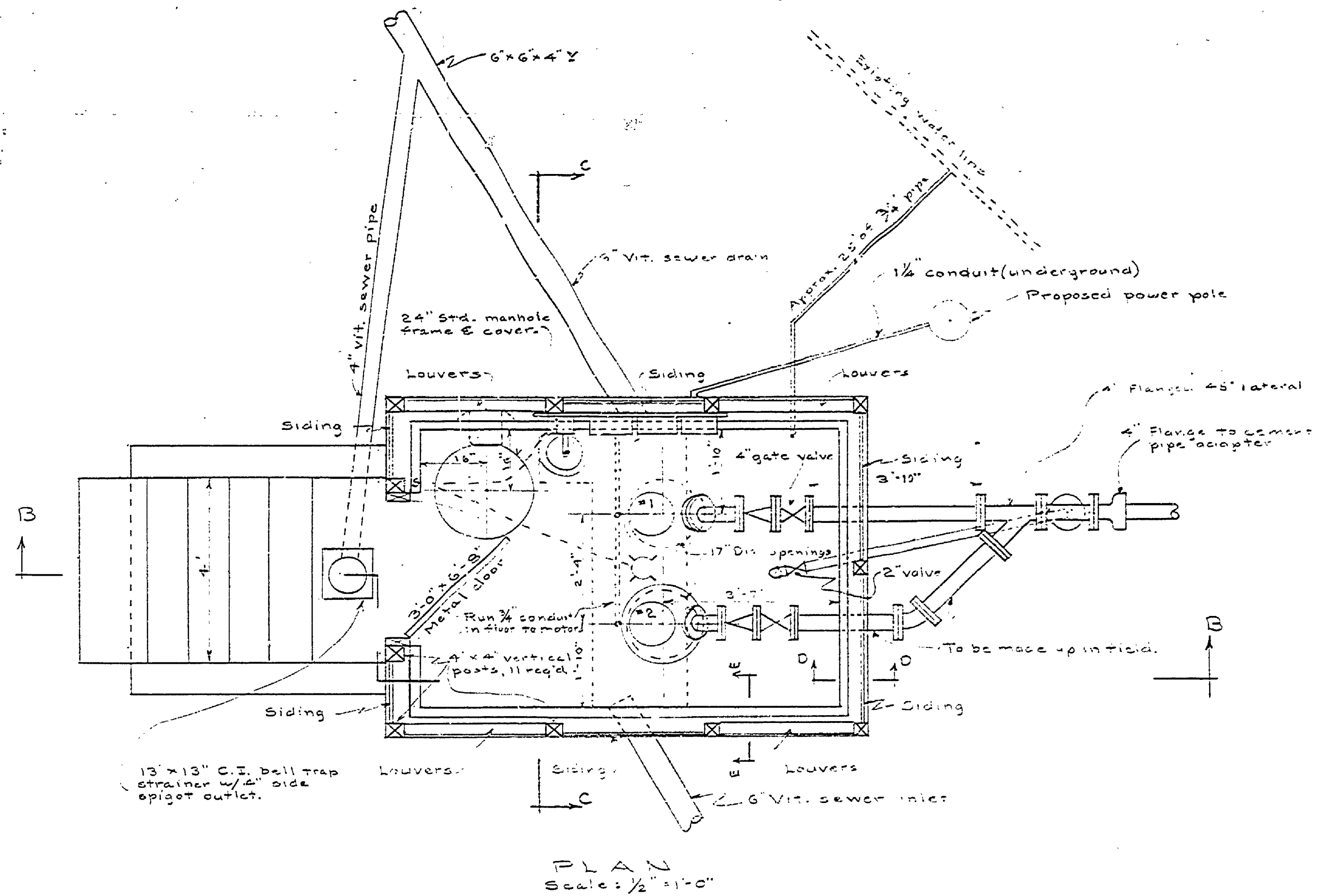
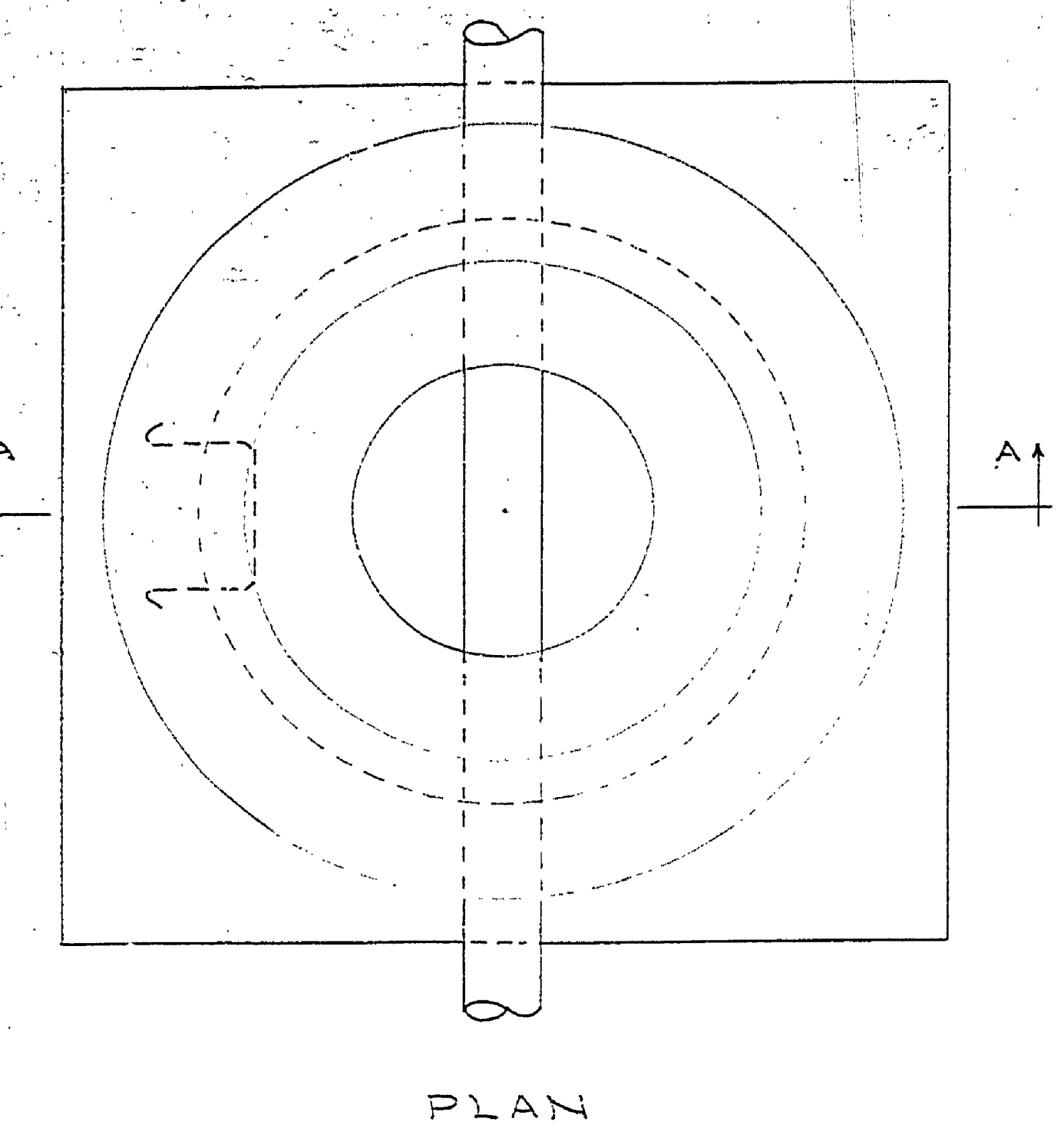


REVISIONS	NO.	DATE	BY	REASON
	1	1-10-38	J.I.R.	Pump #2 connecting piping added.
	2	1-10-38	J.I.R.	
	3	1-10-38	J.I.R.	
	4			
	5			
	6			



TYPICAL MANHOLE DETAIL
Scale: 1" = 1'-0"

SEWAGE PUMP HOUSE