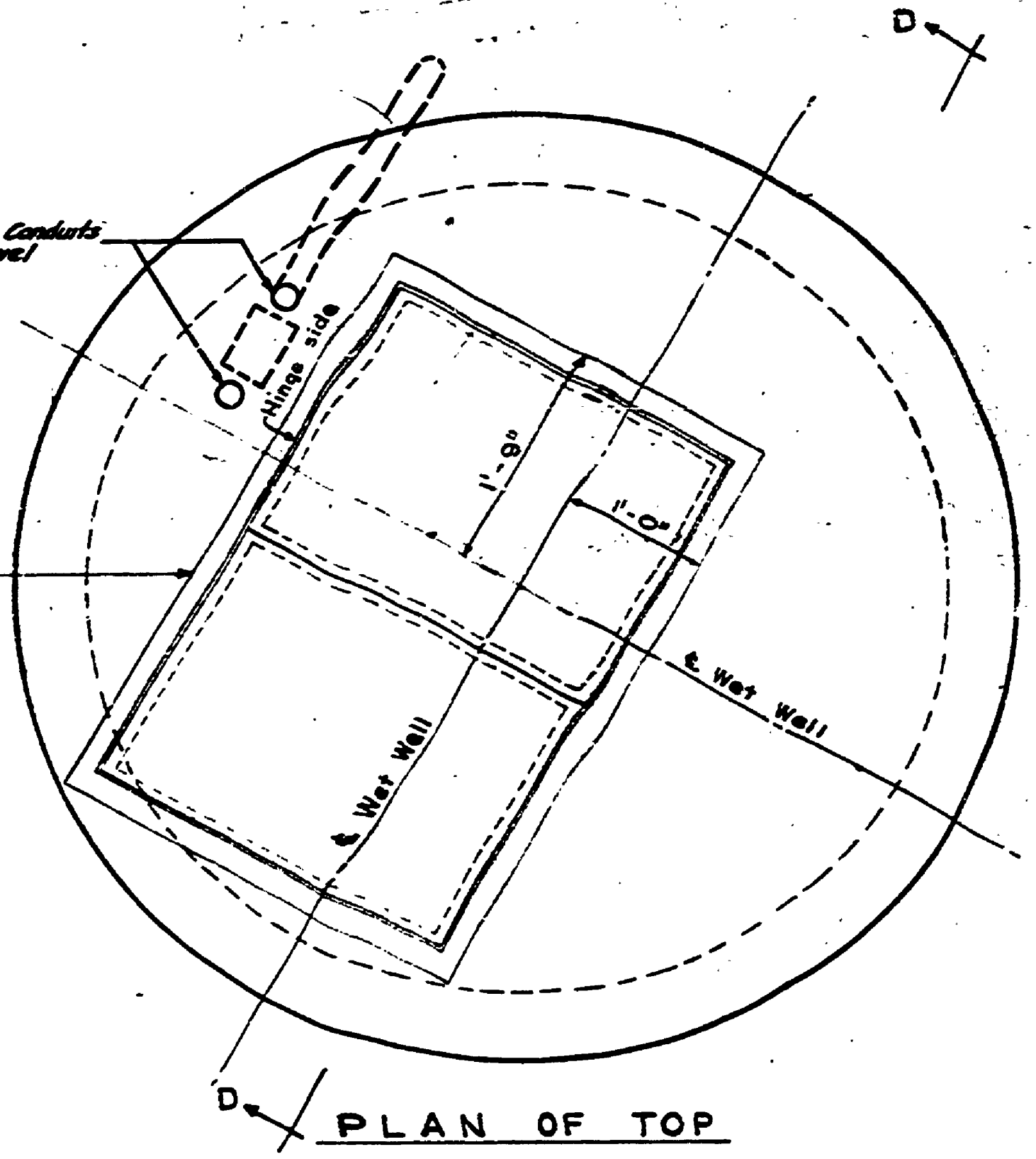


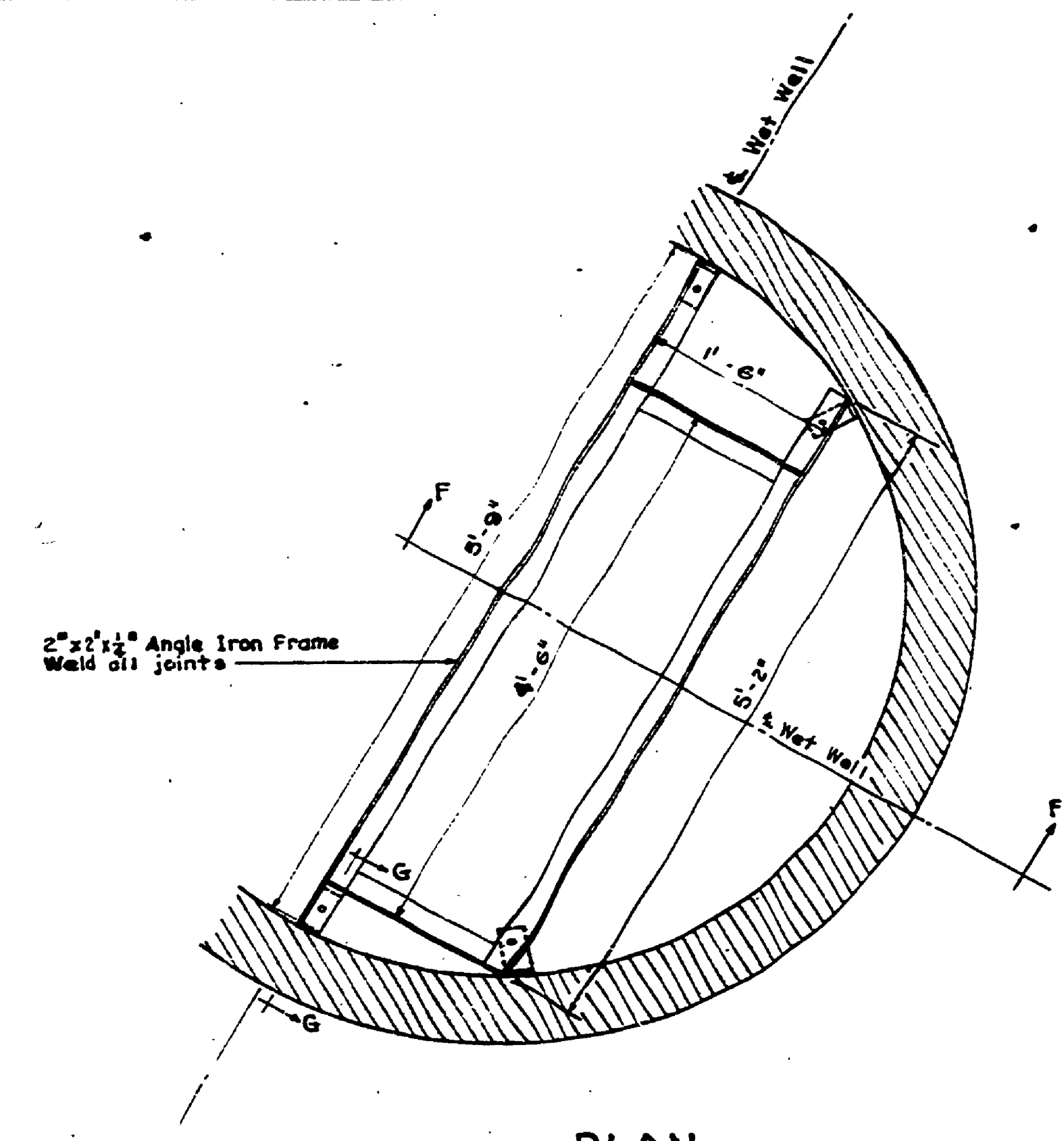
PLAN WITH TOP REMOVED

Exact Location Of These Conduits To Be Determined By Level Sensor Placement.

Manhole Frame and Cover Nearest To Be Determined By Level Sensor Placement. Manhole Frame and Cover Nearest To Be Determined By Level Sensor Placement. Device Type - A Top Hasp

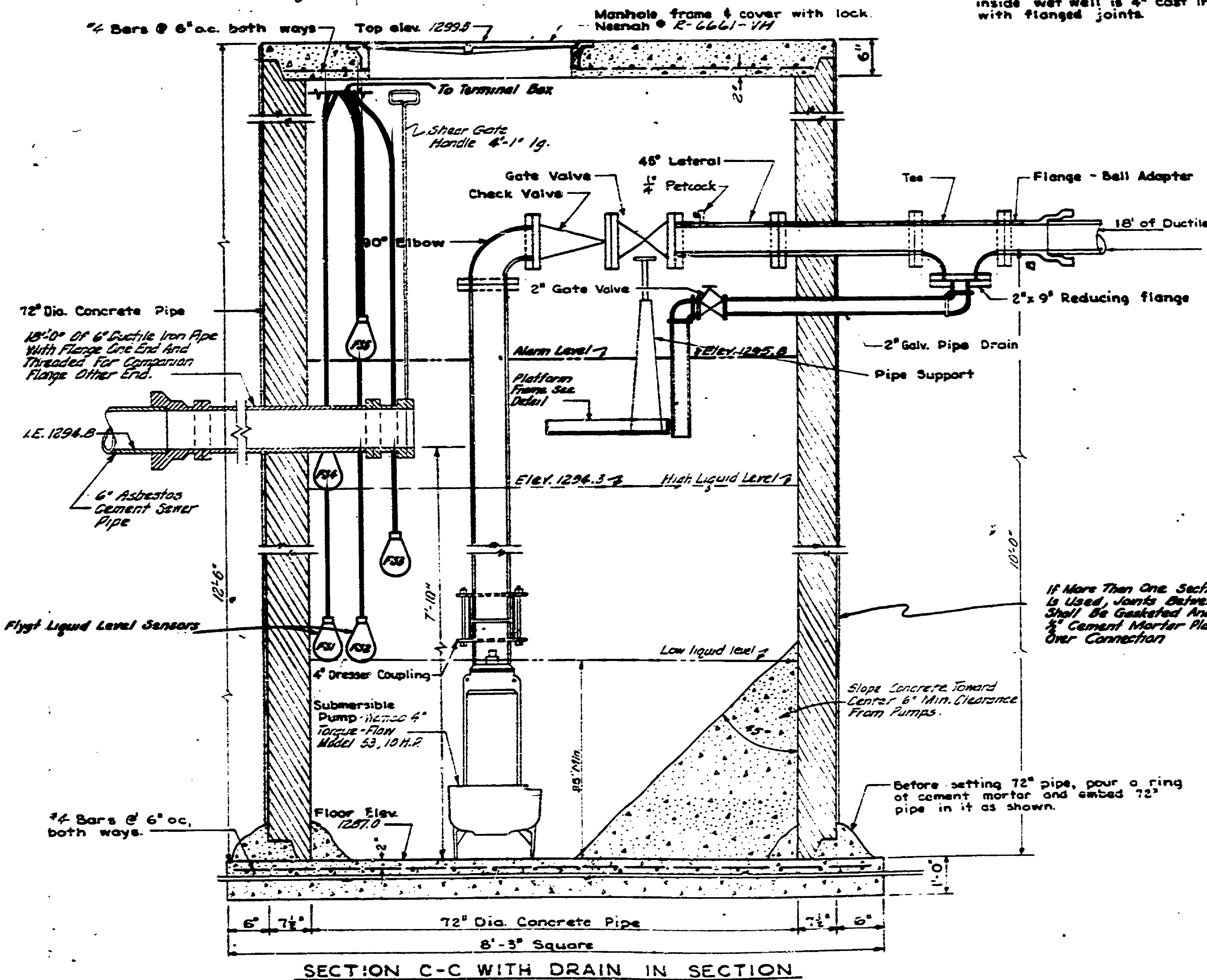


PLAN OF TOP

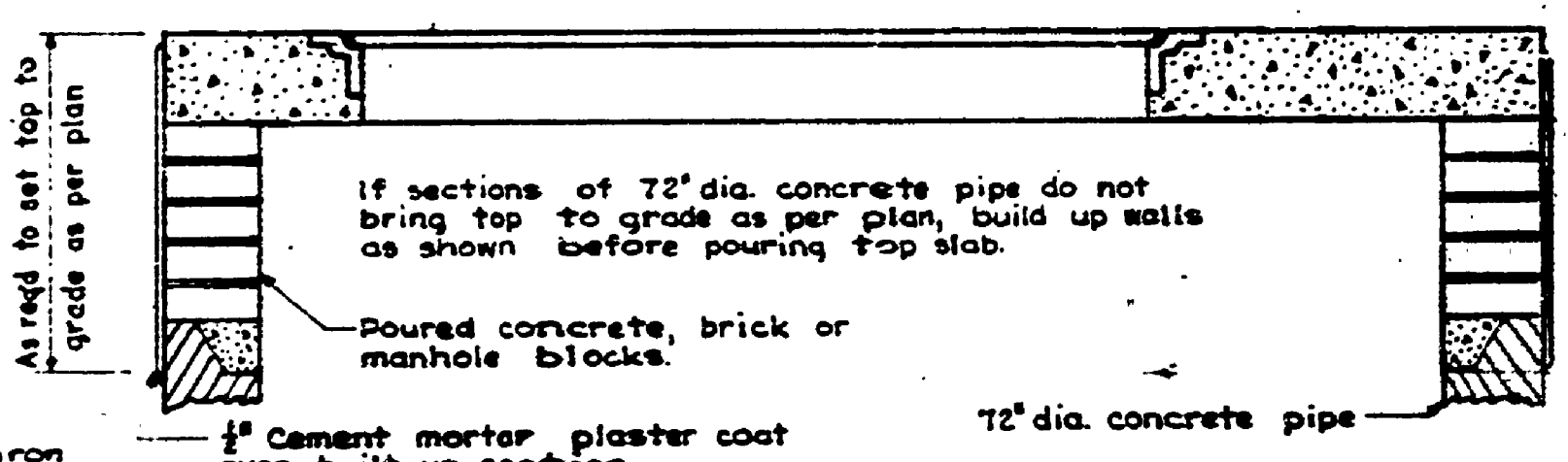


PLAN

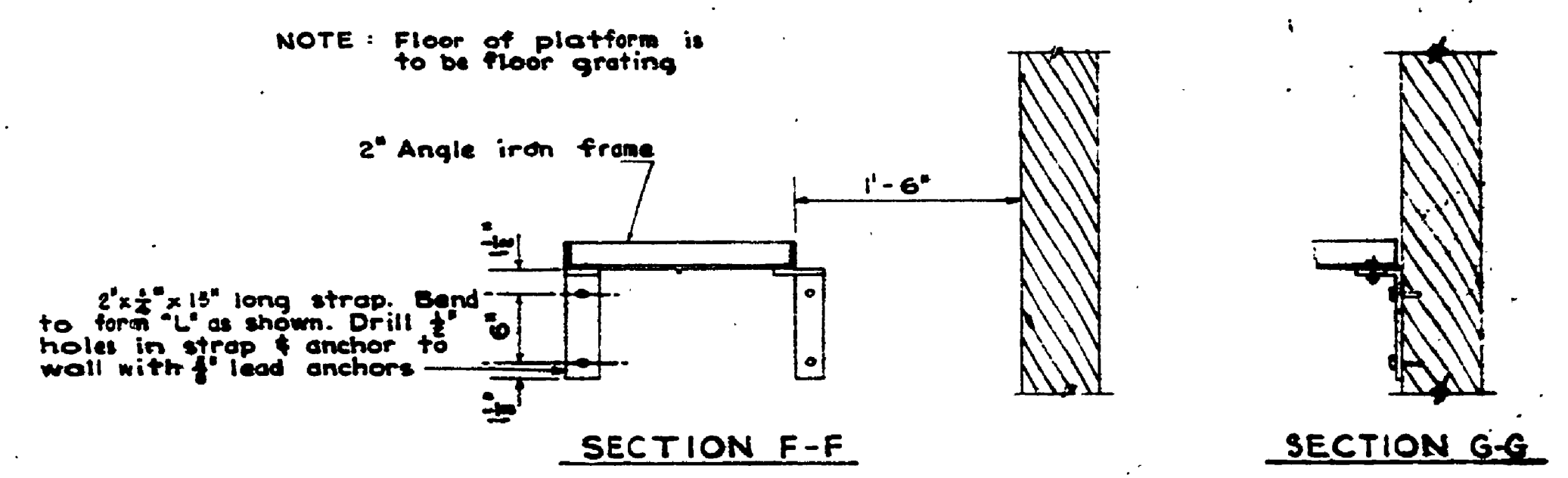
NOTE: All pipe (unless otherwise noted) inside wet well is 4\"/>



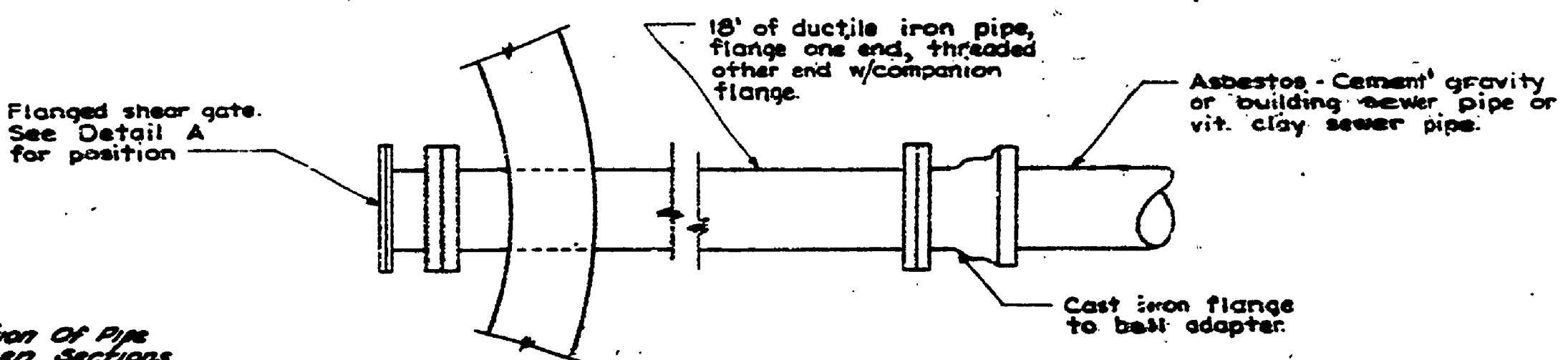
SECTION C-C WITH DRAIN IN SECTION



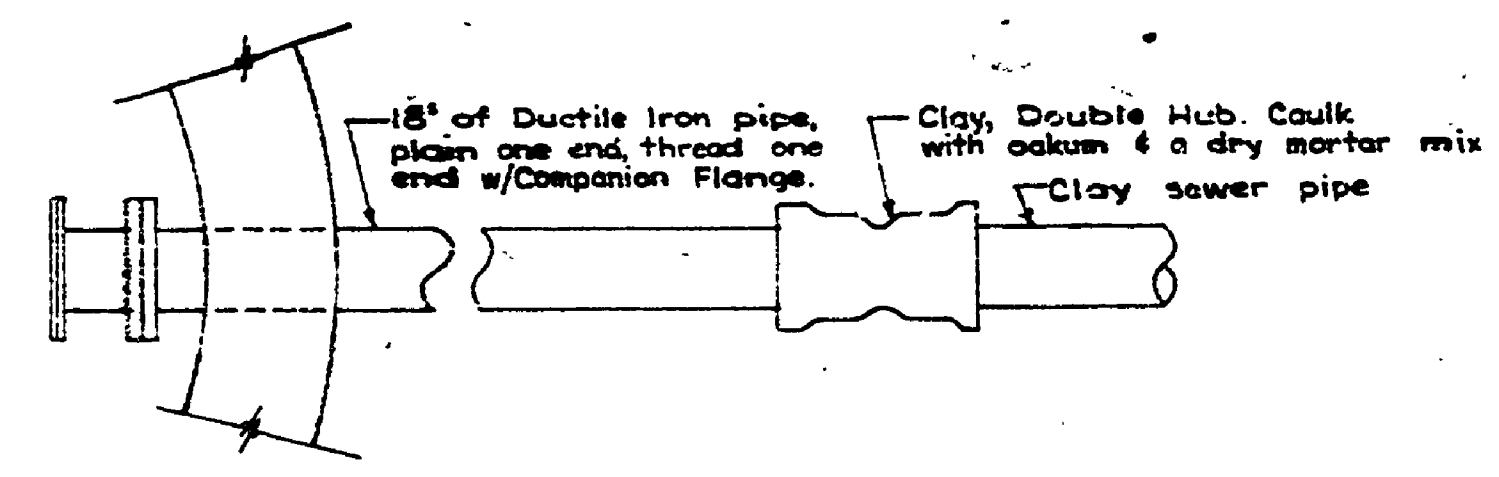
SECTION D-D



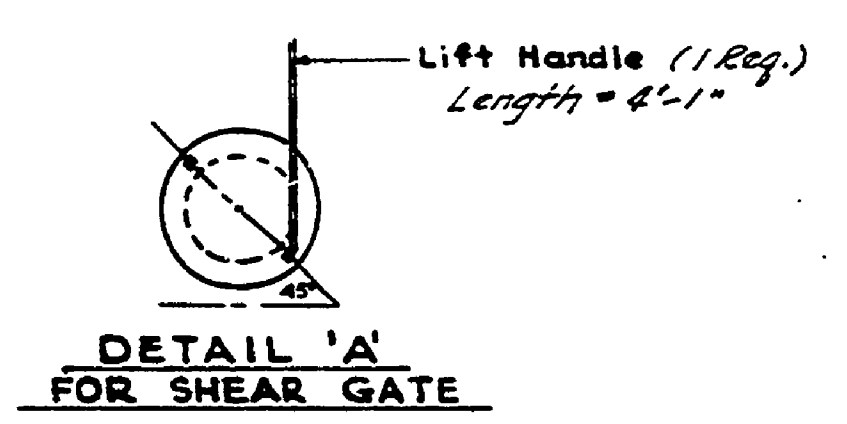
PLATFORM DETAILS



DETAIL OF CONNECTION TO ASBESTOS-CEMENT SEWER PIPE (Not to scale)



DETAIL OF CONNECTION TO CLAY SEWER PIPE



DETAIL 'A' FOR SHEAR GATE

SURVEYED BY	DRAWN BY M. LeClaire	3/73	NO. DATE BY	REVISIONS	NO. DATE BY	REVISIONS	MICHIGAN DEPARTMENT OF NATURAL RESOURCES	WET WELL AND PUMP STATION	LAKE GOGEBIC STATE PARK AREA OR PARK	PROJECT NO. 24-1200
DESIGNED BY M. LeClaire	CHECKED BY E. H. Merrill	3/73	1. 9-18-69 V.H.M.	Explosion Proofing Renovation	3.				WET WELL REVISION	SHEET 2 OF 3
			2.		4.					PLAN NO. E-111