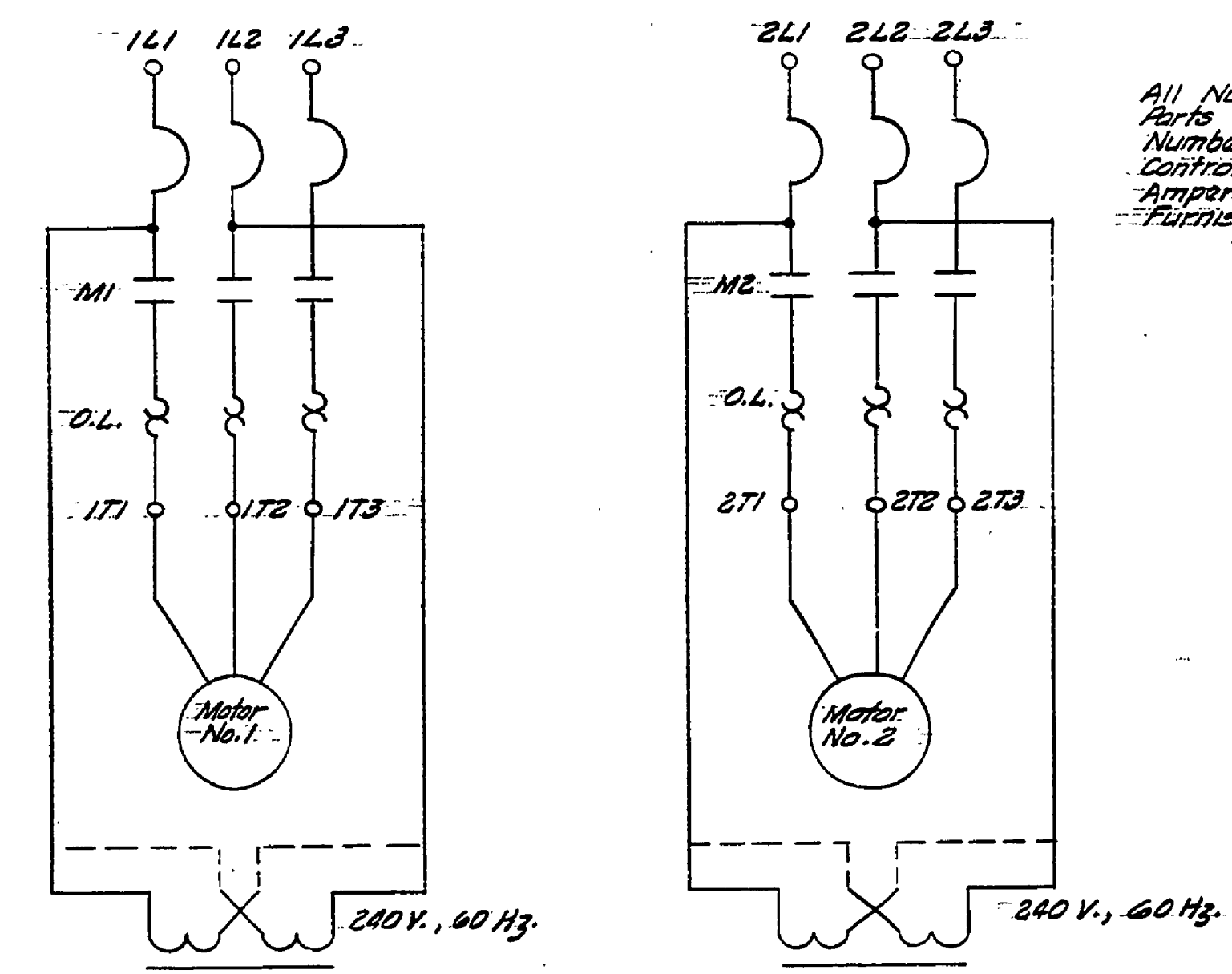


SCHEMATIC DIAGRAM



NOTES

All Numbers Shown On Component Parts In Control Cabinet Are Square "D" Numbers. Component Parts In This Control Box Are To Be Of Sufficient Ampacity To Handle Pump Motors Furnished.

Class 8961 Duplex Pump Controller W82LN18 For Use With Five Float ENH-10 Liquid Level Sensors House In NEMA 3R Enclosure.

Note: Consult Control Cabinet Cover For Manufacturers Wiring Diagram.

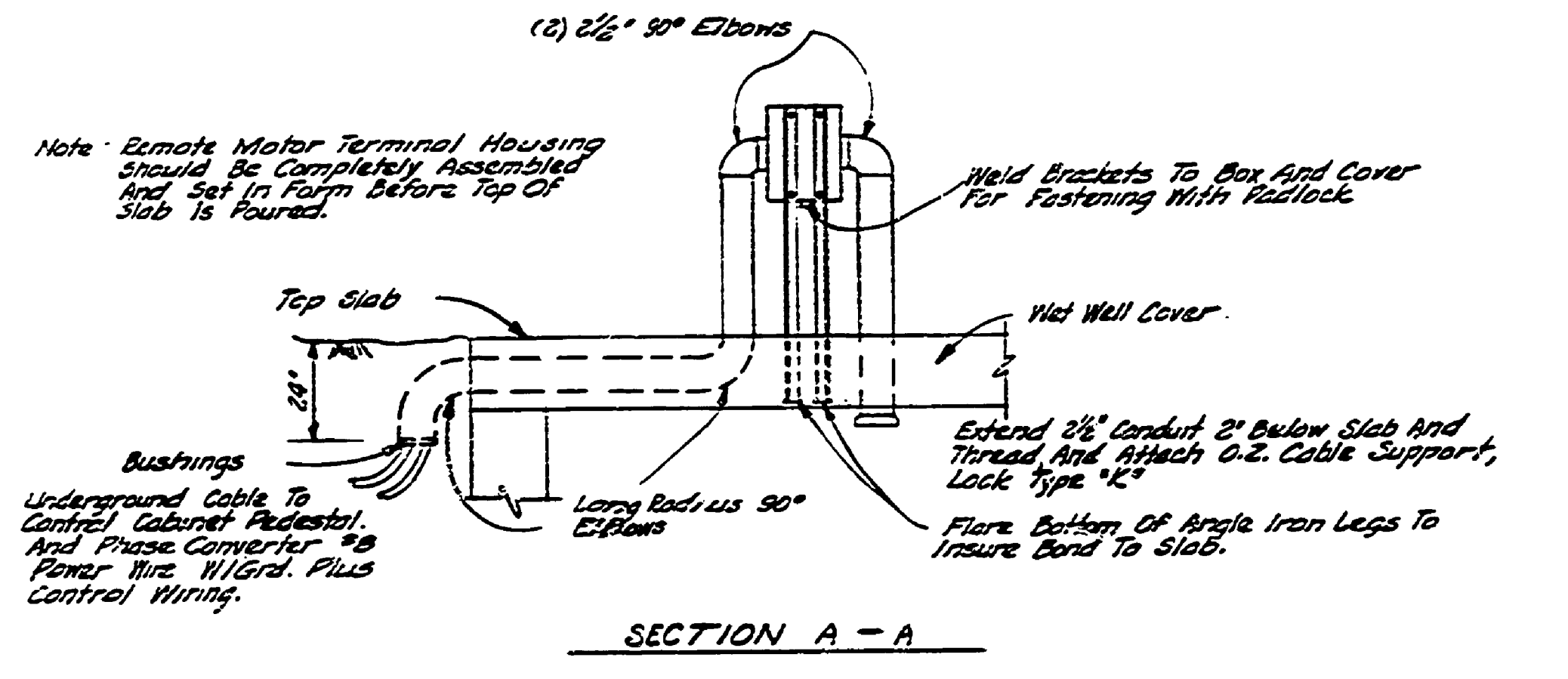
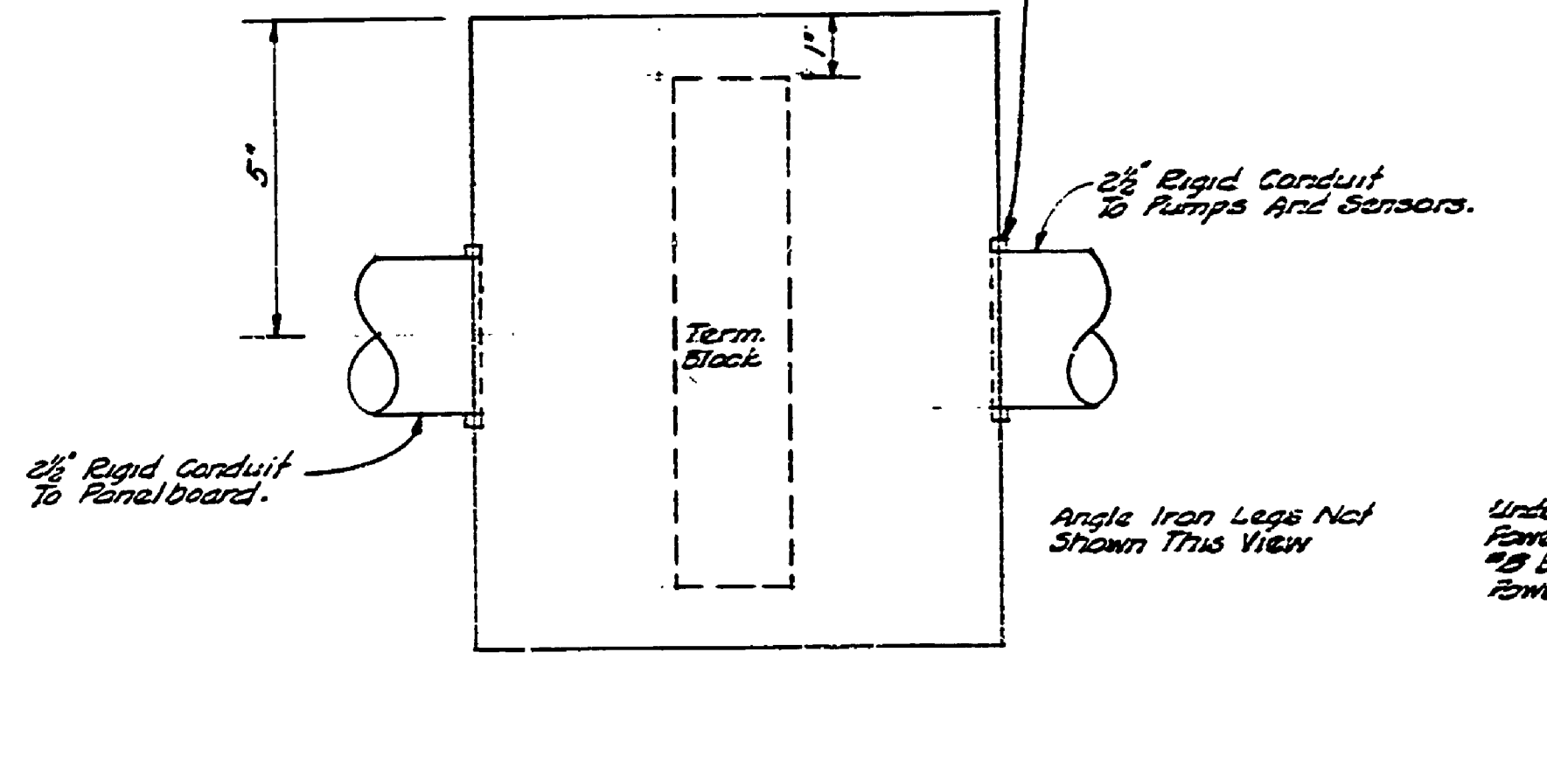
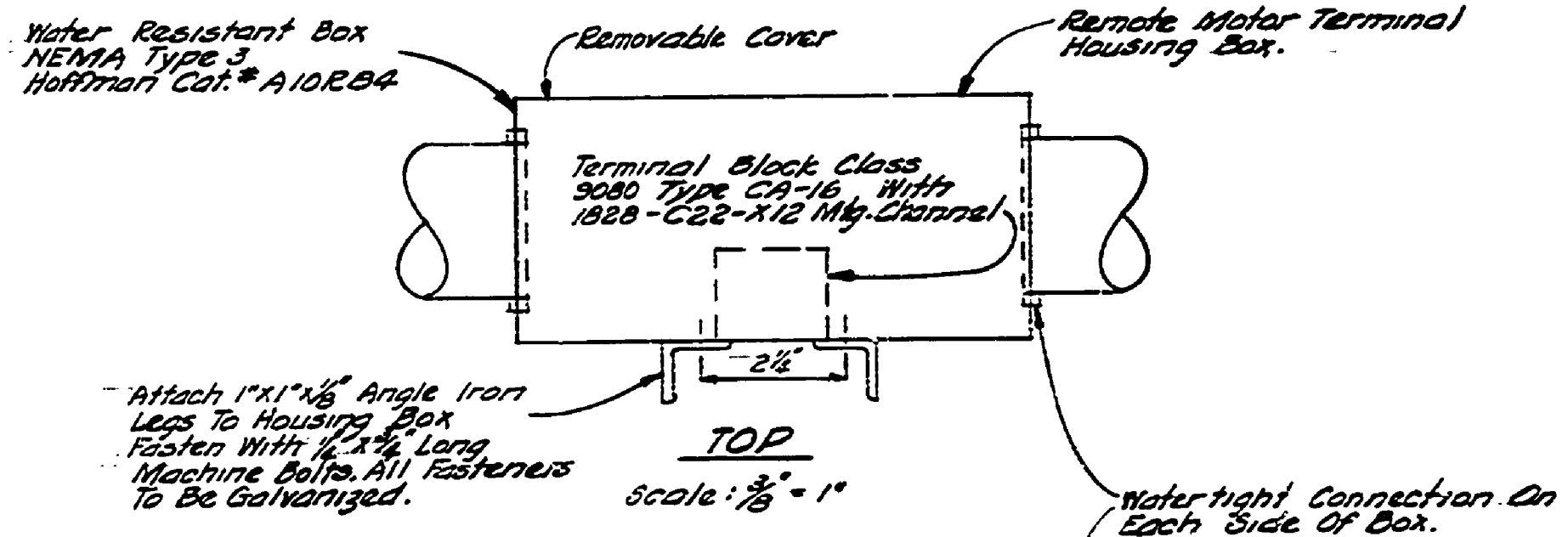
Float Switch #5 - Alarm
Float Switch #4 - Starts 2nd Pump
Float Switch #3 - Starts 1st Pump
Float Switch #2 - Stops Pump #2
Float Switch #1 - Stops Pump #1

Set FS1 And FS2 At Same Level

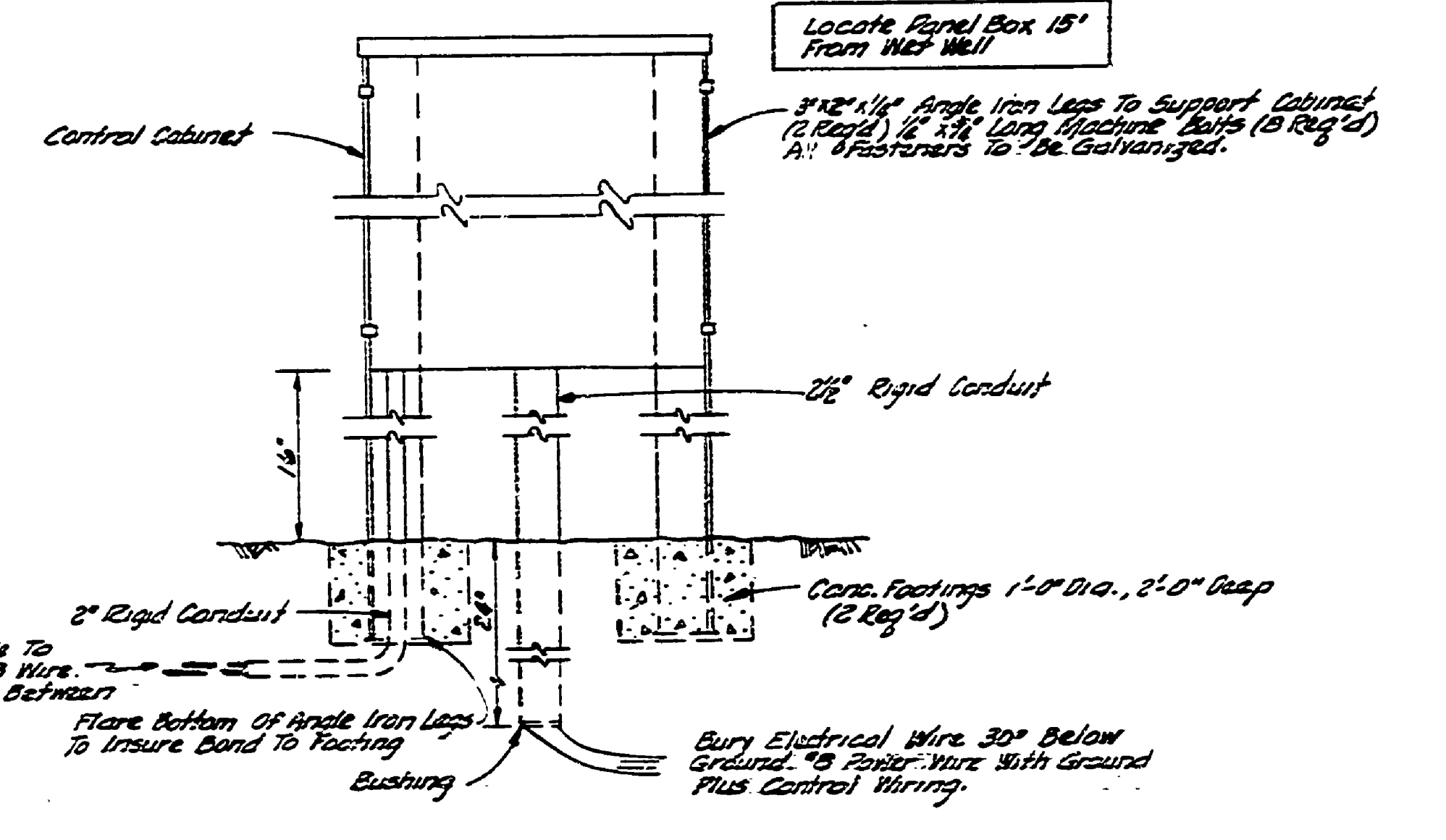
Connect Red And Black Leads From Float Sensors To Terminal Block. White Lead To Be Tied Back And Insulated

4" Warning Bell (High Water Alarm), 120V, 60Hz, 77 Decibels At 16' With Weatherproof Mounting Box Graybar Cat. Nos. 340-4 And 346

TRANSCLOSURE PAD REINFORCING DETAIL



NOTE: ALL ELECTRICAL CONNECTION AND MATERIAL TO CONFORM TO THE NATIONAL ELECTRICAL CODE



SURVEYED BY	DRAWN BY M. LeClaire	4/73	NO.	DATE	BY	REVISIONS	NO.	DATE	BY	REVISIONS	MICHIGAN DEPARTMENT OF NATURAL RESOURCES	220 VOLT - THREE PHASE PUMP CONTROL	LAKE GOGEBIC STATE PARK AREA OR PARK	PROJECT NO. 28-1222
DESIGNED BY M. LeClaire	CHECKED BY R.H. Merrill	4/73	1.				3.					SHEET TITLE	WET WELL INSTALLATION	SHEET 3 OF 3 PLAN NO. E-111
			2.				4.							