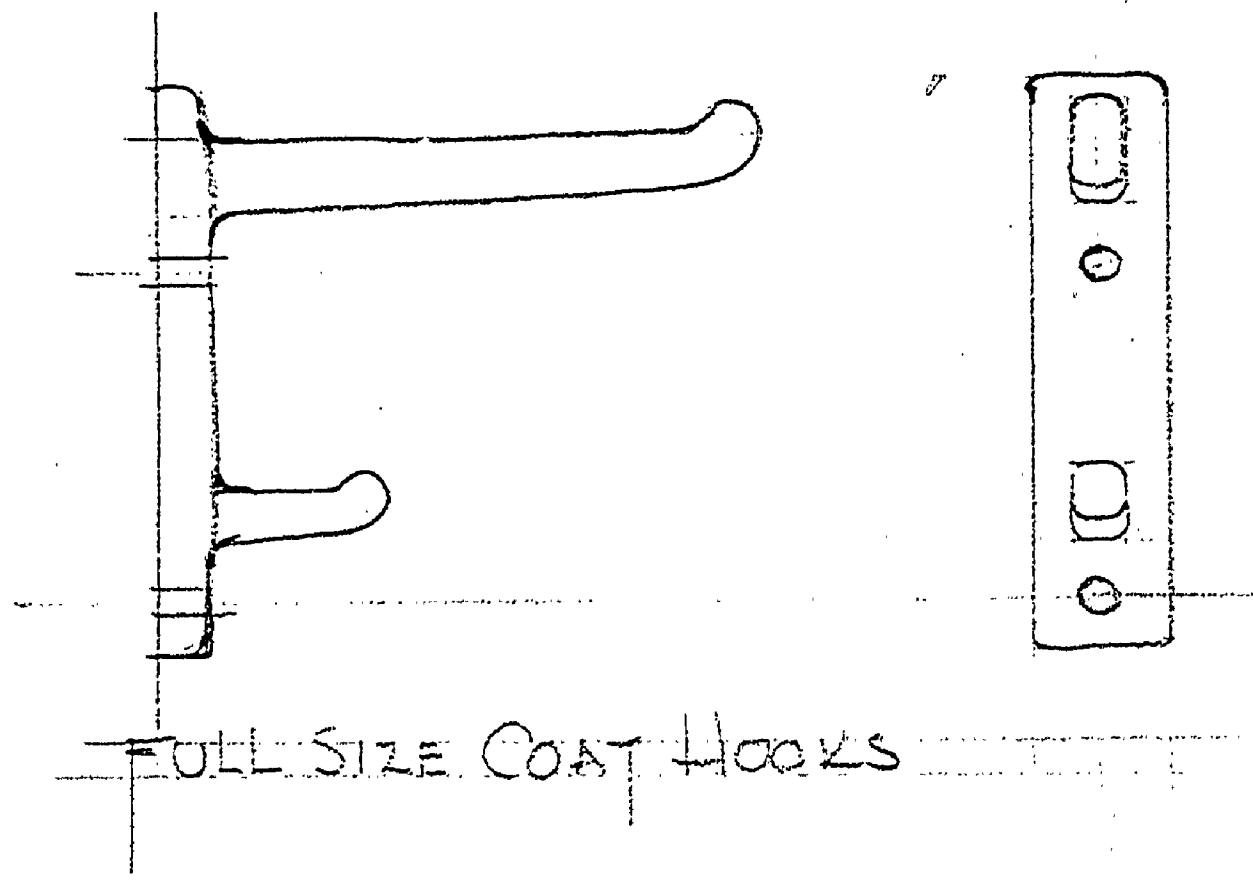
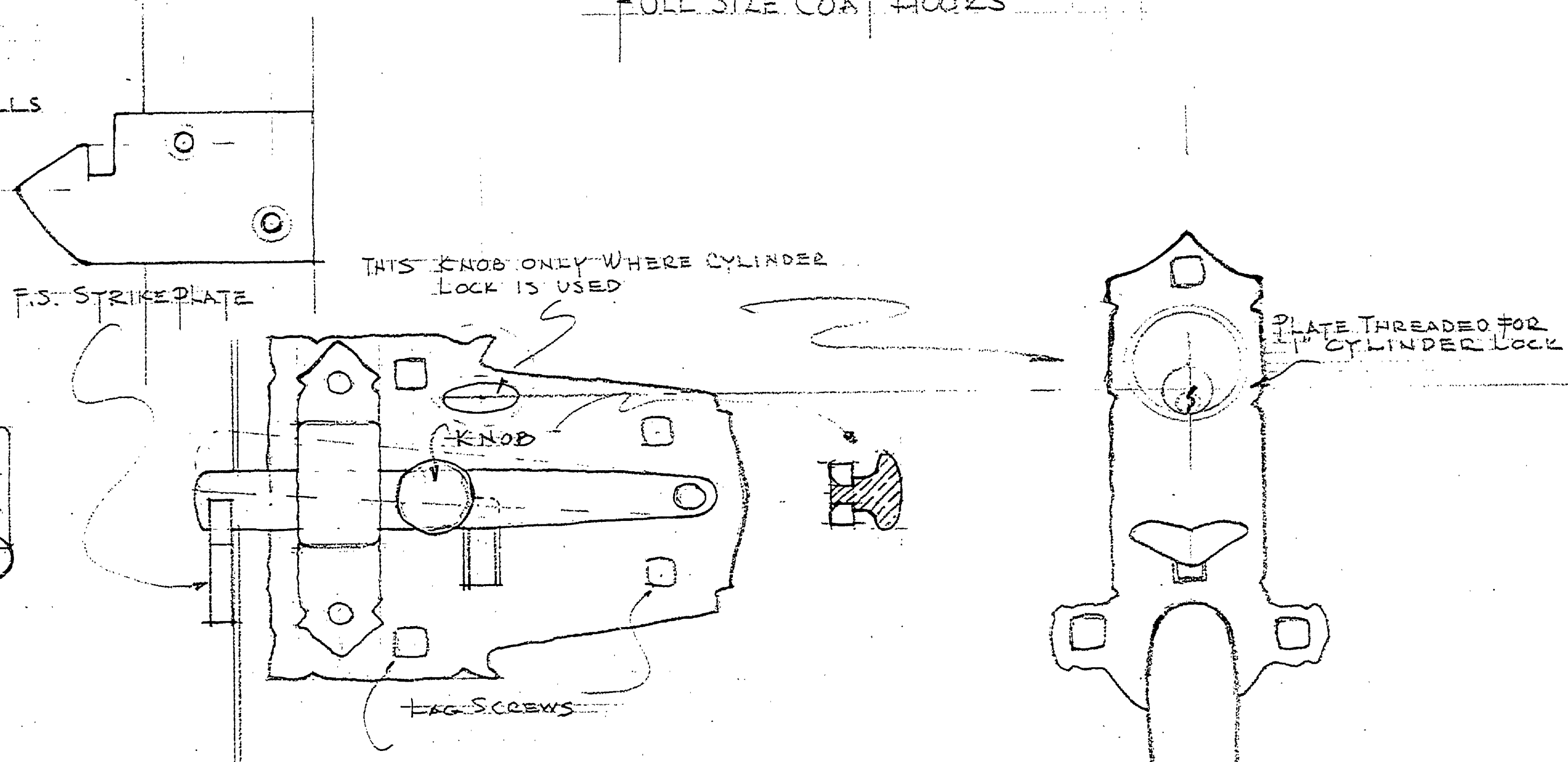


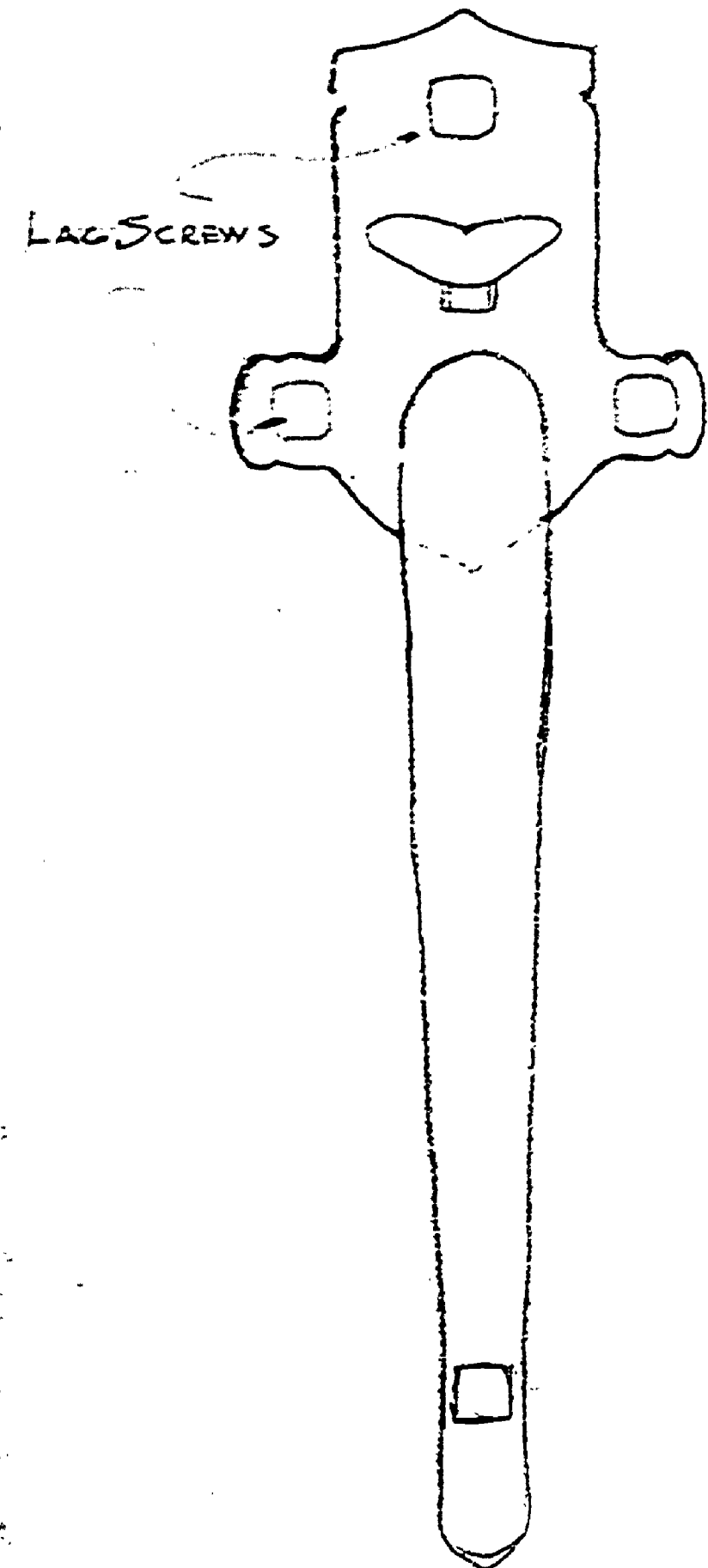
FULL SIZE DETAILS OF
DRAWER PULLS &
DOUBLE HUNG WINDOW PULLS



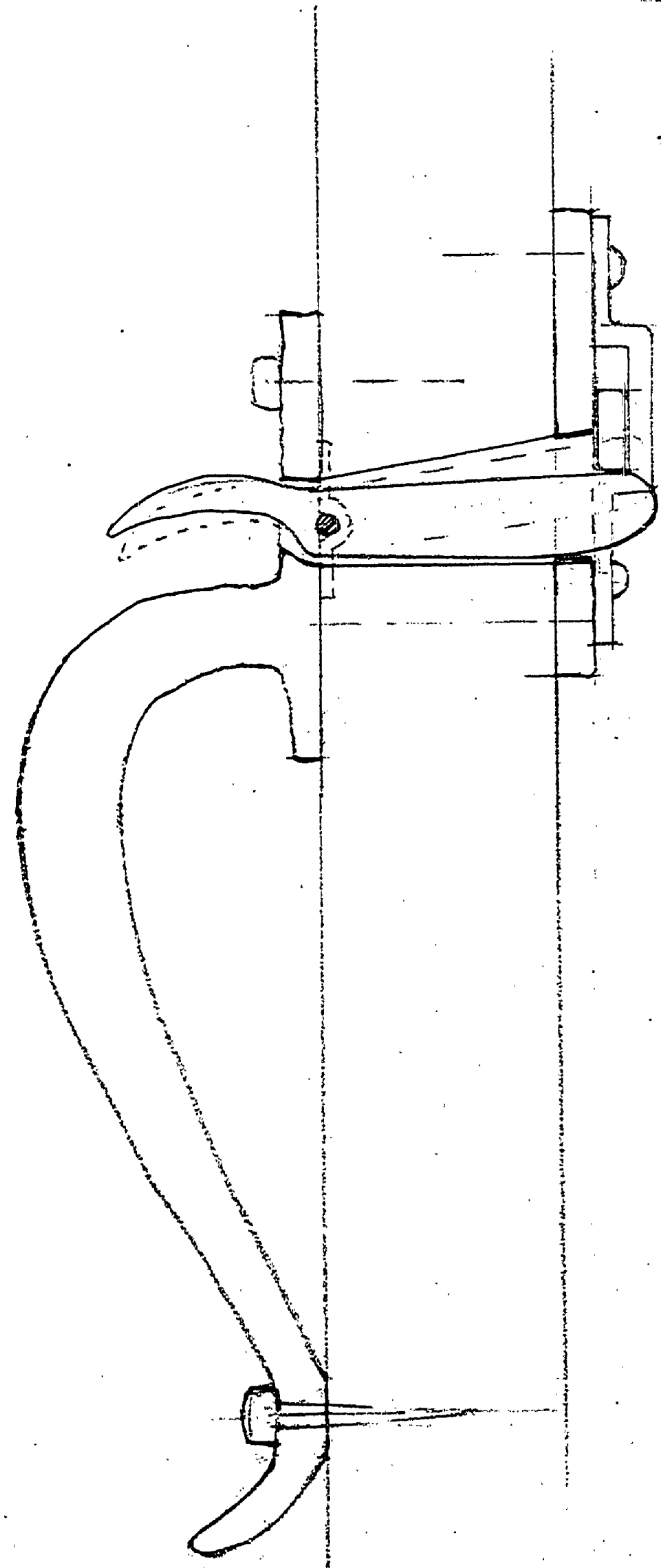
FULL SIZE COAT HOOKS



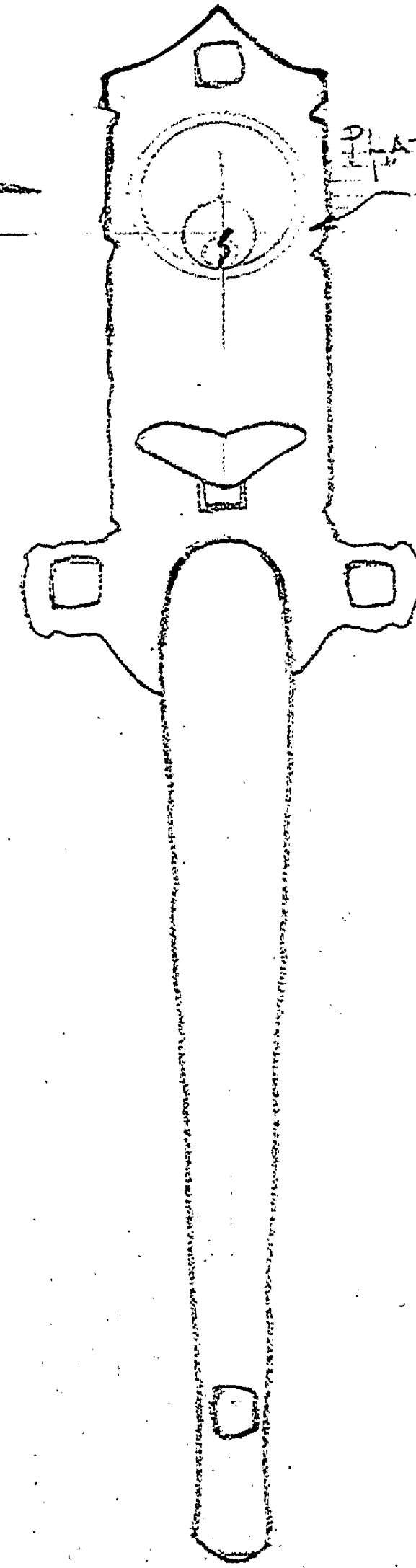
FULL SIZE ELEVATION OF
LATCH PLATE ON KNOB SIDE



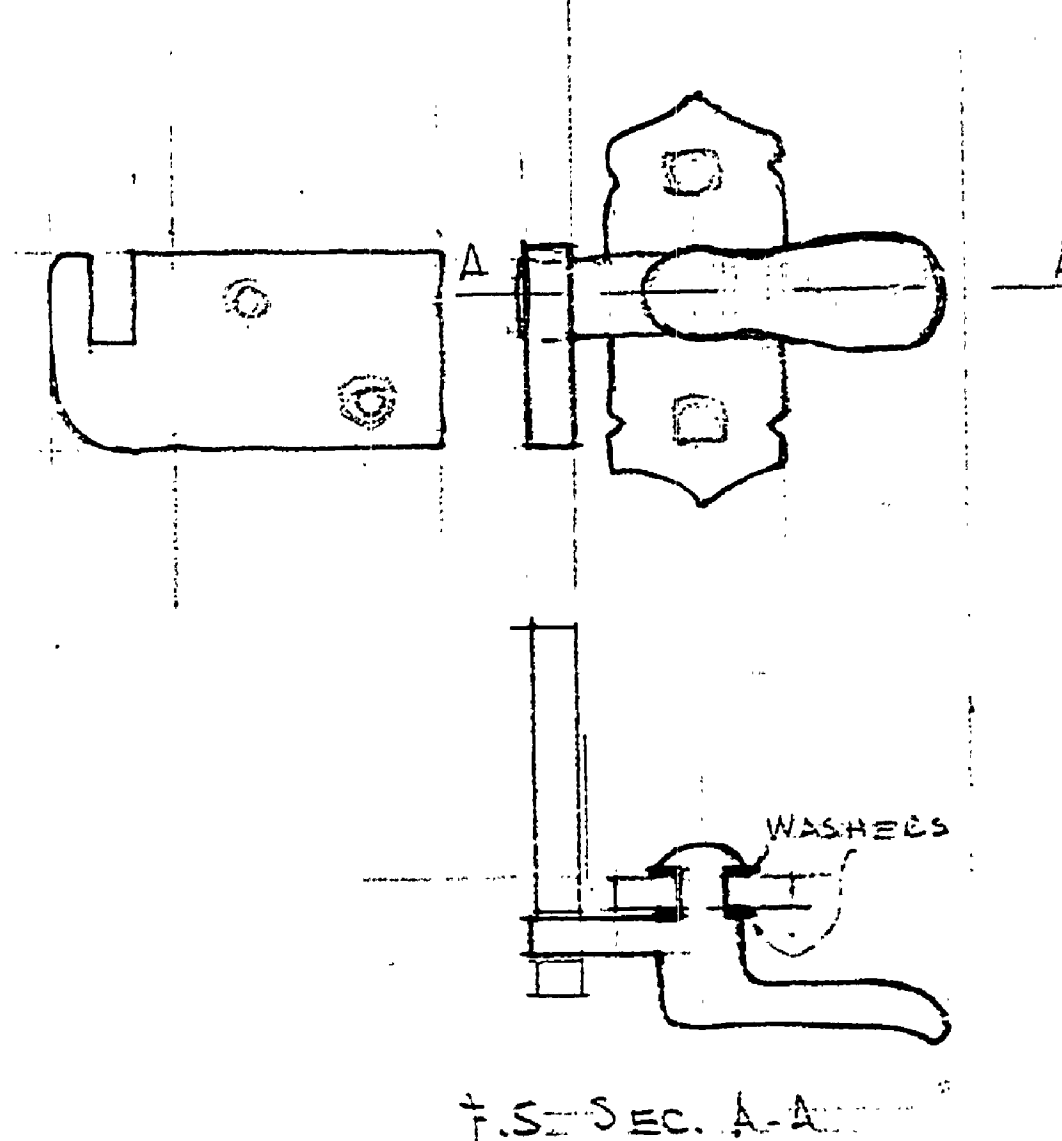
FULL SIZE ELEVATION OF
LATCH HANDLE



F.S. SECTION
OF LATCH



FULL SIZE ELEVATION OF LATCH
WITH CYLINDER LOCK



FULL SIZE DETAILS OF
CASE L IN SWINGING CASEMENT
LATCHES

FULL SIZE DETAILS OF LATCHES FOR SINGLE DOORS

WROUGHT IRON HARDWARE
HARTWICK PINES STATE PARK S.P.#5
Dec. 9-7-34. S.G. SIMPSON SHEET 3

A-984