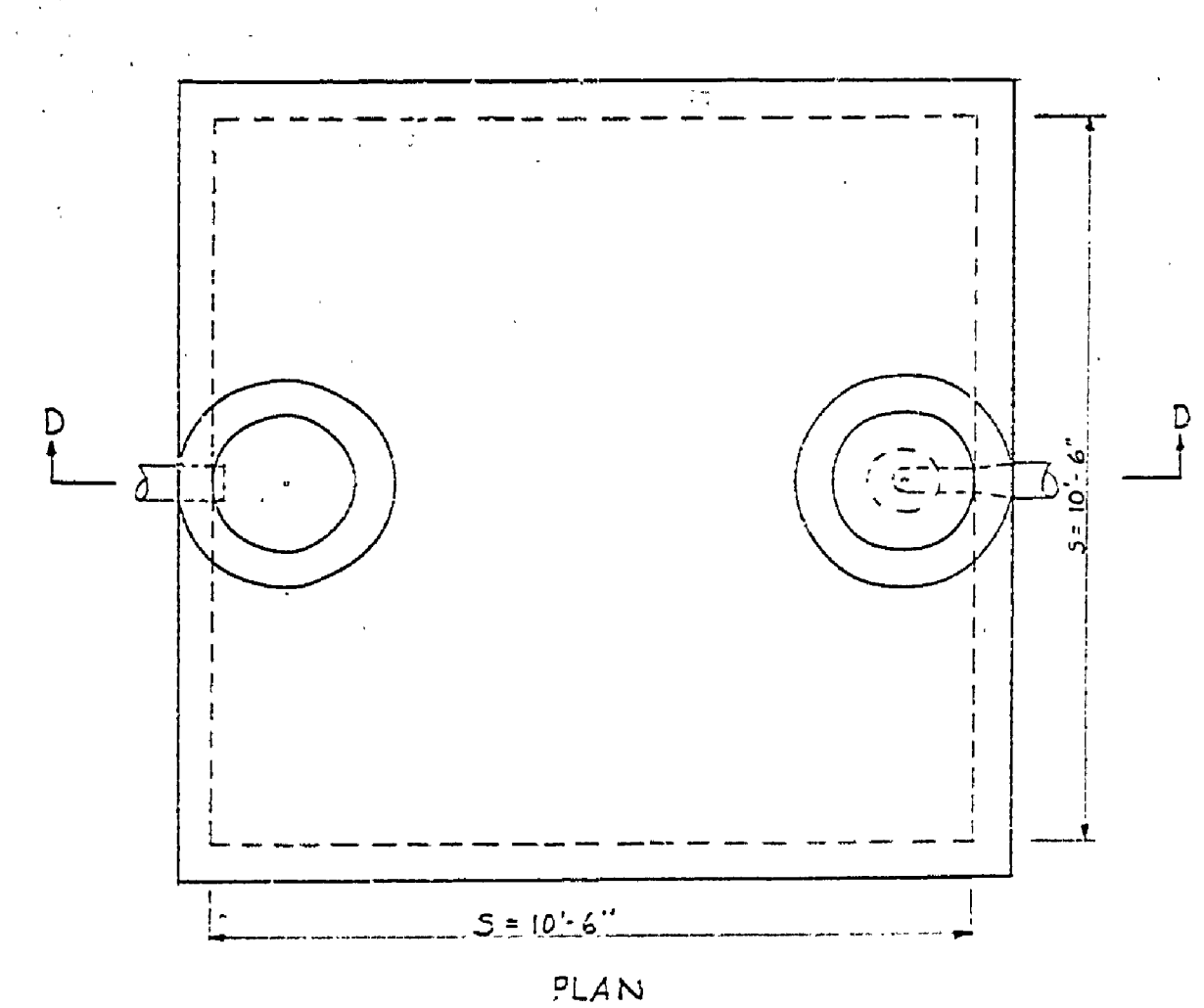


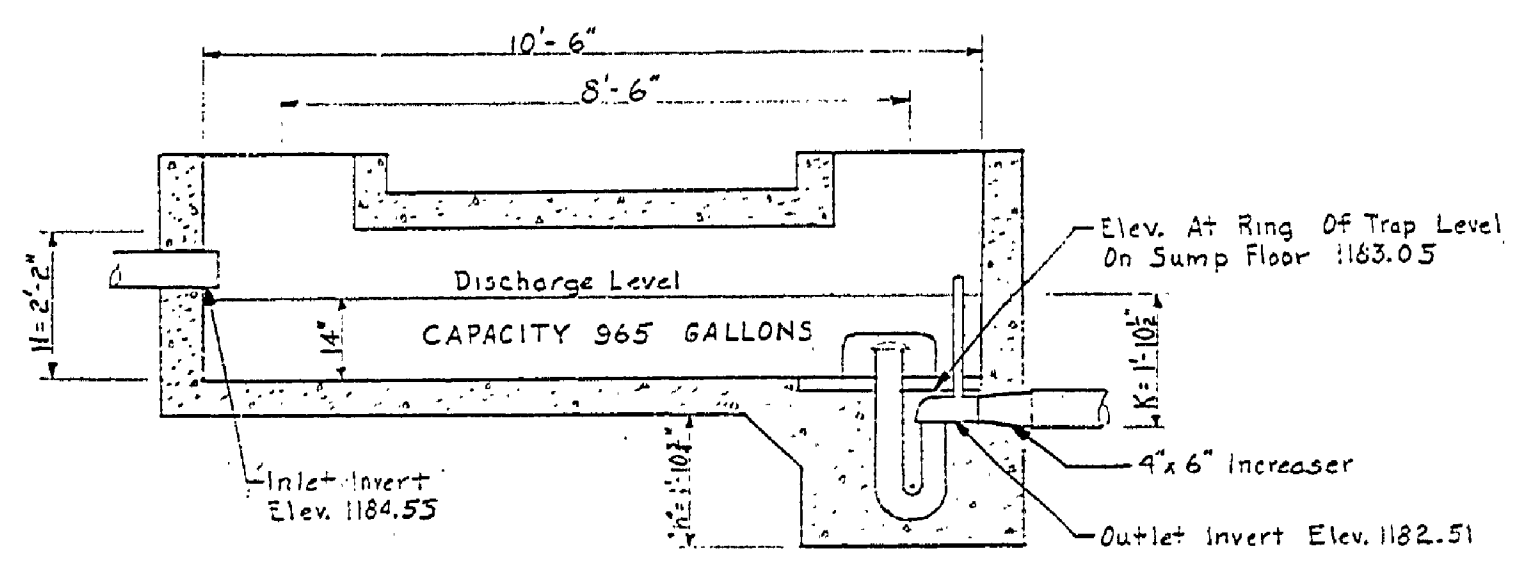
REVISIONS	NO.	DATE	BY
4			
5			
6			

REVIEWED BY SECTIONS	DATE	APPROVED BY
ARCHITECTURAL	9-2-53	<i>[Signature]</i>
ENGINEERING	10-1-53	ASSISTANT CHIEF IN CHARGE
LANDSCAPE	9-2-53	OF DESIGN

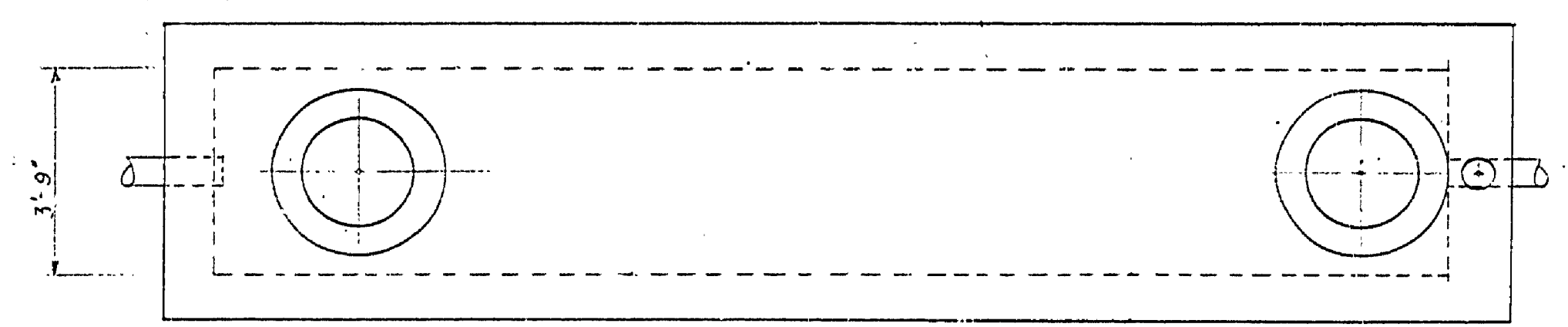
DRAWN BY	DATE
TRACED BY	
CHECKED BY	
DATE	



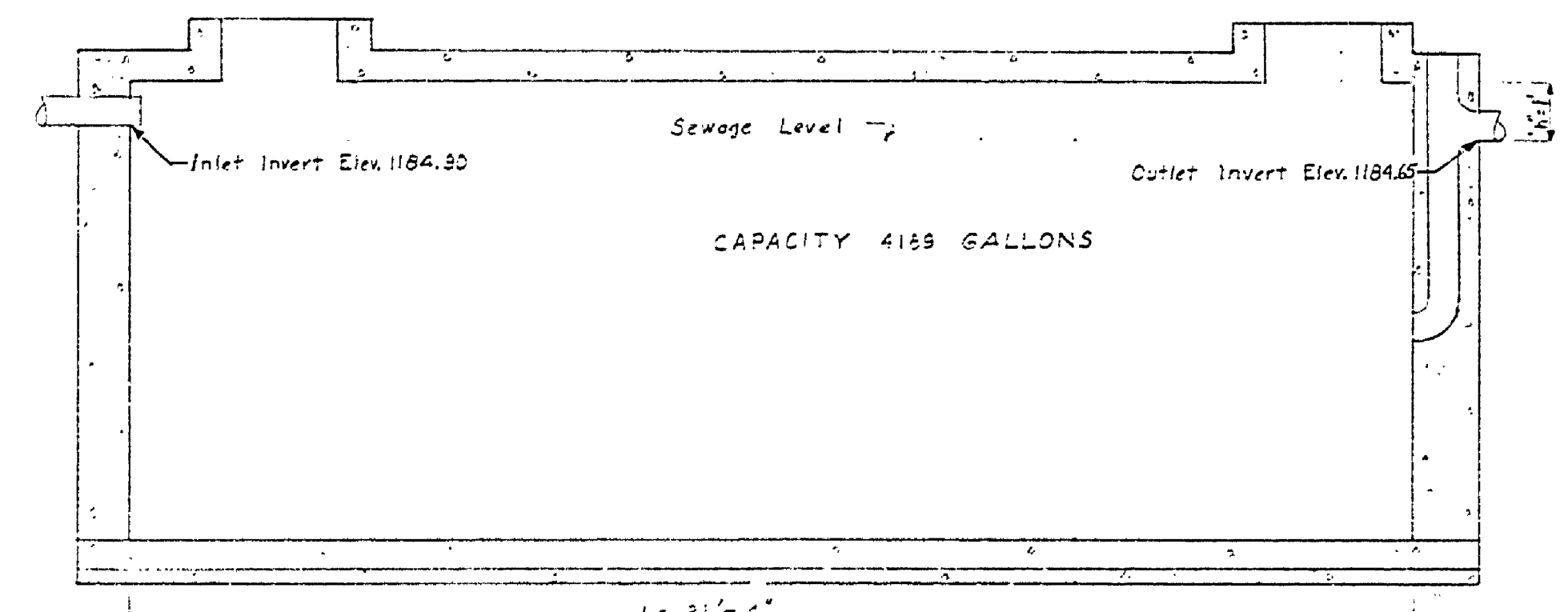
NOTES FOR DOSING CHAMBER
 See Plan No. SE-118 For Steel Reinforcing Details And
 Detail Dimensions Of Dosing Chamber Without Beam.
 Use A 4" Siphon With A 1/4" Dropdown.
 Use 3" 10'-6", H=2'-2", K=1'-10", N=1'-10"



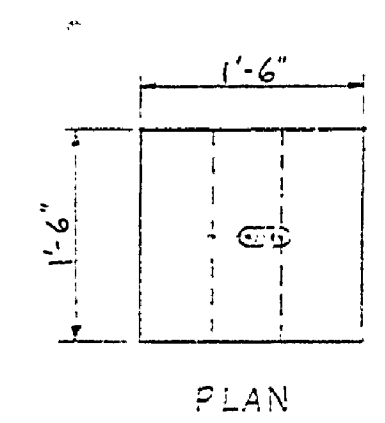
DOSING CHAMBER
 Scale 3/4" = 1'-0"



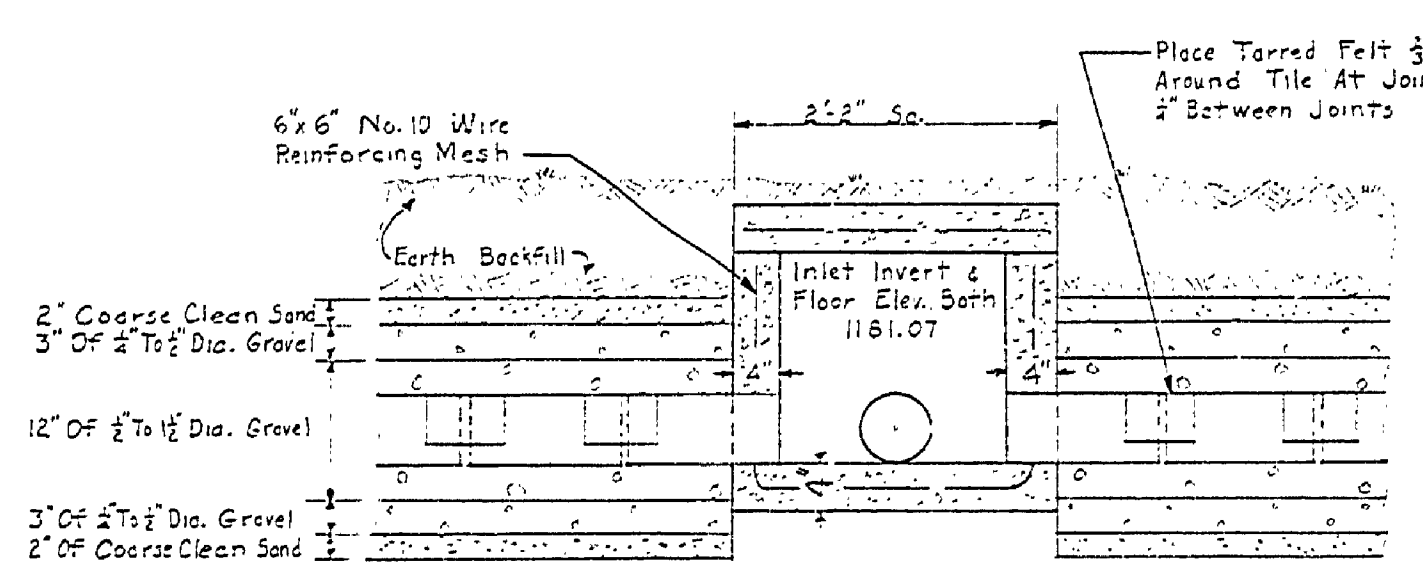
NOTES FOR SEPTIC TANK
 See Plan No. SE-121 For Steel Reinforcing
 Details And Detail Dimensions.
 Use L=2'-4", W=3'-8", H=1'-0"



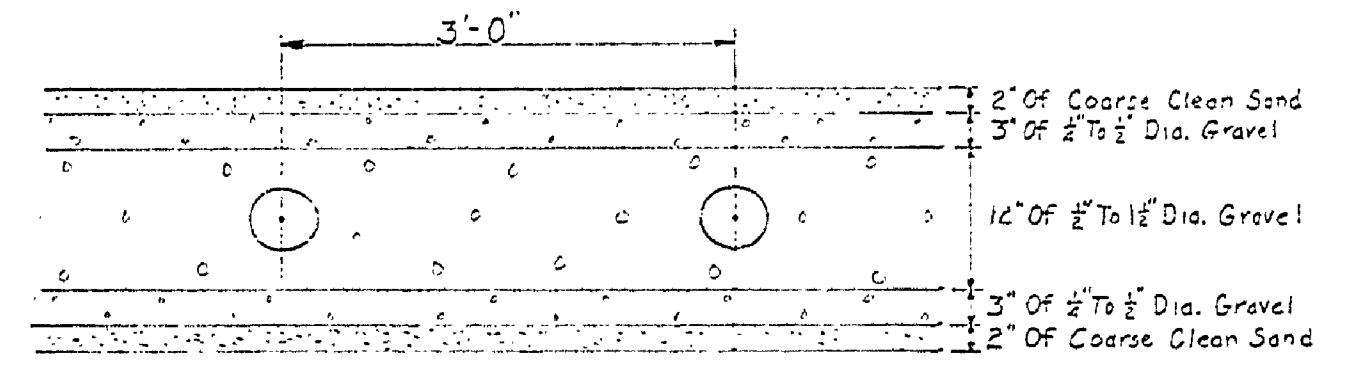
SEPTIC TANK
 Scale 3/4" = 1'-0"



VENT DETAIL
 Scale 2" = 1'-0"



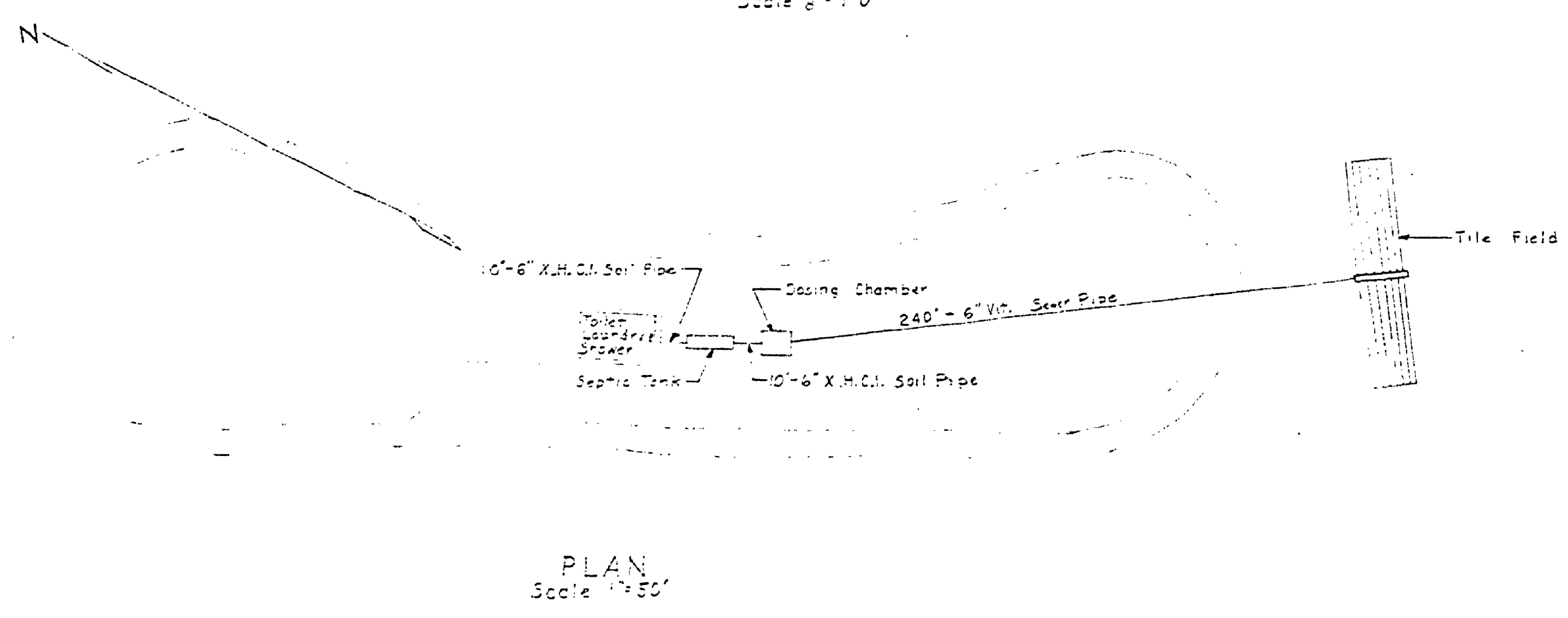
SECTION B-B



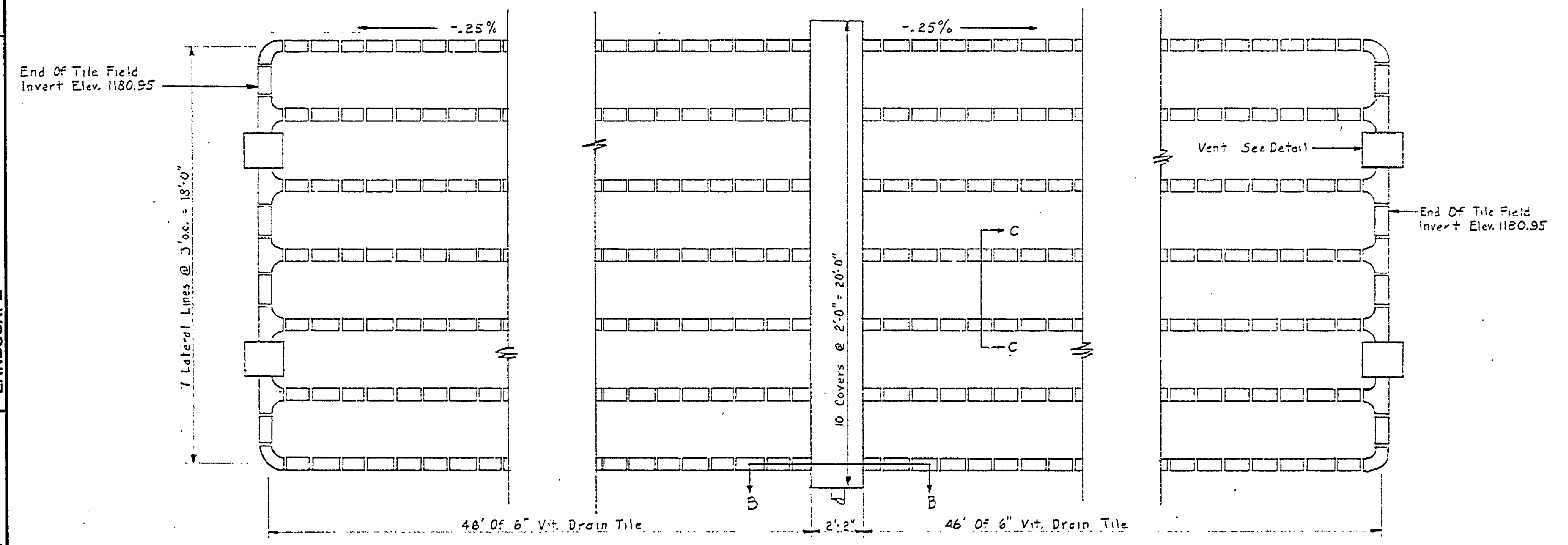
ELEVATION OF DISPOSAL SYSTEM
 Scale 3/4" = 1'-0"



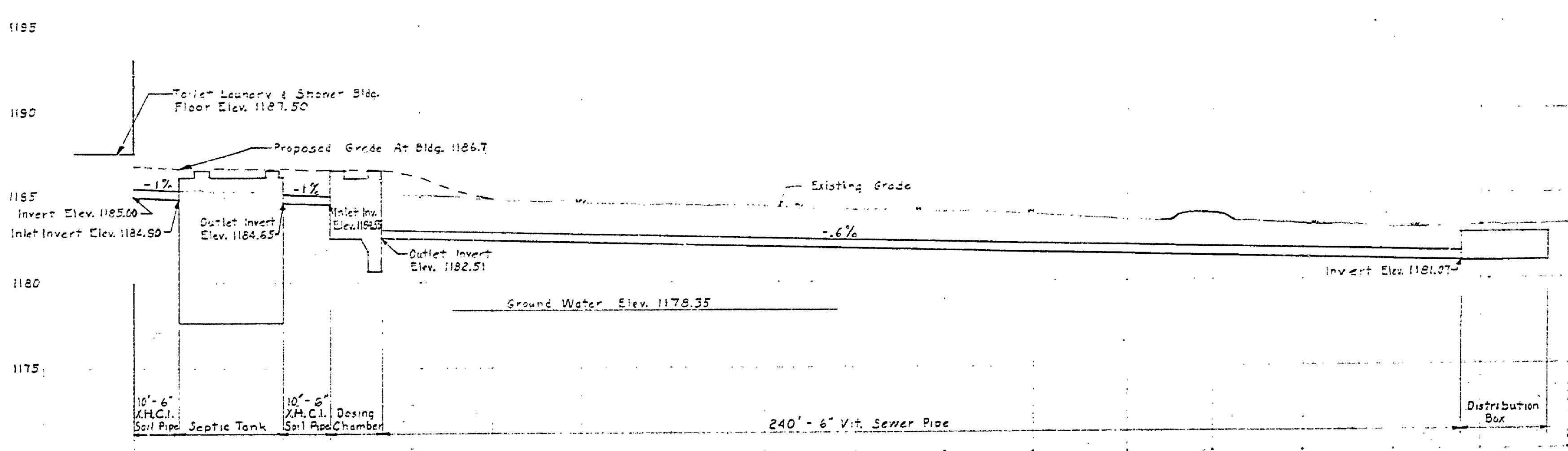
DISTRIBUTION BOX COVER
 Scale 3/4" = 1'-0"



PLAN
 Scale 1" = 50'



TILE FIELD
 Scale 3/4" = 1'-0"



PROFILE
 Scales Hor. 1" = 20' Ver. 1" = 5'