

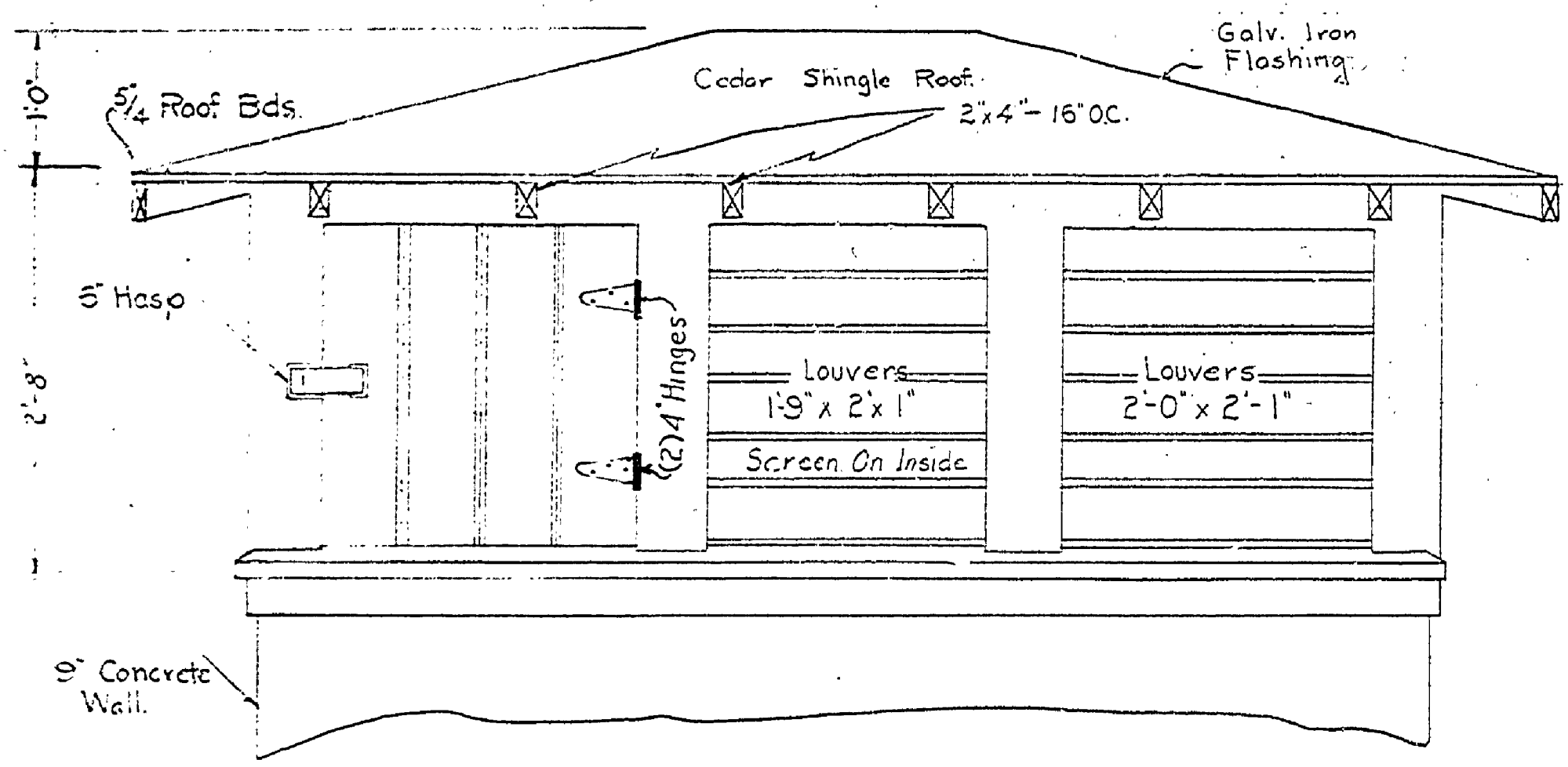
REVISIONS	NO.	DATE	BY
	1		
	2		
	3		
	4		
	5		
	6		

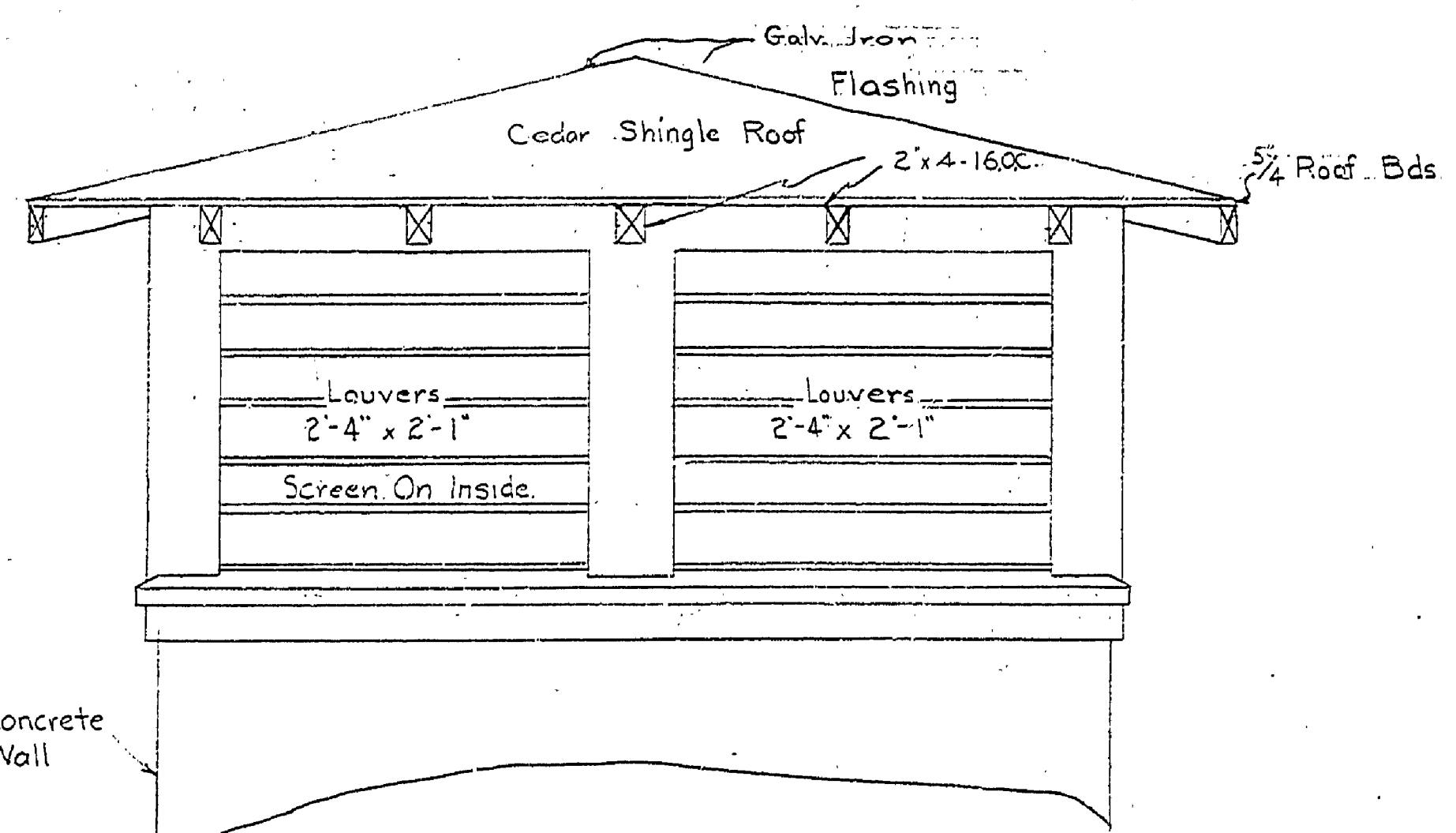
APPROVED BY	DATE	REVIEWED BY SECTIONS	DATE
<i>[Signature]</i>	11/19/46	ARCHITECTURAL	11/19/46
ASSISTANT CHIEF IN CHARGE		ENGINEERING	
OF DESIGN		LANDSCAPE	

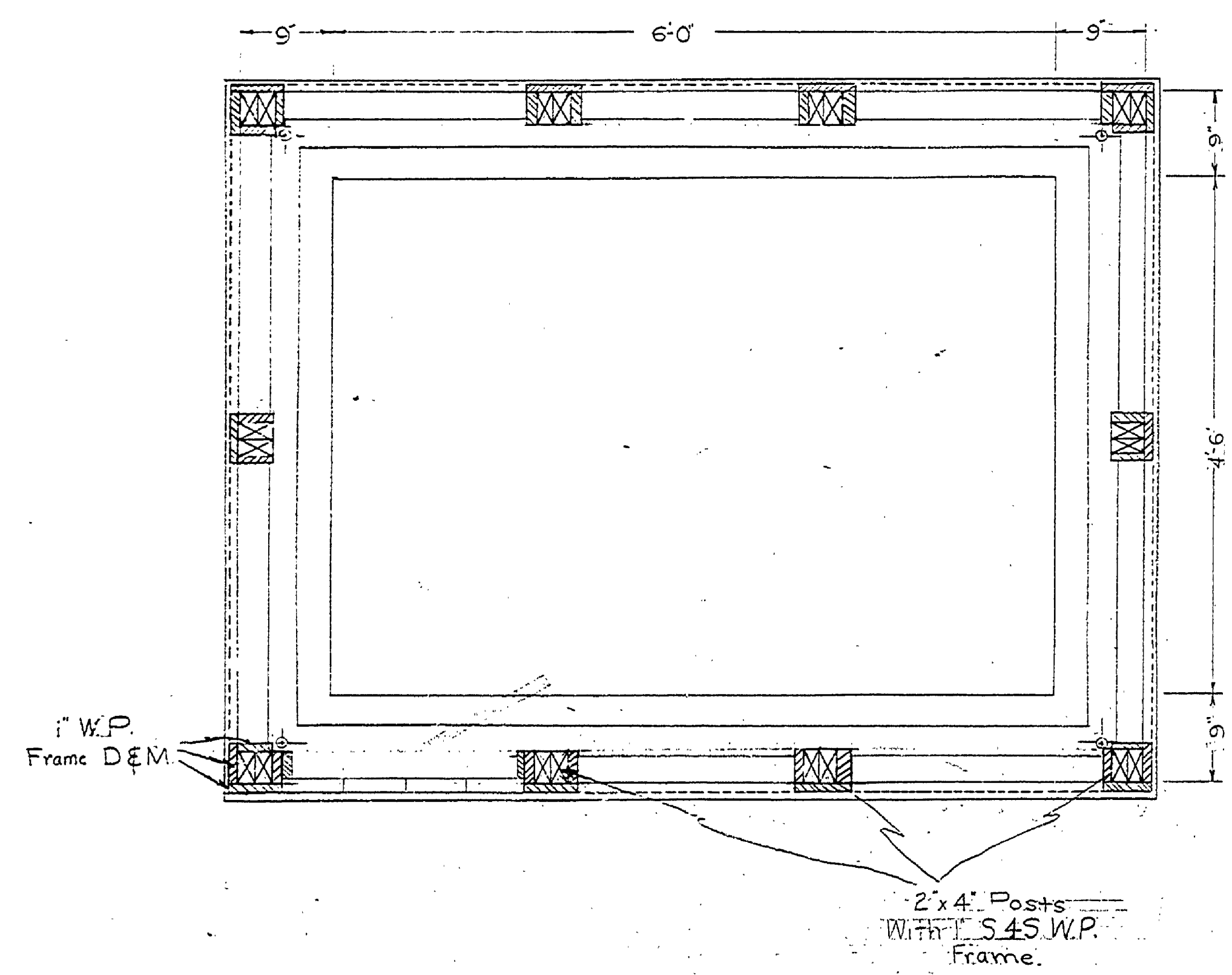
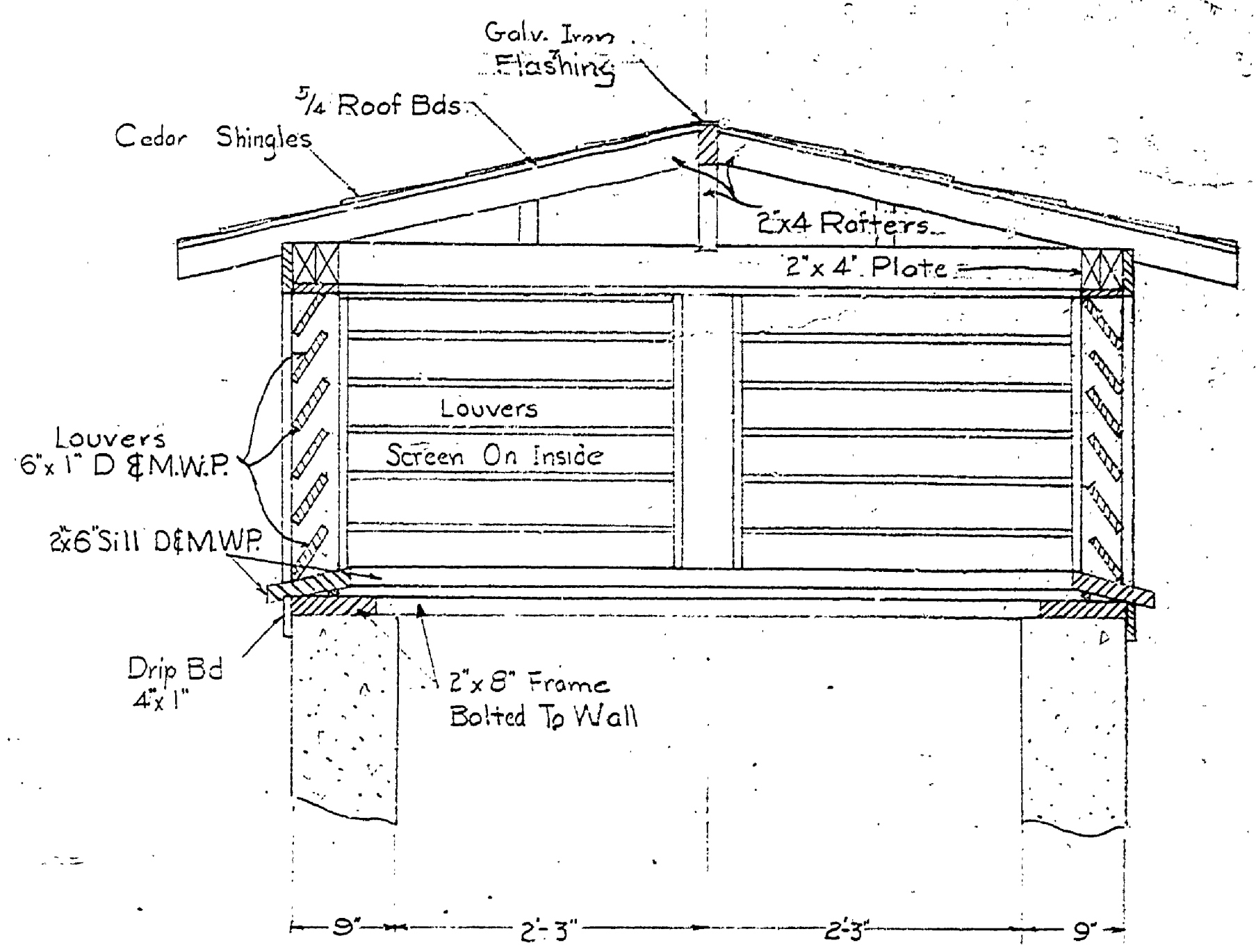
DRAWN BY	CHECKED BY	DATE
<i>[Signature]</i>	<i>[Signature]</i>	10-10-46



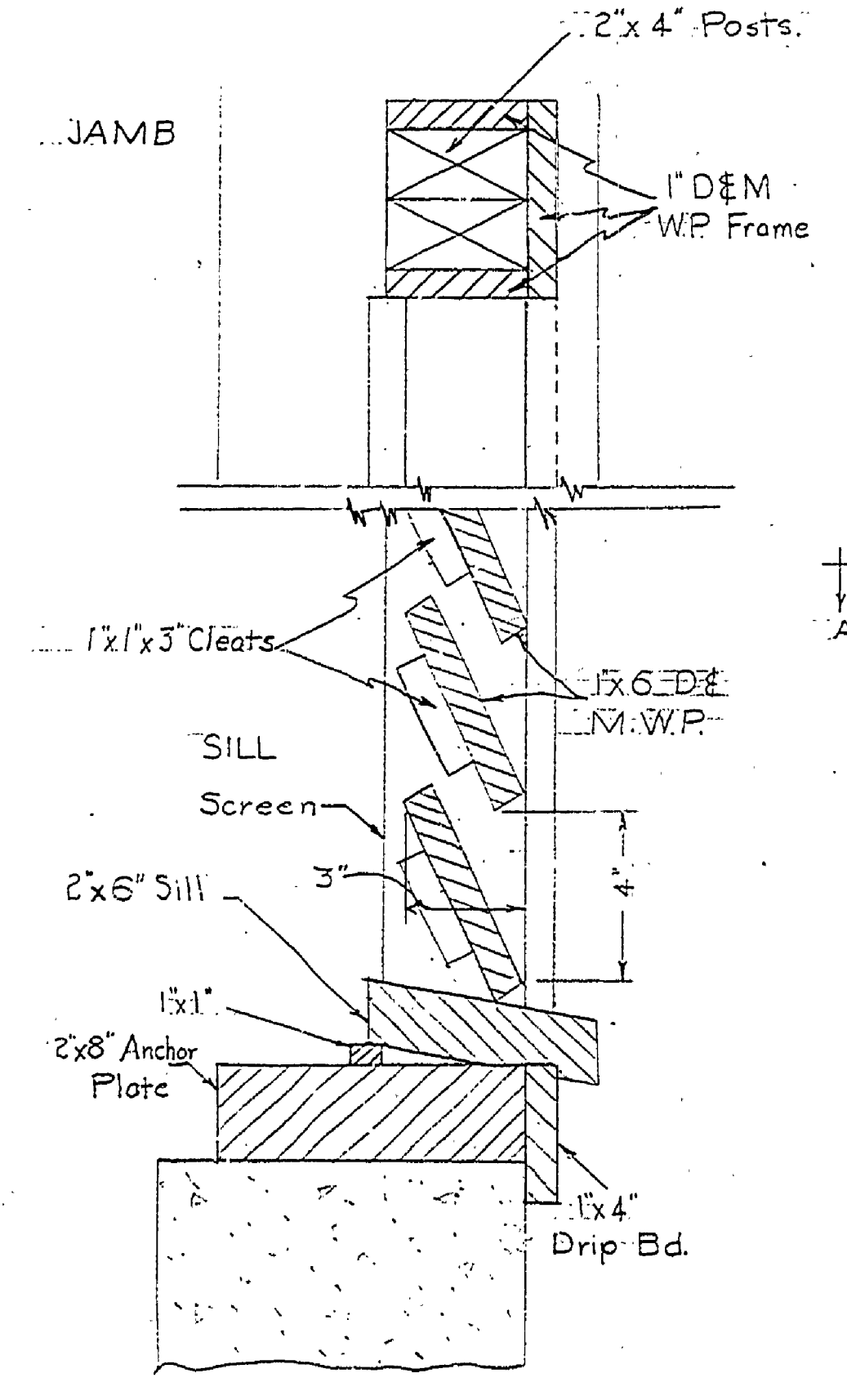
SIDE ELEVATION  
Scale 1"=1'-0"



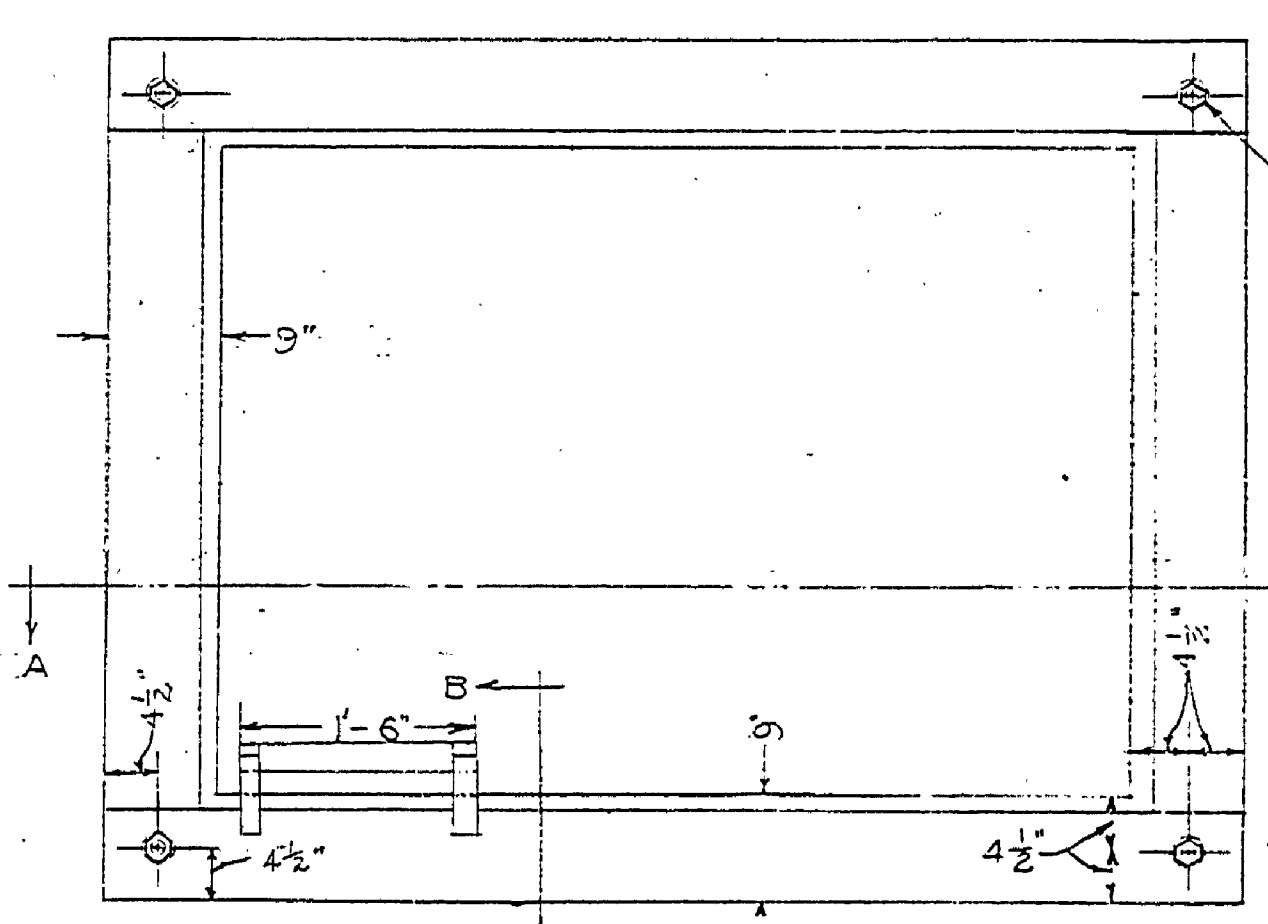
END ELEVATION  
Scale 1"=1'-0"



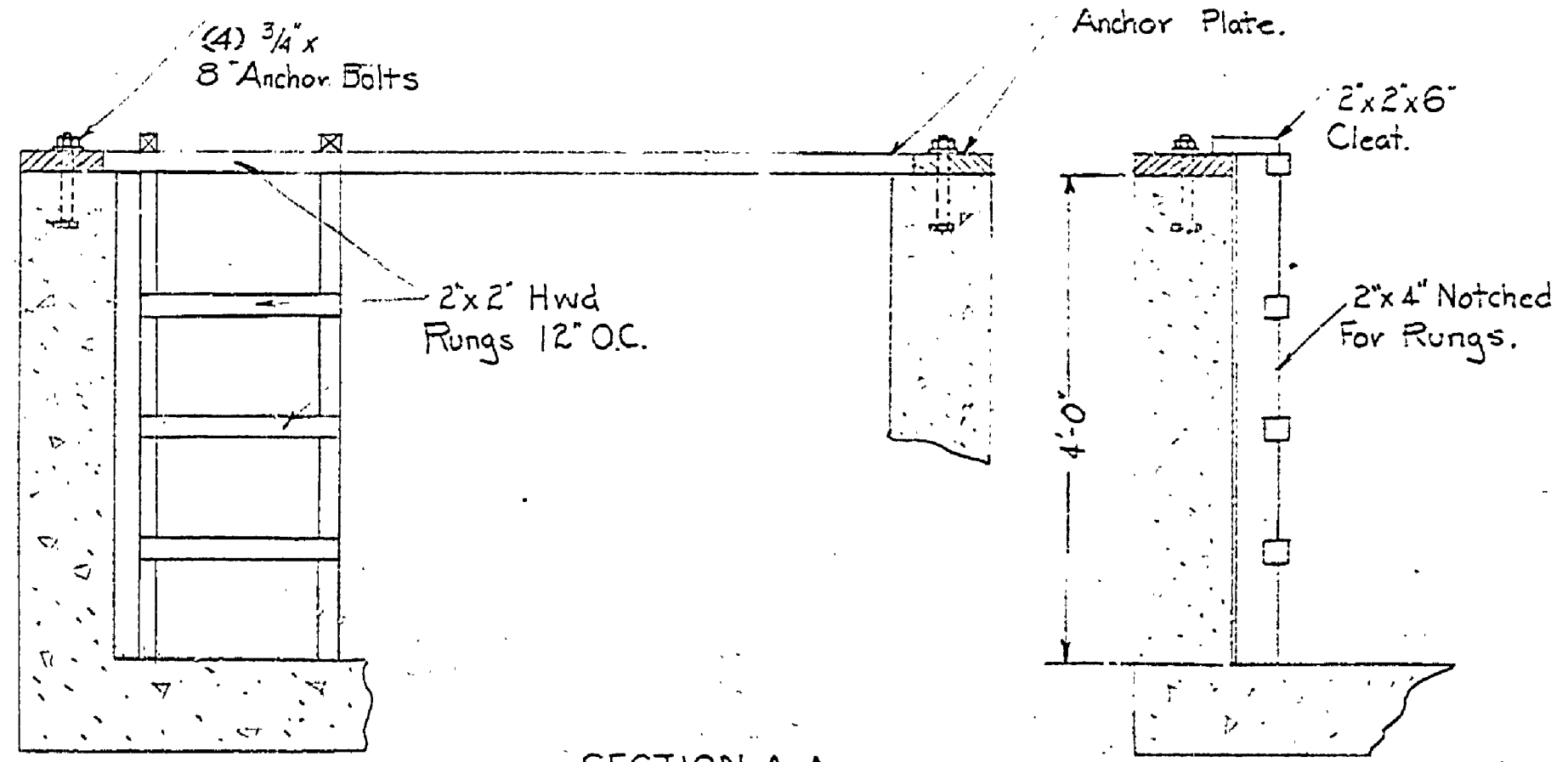
PLAN  
Scale 1"=1'-0"



LOUVER & DOOR SECTIONS  
Scale 3/4"=1'-0"

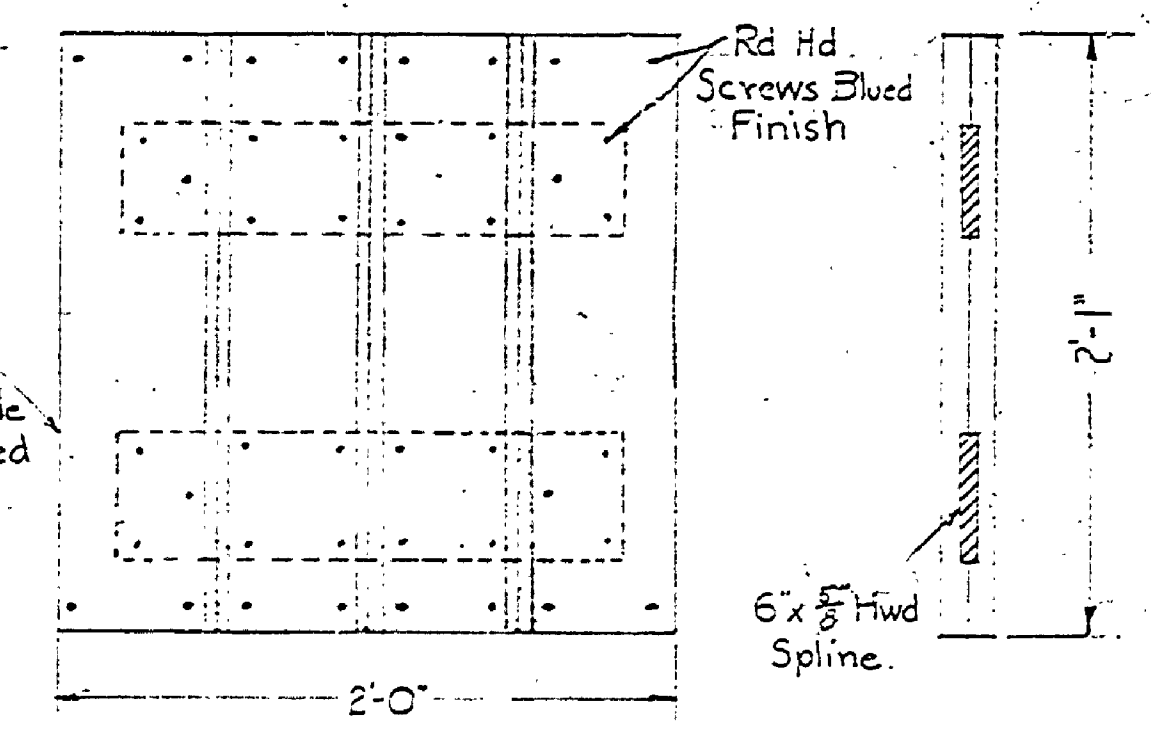


SECTION A-A



SECTION B-B

ANCHOR PLATE & LADDER DETAILS  
Scale 3/4"=1'-0"



DOOR DETAILS  
Scale 1/2"=1'-0"