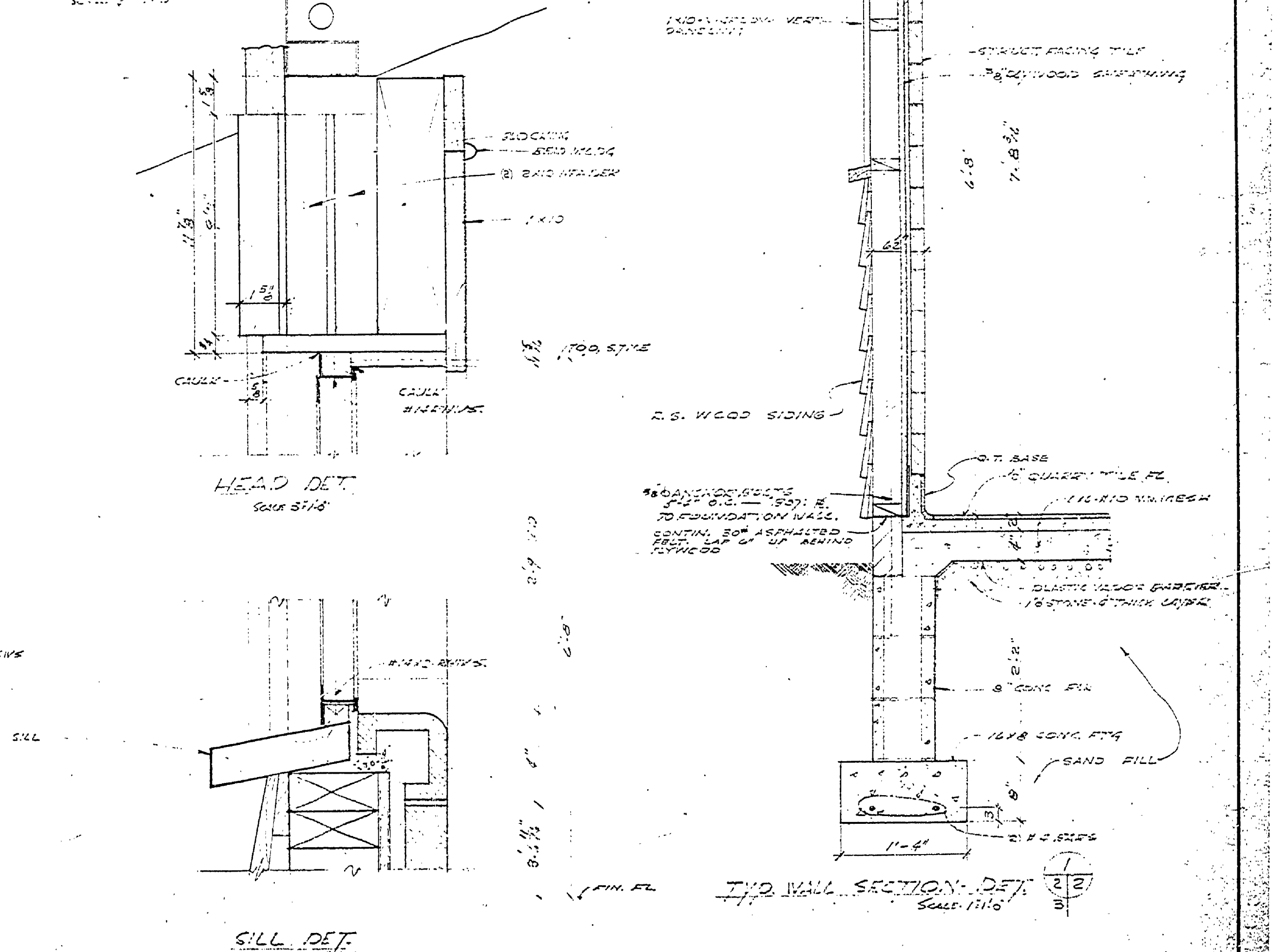
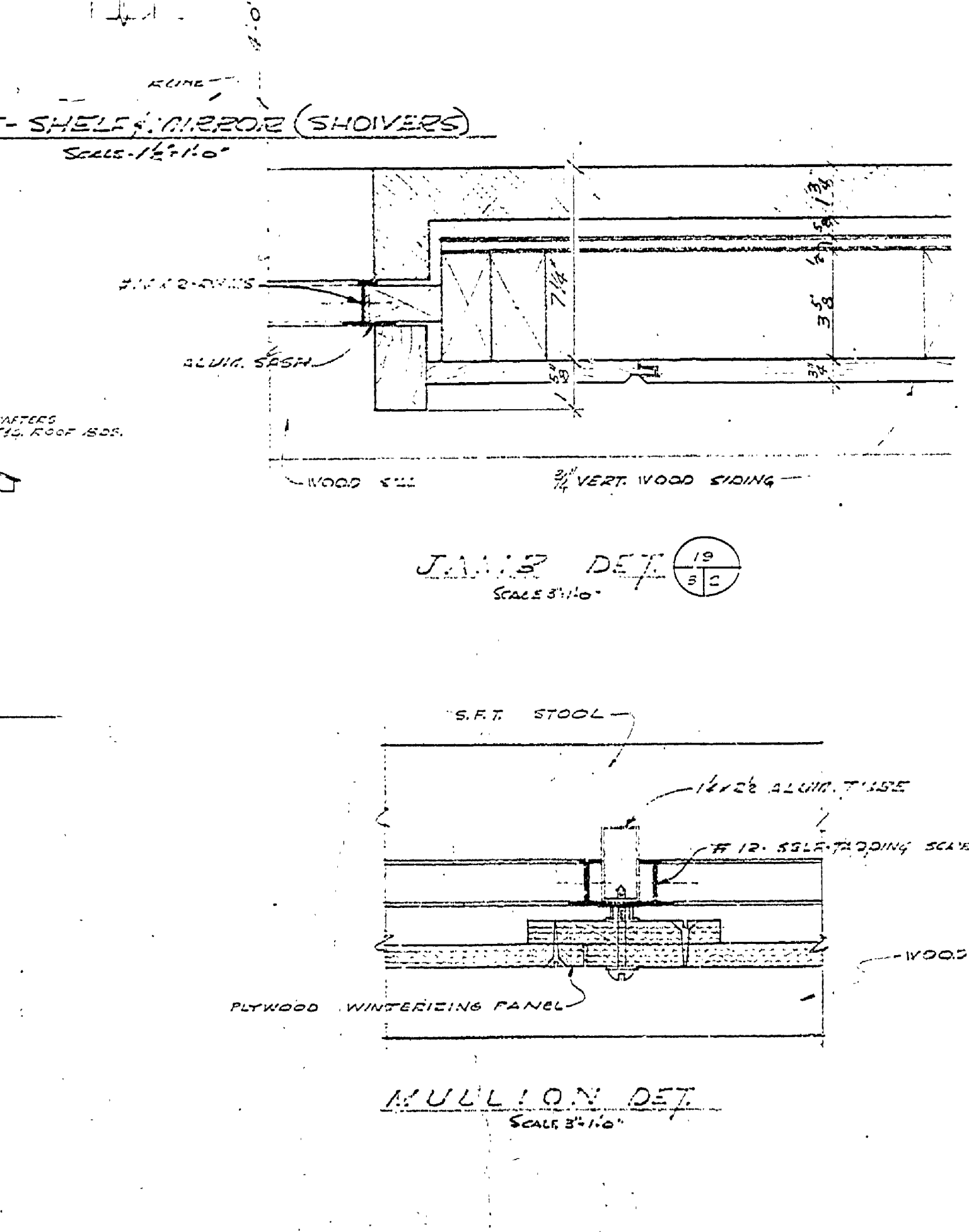
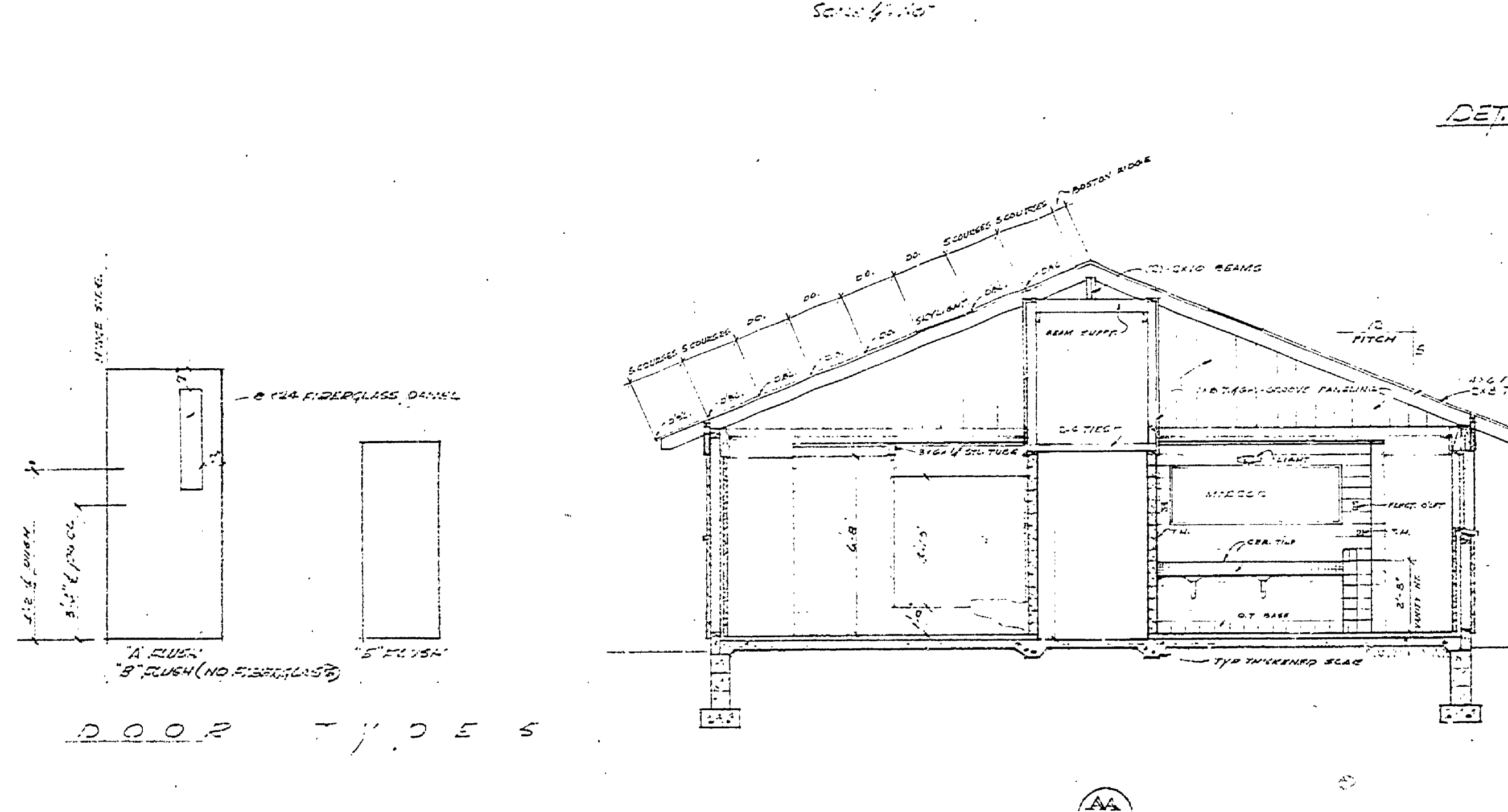
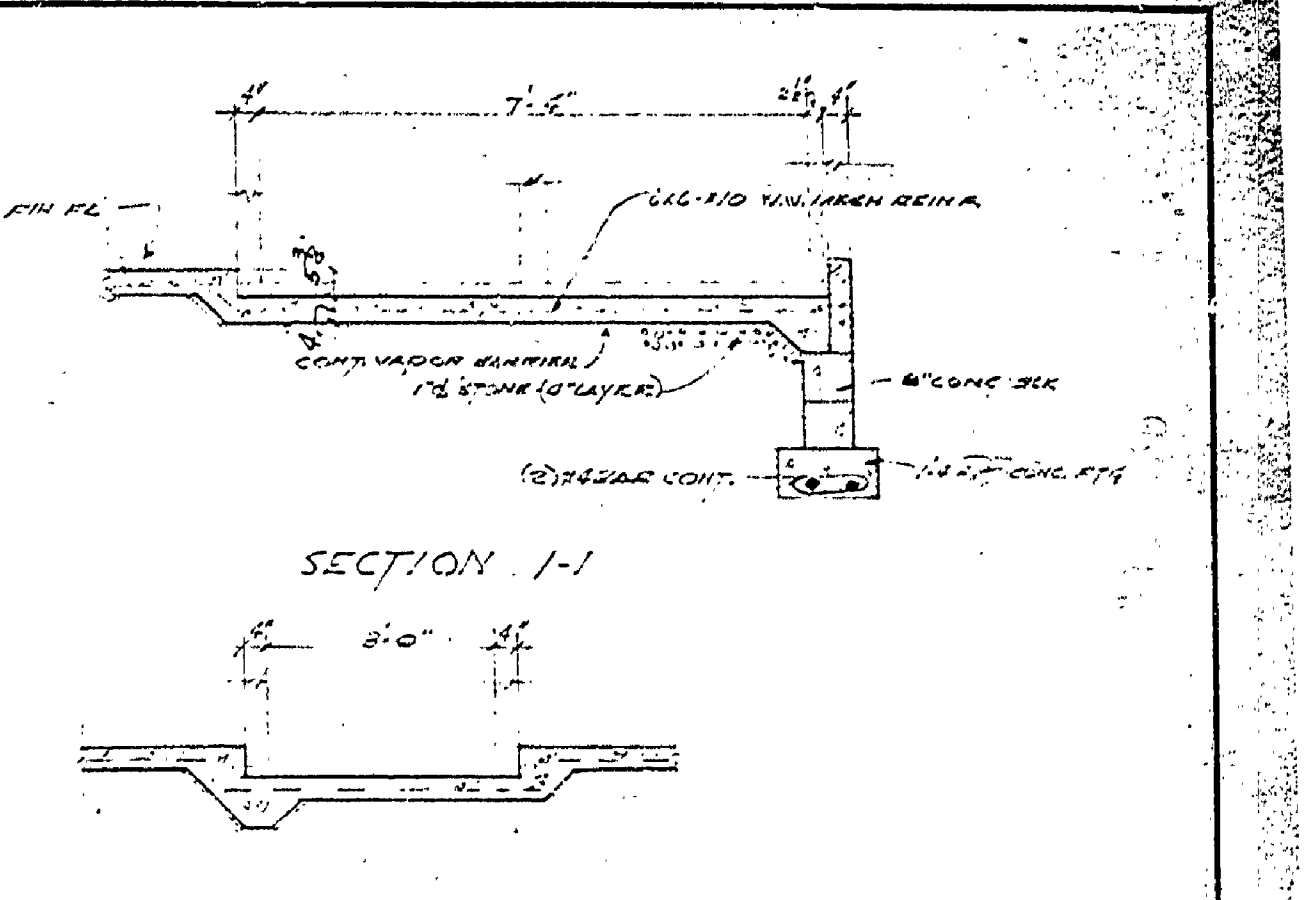
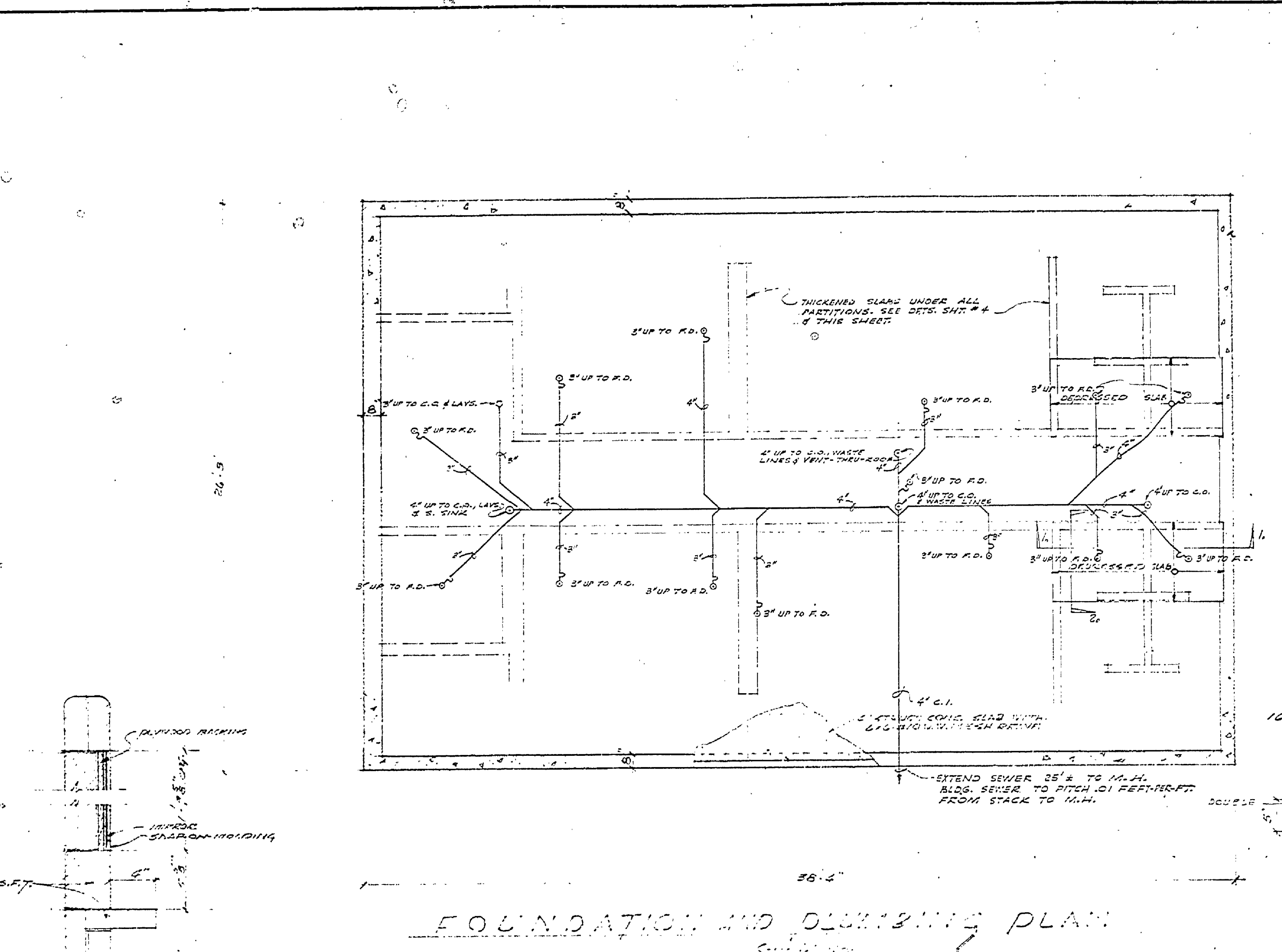
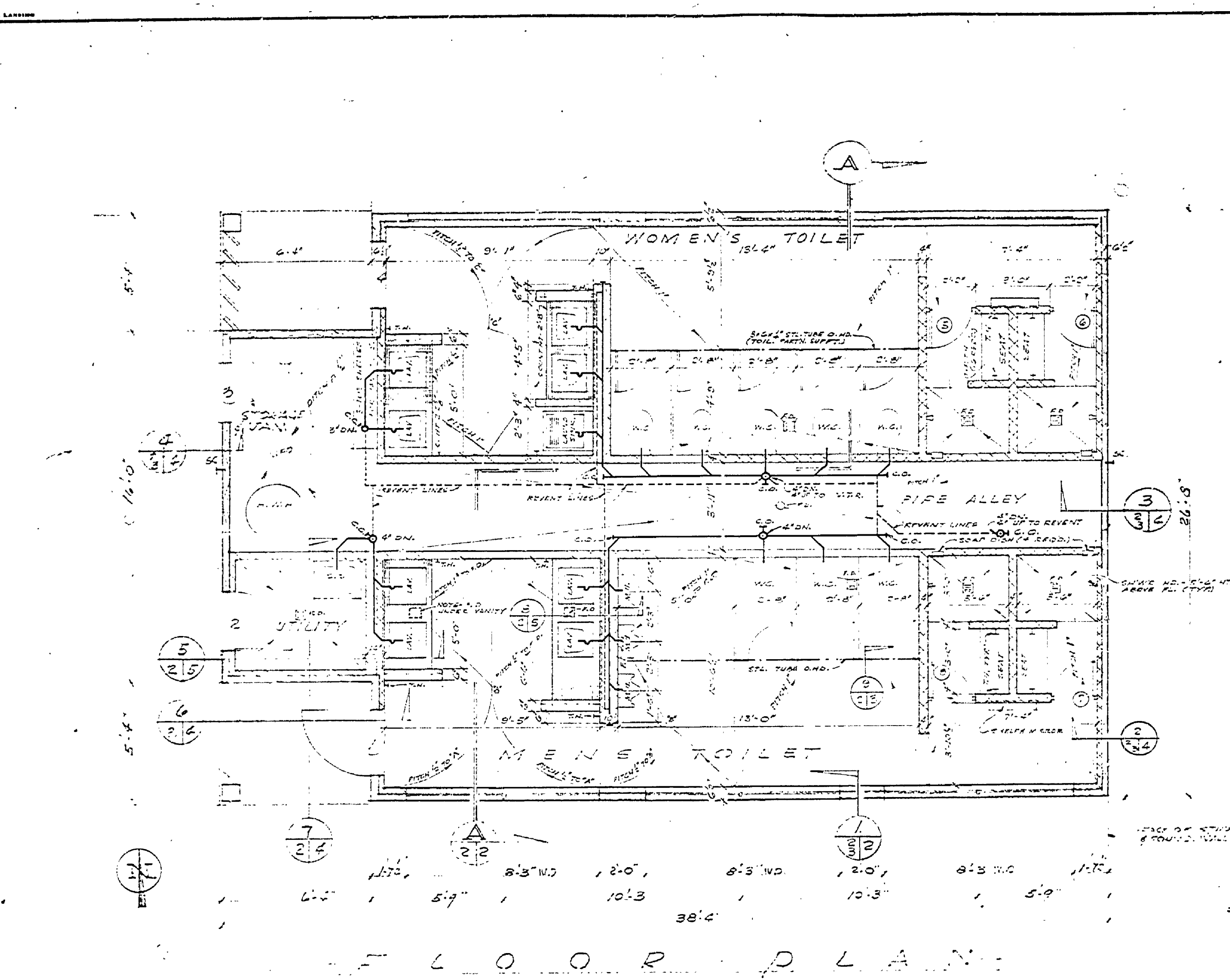


DATE	REVISIONS	DATE	NO.	DATE	NO.	DATE	NO.
	1	5-22-54	1		2		3
	2		2		3		4
	3		3		4		5
	4		4		5		6



ROOMS	FINISH SCHEDULE										REMARKS
	FLOOR	BASE	WALLS	CEILING	WOOD TRIM	WOOD PANELING	GLASS	GLASS	GLASS	GLASS	
WOMEN'S TOILET ROOM	•	•	•	•	•	•	•	•	•	•	
WOMEN'S SHOWER ROOM	•	•	•	•	•	•	•	•	•	•	
MEN'S SHOWER ROOM	•	•	•	•	•	•	•	•	•	•	
MEN'S SHOWER ROOM	•	•	•	•	•	•	•	•	•	•	
UTILITY ROOM	•	•	•	•	•	•	•	•	•	•	PAINTED BRK WALLS
STORAGE PIPE ALLEY	•	•	•	•	•	•	•	•	•	•	

DESIGNATION	TYPE	SIZE	SCHEDULE		REMARKS
			1	2	
1	A	16	22	24	FLUSH-SOLID CASE
2	A	16	22	24	"
3	B	16	22	24	"
4	A	16	22	24	"
5	B	16	22	24	"
6	B	16	22	24	"
7	B	16	22	24	"
8	B	16	22	24	"