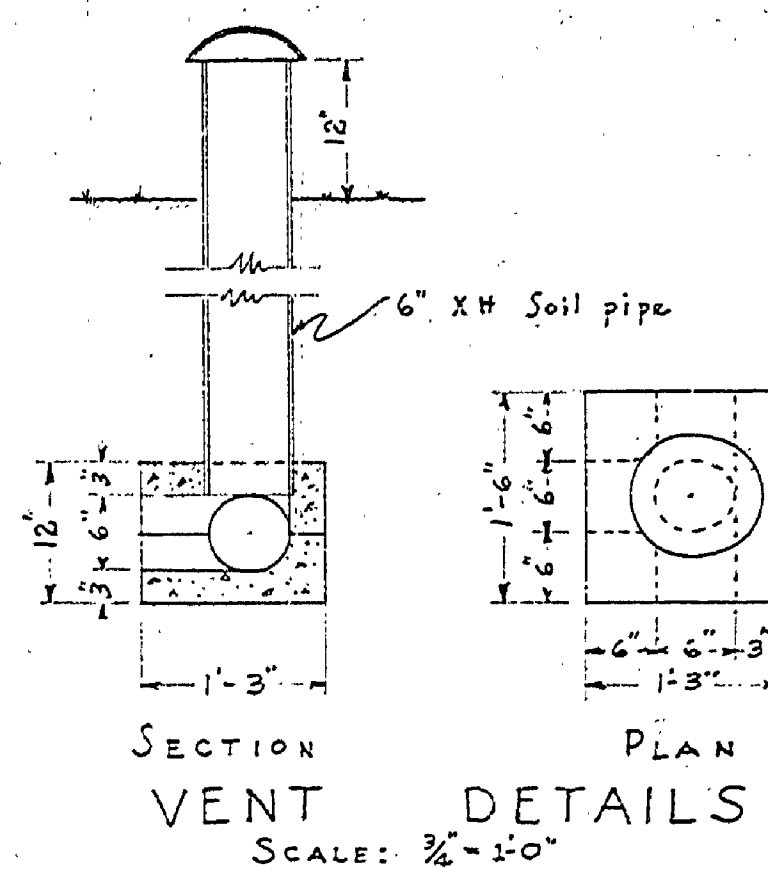
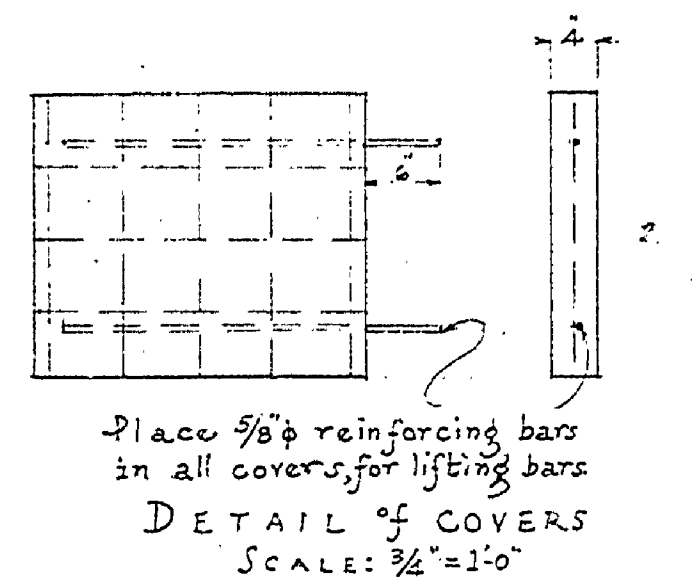


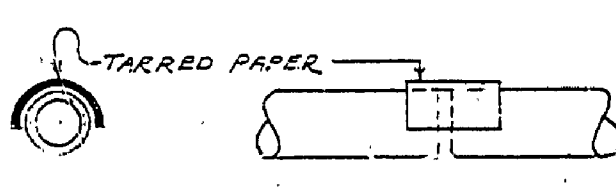
PLAN OF DISPOSAL FIELD  
SCALE 1/4" = 1'-0"



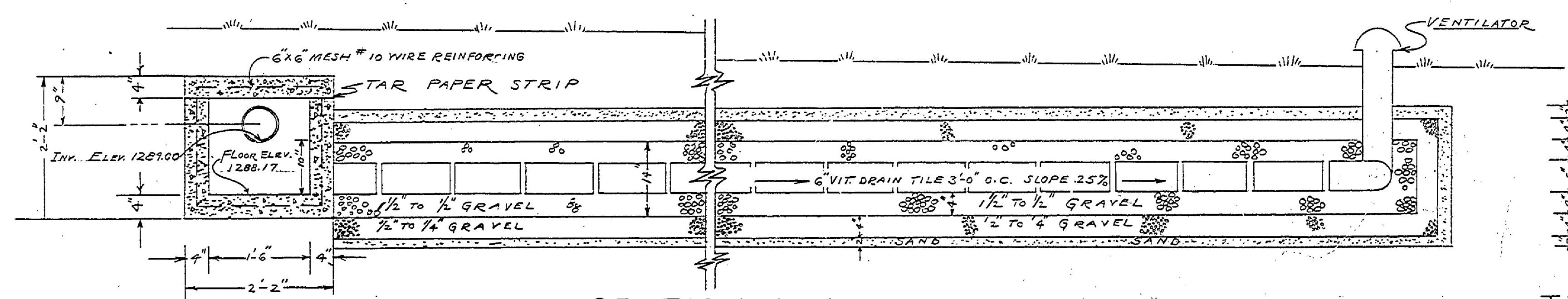
SECTION VENT DETAILS  
SCALE: 3/4" = 1'-0"



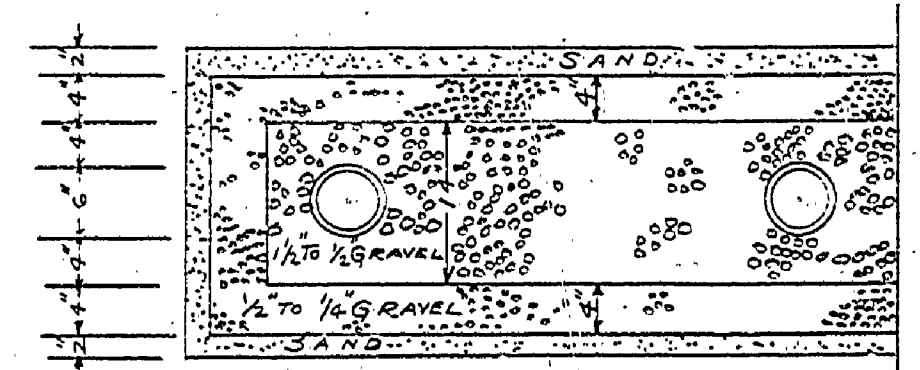
DETAIL OF COVERS  
SCALE: 3/4" = 1'-0"



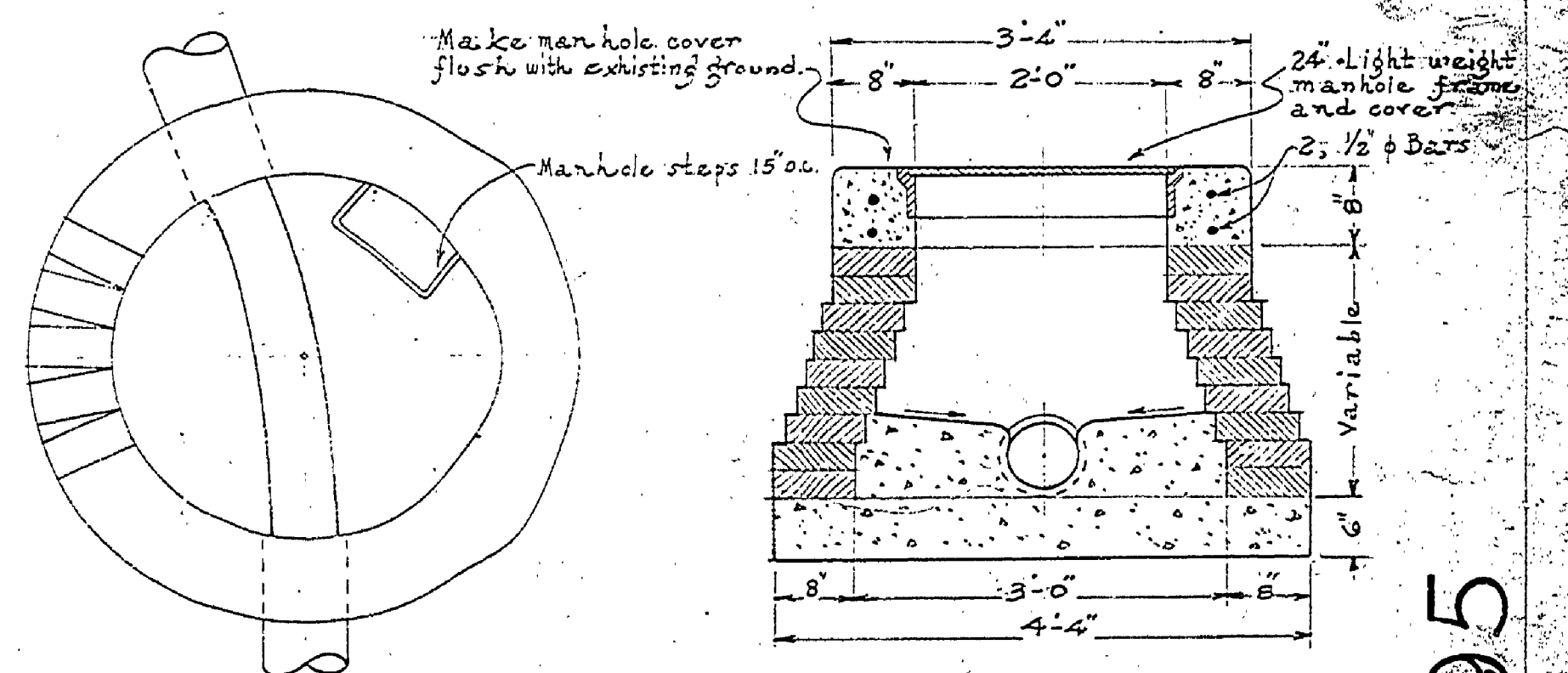
TYPICAL FIELD JOINT  
SCALE 3/4" = 1'-0"



SECTION A-A  
SCALE 3/4" = 1'-0"



TYPICAL X-SECTION OF FIELD  
SCALE 3/4" = 1'-0"



MANHOLE  
SCALE: 3/4" = 1'-0"

Note:  
Floor level of Distribution Box  
15'-3" above proposed legal level  
of Lakes Mitchell and Cadillac  
To conform to U.S.G.S. Levels add 4.04'  
to elevations shown on plan.  
See top plan for U.S.G.S. Bench Marks

Michigan Department of Health  
Bureau of Engineering  
EXAMINED AND APPROVED  
DEC 28 1949  
John M. [Signature]  
CONSTRUCTION PERMIT No. 4074

MICHIGAN DEPARTMENT OF CONSERVATION  
STATE PARKS DIVISION  
DRAWN BY: G.S.  
DESIGNED BY: H.C.M.  
CHECKED BY:  
PREPARED AND APPROVED BY: CHIEF OF STATE PARKS  
APPROVED BY: INSPECTOR  
MITCHELL STATE PARK COMBINED DISPOSAL SYSTEM  
DATE: 2 07 4  
SCALE AS SHOWN  
DATE: \_\_\_\_\_  
DATE: \_\_\_\_\_

E-95