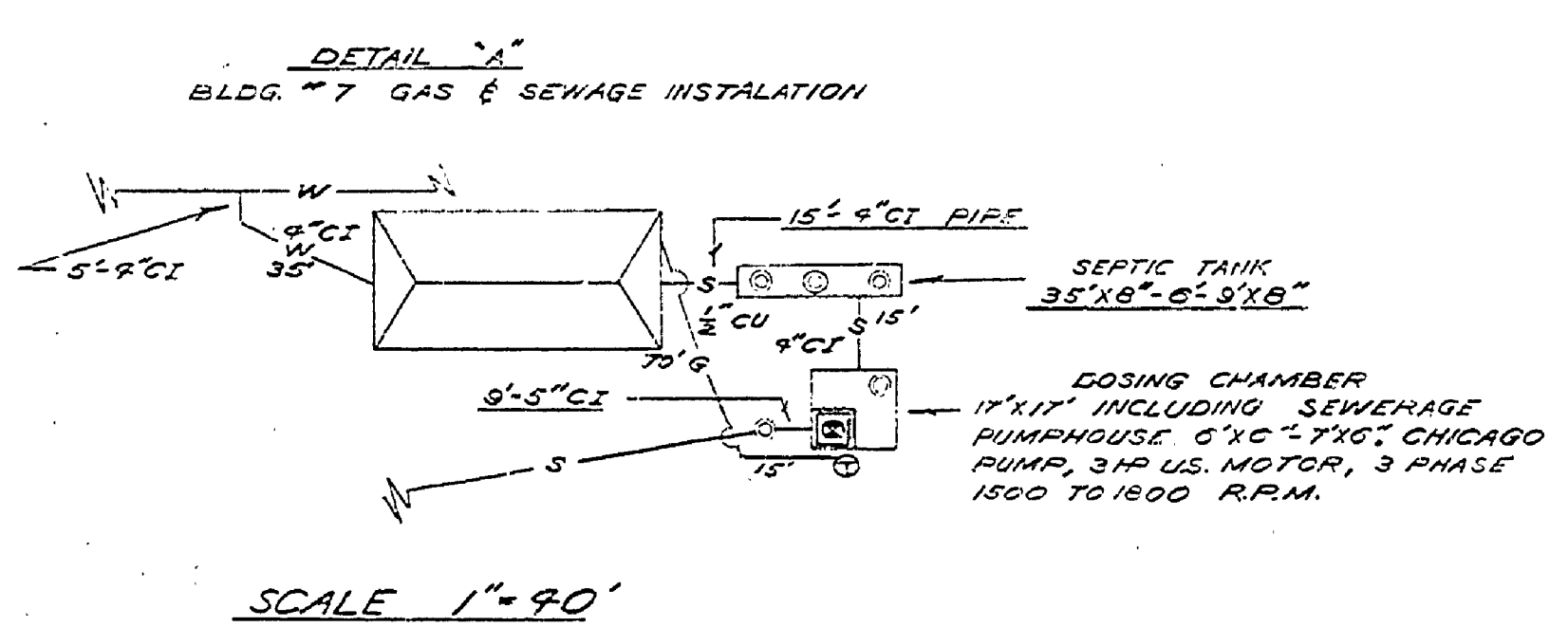
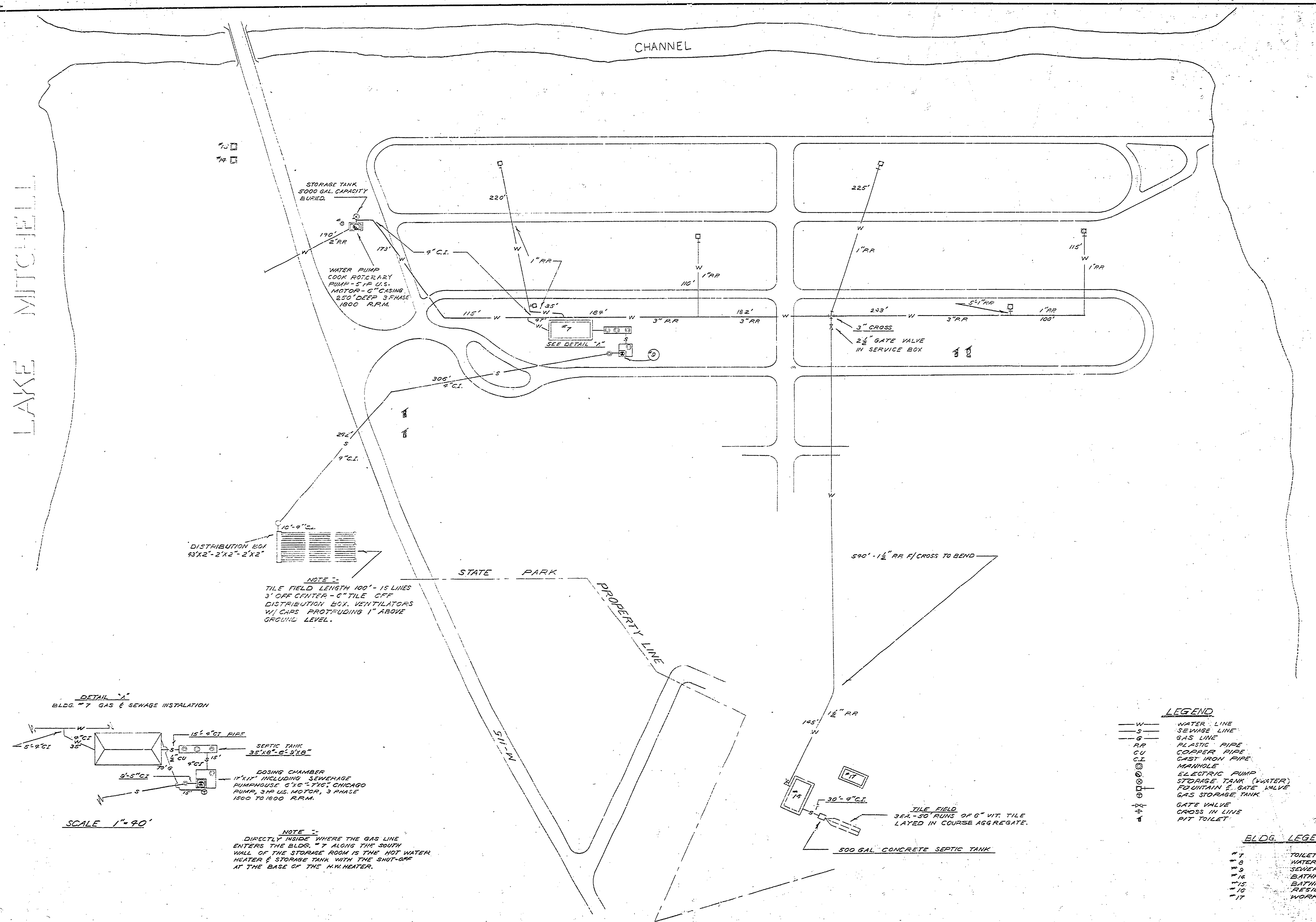


DRAWN BY C.A. [Signature]	CHECKED BY [Signature]	DATE	REVIEWED BY SECTIONS			APPROVED BY H.C. [Signature]	NO. DATE BY	REVISIONS
			ARCHITECTURAL J.I.R. 11-30-57	ENGINEERING J.I.R. 11-30-59	LANDSCAPE J.I.R. 11-30-59			
			ASSISTANT CHIEF IN CHARGE					
			DATE					



NOTE --
DIRECTLY INSIDE WHERE THE GAS LINE
ENTERS THE BLDG. #7 ALONG THE SOUTH
WALL OF THE STORAGE ROOM IS THE HOT WATER
HEATER & STORAGE TANK WITH THE SHUT-OFF
AT THE BASE OF THE HEATER.

WEXFORD COUNTY SCALE 1" = 60'

MICHIGAN DEPARTMENT OF CONSERVATION
PARKS AND RECREATION DIVISION

MITCHELL STATE PARK
UTILITY MAP
WATER SEWAGE & GAS SYSTEM

SHEET NO. 2 OF 2
PLAN NO. U-1

LAKE MITCHELL

LAKE CADILLAC

