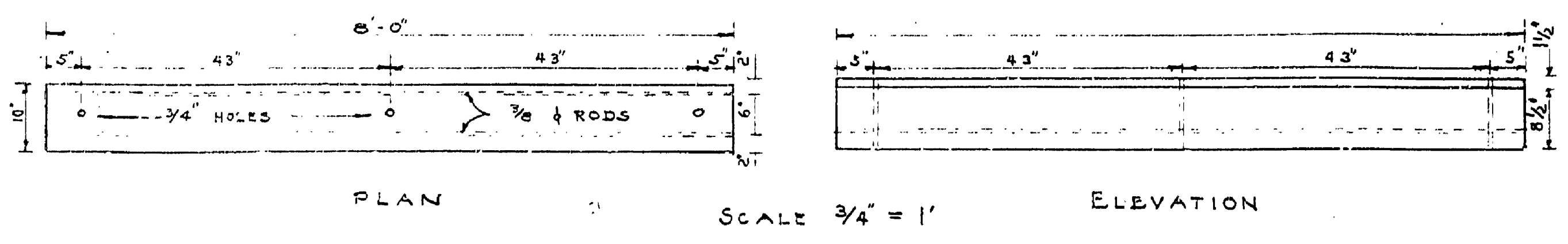
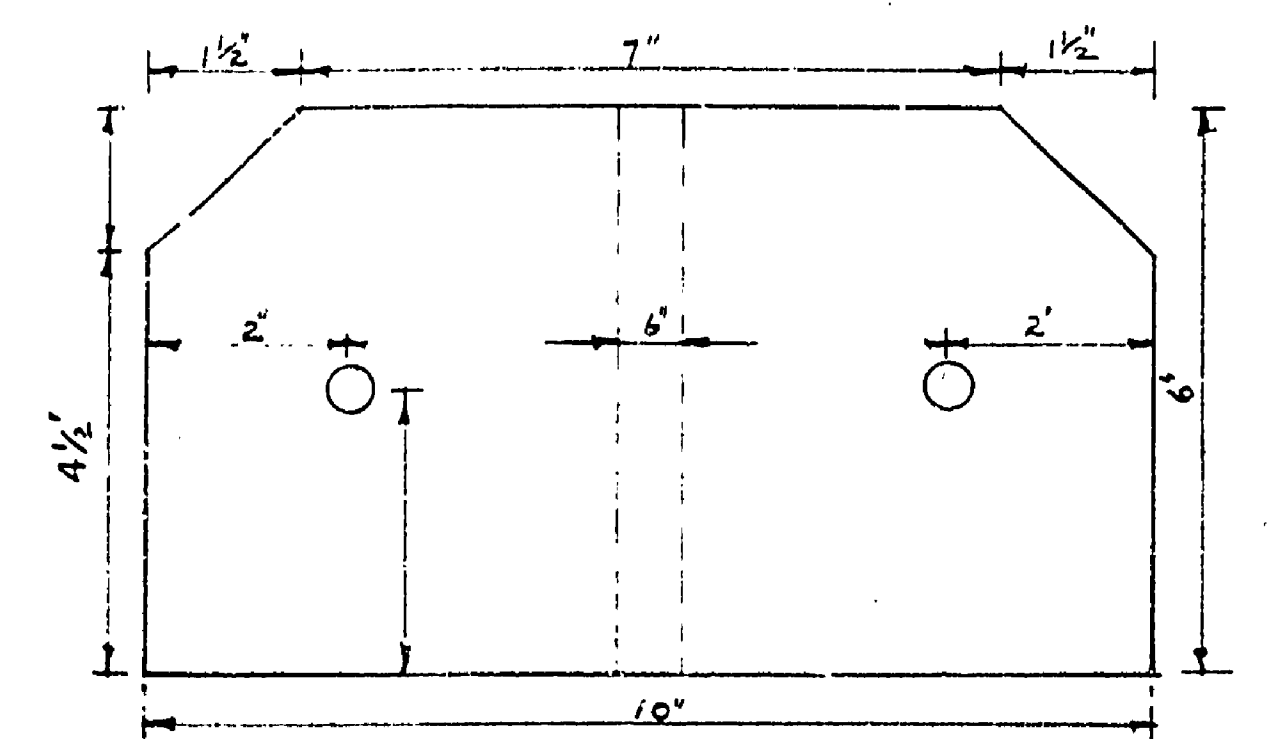


DRAWN BY	L. E. L.	REVIEWED BY SECTIONS	DATE	APPROVED BY	NO.	DATE	REVISIONS
TRACED BY	J.P.P.	ARCHITECTURAL	12-4-59	<i>[Signature]</i>	1		4
CHECKED BY	J.P.P.	ENGINEERING	12-8-59	ASSISTANT CHIEF IN CHARGE	2		5
DATE	NOV. 2, 1959	LANDSCAPE		OF DESIGN	3		6

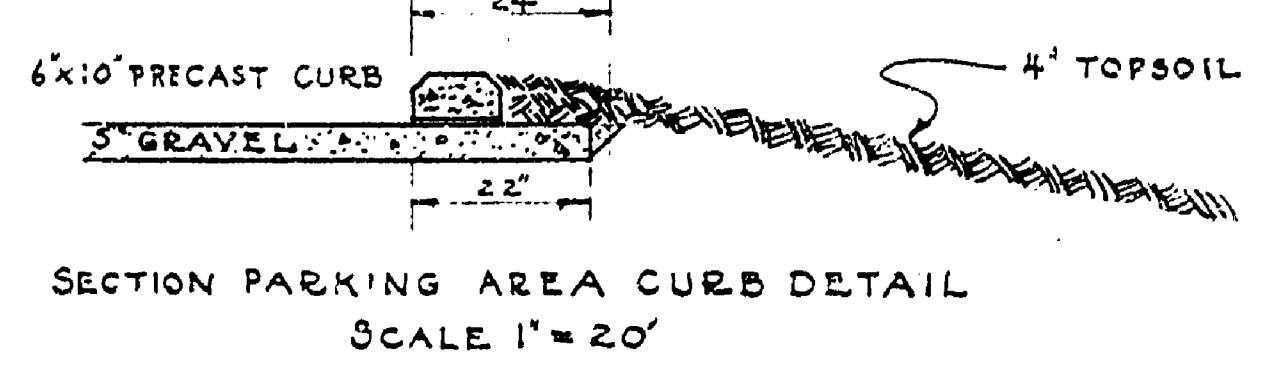
PRECAST CONCRETE CURB DETAILS



SCALE 3/4" = 1'

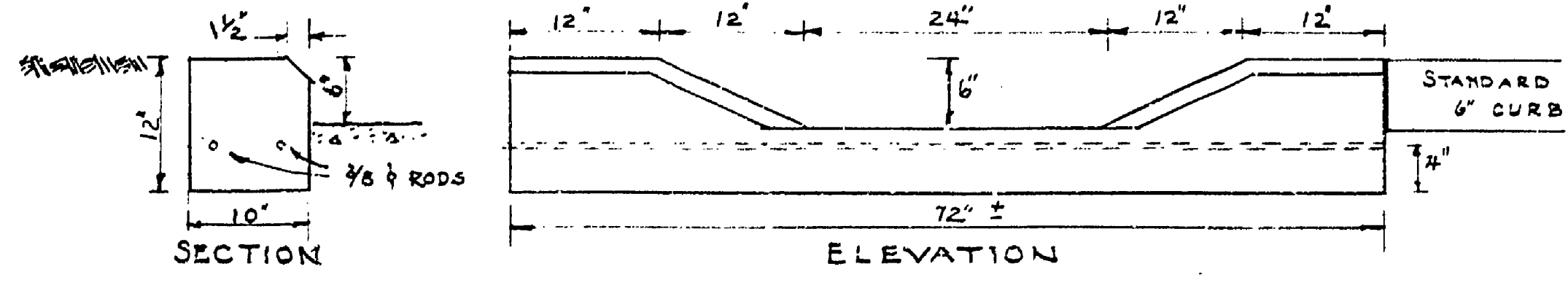


CROSS SECTION SCALE 1/2" = 1'



SECTION PARKING AREA CURB DETAIL SCALE 1" = 20'

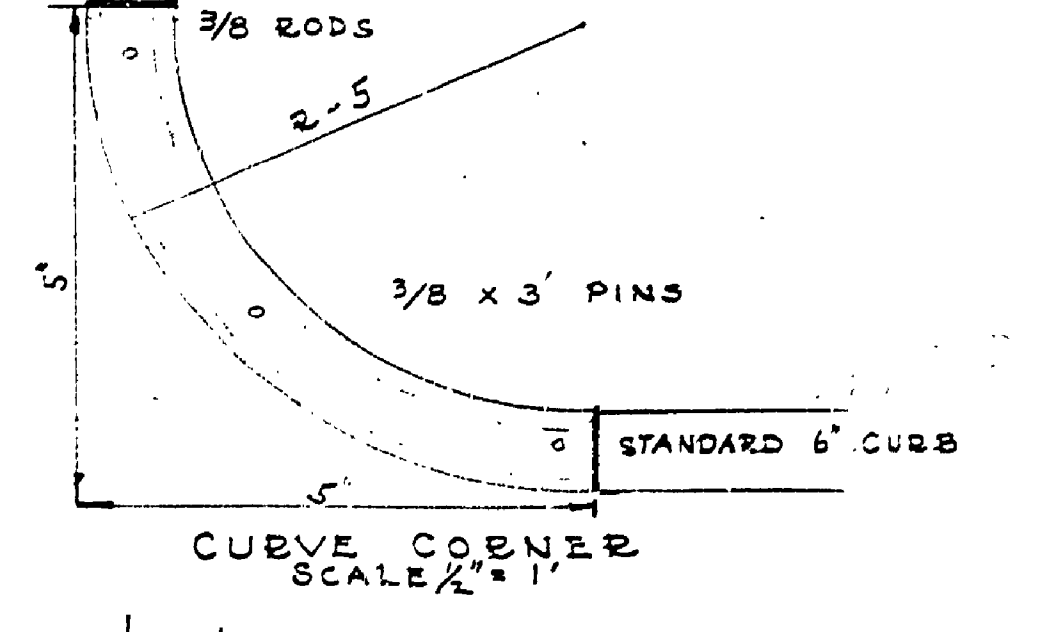
CURB DRAINAGE OPENING DETAIL



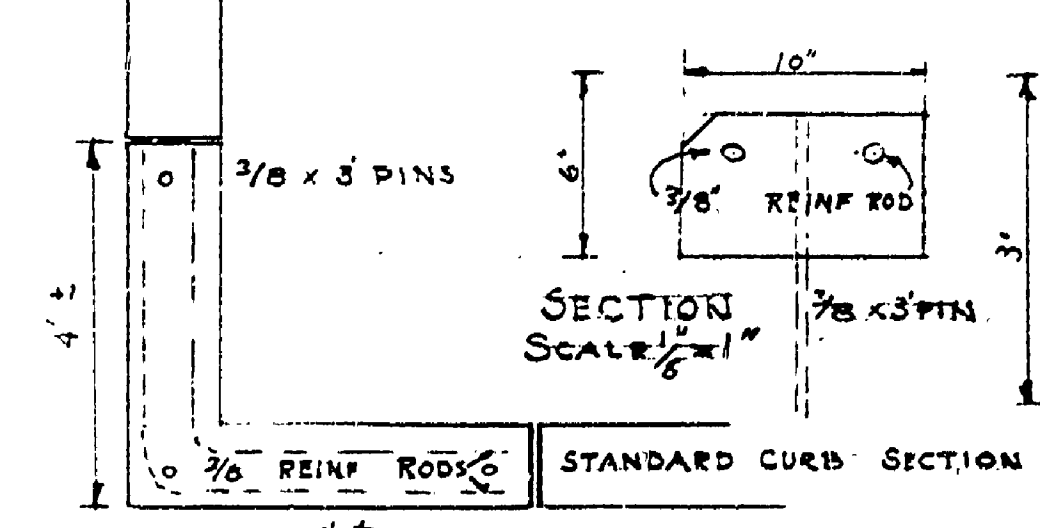
ELEVATION

PLAN SCALE 1" = 1'

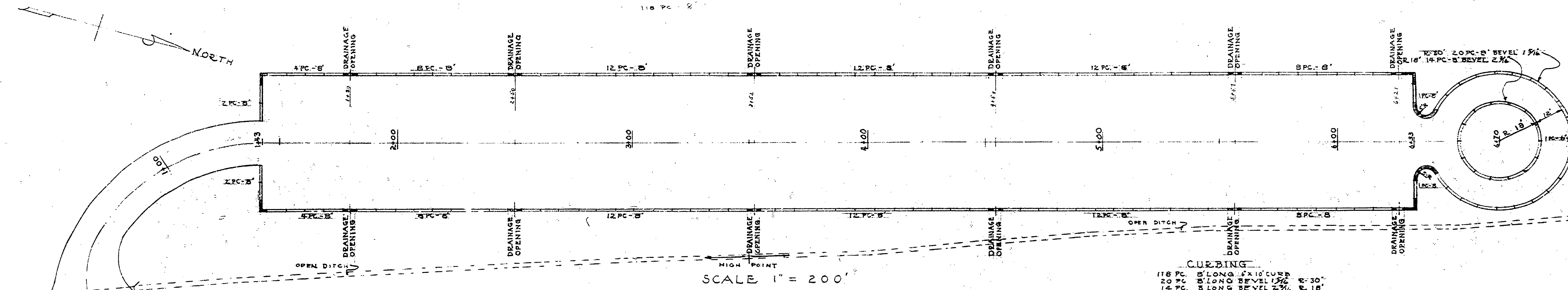
CURVE & CORNER DETAILS (POURED WITH PINS IN PLACE)



CURVE CORNER SCALE 1/2" = 1'



CORNER SECTION SCALE 1/2" = 1'



SCALE 1" = 200'

- CURBING**
- 118 PC. 6' LONG 6" X 10" CURB
 - 20 PC. 6' LONG BEVEL 1 3/8" @ 30°
 - 12 PC. 5' LONG BEVEL 1 3/8" @ 15°
 - CURBING POURED IN PLACE (SHADED SECTIONS)
 - 12 DR. DRAINAGE OPENINGS
 - 2 CORNERS
 - 1 CURVED CORNER
 - 1 6" PC. STANDARD CURB

MICHIGAN DEPARTMENT OF CONSERVATION PARKS AND RECREATION DIVISION

MITCHELL STATE PARK PARKING AREA CURB DETAILS

SHEET NO. 3 OF 3 PLAN NO. L-104